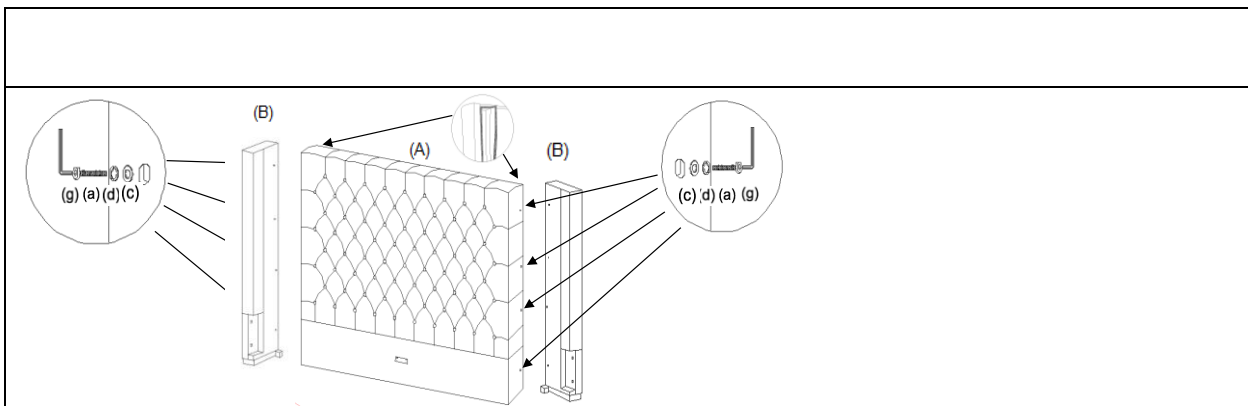


Brittany Bed Assembly Instruction

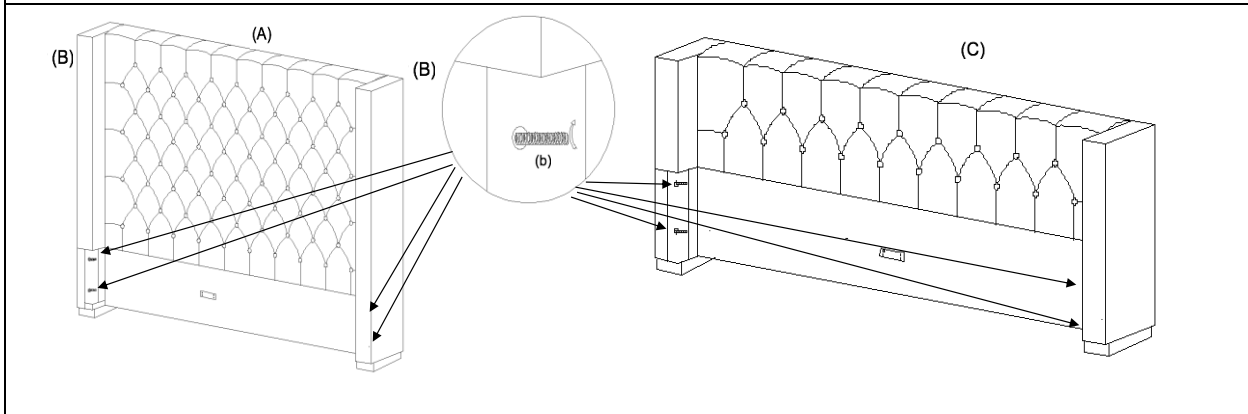


Have 2 adults on hand for assembly

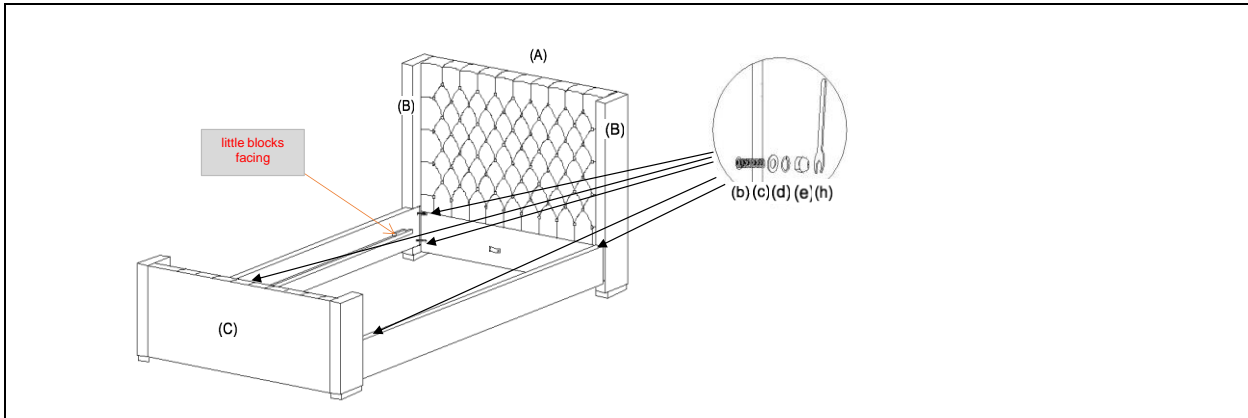
Headboard (A) 1 pc	Wing (B) 2 pcs	Footboard (C) 1 pc	Side rail (D) 2 pcs	
Slat (E) 1 set		Middle leg rail (F) 1pc	size:40*40*185mm	size:M8*30mm
size:M8*70mm	size:Ø 22mm	size:Ø 8mm		
Threaded bolt (b) 8 pcs	Flat washer (c) 6 pcs	Bent washer (d) 6 pcs	Cup nut (e) 8 pcs	Plastic washer (f) 2 pcs
Ø:5mm	Ø:14mm			
Allen wrench (g) 1 pc	Wrench (h) 1 pc			



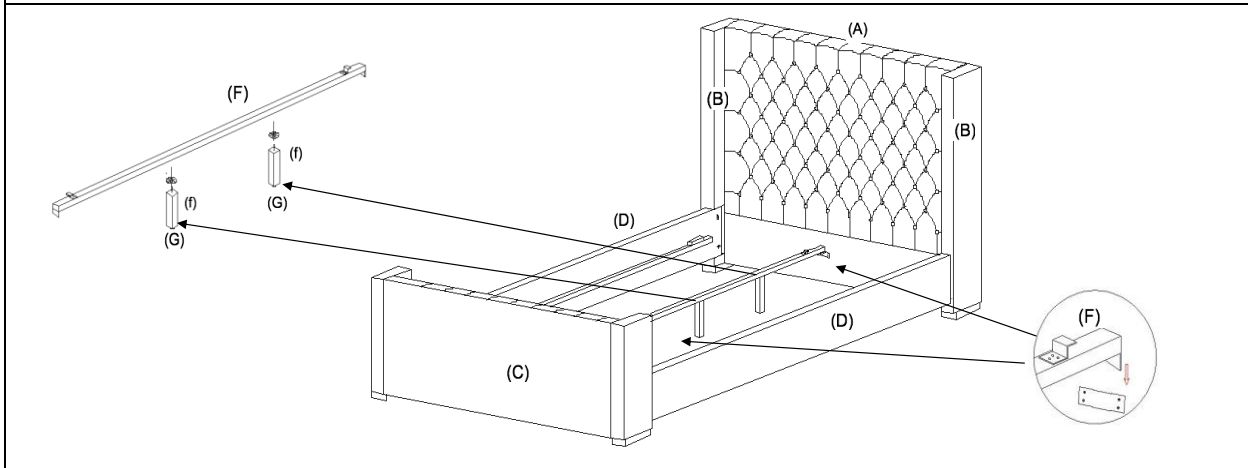
Step 1. Put the Headboard (A) upon to the L shape legs of Wing (B) and install the Wings, tighten the Inner hexagon screws (a), and veil the dust cover.



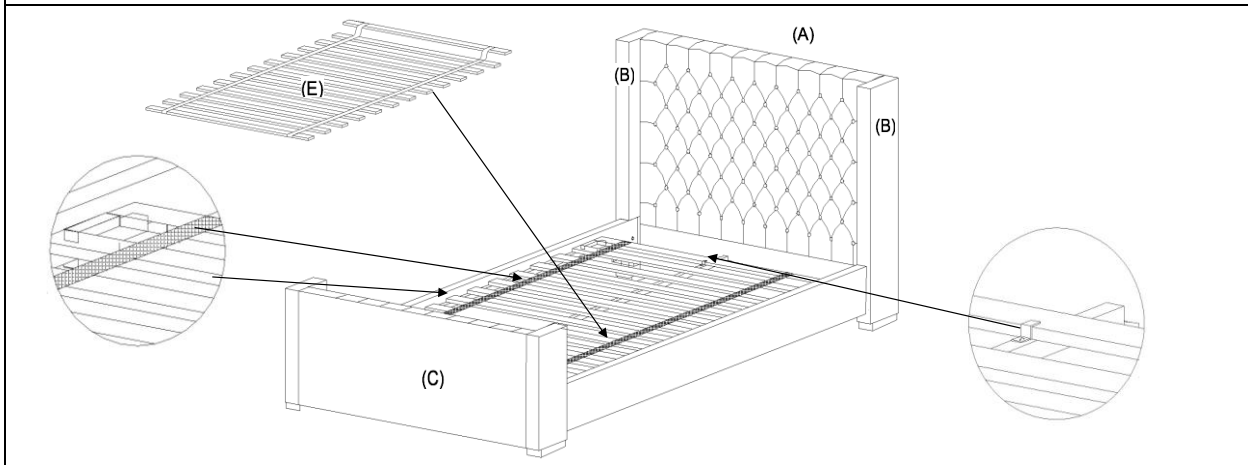
Step 2. Screw in the Threaded bolt (b) to the Wing (B) and Footboard (C), and tighten the Threaded bolts by hand.



Step 3. Install the Side rail (D) into the Wing (B) and Footboard (C) as picture shown, make sure the little blocks is facing upwards. Tighten the Cup nut (e), Bent washer (d) and Flat washer (c) with Wrench (h).



Step 4. Install the Middle leg (G) with Plastic washer (f) into Middle leg rail (F), and plug into the brackets in Headboard and Footboard. There is an adjuster under the Middle leg, you may need to adjust it a little bit to touch the floor.



Step 5. Put the Slat (E) on the rails, lock it as shown and make it parallel.

CAUTION: Do not attempt to move the bed when fully assembled. This could result in damage to the rails, headboard, or footboard.