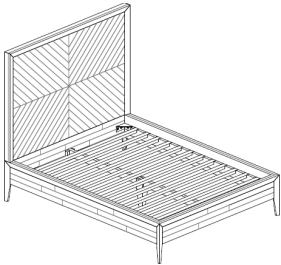




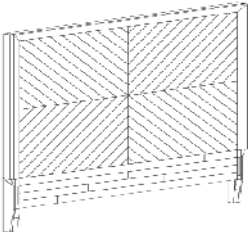
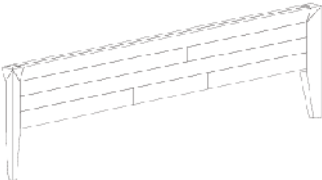
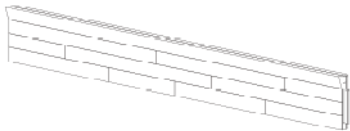
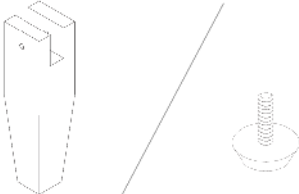


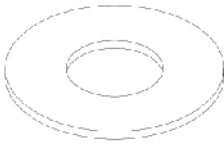
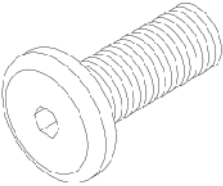
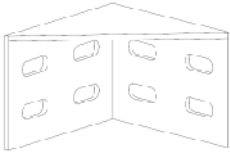
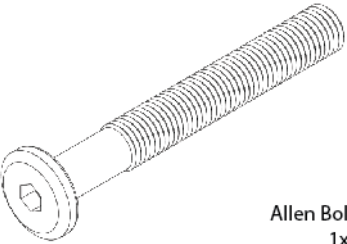

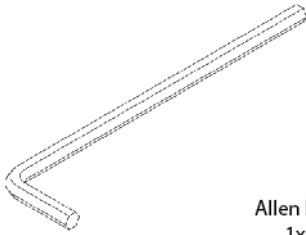
# Aubrey King and Queen beds

! Do not throw away packaging materials until assembly is complete.  
 ! Assemble this item on a soft surface, such as cardboard or carpet, to protect finish.  
 ! Proper assembly of this item requires 2 people.



**Care instructions :**  
 Hardware may loosen overtime. Periodically check that all connections are tight.  
 Wipe with a soft dry cloth. To protect finish, avoid the use of chemicals and households cleaners.

## Parts

 <p>Headboard 1x</p>	 <p>Footboard 1x</p>	 <p>Side rails 2x</p>
 <p>Central leg 1x</p> <p>Leveler 1x</p>	 <p>Central rail 1x</p>	 <p>Slats 12x</p>
 <p>Washer 34x</p>	 <p>Allen Bolts 32x</p>	 <p>Metal Corner 4x</p>
 <p>Allen Bolt-long 1x</p>	 <p>Nut 1x</p>	 <p>Allen key 1x</p>

1. Align siderails perpendicularly to bed head (A). Insert allen bolts (H) and washers (G) in the metal corner (I) holes. Tighten with allen key (L). Follow same procedure with the footboard(B).
2. Insert midrail (E) in the groove as shown.
3. Position the central foot (D) under the midrail (E). Insert allen bolt - long (J) and washers (G) with the nut (K). Tighten with allen key (L) .
4. Put each slats rails (F) between siderails as shown

