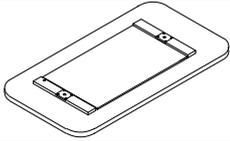
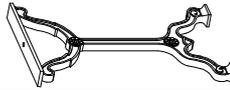
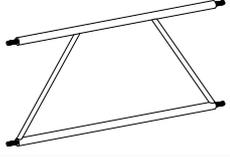
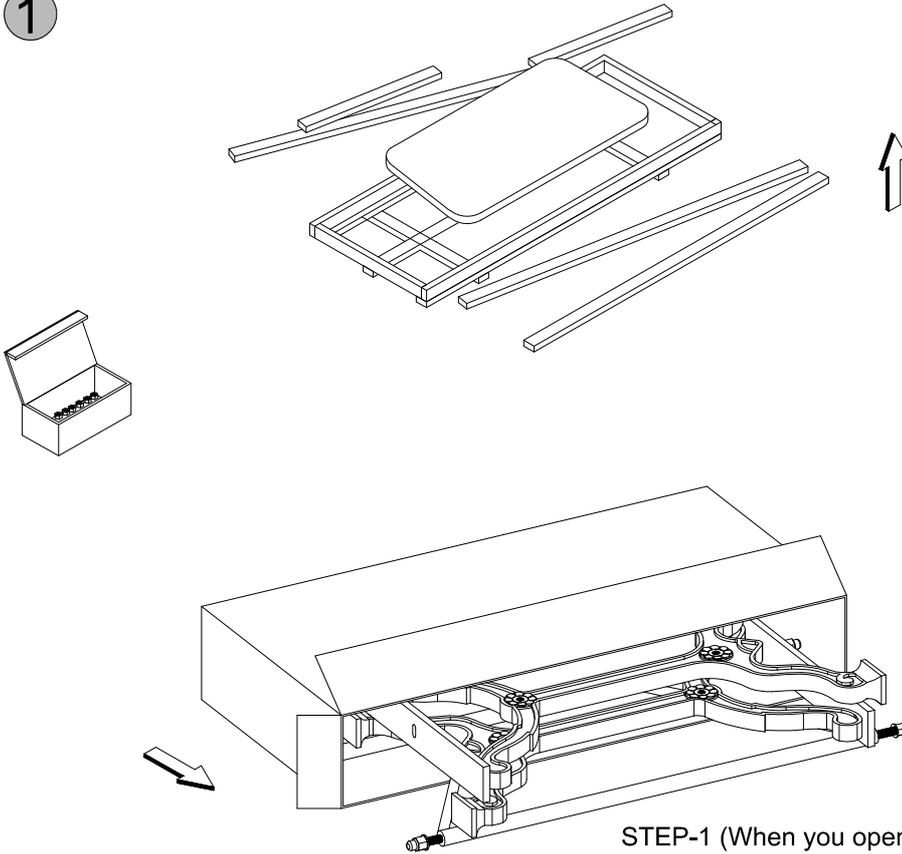


ARIA DINING Table

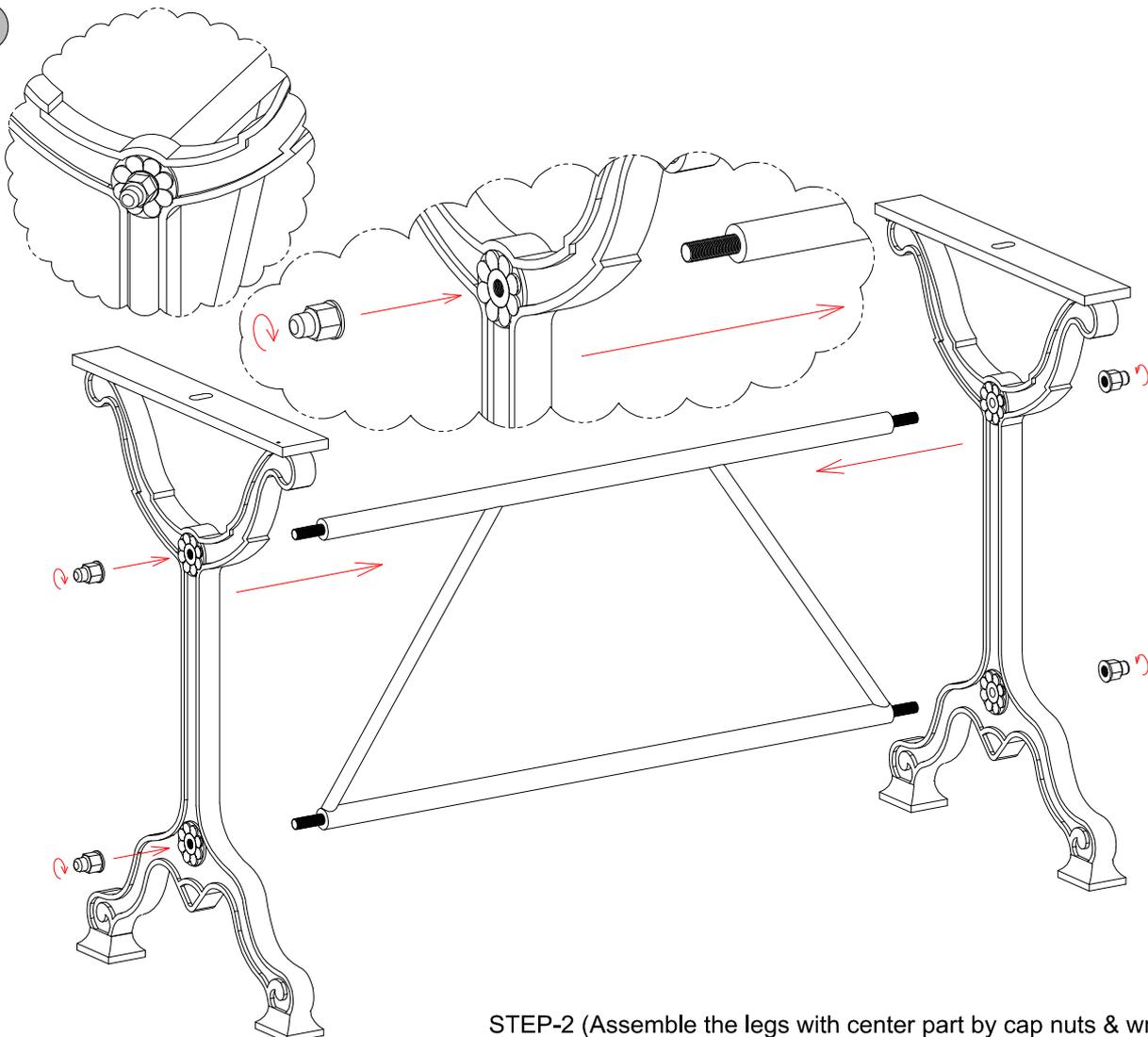
	1
	2
	1
	4
	1
	1
	2
	2

1



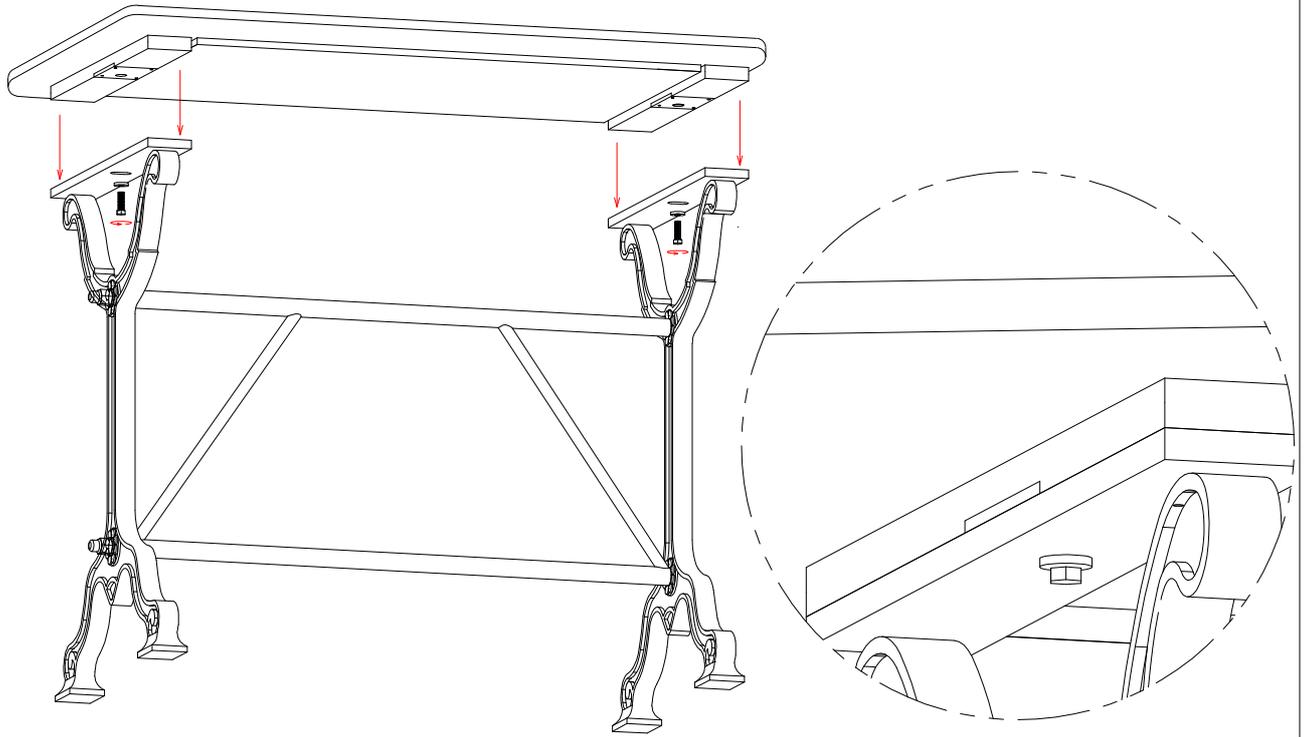
STEP-1 (When you open the carton you will find above peices and tools).

2



STEP-2 (Assemble the legs with center part by cap nuts & wrench).

3



STEP-3 (Assemble base and top).

4

