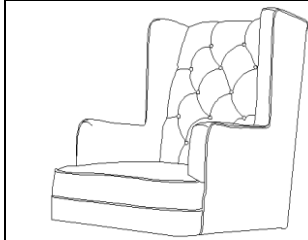
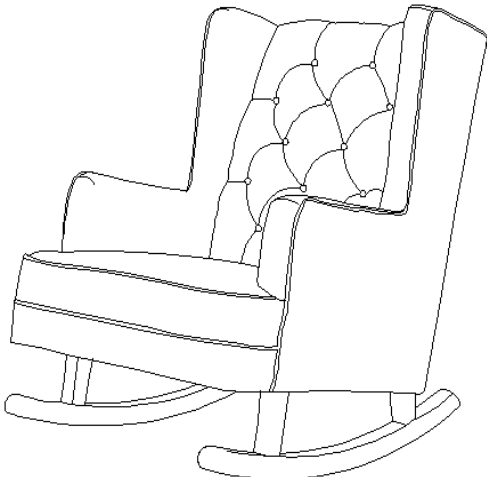
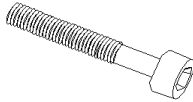
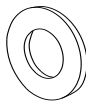




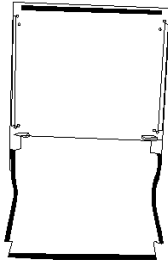
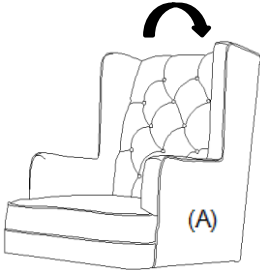


Alyson Rocker Assembly Instruction

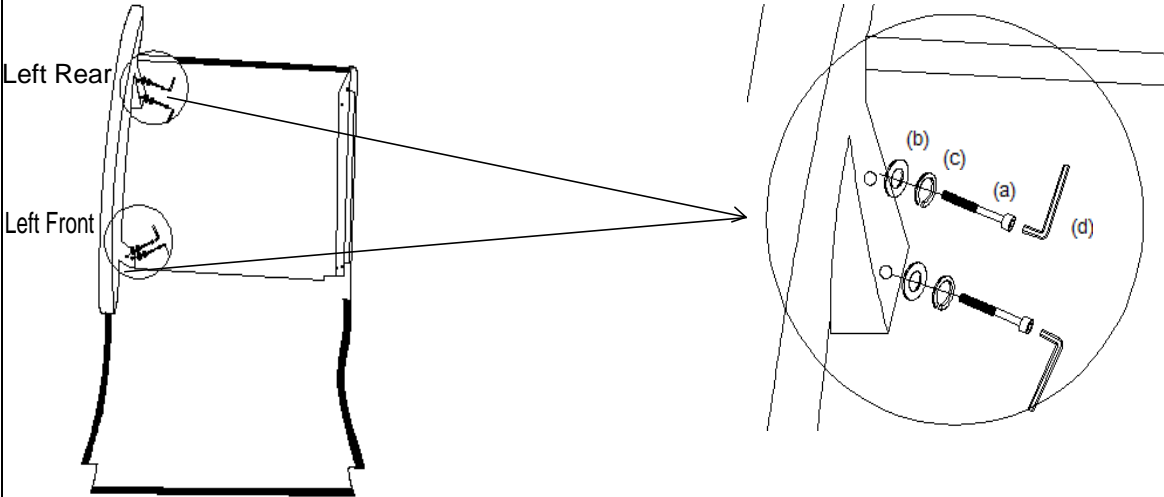


Chair 1pc (A)

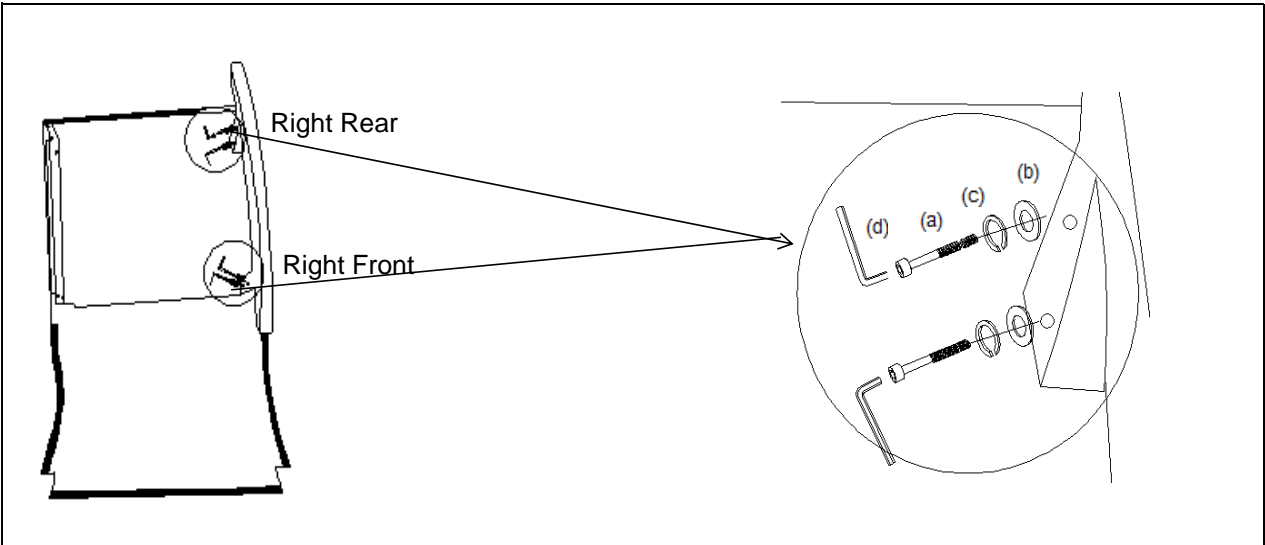
 sizes:M8*60mm	 size:Ø 22mm		 6mm		
Inner hexagon screw (a) 8pcs	Flat washer(b) 8pcs	Bent washer(c) 18pcs	Allen Key (d) 1pc	Right leg (R) 1pc	Left leg (L)1pc



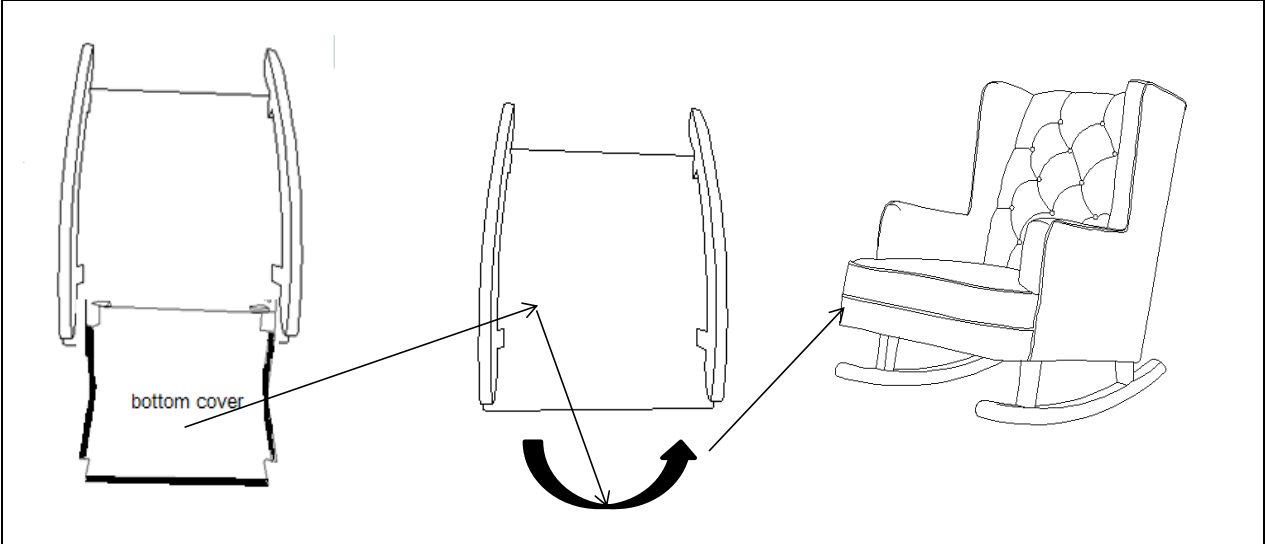
Step 1. Turn over the chair and open the bottom cover as the picture shown.



Step 2. Install the Left leg (L) to the Chair with Flat washer (b) , Bent washer (c) , Inner hexagon screw (a) by Allen Key (d).



Step 3. Install the Right leg (R) to the Chair with Flat washer (b) , Bent washer (c), Inner hexagon screw (a) by Allen Key (d) .



Step 4. Stick the bottom cover with the velcro and turn over your chair as the picture shown.