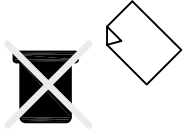


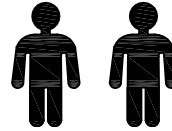
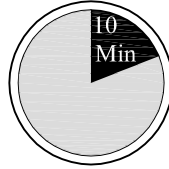
# HINTS & TIPS



# Assembly Instruction



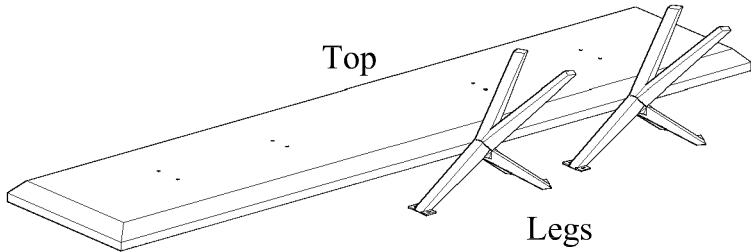
Please retain this assembly instruction for future use.


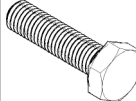
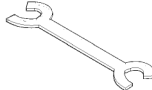


This assembly requires two people

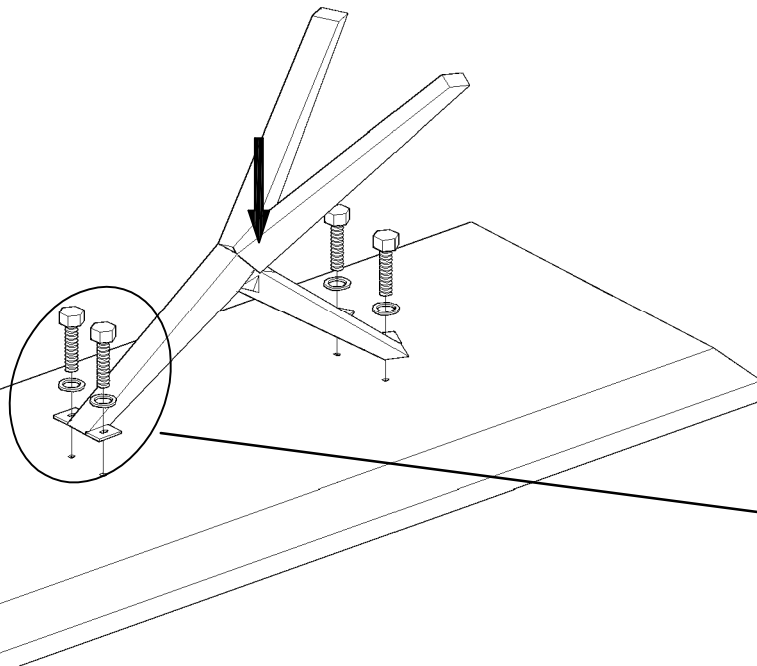
## PARTS

## Assembly Kit Contain:

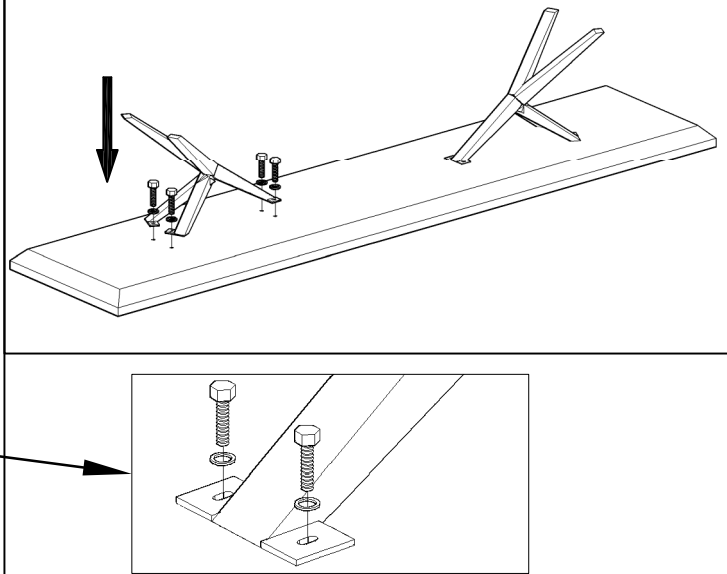


Code	Description	Qty
A	 Flat Washer	08
B	 Bolt	08
C	 Wrench	1

### Step 1.



### Step 2.



### Step 3.

