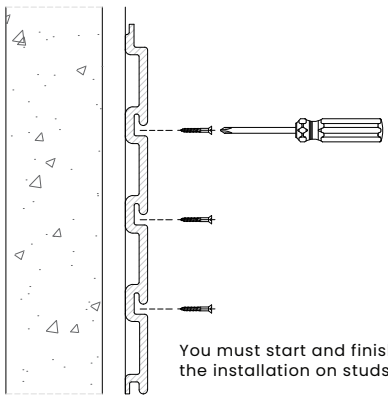
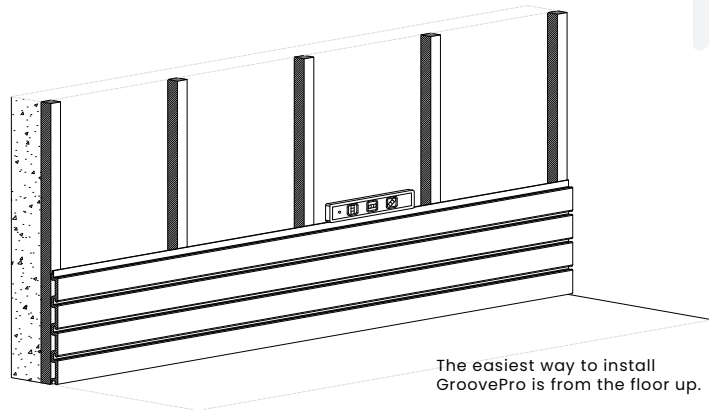
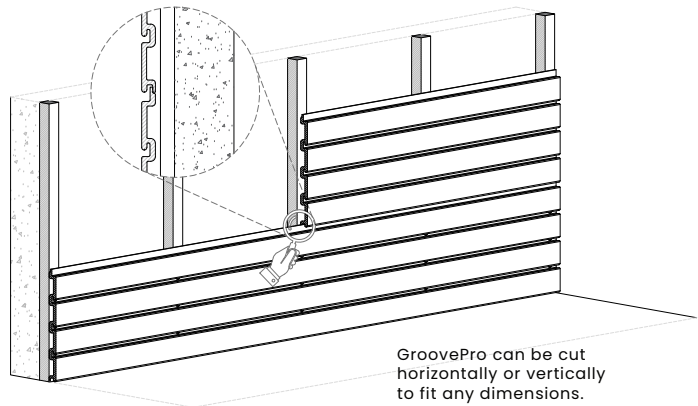


## SlatWall Installation Instruction Sheet without J Trim

- 1 Locate the studs.
- 2 Install the first piece of GroovePro.
- 3 Level the first piece of GroovePro before screwing.



- 4 Screw the first piece of GroovePro into the studs.



- 5 Install the next piece of Groovepro on top of the first one and screw it into the studs.

### Concrete Installation:

If you are installing GroovePro on concrete, pre-drill the concrete with a 5/32 drill bit. Space concrete screws about 1 ft apart.

#### CONTACT

Export Sales

MEX: +52 55 2122 3990 ext. 229


MEX: +52 55 4810 1714

USA: +1 (424) 296 8697

  
info@groove.pro

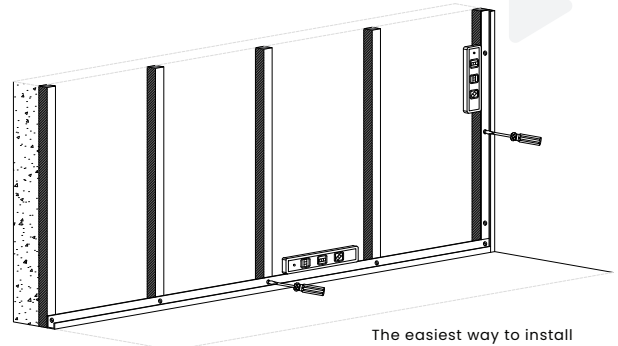
  
groove.pro

GROOVEPRO  
The Groove for organized ideas

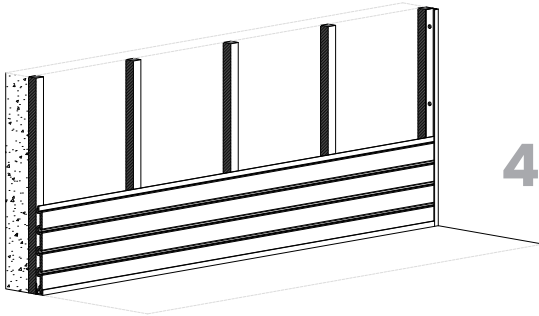
  
Calle 4 # 7, Alce Blanco, Naucalpan de Juárez.  
C.P. 53370, Estado de México. México.

## SlatWall Installation Instruction Sheet with J Trim

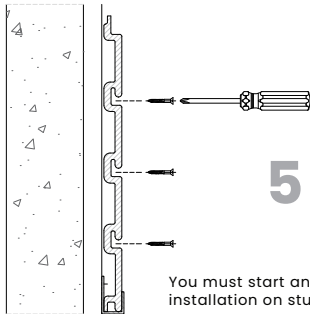
- 1 Locate the studs.
- 2 Install the first J-trims horizontally, level it and then screw it into the studs.
- 3 Install the second J-trims vertically, level it and then screw it into the studs.



The easiest way to install GroovePro is from the floor up.

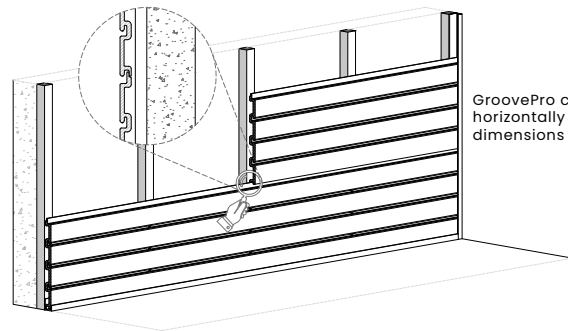


- 4 Install the first piece of GroovePro. Make sure to install it inside the J-trims.



- 5 Screw the first piece of GroovePro into the studs.

You must start and finish the installation on studs.



GroovePro can be cut horizontally or to fit any dimensions vertically.

- 6 Install the next piece of GroovePro on top of the first one and screw it into the studs.

### Concrete Installation:

If you are installing GroovePro on concrete, pre-drill the concrete with a 5/32 drill bit. Space concrete screws about 1 ft apart.

#### CONTACT

Export Sales

☎ MEX: +52 55 2122 3990 ext. 229

☎ MEX: +52 55 4810 1714

☎ USA: +1 (424) 296 8697



info@groove.pro



groove.pro

GROOVEPRO  
The Groove for organized ideas



Calle 4 # 7, Alce Blanco, Naucalpan de Juárez.  
C.P. 53370, Estado de México. México.