

Bellini

JUNO Compact Auto-Fold Stroller

Z11109



ADULT ASSEMBLY REQUIRED

Due to the presence of small parts during assembly, keep out of reach of children until assembly is complete.



USER'S MANUAL

THIS INSTRUCTION BOOKLET CONTAINS IMPORTANT SAFETY INFORMATION.

PLEASE READ AND KEEP FOR FUTURE REFERENCE

Styles and colors may vary

Customer Experience Center

hello@Bellini.com

DCP-IM-01182024



BEFORE YOU START

Please read all instructions carefully and keep it for future reference.

GENERAL WARNINGS:

- ▲ Danger! Keep all small parts and packaging materials for this product away from babies and children, otherwise they may pose a choking hazard.
- ▲ The product must be installed and used under the supervision of an adult.
- ▲ Read through each step carefully and follow the proper order.
- ▲ Remove all Packaging, separate and count all parts and hardware before installation.
- ▲ Please ensure that all parts are correctly installed, incorrect installation can lead to a danger.
- ▲ We recommend that, where possible, all items are assembled near the area in which they will be placed in use, to avoid moving the product unnecessarily once assembled.
- ▲ Ensure a secure surface during installation, and place the product always on a flat, steady and stable surface.

CARE AND MAINTENANCE

- Check you stroller for loose screws, worn parts, torn material or stitching on a regular basis. Replace or repair parts as needed.
- To clean plastic or cloth surface, use lukewarm water with mild detergent only. To clean metal surface, wipe clean with soft, damp cloth. Don't use abrasives or solvents.
- Regularly lubricate all moving parts with silicone spray only.
- Discontinue use of stroller if it should become damaged or malfunctions. Please contact our customer service number hello@Bellini.com to arrange for repair or obtain replacement parts.
- If you experience any difficult with assembly, missing parts or use, please **DO NOT** return this item to the store. Retail stores are unable to properly assists you. Contact our Customer Service Department directly for assistance hello@Bellini.com.

WARNING

WARNING: Please follow all of these instructions to ensure the safety of your child. Keep these instructions for future reference.

WARNING: Failure to follow these instructions could result in serious injury or death.

WARNING: Avoid serious injury from falling or sliding out. Always use the safety harness and ensure that the child is properly positioned according to these instructions.

WARNING: Never leave child unattended.

WARNING: CHOKING HAZARD

Adult assembly required because of small parts.

Keep assembly parts out of reach of children under 3 years.

- Purses, shopping bags, parcels, diaper bags or accessory items may change the balance of the stroller and cause hazardous unstable conditions.
- The maximum weight that can be carried in the basket is 3 lbs, and in the parent tray is 3 lbs.
- Excessive weight may cause a hazardous unstable condition to exist.
- Be certain the stroller is fully erect and latched in open positions before allowing the child near the stroller.
- Use of the stroller with a child weighing more than 50 pounds or 40 inches will cause excessive wear and stress on the stroller and may cause a hazardous unstable condition to exist.
- **DO NOT** use the stroller on stairways or escalators.
- **DO NOT** use the stroller with roller skates or in-line skates.
- Never allow your stroller to be used as a toy.
- To clean use only mild household soap or detergent and warm water on a sponge or clean cloth.
- Check your stroller for loose screws, worn parts, torn material or stitching on a regular basis.
- Replace or repair parts as needed.
- Discontinue use of stroller should it malfunction or become damaged. Please contact our customer service parts hotline to arrange for repair or obtain replacement parts.

TO PREVENT INJURY:

- Make sure fingers and other body parts are clear of the stroller when folding and unfolding.
- Make sure stroller is fully erected and into a fully locked position before placing child in the stroller.
- This stroller may become unstable if a parcel bag, other than one recommend by the manufacturer, is used.



Before returning this product to the store! Let's see if we can assist you!

- **Not sure how to assemble our product?**

Visit our site for easy to follow instructions along with some Tricks and Tips assembly videos <https://www.bellini.com>

- **If you are missing a piece or have a damaged part**

Please contact our Consumer Experience Center for assistance by emailing hello@Bellini.com. To better assist you please have your Style# or Model# and Lot# available. This can be found on a white rectangular sticker on your product, on the registration card, and on the product's box.

- **In the event we do not have a replacement part available**

You may need to return your product to the retailer for an exchange or refund.

- **Warranty**

In order to protect your investment, don't forget to register your product. You may also wish to consider purchasing our extended warranty.

Visit <https://www.belliniproducs.com> for more details.

- **Please note:**

"All Final", "As Is" or Third Party/Liquidator sales are not covered under our Limited Manufacturer Warranty.

Bellini

LIMITED MANUFACTURER WARRANTY

This Bellini product is warranted to be free from defects for a period of 90 days from the date of purchase under normal use. If a product is defective during this period, we will at our option repair or replace the defective part or product. This limited warranty extends only to the original retail purchaser and is valid only when supplied with proof of purchase, or if received as a gift, when the registration is on file with Bellini.

This limited warranty does not cover the following:

- Products purchased as floor models or samples.
- Items purchased on an “as-is” basis, as a second hand product, or as a resale product.
- Items purchased at a Final sale, a “Going out of Business” sale, or a Liquidation sale. This limited warranty gives you specific legal rights and you may also have other rights which vary from state to state.

This limited warranty gives you specific legal rights and you may also have other rights which vary from state to state.

TO REGISTER YOUR PRODUCT for important safety alerts and updates to your product please visit www.bellini.com

TO REPORT A PROBLEM, please log on to www.bellini.com and click the Consumer Care Tab, or contact us by email at hello@Bellini.com

Date of Purchase: _____ (you should also keep your receipt)

EXTENDED WARRANTY

DON'T MISS YOUR CHANCE TO BE COVERED FOR ALL OF LIFE'S MISHAPS!

With Bellini's Extended Warranty, you're covered for mechanical failure from normal use or if your item stops working due to normal wear and tear, plus all those unexpected surprises.

2 YEARS OF PROTECTION

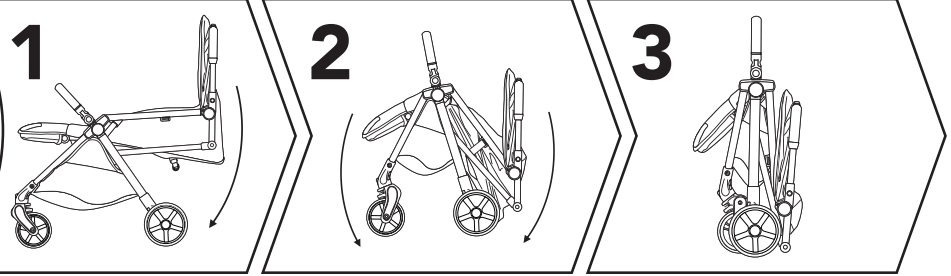
For Additional Information:

Simply visit our Website, register your product, and add the Extended Warranty

www.belliniproducts.com

Extended Warranty only available in the following States: Arkansas, Colorado, Delaware, District of Columbia, Georgia, Idaho, Illinois, Indiana, Iowa, Kansas, Kentucky, Louisiana, Maryland, Michigan, Mississippi, Missouri, Nebraska, Nevada, New Hampshire, New York, North Carolina, North Dakota, Pennsylvania, Rhode Island, South Dakota, Tennessee, Utah, West Virginia

Auto Folding



PARTS

1 Folding Lock Button

2 Folding Button

3 Canopy

4 Detachable Bumper Bar

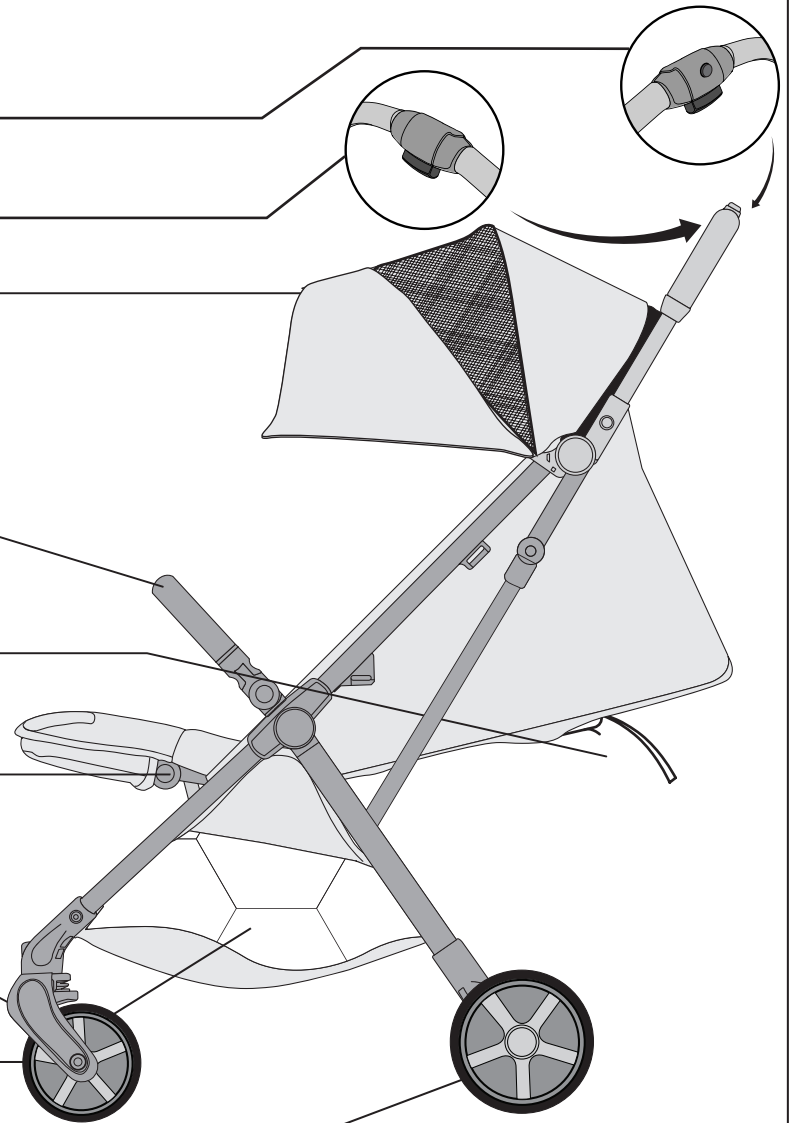
5 Back strap adjustment set

6 Adjustable footrest

7 Front wheel

8 Basket

9 Rear Wheel





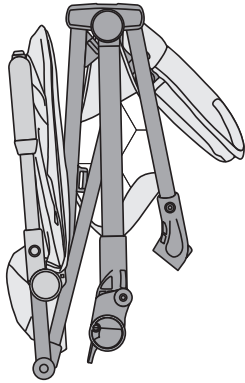
BEFORE YOU START

Please read all instructions carefully and keep it for future reference.

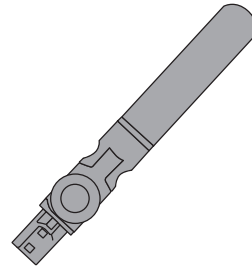
▲ WARNING! Never leave child unattended.

▲ WARNING! Avoid serious injury from falling or sliding out. Always use seat belt.

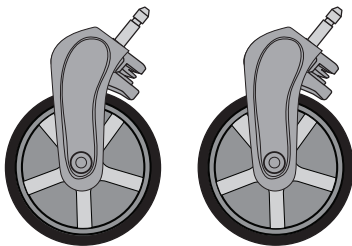
▲ WARNING! Parcels or accessory items, or both, placed on the unit may cause the unit to become unstable.



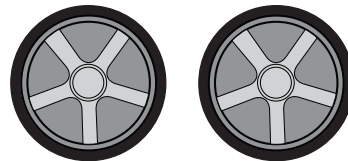
Frame



Bumper Bar

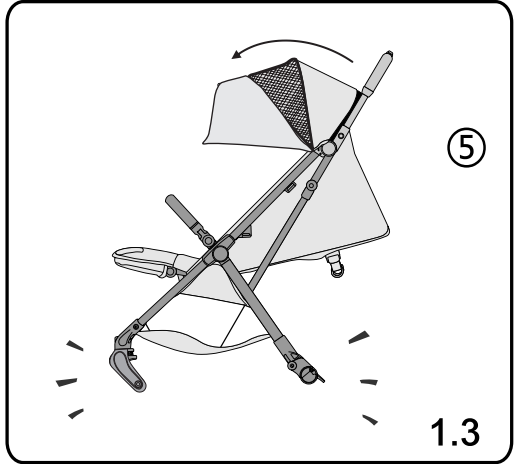
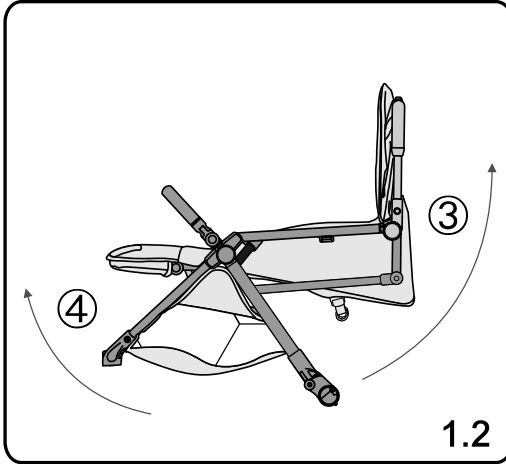
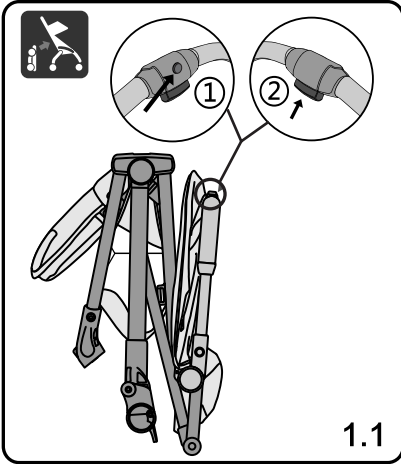


Front wheel



Rear wheel

OPERATION INSTRUCTIONS

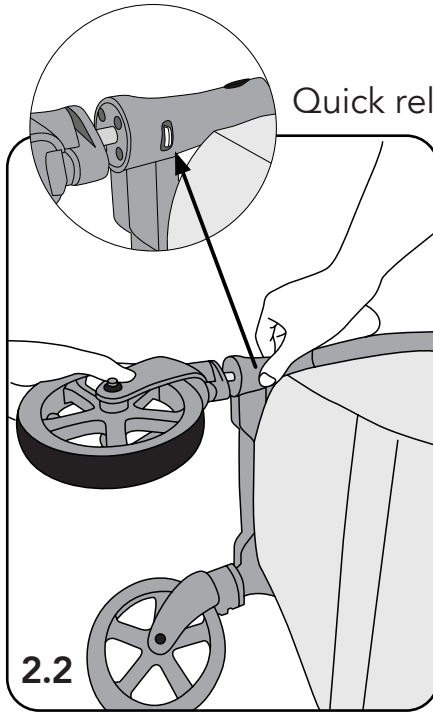
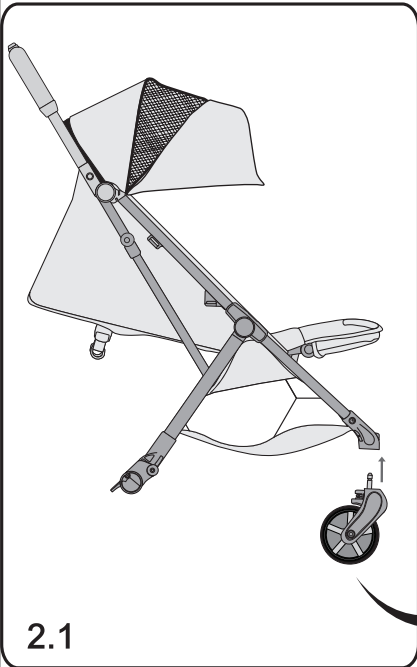


1. OPEN THE STROLLER:

1.1 First press button on rear side (1) and then squeeze button on bottom of handle (2).

1.2 Then lift and pull the handle up (3), and open the frame (4).

1.3 Open the canopy (5).

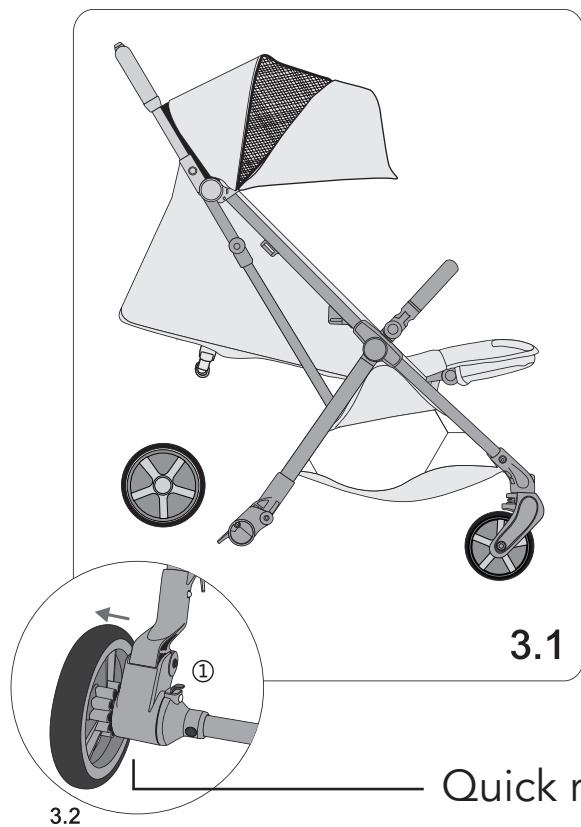


2. FRONT WHEEL INSTALLATION:

2.1 Insert each front wheel into the slot as shown above.

Front wheel removal: Push in quick release button as shown above and pull wheel out.

2.2 Quick release button of front wheel as shown in the figure.



3. REAR WHEEL INSTALLATION:

3.1 Insert the rear wheels into both ends of the rear axle

Disassembly of rear wheel: Pull up on the quick release button as shown below. While holding button up pull out rear wheel. disassembly.

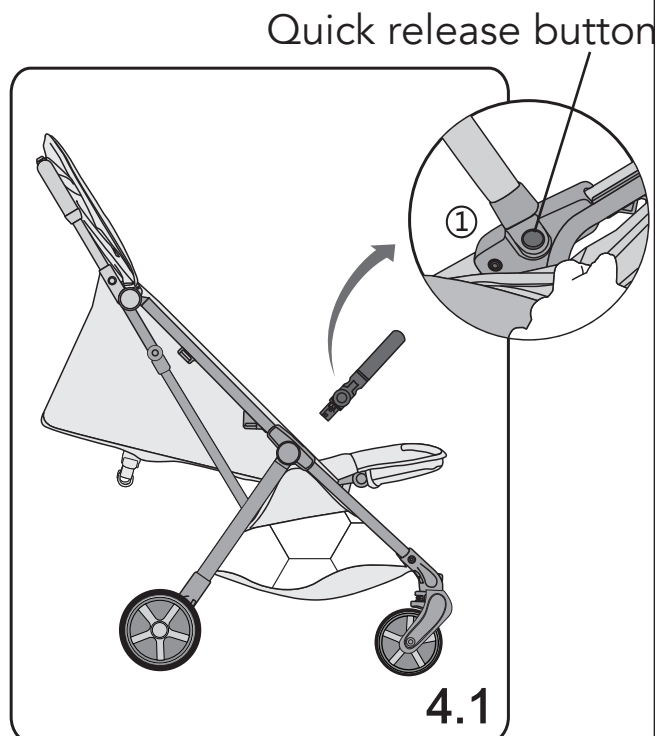
3.2 Quick release button of rear wheel as shown in the figure.

4. BUMPER INSTALLATION:

4.1 Insert the bumper bar into the slots on both sides of the seat

Removing the bumper bar: Press the quick release button on both sides of the bumper as shown to the right and then pull out the bumper bar

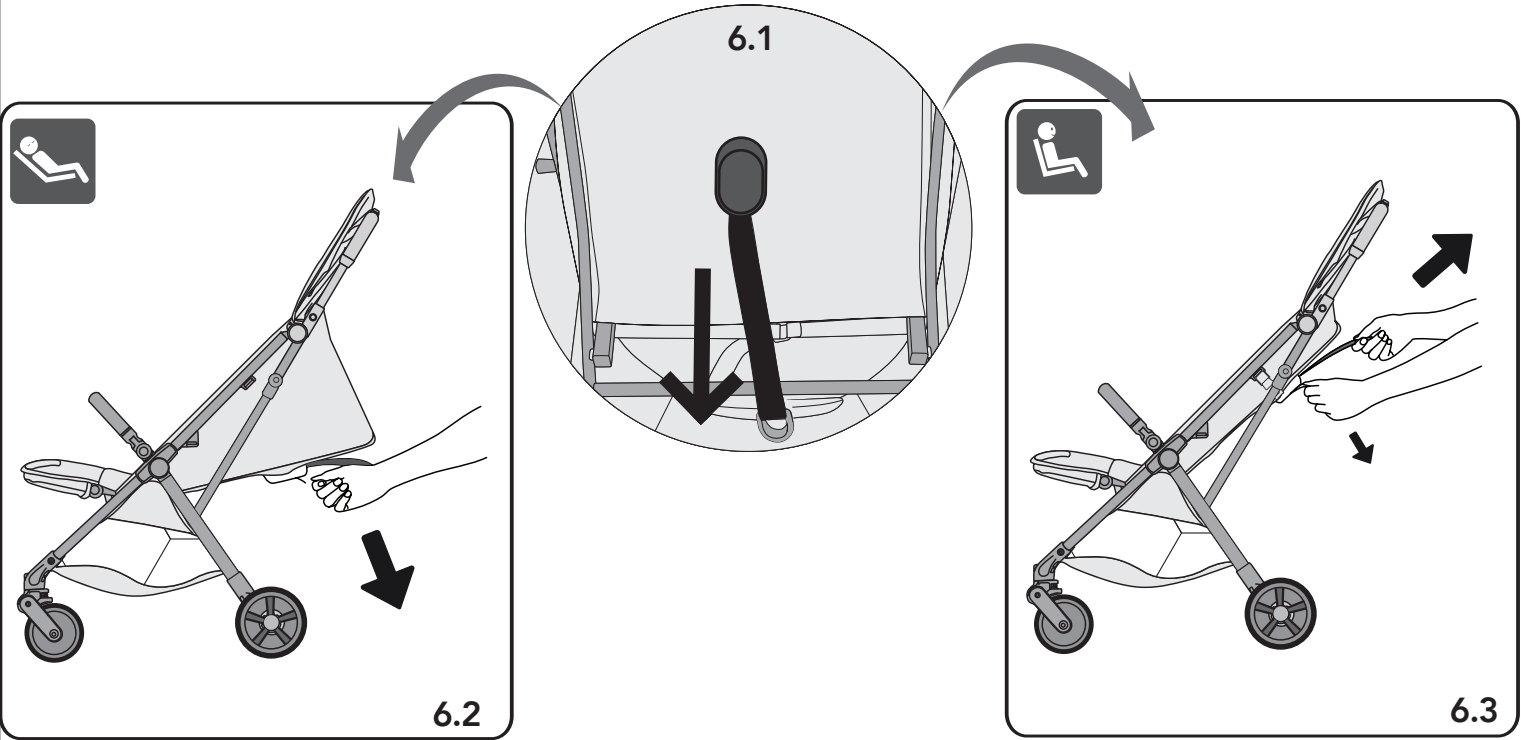
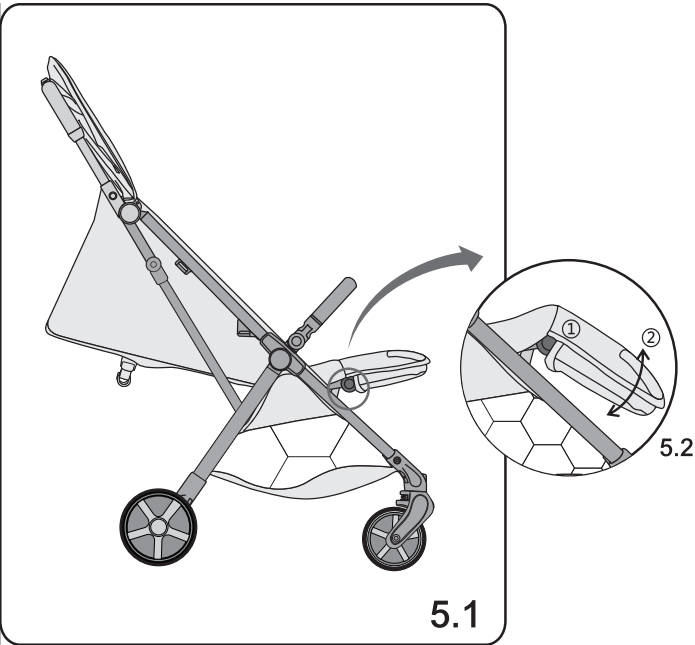
4.2 The bumper bar quick release button is shown to the right.



5. ADJUSTING THE FOOTREST:

5.1 Press and hold the footrest adjustment button on both the left and right sides to adjust the pedal up and down.

5.2 The pedal adjustment button as shown in the figure to the left.

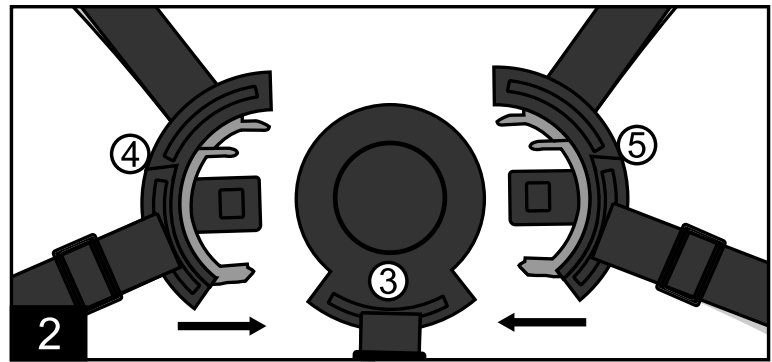
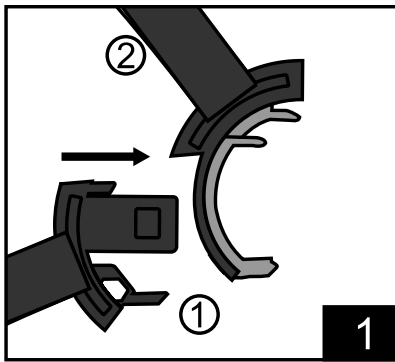


6. BACKREST ANGLE ADJUSTMENT:

6.1 Locate the release tab found on the rear side of the backrest.

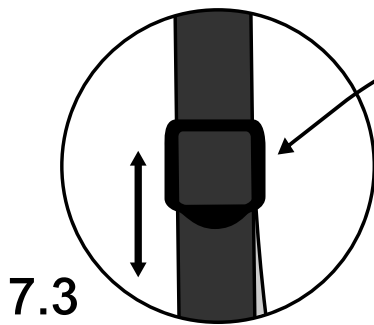
6.2 To recline backrest, pull back on release tab and lower backrest

6.3 To raise backrest up, pull back on release tab and pull back on the adjustment strap.

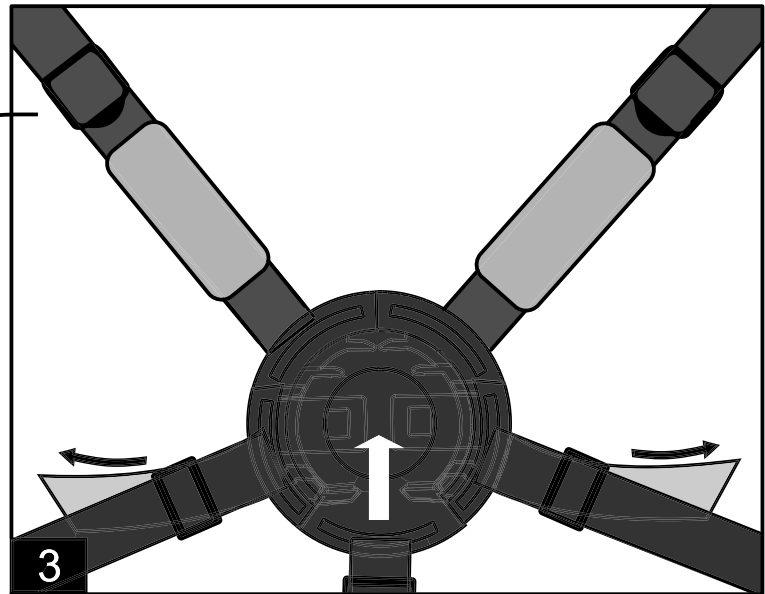


7.1

Strap adjustment



7.3



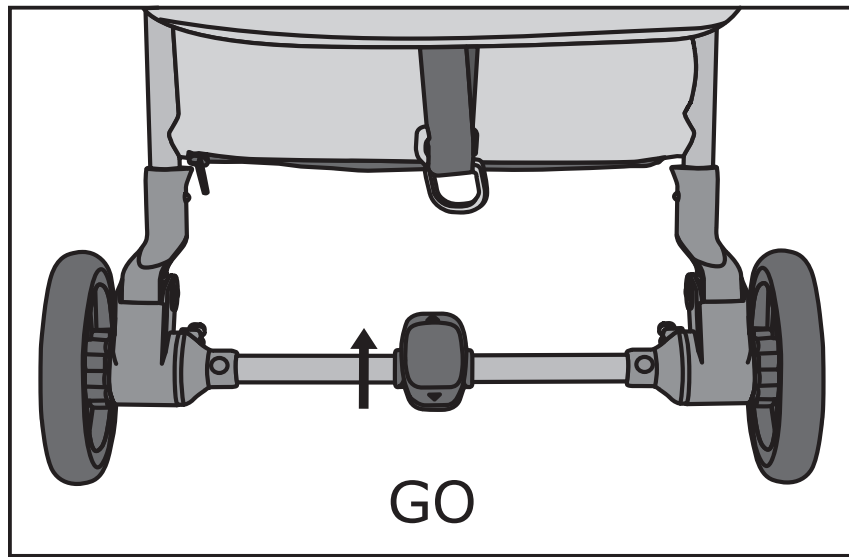
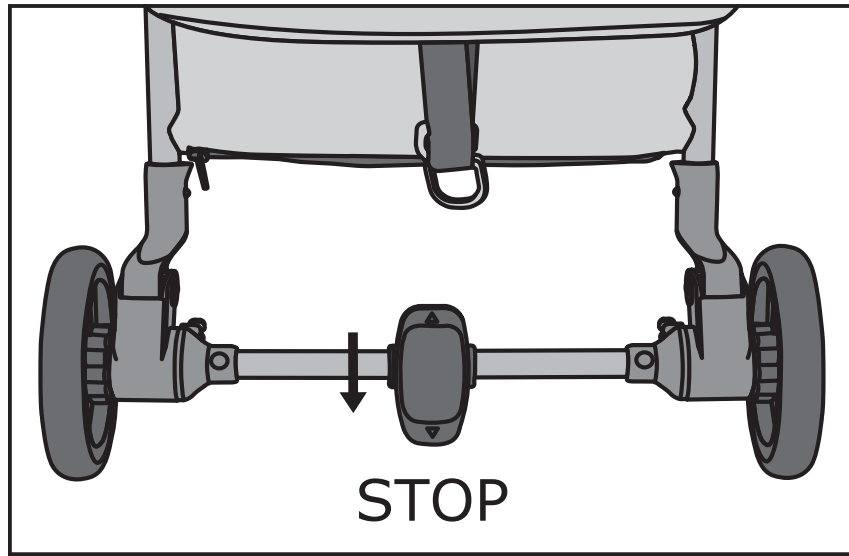
7.2

7. SAFETY BUCKLE:

7.1 Closing the buckle: Insert piece 1 into piece 2 on both sides to create pieces 4 and 5. Insert pieces 4 and 5 into piece 3 to complete harness.

7.2 Opening the buckle: Press the middle button of the safety buckle to release the safety buckle.

7.3 Adjustment of safety strap: hold one end of the safety strap and slide the buckle up and down to adjust the length of the strap.

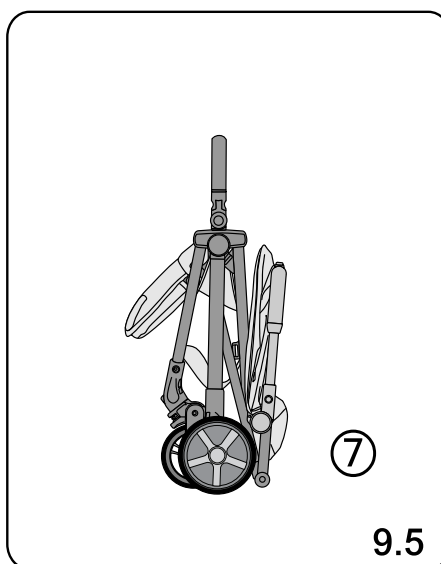
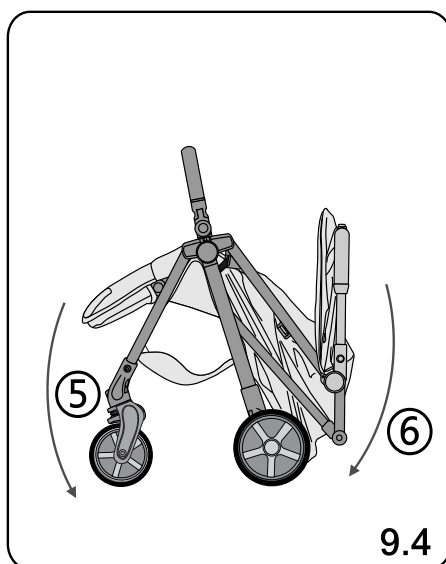
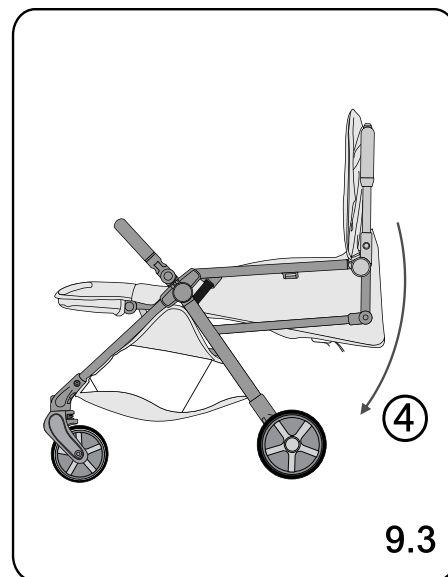
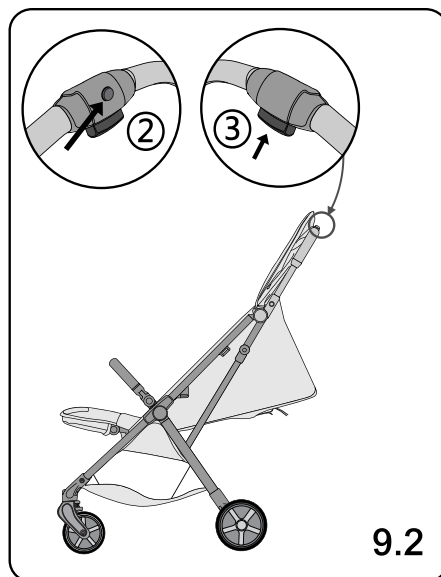


8.1

8. REAR BRAKE:

8.1 As shown in the picture, press the brake pedal towards the rear to lock the stroller wheels. Press the brake pedal towards the front to unlock the stroller wheels.

▲ WARNING: The stroller must be locked when not moving.



9. FOLDING THE STROLLER:

9.1 Fold the canopy up (1).

9.2 Press Folding Lock Button (2) and then press folding button (3).

9.3 With the folding button still engaged allow the stroller to begin folding (4).

9.4 Stroller will naturally collapse into its folded position (5) & (6).

9.5 Allow locking clasp to engage (7).

Bellini

www.Bellini.com
hello@Bellini.com
114 West 26th Street
New York, NY 10001