

Bellini.

4 in 1 Crib

Read all instructions before assembly and use.

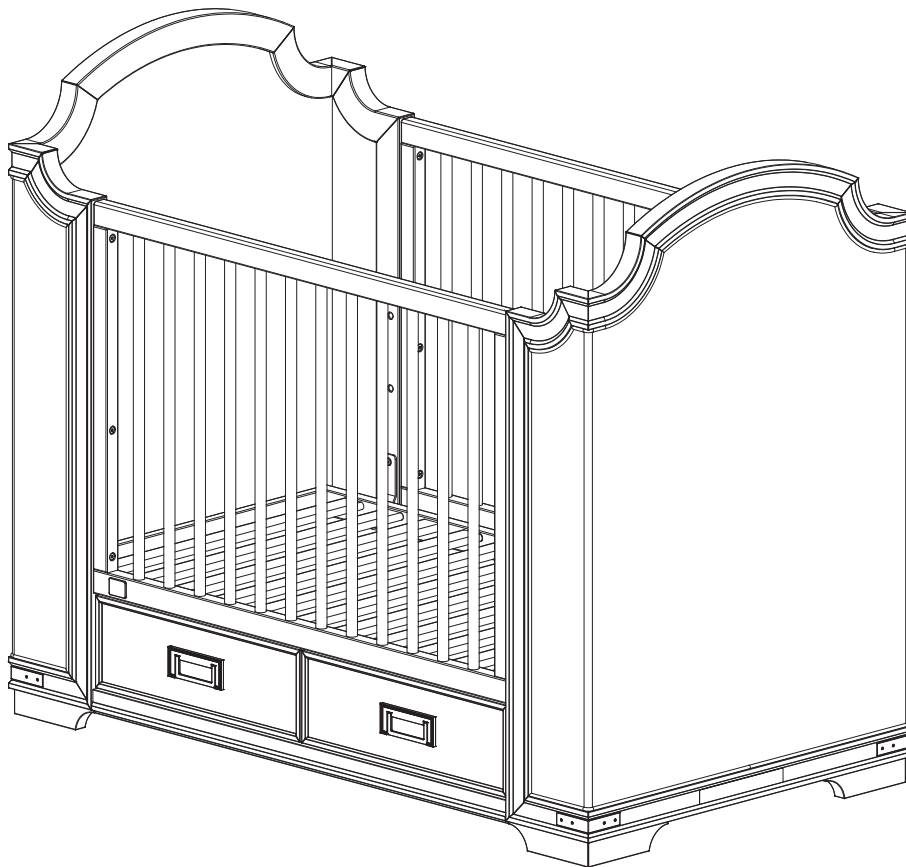
KEEP INSTRUCTIONS FOR FUTURE USE.



NEED EXTRA HELP?

We make assembly easy with our tips & tricks video <https://www.Bellini.com>

When contacting Bellini Consumer Experience Center please reference the information below. Before contacting Bellini Consumer Experience Center please ensure that the information below matches the information found on the label on the Left Crib End, please reference the information found on the product when contacting Bellini Consumer Experience Center.



sample tested to meet U.S. Federal, ASTM and other safety requirements

Style #: _____
A Lot: _____
REV Date: _____



ADULT ASSEMBLY REQUIRED

Due to the presence of small parts during assembly, keep out of reach of children until assembly is complete.

This product is not intended for institutional or commercial use.

BABY SAFE SLEEP TIPS

Visit **Bellini.com** for more information



Read all warnings and follow all instructions.



DO NOT place any items in the crib.



The safest place for your baby to sleep is in a JPMA Certified crib.



Pillows and blankets have caused infants to suffocate, **NEVER** use in a crib.



Your baby should sleep on a firm mattress.



NEVER place the crib near a window or any wall hangings.



Adult beds are not safe for babies: **NEVER** co-sleep.



Missing or broken parts, any questions?
www.Bellini.com/help



AAP RECOMMENDS:

Always lay your baby on its back to sleep.

Consult your doctor.

FURNITURE SAFETY TIPS

Visit **Bellini.com** for more information

SERIOUS OR FATAL CRUSHING INJURIES
CAN OCCUR FROM FURNITURE TIP-OVER.



Read all warnings and follow all instructions.



NEVER open more than one drawer at a time.



ALWAYS use provided tipover restraints.



DO NOT leave drawers open when not in use.



DO NOT set TV's or other heavy objects on the top of bedroom or nursery furniture.



NEVER allow children to climb or hang on drawers, doors, or shelves.

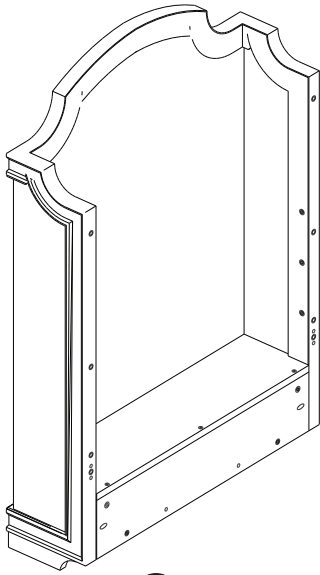


Place heaviest items in the lowest drawers.

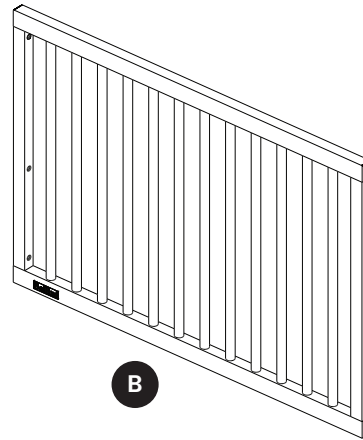


Missing or broken parts, any questions?
www.Bellini.com/help

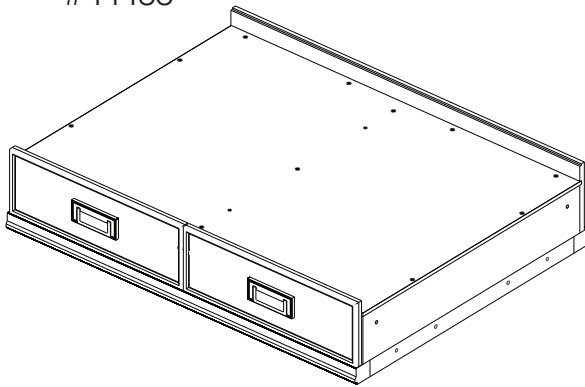
PARTS: MAKE SURE THAT ALL PRE-ASSEMBLED PARTS ARE TIGHT



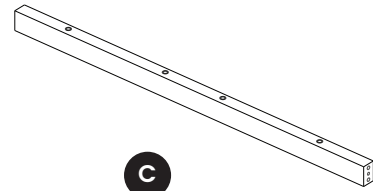
A
Crib End x2
#44488



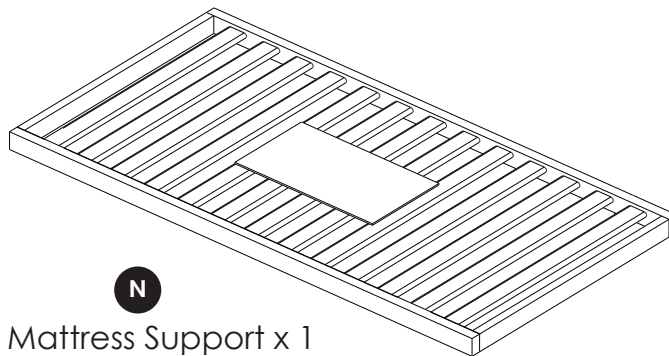
B
Crib Side x2
#44489



E
Lower Base x1
#44493



C
Conversion Rail x1
#44490



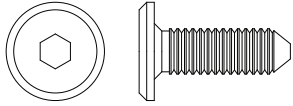
N
Mattress Support x 1
#44487

Pouch attached to mattress support- keep instructions in this pouch after assembly. Warnings related to the safe use of this crib are printed on the pouch.

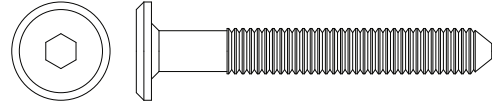
Crib Hardware

Note: Fasteners are shown full size

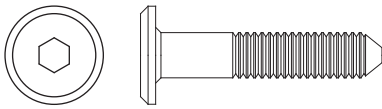
Parts: Hardware kits part#44498



AA 18mm Bolt x8
5763



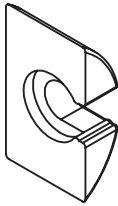
CC 45mm Bolt x16
5466



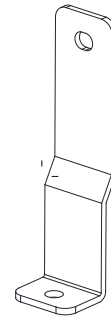
LL 30mm Bolt x4
6232



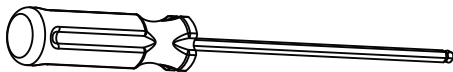
GG Dowel x8
5486



DD Crescent Washer x2
5202



BB Bracket x4
#44500



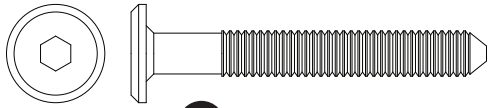
M4 Ballend Screwdriver
5818



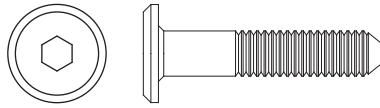
M4 Allen Wrench
1177

Section 1: Crib Assembly, Step 1

Parts and tools required to complete step



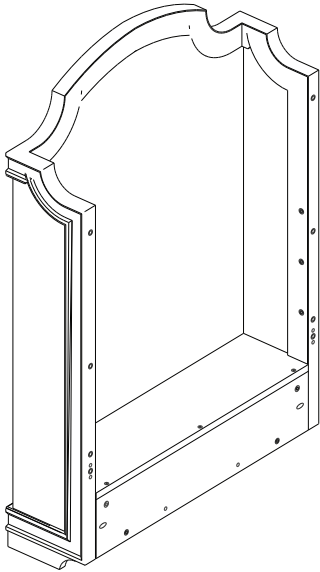
CC 45mm Bolt x2



LL 30mm Bolt x2

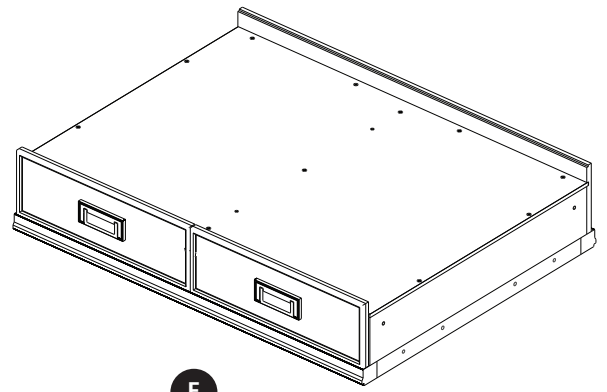


GG Dowel x2



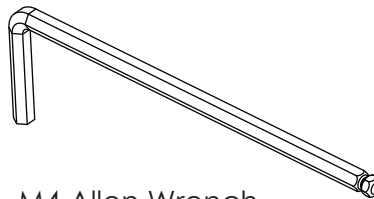
A

Crib End x1



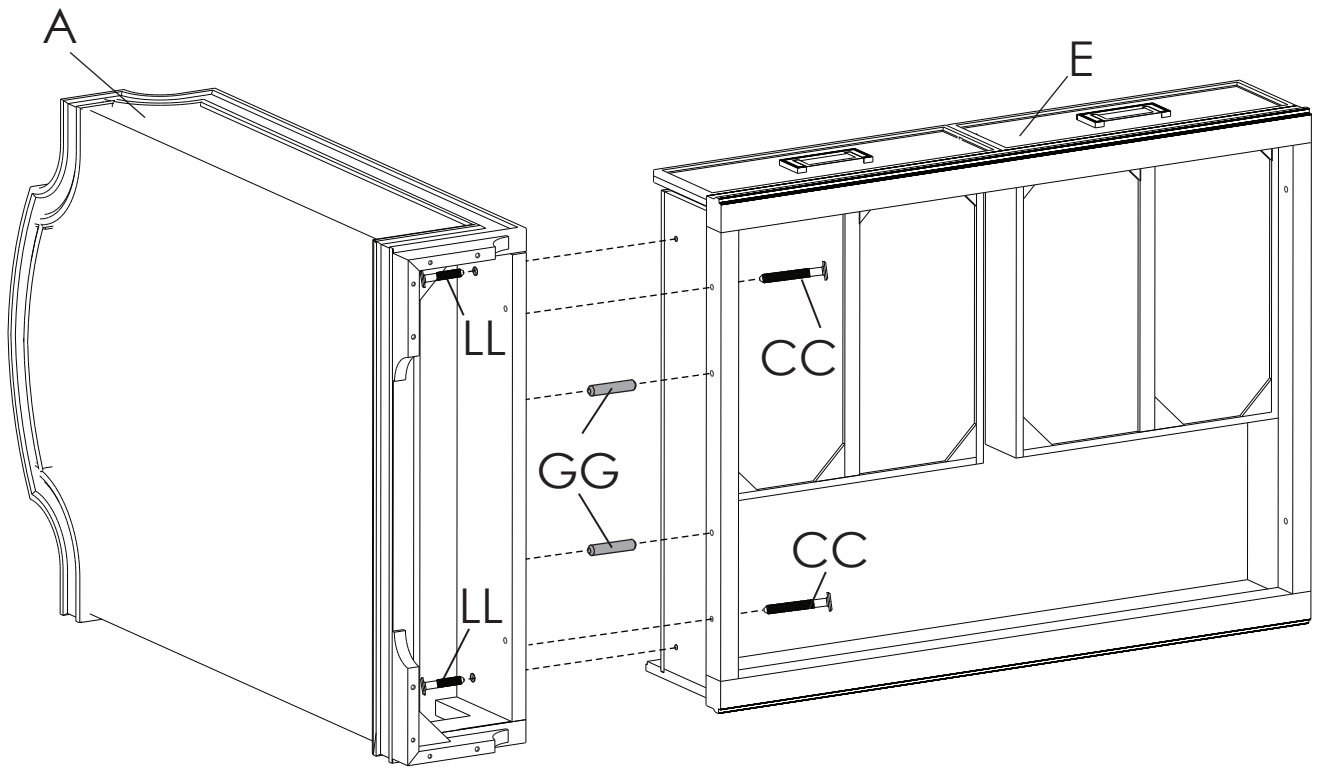
E

Lower Base x1



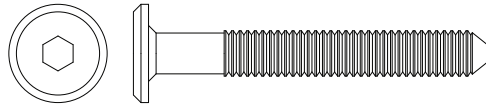
M4 Allen Wrench

Attach (1) Crib End (Part A) to the Lower Base (Part E) using (2) 45mm bolts (Part CC), (2) 30mm bolts (Part LL) and (2) Dowels (Part GG). Tighten the Bolts with the M4 Allen wrench.

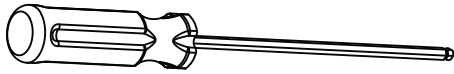


Section 1: Crib Assembly, Step 2

Parts and tools required to complete step



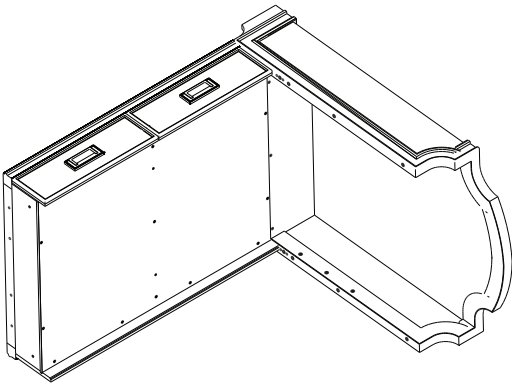
CC 45mm Bolt x3



M4 Ballend Screwdriver



M4 Allen Wrench

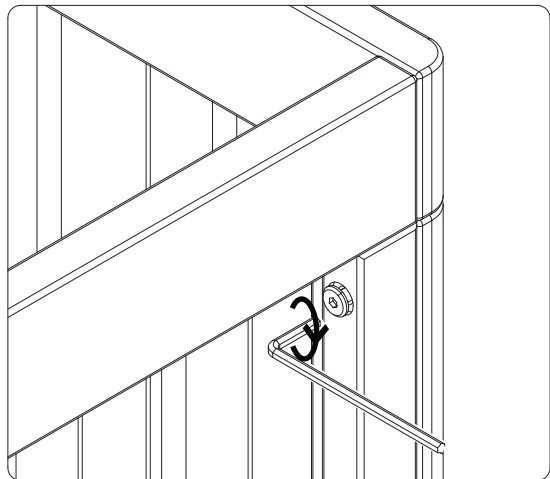
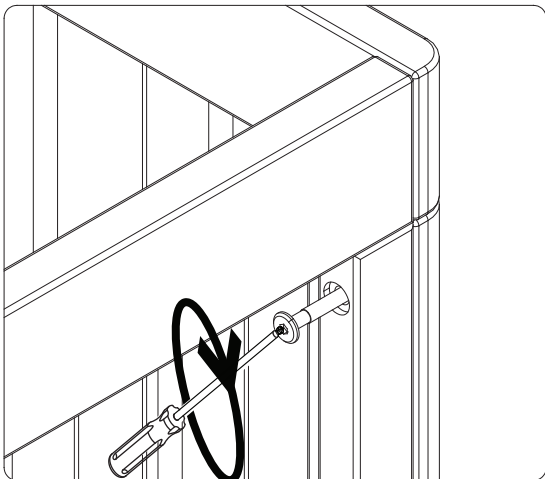
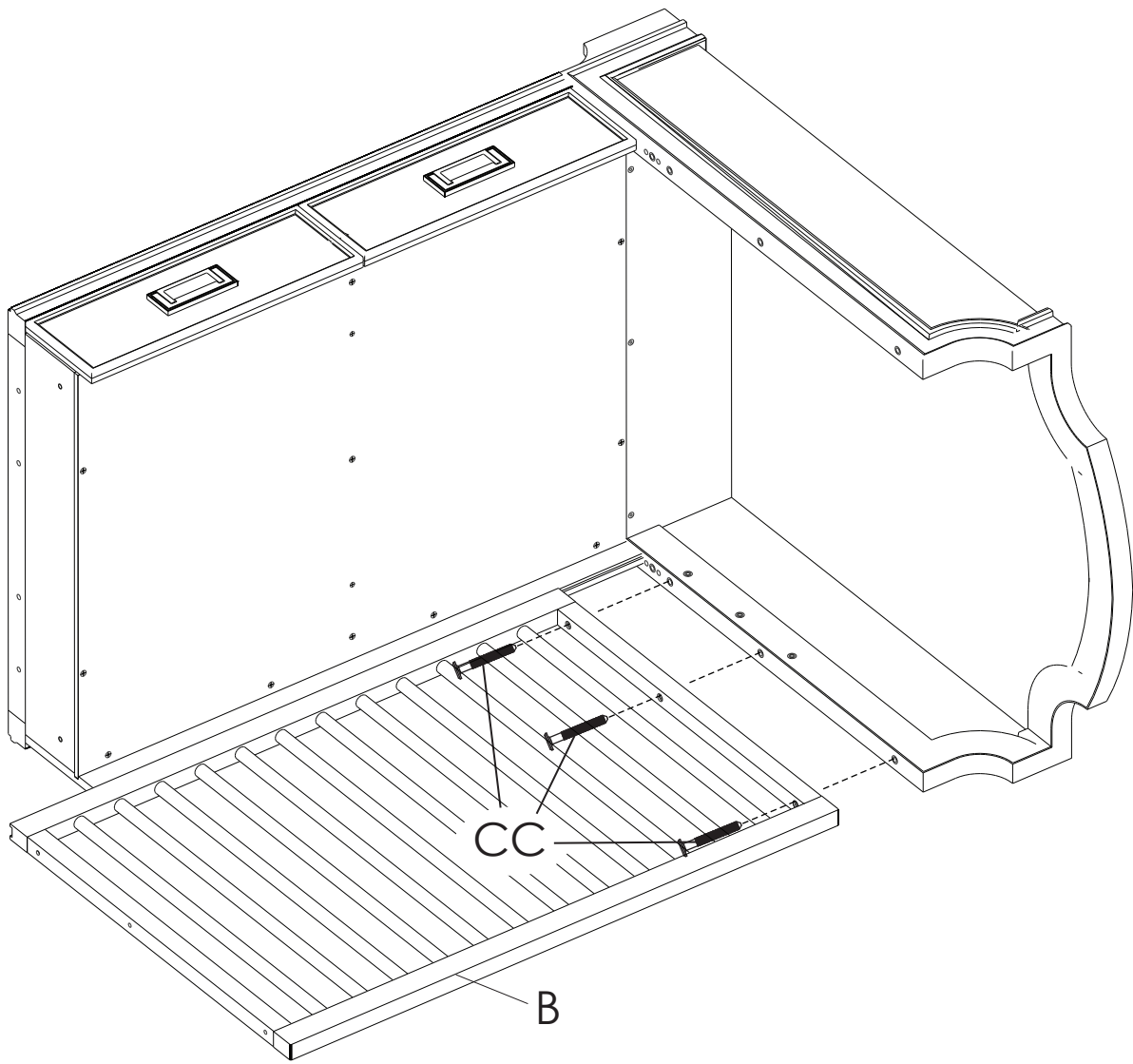


From Step 2



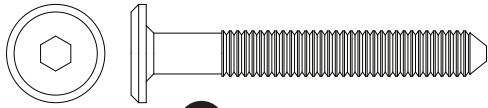
B
Crib Side x1

Attach (1) Crib Side (Part B) to the assemblies from Step 2 using (3) 45mm Bolts (Part CC) . Tighten the Bolts with the M4 Ballend Screwdriver and M4 Allen wrench,

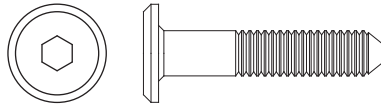


Section 1: Crib Assembly, Step 3

Parts and tools required to complete step



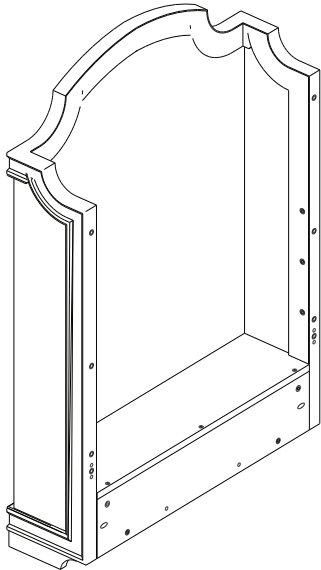
CC 45mm Bolt x5



LL 30mm Bolt x2

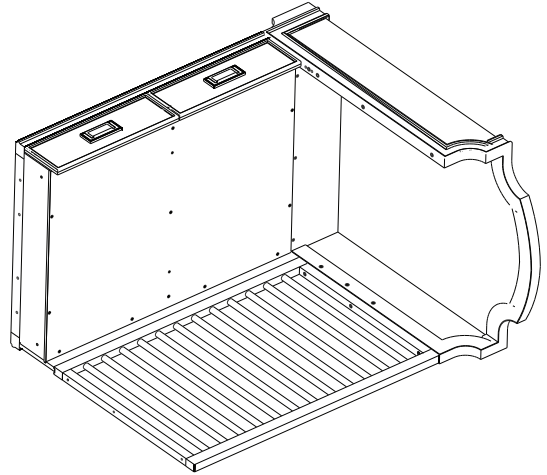


GG Dowel x2

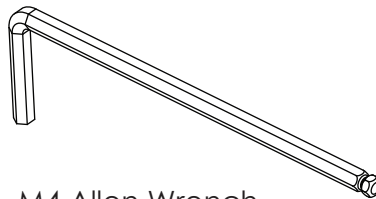


A

Crib End x1

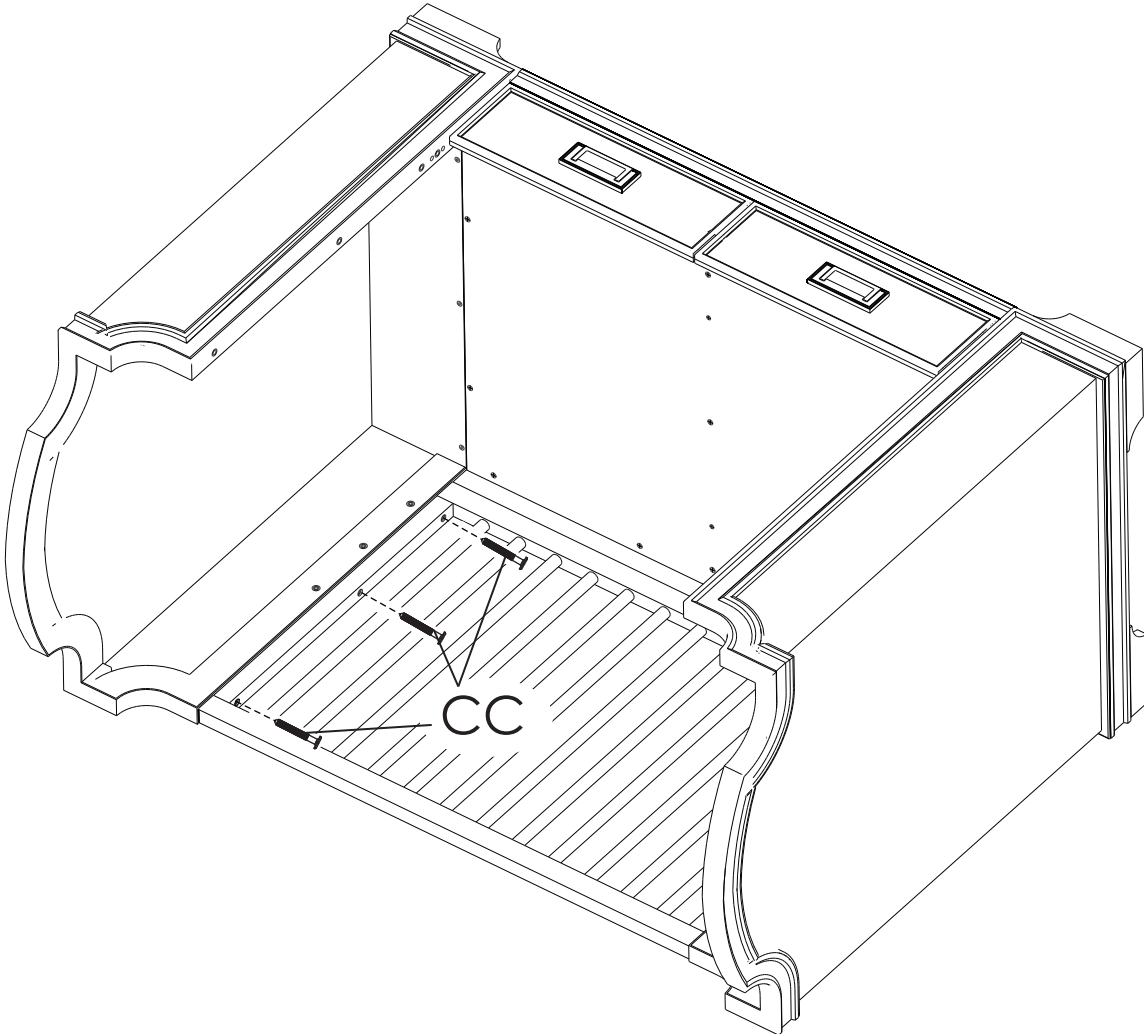
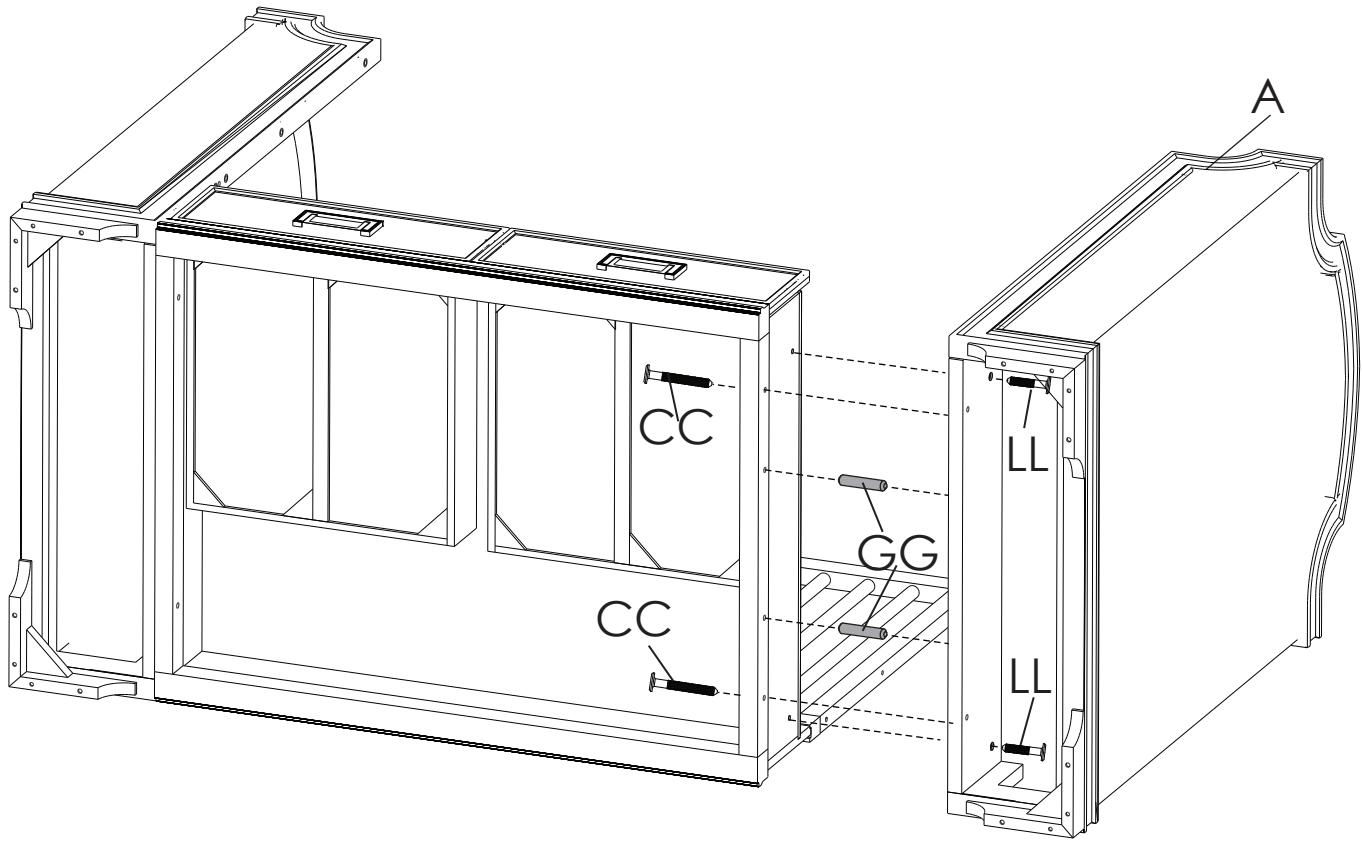


From Step 3



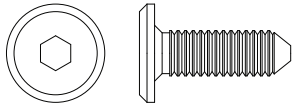
M4 Allen Wrench

Attach (1) Crib End (Part A) to the assemblies from Step 3 using (5) 45mm bolts (Part CC), (2) 30mm bolts (Part LL) and (2) Dowels (Part GG). Tighten the Bolts with the M4 Allen wrench.



Section 1: Crib Assembly, Step 4

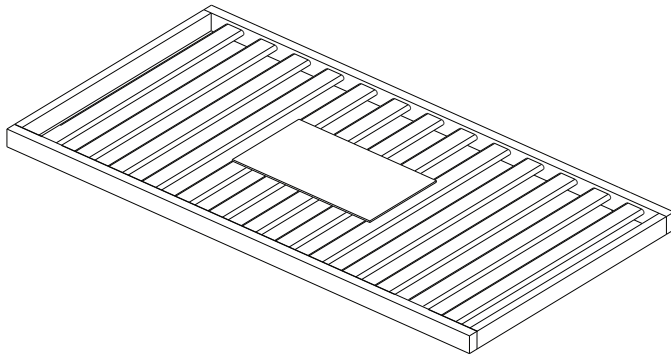
Parts and tools required to complete step



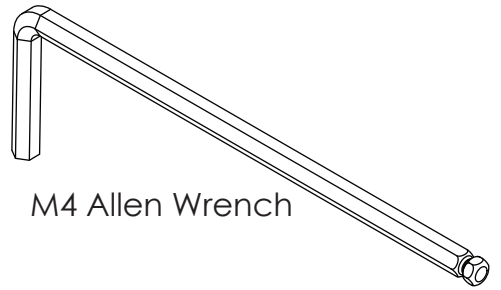
AA 18mm Bolt x4



BB Bracket x4

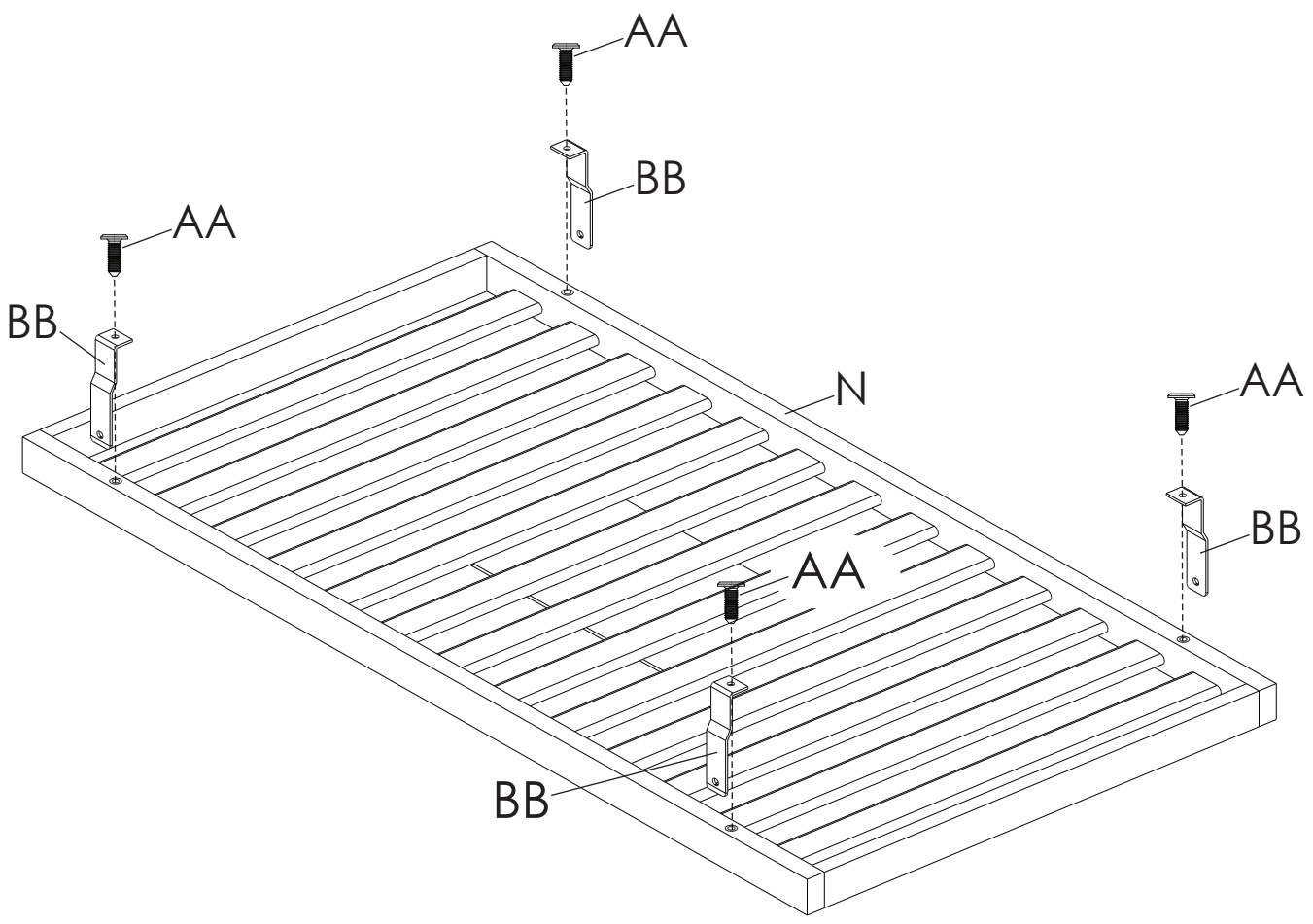


N
Mattress Support x 1



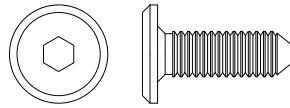
M4 Allen Wrench

Attach (4) Bracket (Part BB) to the Mattress Support (Part N) using (4) 18mm bolts (Part AA). Tighten with the M4 Allen Wrench.

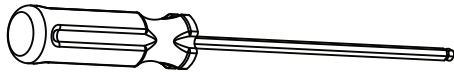


Section 1: Crib Assembly, Step 5

Parts and tools required to complete step



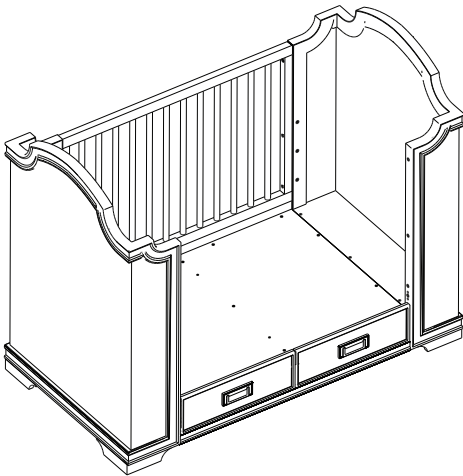
AA 18mm Bolt x4



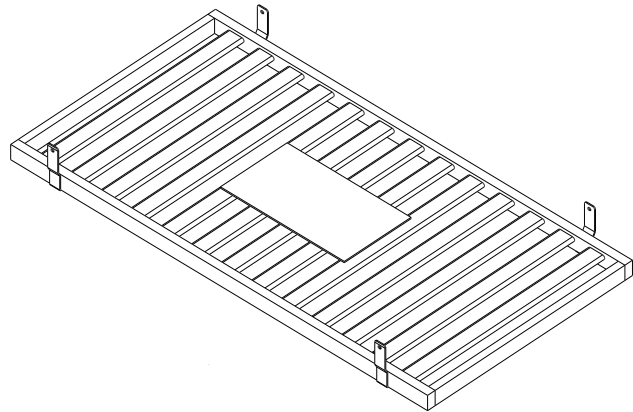
M4 Ballend Screwdriver



M4 Allen Wrench



From Step 4



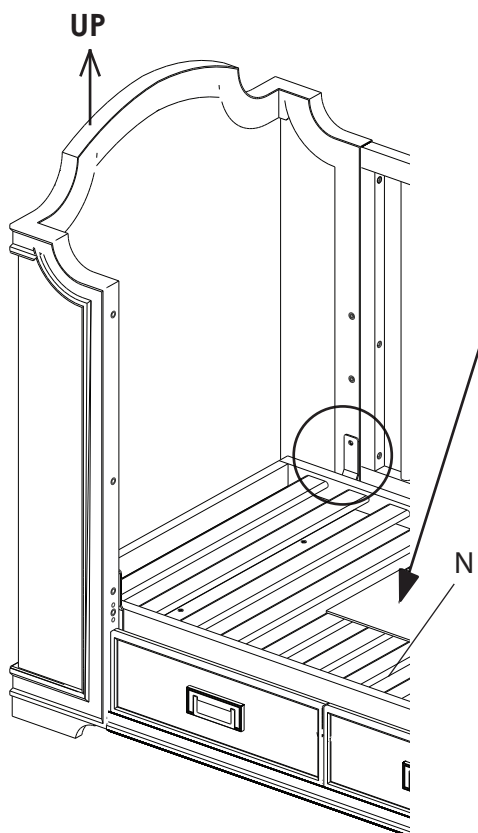
From Step 5

Loosely Attach the Mattress Support (Part N) in all corners using (1) M6x18 mm Bolt (Part AA) in each corner. Tighten the Bolts with the M4 Ballend Screwdriver and M4 Allen wrench.

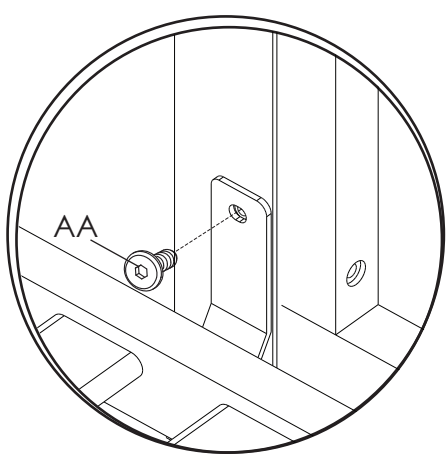
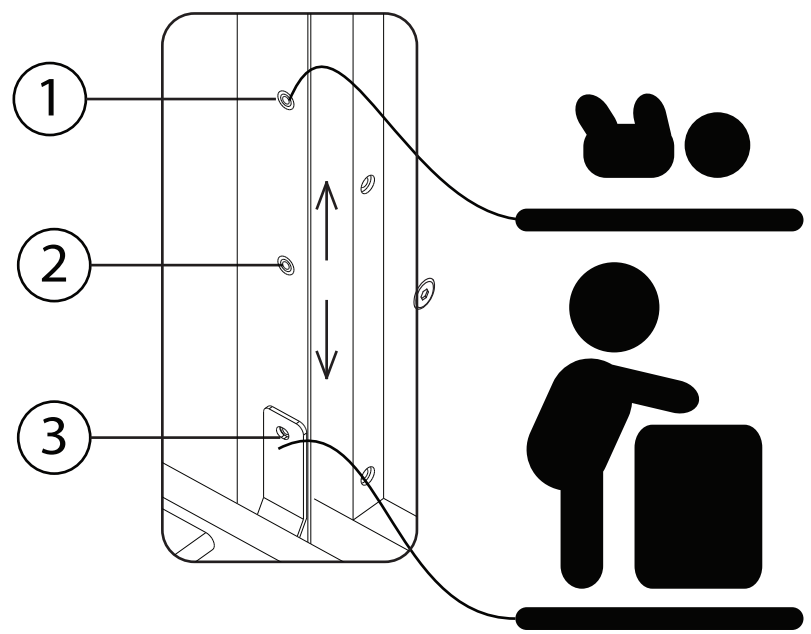
The **⚠** WARNINGS printed on the pouch attached to the mattress support must face up. This crib has (3) adjustment positions, use the highest only for newborns, move the mattress down as the child grows.

⚠ WARNING:

Fall Hazard: When child is able to pull to a standing position, set mattress to lowest position and remove bumper pads, large toys and other objects.



⚠ WARNINGS ON POUCH MUST FACE UP.

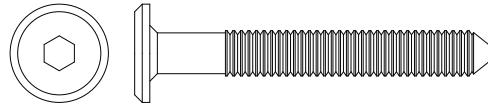


To adjust the mattress support to 1 of the 3 height positions remove the 18mm bolts (Part AA). Then install in the desired location.

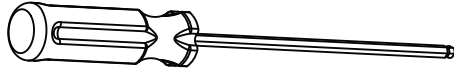
ALL CORNERS

Section 1: Crib Assembly, Step 6

Parts and tools required to complete step



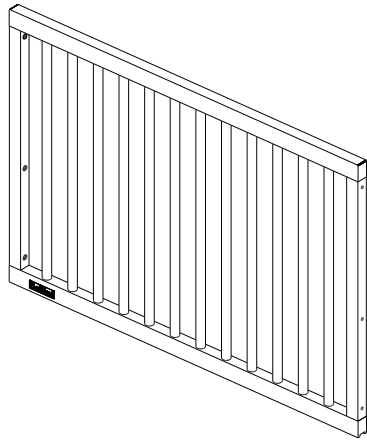
CC 45mm Bolt x6



M4 Ballend Screwdriver

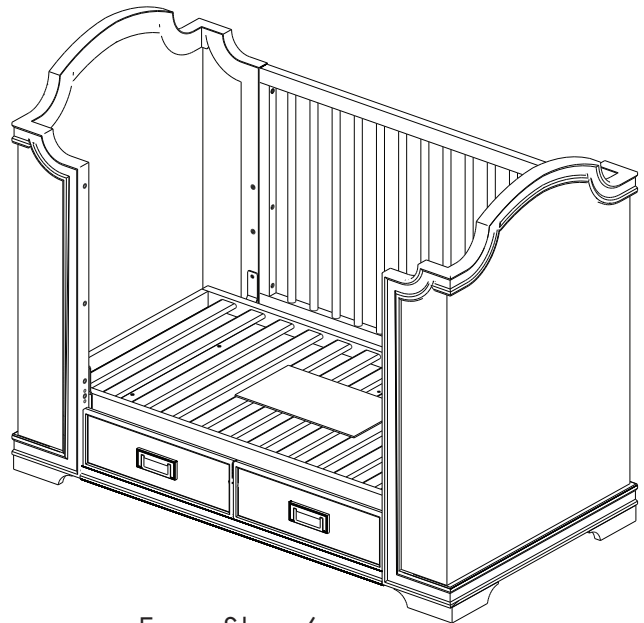


M4 Allen Wrench



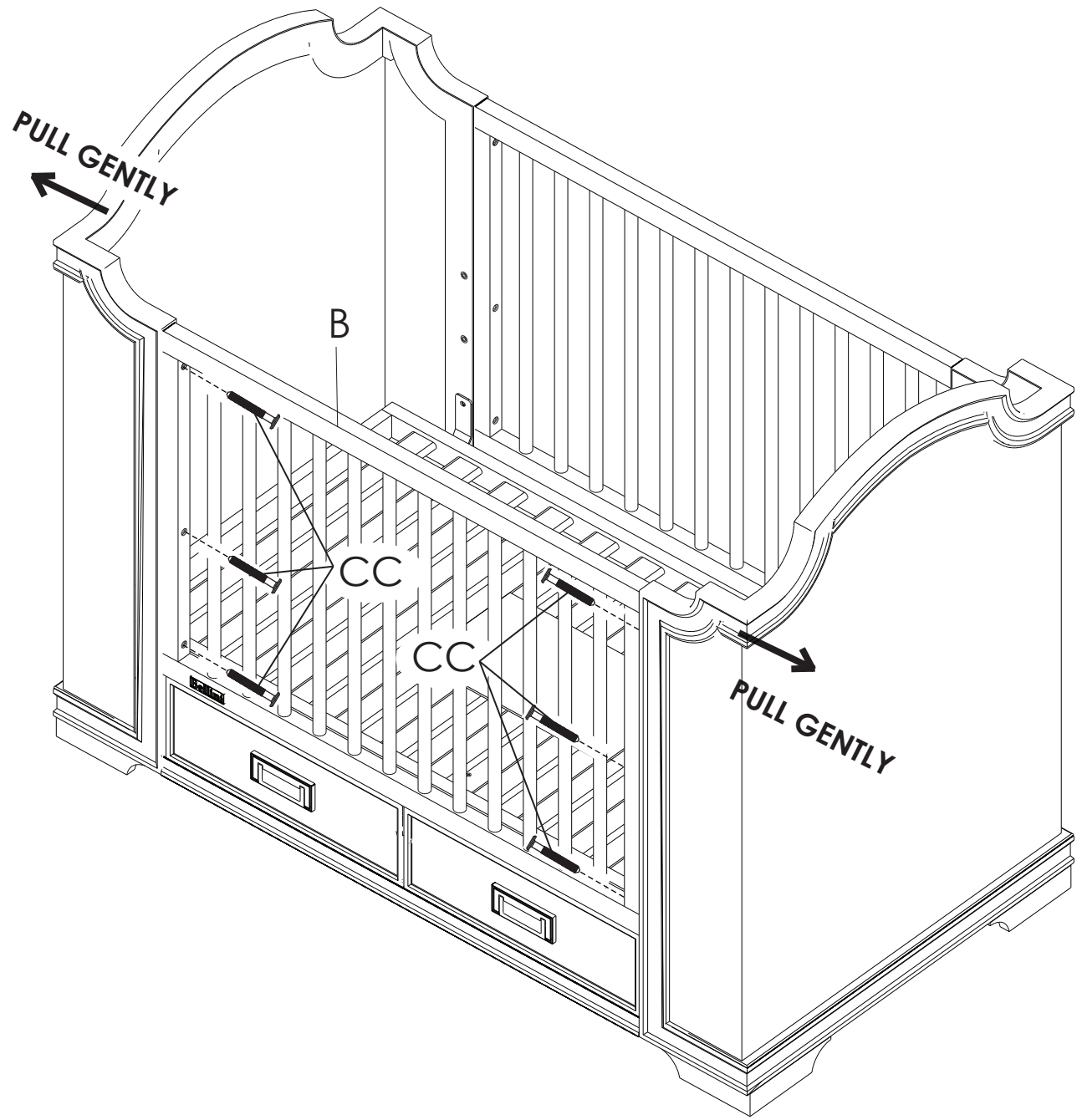
B

Crib Side x2



From Step 6

Attach (1) Crib Side (Part B) to the assemblies from Step 6 using (6) 45mm Bolts (Part CC). Tighten ALL bolts with the M4 Allen Wrench, including those left loose in step 6.



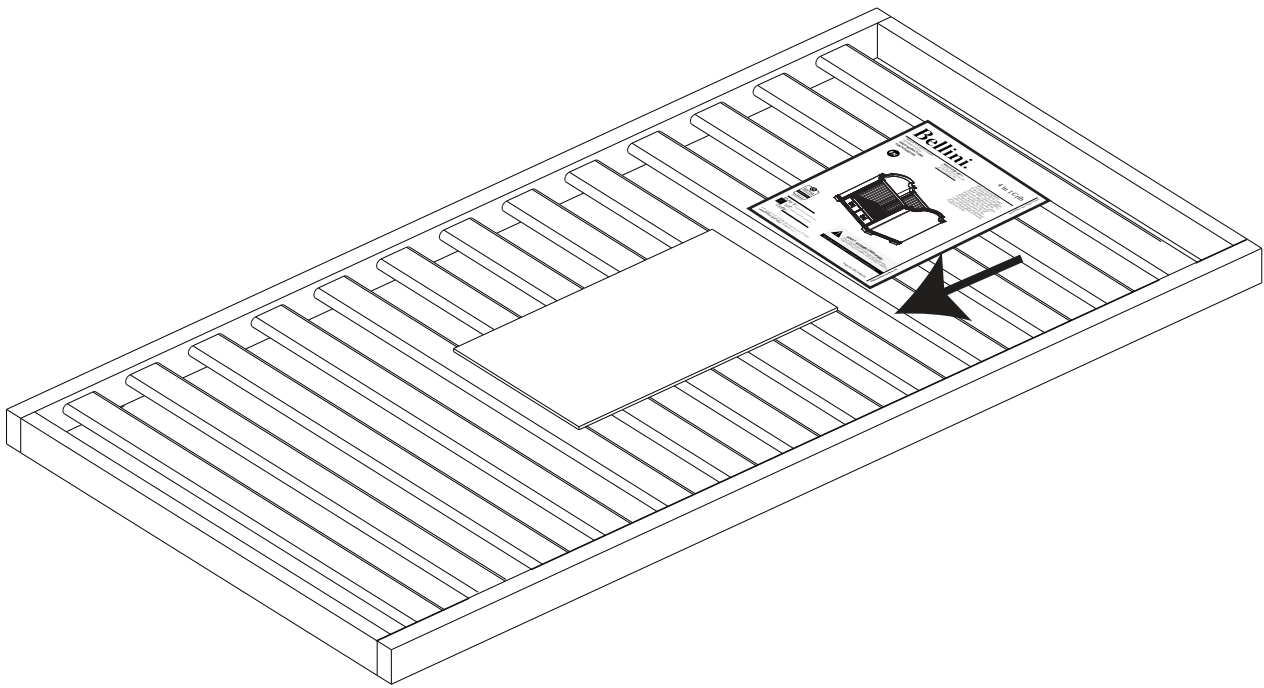
Section 1: Crib Assembly, Step 7

Parts and tools required to complete step



Assembly Instruction Booklet

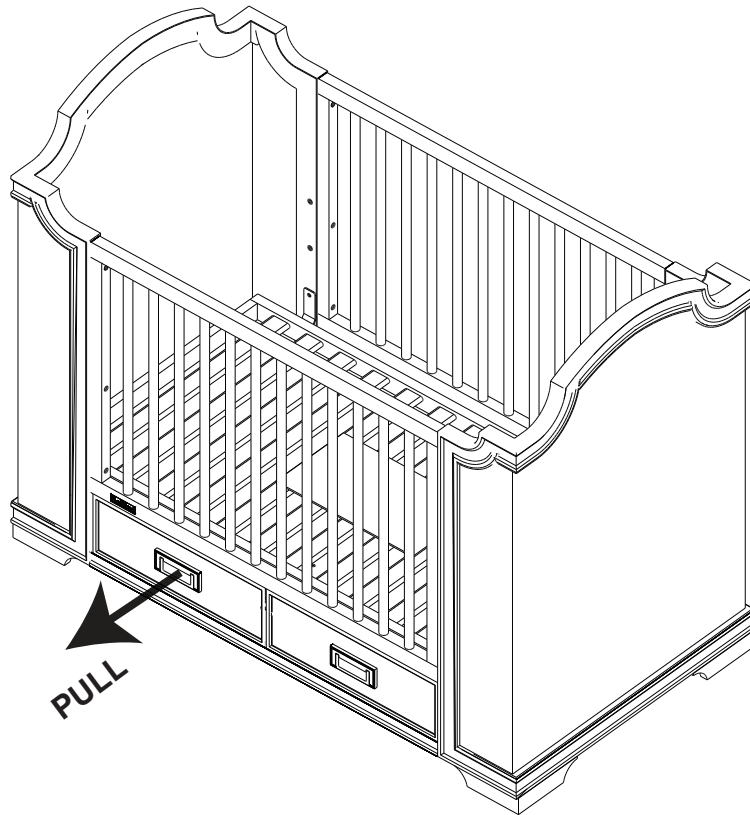
Store the assembly instruction booklet in the pouch attached to the mattress support. Store all parts and tools separately, in a safe place.



⚠ WARNING:
See page 24 for information

HOW TO OPERATE THE DRAWER GLIDE

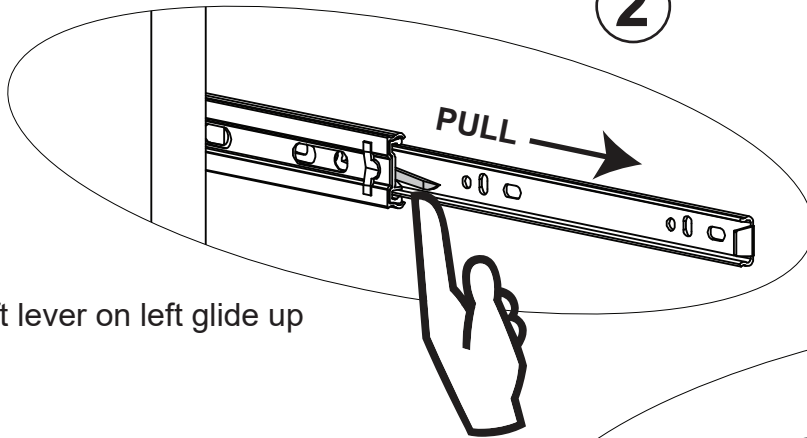
1



Left

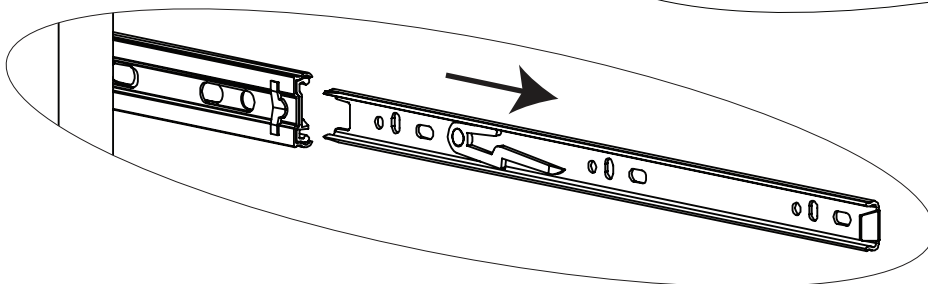
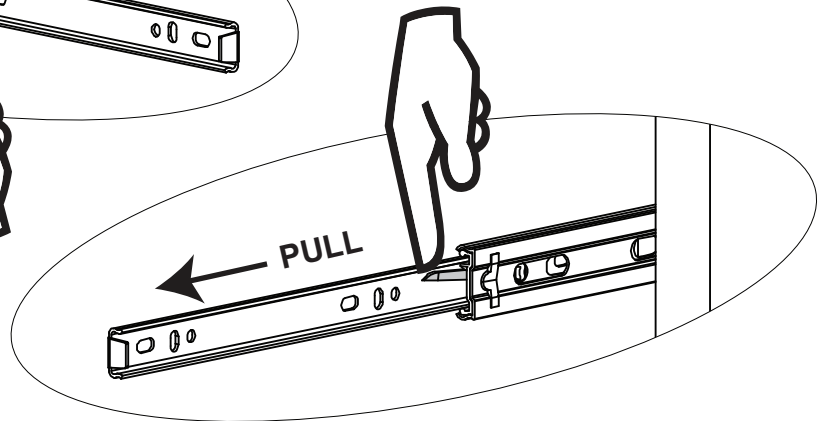
2

Right



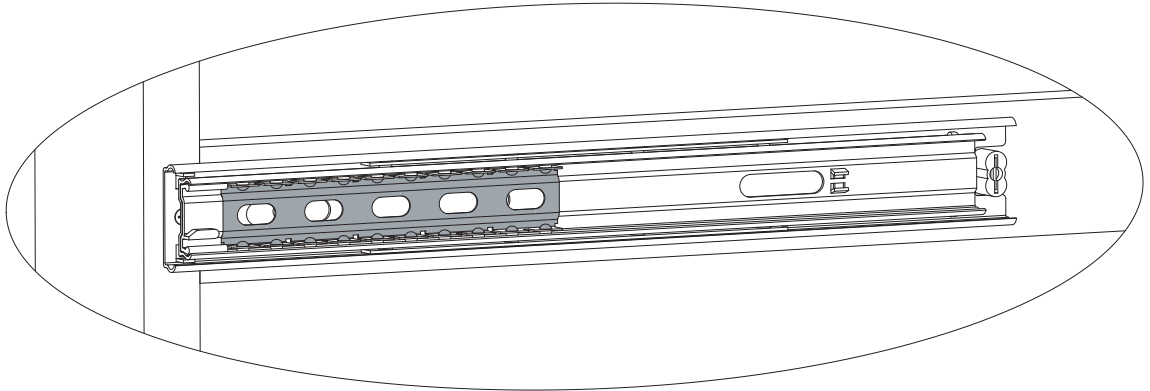
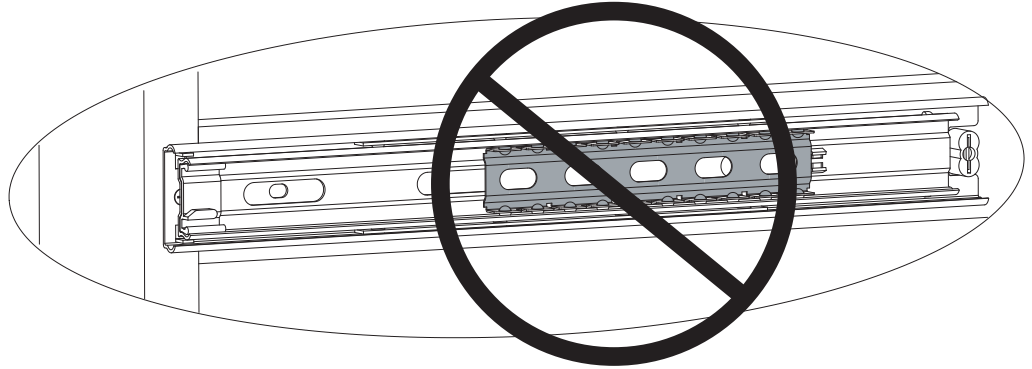
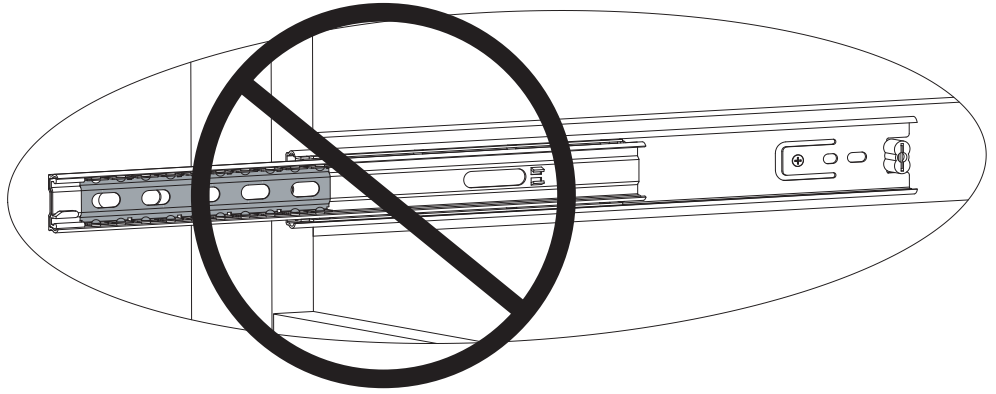
Lift lever on left glide up

Press lever on right glide down

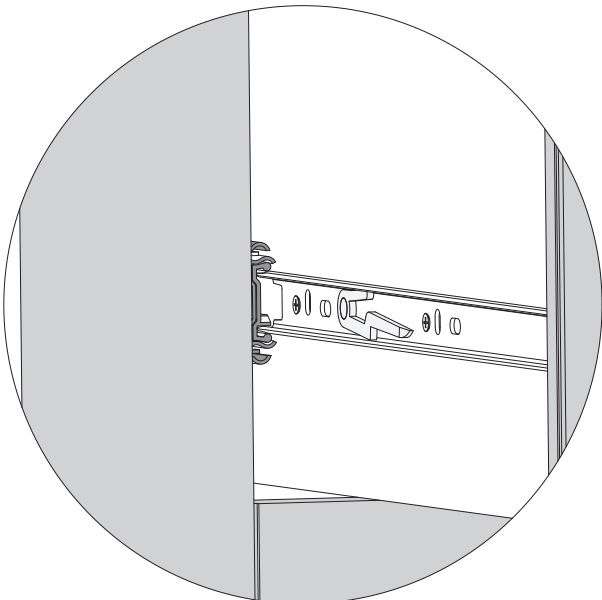


3

The silver portion of the glide must be pulled to the front of the glide when assembling the drawer into the case.



To insert drawer align male runner on drawer to female runner on case and push all the way in.



⚠CAUTION:

ANY MATTRESS USED IN THIS CRIB SHALL BE AT LEAST 27 1/4 BY 51 5/8 IN. WITH A THICKNESS NOT EXCEEDING 6 IN.

⚠WARNING:

- *Infants can suffocate on soft bedding. Never add a pillow or comforter. Never place additional padding under an infant.
- *Failure to follow these warnings and the assembly instructions could result in serious injury or death. DO NOT use this crib if you cannot exactly follow the accompanying instructions.
- *To reduce the risk of SIDS, pediatricians recommend healthy infants be placed on their backs to sleep, unless otherwise advised by your physician.
- *Strangulation Hazard: **STRINGS CAN CAUSE STRANGULATION!** Do not place items with a string around a child's neck, such as hood strings or pacifier cords. Do not suspend strings over a crib or attach strings to toys.
- *Strangulation Hazard: To help prevent strangulation tighten all fasteners. A child can trap parts of the body or clothing on loose fasteners.
- *Strangulation Hazard: Do not place crib near window or patio door where cords from blinds or drapes may strangle a child.
- *Fall Hazard: When child is able to pull to a standing position, set mattress to lowest position and remove bumper pads, large toys and other objects that could serve as steps for climbing out. This crib has an adjustable mattress support. For the convenience of the parent when the baby is very small, the mattress support may be used in the highest position. Important: with the mattress support and mattress in the highest position, be absolutely sure that the top of the front crib side is at least 3 inches higher than the top surface of the mattress. If it is not, lower the mattress support and the mattress to the next highest position.
- *Fall Hazard: Stop using crib when child begins to climb out or reaches a height of 35in. (89cm), whichever occurs first. The child should be placed in a youth or regular bed.
- *Check this product for damaged hardware, loose joints, loose bolts or other fasteners, missing parts, or sharp edges before and after assembly and frequently during use. Securely tighten loose bolts and other fasteners. Do not use crib if any parts are missing, damaged or broken. Contact Bellin Creations LLC for replacement parts and instructional literature if needed. Do not substitute parts.
- *Follow warnings on all products in a crib.
- *If refinishing, use a non-toxic finish specified for children's products.
- *Never use plastic shipping bags or other plastic film as mattress covers because they can cause suffocation.
- *Infants can suffocate in gaps between crib sides and a mattress that is too small.
- *Ensure a safe environment for the child by checking regularly, before placing the child in the crib, that every component is properly and securely in place.
- *To avoid head injury, do not allow any child to play underneath the crib.
- *Never add an accessory such as a bassinet or changing table that extends over the sleeping area.
- *In Canada Only - Use a crib mattress that is no thicker than 15 cm and is of such a size that, when it is pushed firmly against any side of the crib, it does not leave a gap of more than 3 cm between the mattress and any part of the sides of the crib. Do not use this crib for a child who can climb out of it or who is taller than 90 cm.

TODDLER BED

⚠️ WARNING

INFANTS HAVE DIED IN TODDLER BEDS FROM ENTRAPMENT.

Openings in and between toddler bed parts can entrap head and neck of a small child.
NEVER use toddler bed with children younger than 15 months.
ALWAYS follow assembly instructions.
 The maximum user weight is 50lbs (22.7kg)

⚠️ WARNING

STRANGULATION HAZARD

NEVER place bed near windows where cords from blinds or drapes may strangle a child.
NEVER suspend strings over a bed.
NEVER place items with a string, cord, or ribbon, such as hood strings or pacifier cords, around a child's neck. These items may catch on bed parts.

⚠️ CAUTION

ENTRAPMENT HAZARD

To avoid dangerous gaps, any mattress used in this bed shall be a full-size crib mattress at least 51 5/8 in (1310mm) in length, 27 1/4 in (690mm) in width and a max thickness of 6in (150mm).

NOTES ON ASSEMBLY:

- During the assembly process whenever using screws or bolts, check each by placing the screw/bolt on the diagram of the item which is drawn actual size and design. Be sure to use the proper size and shape specified in the instructions.
- To assemble this unit you may be required to place the unit on it's side and face. It is strongly recommended that assembly is done on a soft, non-abrasive surface to avoid damaging the finish.

NOTES ON USE:

Keep children and others safe by following these simple rules:

- **Do not** allow any child to play on furniture
- **Do not** allow climbing on any piece of furniture.
- **Do not** allow hanging from any piece of furniture.
- Always monitor your child's activity when in the nursery.

NOTES ON CARE AND MAINTENANCE:

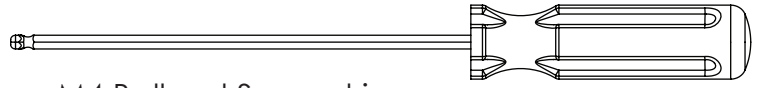
- **Do not** scratch or chip the finish.
- Inspect the product periodically, contact Bellini Creations LLC for replacement parts or questions.
- **Do not** store the product or any parts in extreme temperatures and conditions such as a hot attic or a damp, cold basement. These extremes can cause a loss of structural integrity.
- To preserve the luster of the high quality finish on your product, it is recommended to place a doily or felt pad under any items you place on the finish.
- Clean with a damp cloth, then a dry cloth to preserve the original luster and beauty of this fine finish.
- Do not** use abrasive chemicals.
- Do not** spray cleaners directly onto furniture.
- Lift slightly when moving on carpeting to prevent leg breakage.
- Use of a vaporizer near furniture will cause wood to swell and finish to peel.

Section 2: Toddler Bed Conversion, Step 1

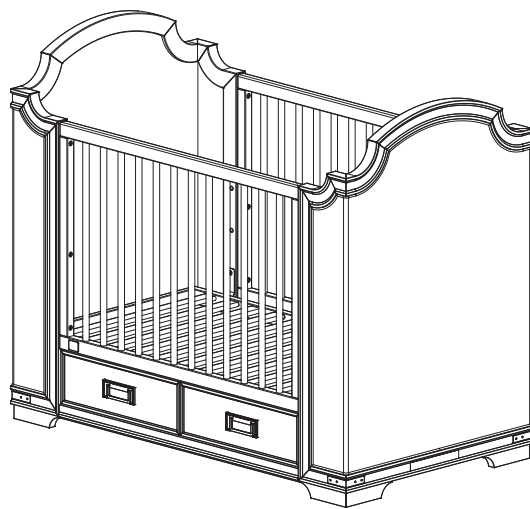
Parts and tools required to complete step



M4 Allen Wrench

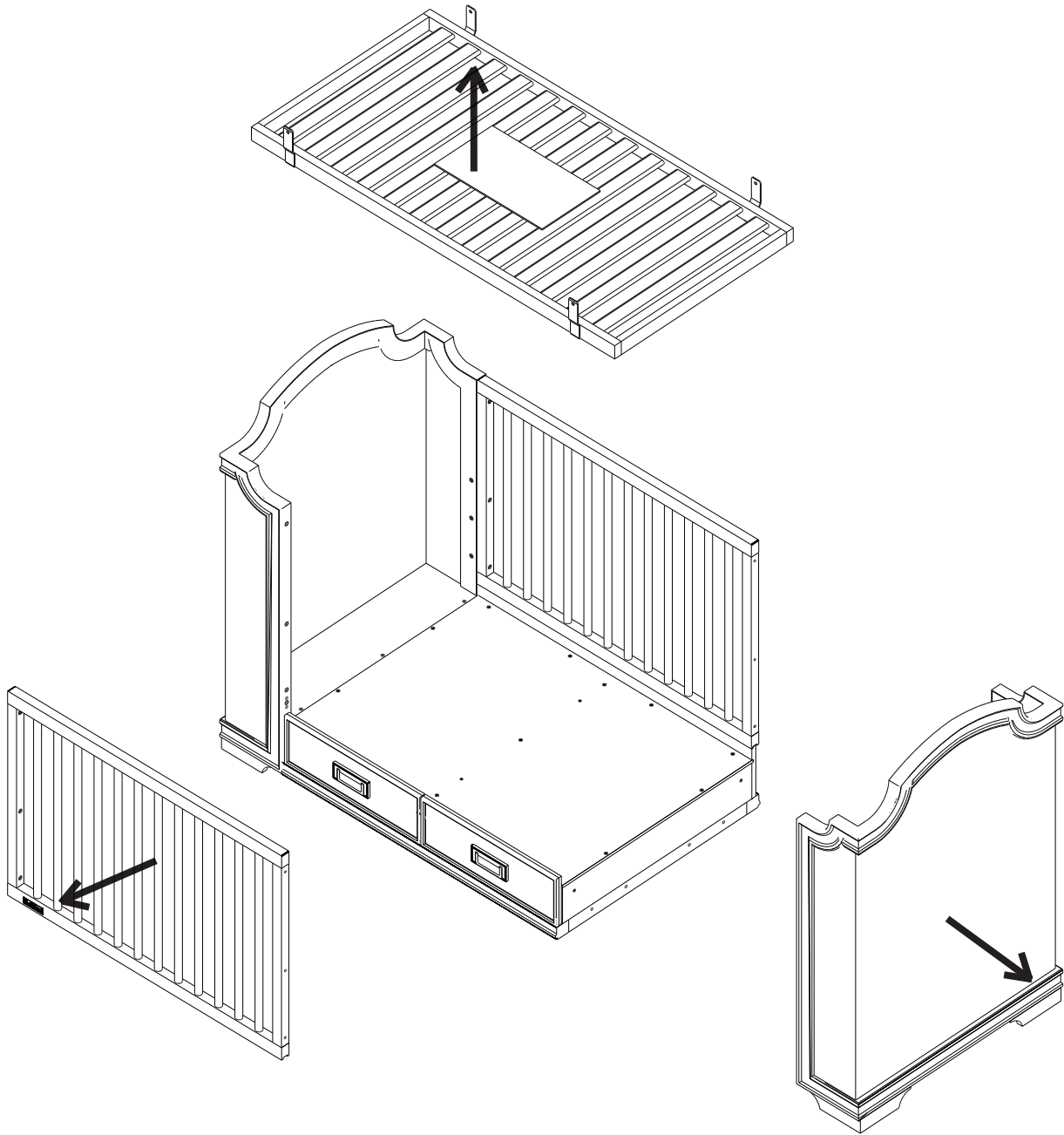


M4 Ballend Screwdriver



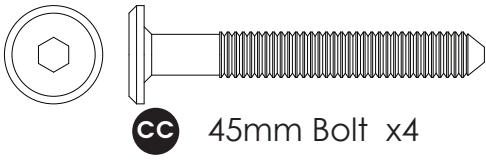
Completed Crib

-
1. Remove the Crib Side installed in Step 6 of Section 1 crib assembly. REMOVE ONLY ONE SIDE.
 2. Remove the mattress support installed in Step 5 of Section 1 crib assembly.
 3. Remove the Crib End installed in Step 3 of Section 1 crib assembly. REMOVE ONLY ONE SIDE.

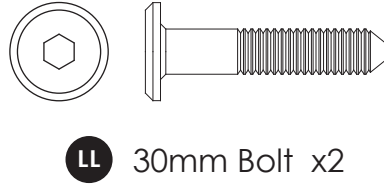


Section 2: Toddler Bed Conversion, Step 2

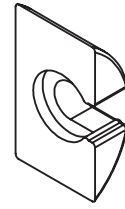
Parts and tools required to complete step



CC 45mm Bolt x4



LL 30mm Bolt x2



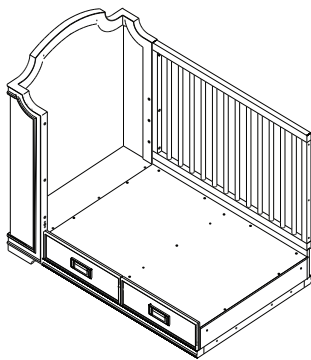
DD Crescent Washer x2



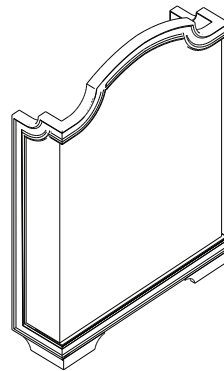
M4 Allen Wrench



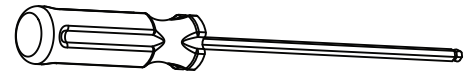
GG Dowel x8



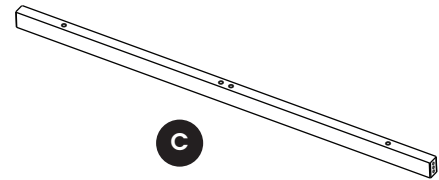
From Section 2: Step 1



A
Crib End x1

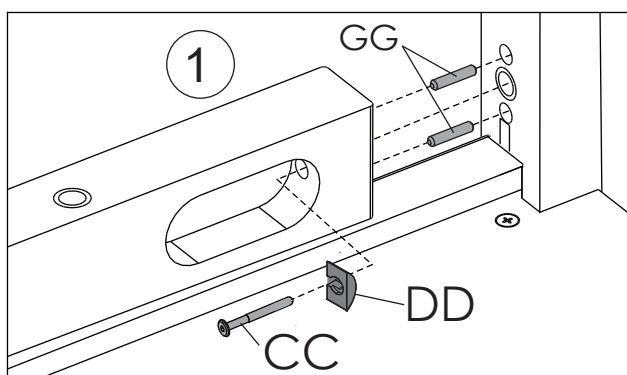
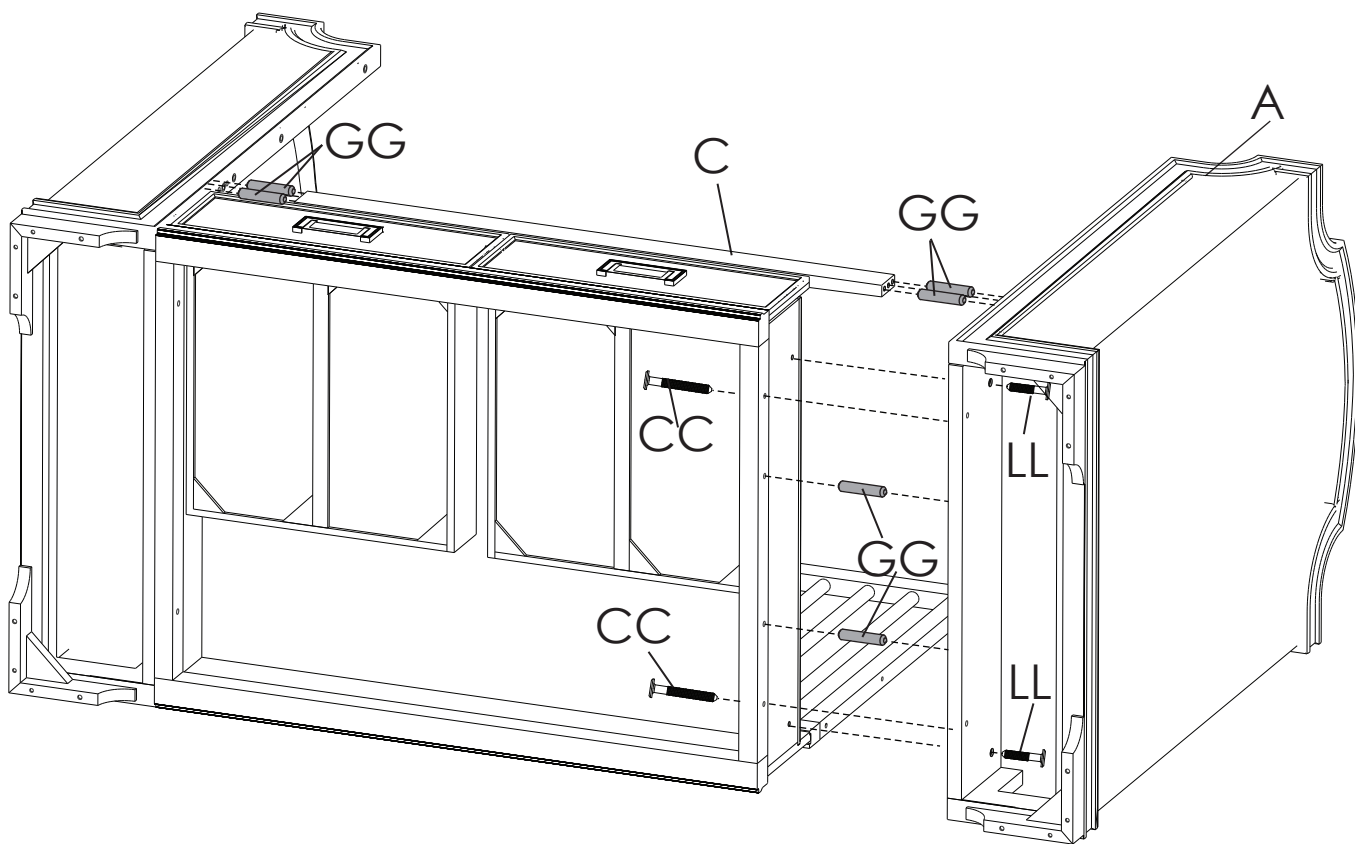


M4 Ballend Screwdriver

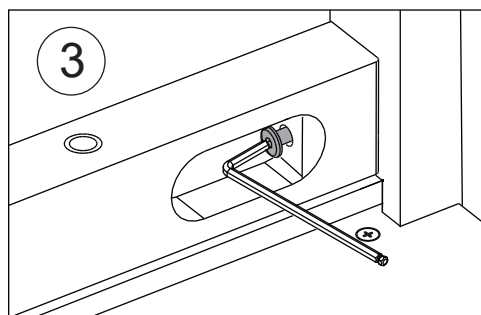
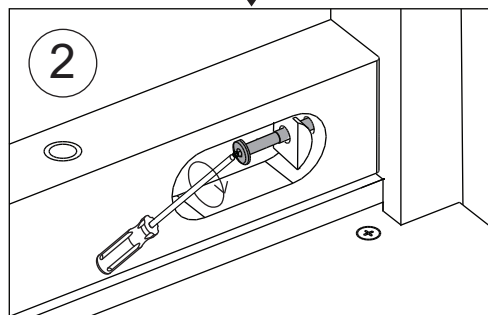


C
Conversion Rail x1

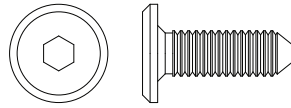
Attach (1) Stabilizer Bar (Part C) and (1) Crib End (Part A) to the assembly from section 2 step 1 using (4) 45mm bolts (Part CC), (2) 30mm bolts (Part LL) (2) Crescent Washer (Part DD) and (8) Dowels (Part GG). Tighten the Bolts with the M4 Ballend Screwdriver and M4 Allen wrench.



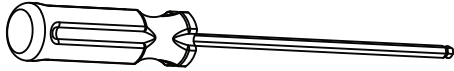
x2



Section 2: Toddler Bed Conversion, Step 3



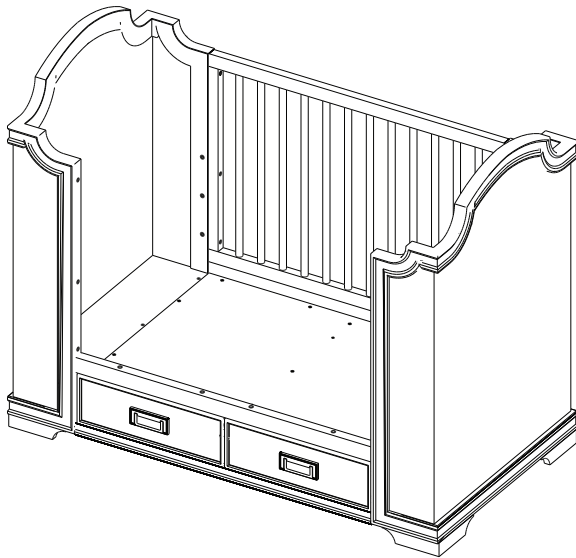
AA 18mm Bolt x4



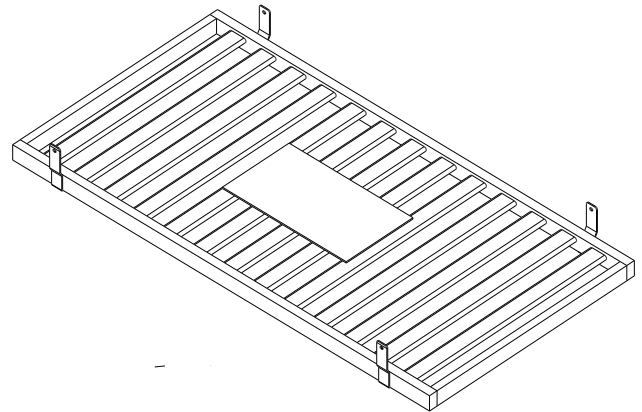
M4 Ballend Screwdriver



M4 Allen Wrench



From Section 2: Step 2



From Section 2: Step 1

Attach the Mattress Support (Part N) in all corners using (1) M6x18 mm Bolt (Part AA) in each corner. Tighten with the M4 Allen Wrench.

The mattress support must be in the lowest positions.

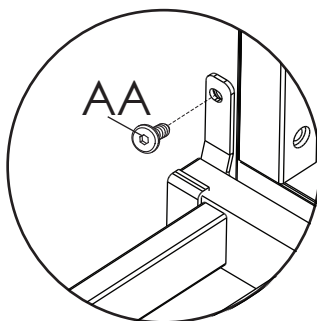
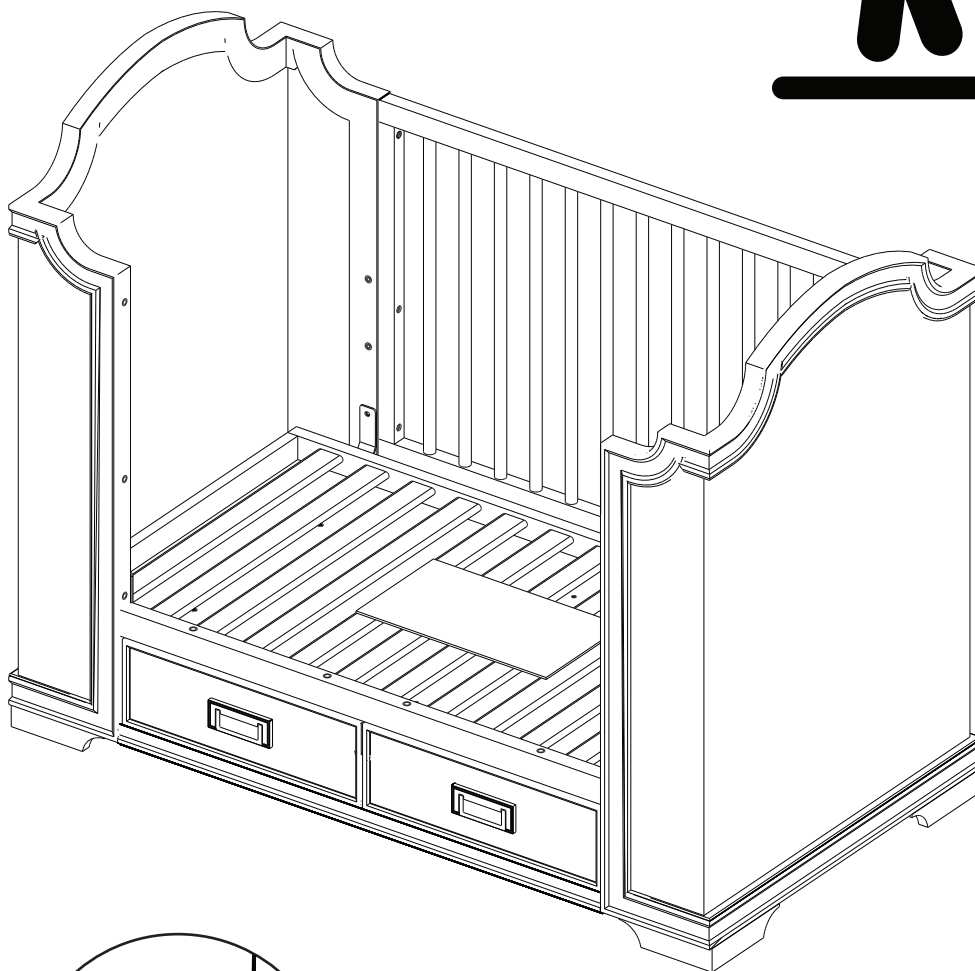
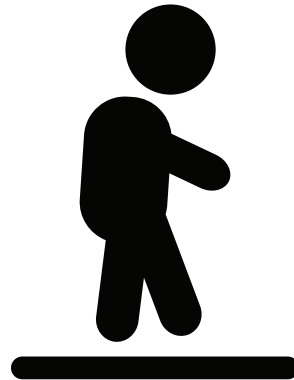
Store all hardware safely. Read all warnings on page 23.

As shown, use as a day bed or love seat sofa. Do Not use without conversion rail installed.

Conversion rail must be used when converted to a toddler bed.

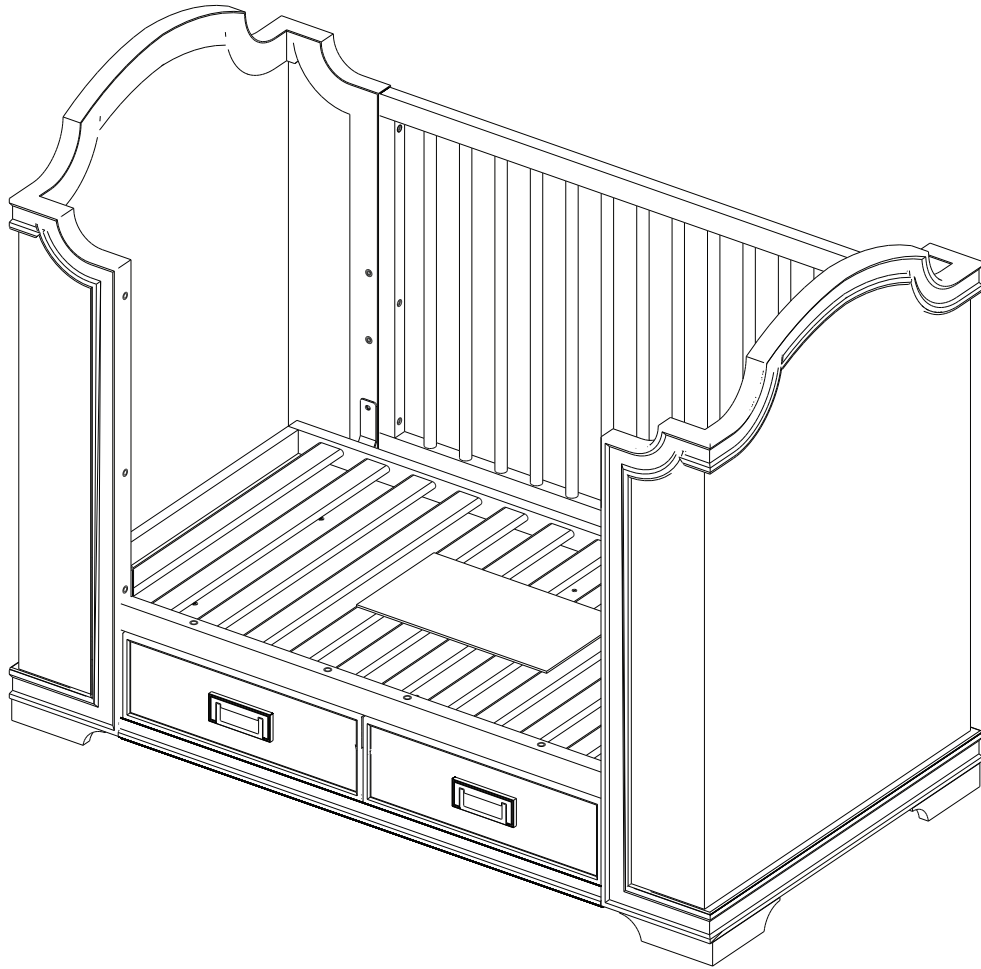
⚠ WARNING:

See page 23 for toddler bed warnings



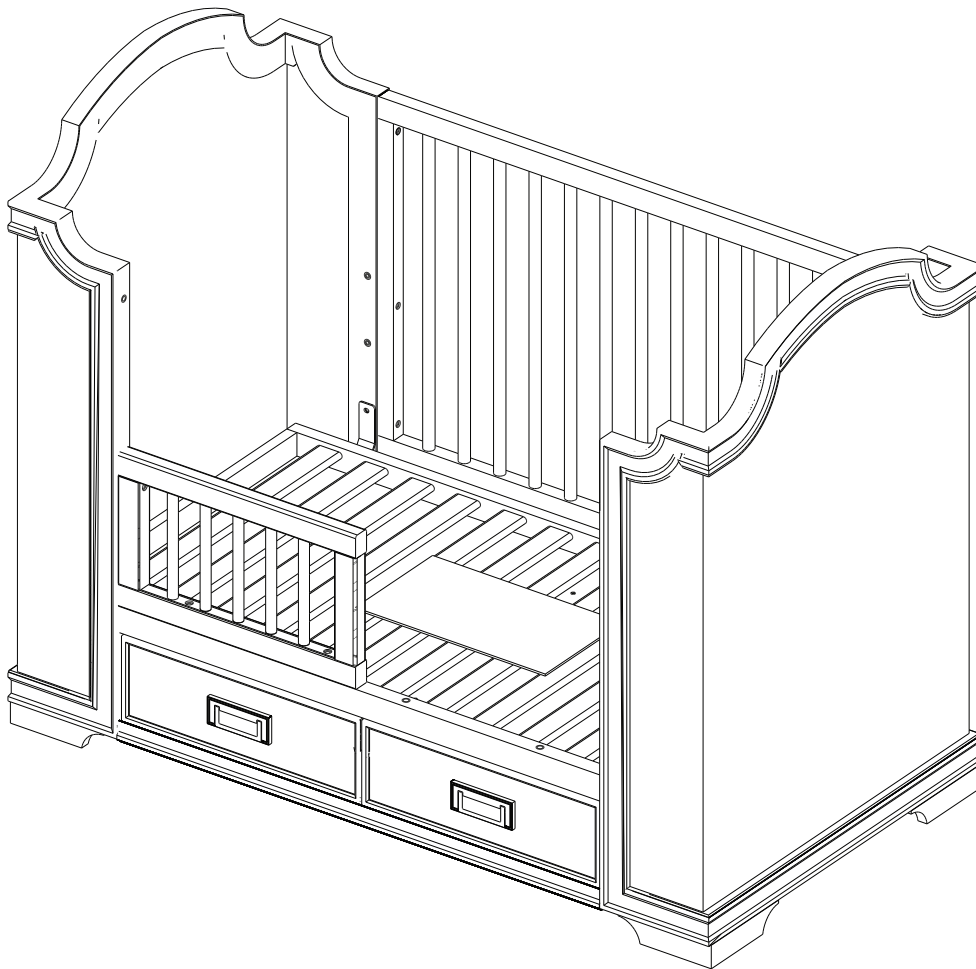
ALL CORNERS

Section 2: Toddler Bed Conversion, Step 4



⚠ WARNING:
See page 23 for toddler bed warnings

The mattress support must be in the lowest positions.
Store all hardware safely.
Read all warnings on page 23.
As shown, use as a day bed or love seat sofa.
Do Not use without conversion rail installed.
Conversion rail must be used when converted to a toddler bed.



A toddler bed guardrail is available for this crib.
Please see your crib retailer, visit www.Bellini.com or contact Bellini Creations LLC
Consumer Care for more information.
This crib uses Style #Z614725. Guardrail.

LIMITED MANUFACTURER WARRANTY

This Bellini Creations LLC product is warranted to be free from defects for a period of 2 years days from the date of purchase under normal use. If a product is defective during this period, we will at our option repair or replace the defective part or product. This limited warranty extends only to the original retail purchaser and is valid only when supplied with proof of purchase, or if received as a gift, when the registration is on file with Bellini Creations LLC. This limited warranty does not cover the following:

- Products purchased as floor models or samples.
- Items purchased on an “as-is” basis, as a second hand product, or as a resale product.
- Items purchased at a Final sale, a “Going out of Business” sale, or a Liquidation sale.

This limited warranty gives you specific legal rights and you may also have other rights which vary from state to state.

TO REGISTER YOUR PRODUCT

for important safety alerts and updates to your product please visit
www.bellini.com



TO REPORT A PROBLEM,

please log on to www.bellini.com/help

Date of Purchase: _____ *(you should also keep your receipt)*

Bellini.

Cuna 4 en 1

Lea todas las instrucciones antes de ensamblar y usar.

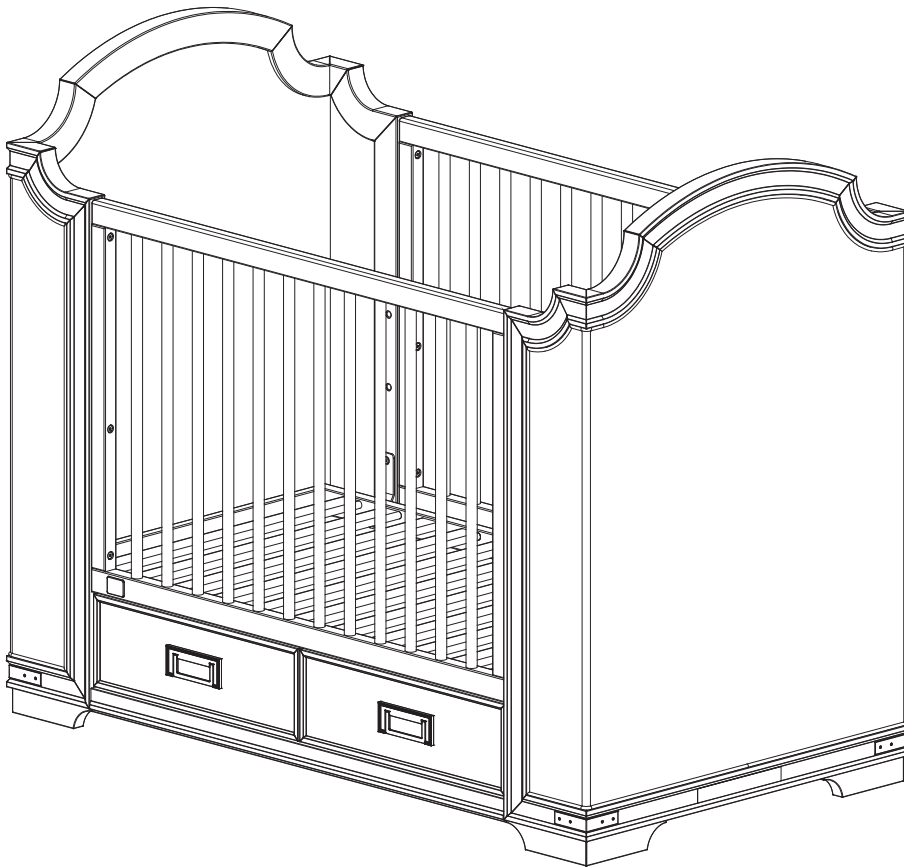
MANTENGA LAS INSTRUCCIONES PARA SU USO FUTURO.

ES

¿NECESITA AYUDA EXTRA?

Hacemos el montaje fácil con nuestros consejos y trucos video <https://www.Bellini.com>

Al contactar al servicio al cliente de Bellini, entregue la información en la página 1. Antes de contactar al servicio de atención al cliente de Bellini, asegúrese de que la información en la página 1 calza con la que aparece en la etiqueta en Lado Izquierdo de la Cuna; al contactar al centro de atención al cliente de Bellini, mencione la información que aparece en el producto.



sample tested to meet U.S. Federal, ASTM and other safety requirements



DEBE SER ENSAMBLADO POR UN ADULTO

Debido a la presencia de piezas pequeñas durante el ensamblaje, mantenga fuera del alcance de los niños hasta que complete el ensamblaje.

Este producto no está hecho para uso institucional o comercial.

CONSEJOS PARA UN SUEÑO SEGURO PARA LOS BEBÉS

Visite **Bellini.com** para obtener más información



Lea todas las advertencias y siga todas las instrucciones.



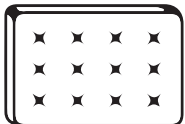
NO coloque artículos en la cuna.



El lugar más seguro para que su bebé duerma es una cuna con certificación JPMA.



Las almohadas y frazadas han provocado asfixia en menores; por lo tanto, **JAMÁS** se deben utilizar en una cuna.



Su bebé debe dormir sobre un colchón firme.



JAMÁS coloque la cuna cerca de una ventana o elementos colgados en las paredes.



Las camas para adultos no son seguras para los bebés: **JAMÁS** duerma con ellos.



¿Le faltan piezas o vienen rotas?
www.Bellini.com/help



APP RECOMIENDA:

Haga que su bebé duerma siempre boca arriba.

Consulte a su médico.

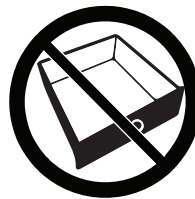
CONSEJOS DE SEGURIDAD SOBRE MUEBLES

Visite **Bellini.com** para obtener más información

PUEDEN PRODUCIRSE LESIONES GRAVES O MORTALES
POR APLASTAMIENTO AL VOLCARSE MUEBLES.



Lea todas las advertencias y siga todas las instrucciones.



NUNCA abra más de un cajón al mismo tiempo.



Utilice **SIEMPRE** las retenciones contra volcamiento incluidas



NO DEJE cajones abiertos si no los está utilizando.



NO posicione televisores u otros objetos pesados sobre la cama o muebles para infantes.



NUNCA permita que los niños trepen sobre cajones, puertas o baldas de estantería ni que se cuelguen de ellos.

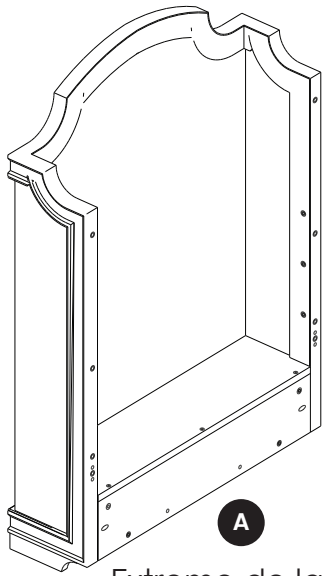


Coloque los artículos de mayor peso en los cajones inferiores.

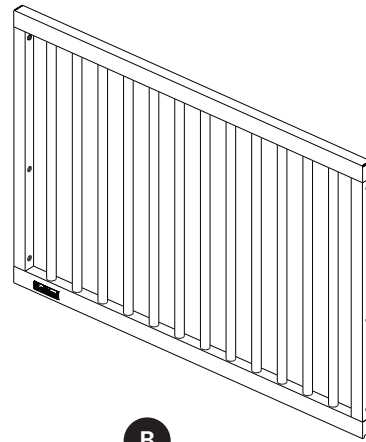


¿Le faltan piezas o vienen rotas?
www.Bellini.com/help

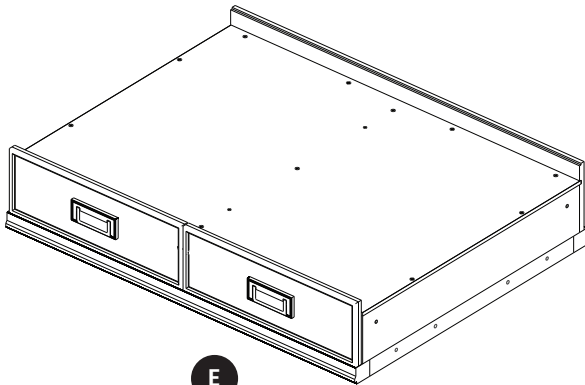
PIEZAS: ASEGÚRESE DE QUE TODAS LAS PIEZAS PRE-ENSAMBLADAS ESTÁN BIEN APRETADAS.



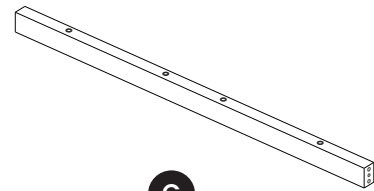
A
Extremo de la cuna x2
#44488



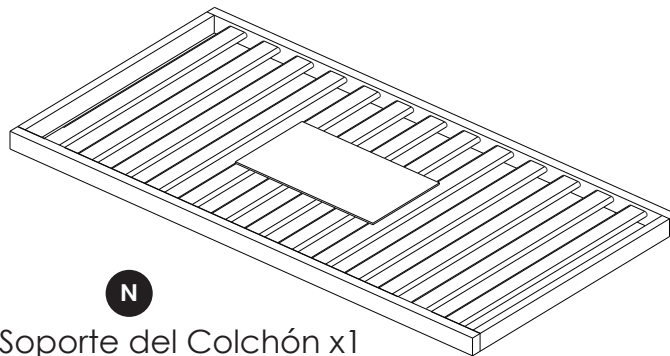
B
Lado de la cuna x2
#44489



E
Base x1
#44493



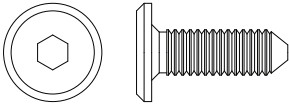
C
Barra estabilizadora x1
#44490



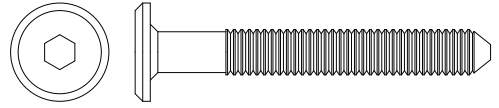
N
Soporte del Colchón x1
#44487

Funda adjunta al colchón Soporte: guarde las instrucciones en esta funda después de armar. Las advertencias Relacionadas con el uso seguro de esta cuna están impresas en la funda.

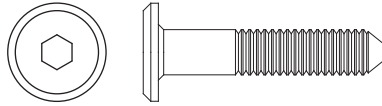
Piezas: El kit de herramientas - Pieza #44498



AA Perno 18mm x8
5763



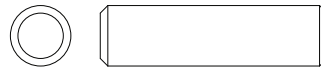
CC Perno 45mm x16
5466



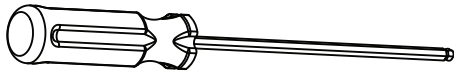
LL Perno 30mm x4
6232



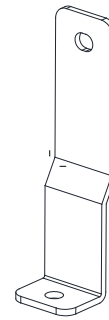
DD Arandela de media luna x2
5202



GG Pasador x8
5486



destornillador M4 con cabeza de bola
5818



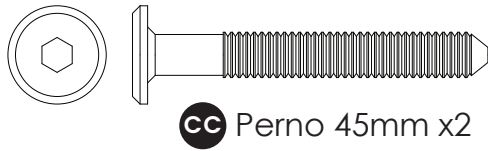
BB Abrazadera x4
#44500



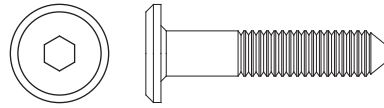
Llave Allen M4
1177

Sección 1: Montaje de la cuna, Paso 1

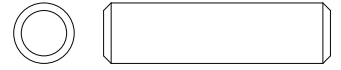
Piezas y herramientas necesarias para completar este paso



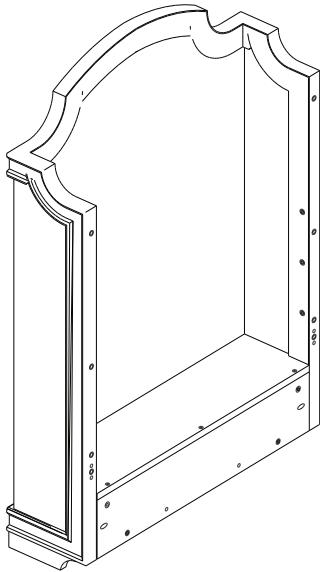
CC Perno 45mm x2



LL Perno 30mm x2

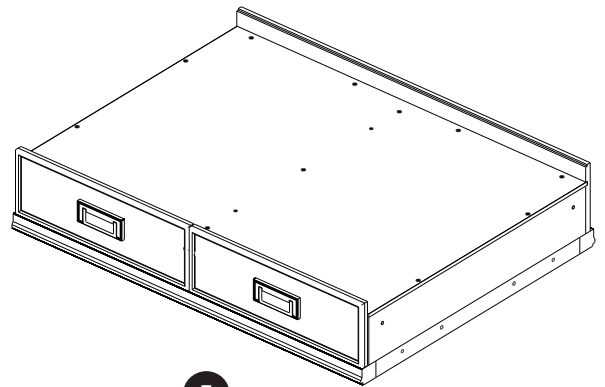


GG Pasador x2



A

Extremo de la cuna x1



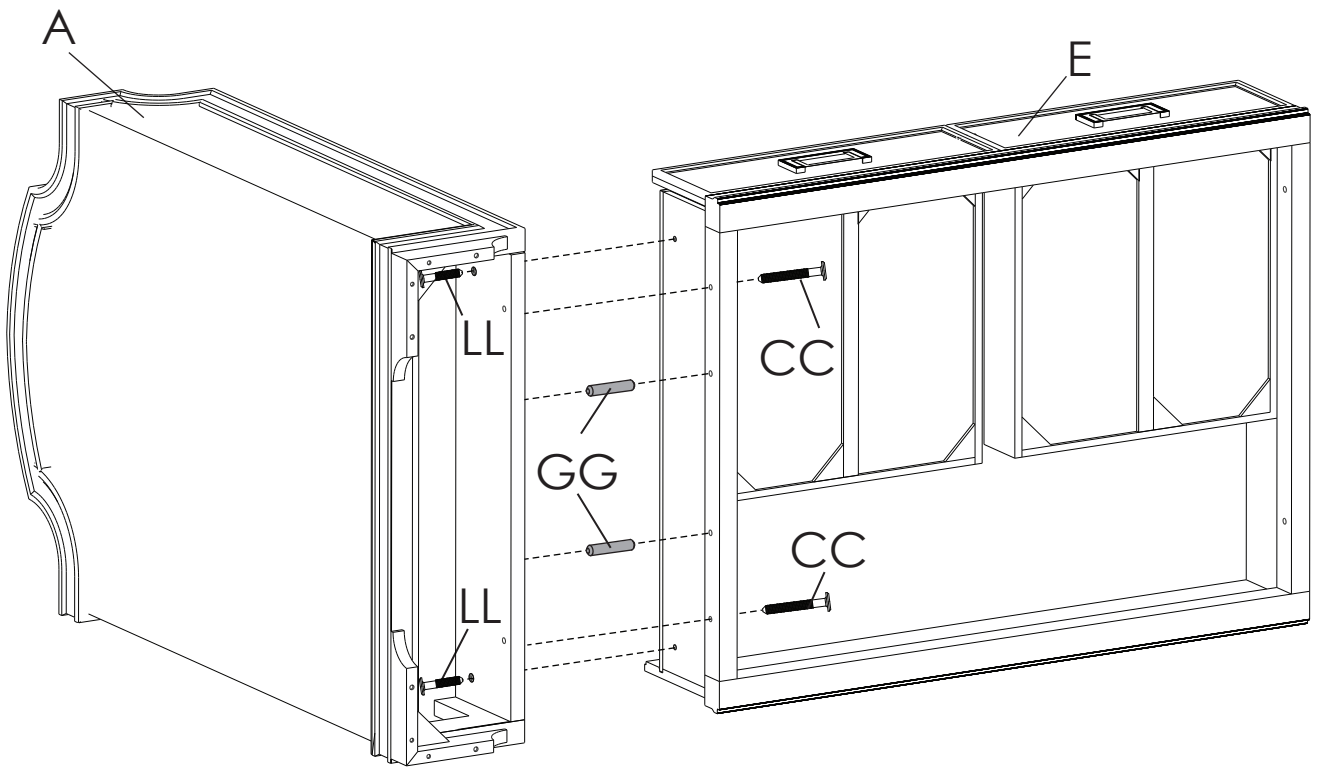
E

Base x1



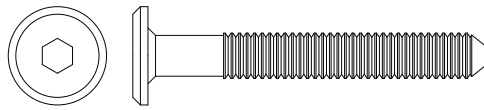
Llave Allen M4

Fije (1) Extremo de la cuna (Pieza A) al la Base (Pieza E) utilizando (2) Pernos 45mm (Pieza CC), (2) Pernos 30mm (Pieza LL) y (2) Pasadors (Pieza GG) utilizando el llave Allen M4.

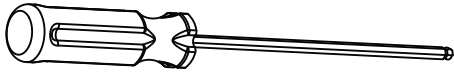


Sección 1: Montaje de la cuna, Paso 2

Piezas y herramientas necesarias para completar este paso



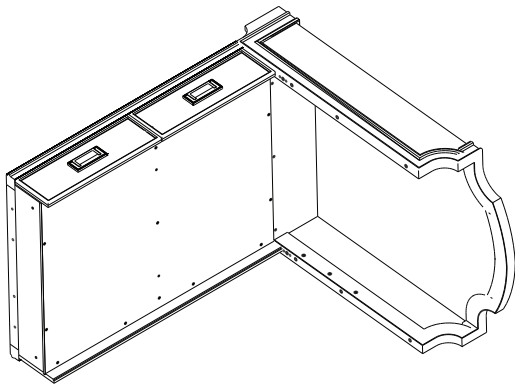
CC Perno 45mm x3



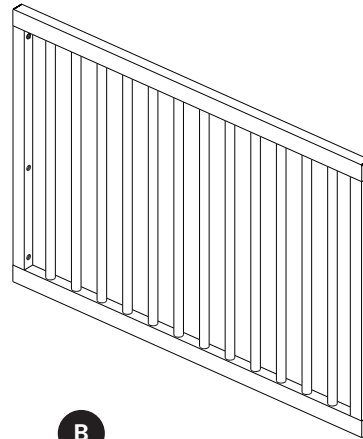
destornillador M4 con cabeza de bola



Llave Allen M4

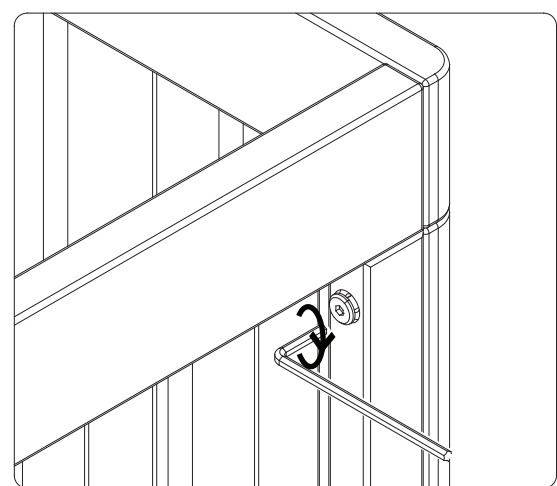
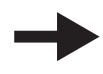
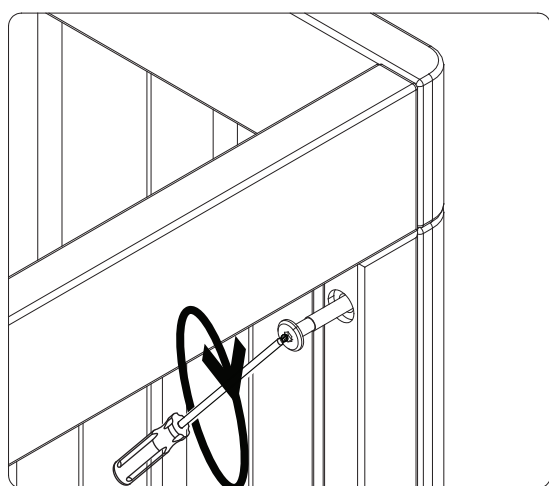
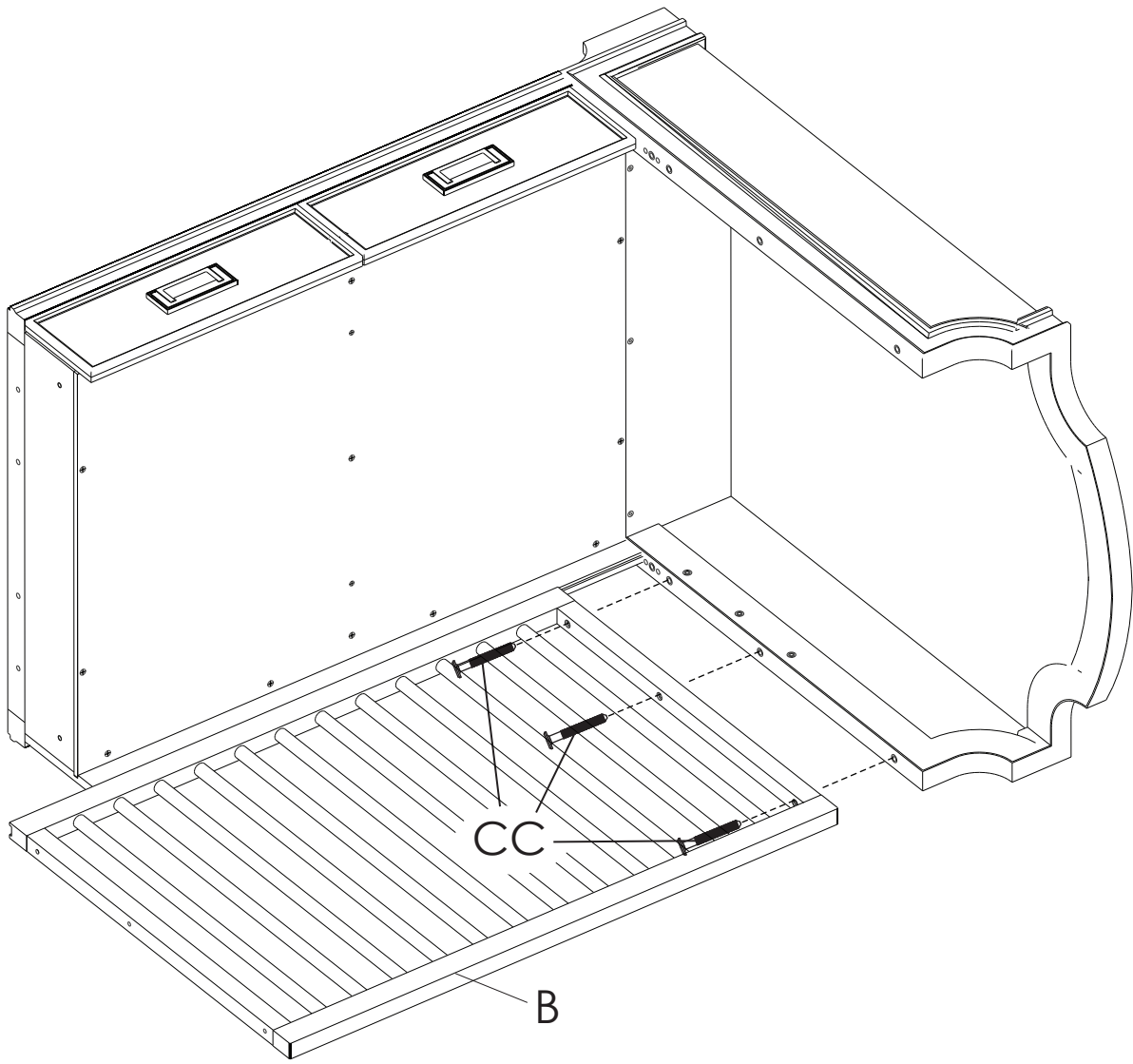


Desde el paso 2



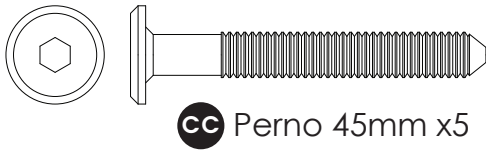
Lado de la cuna x1

Una (1) Lado de la cuna (pieza B) a lo que ha montado en el Paso 2 con ayuda de (3) pernos 45 mm (pieza CC), utilizando el destornillador M4 con cabeza de bola y la llave Allen M4.

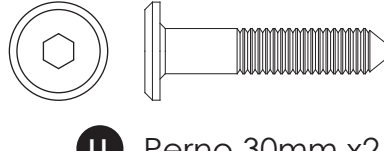


Sección 1: Montaje de la cuna, Paso 3

Piezas y herramientas necesarias para completar este paso



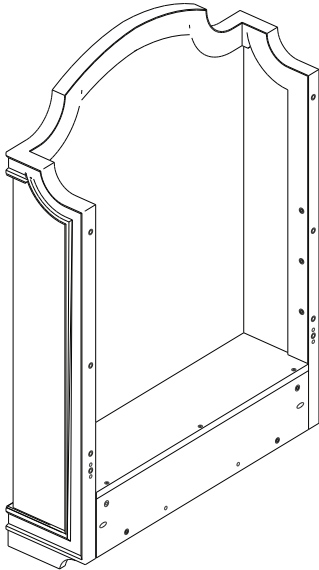
CC Perno 45mm x5



LL Perno 30mm x2

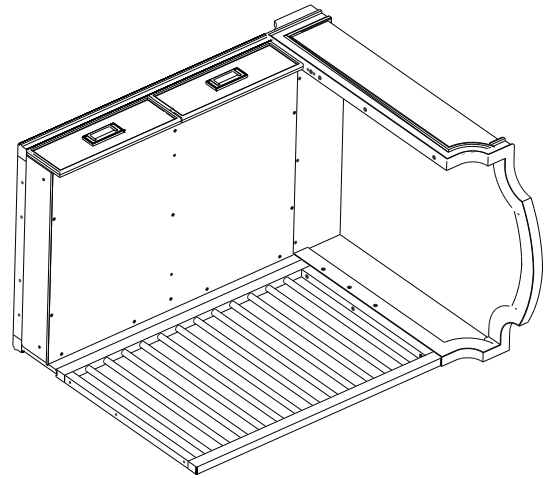


GG Pasador x2



A

Extremo de la cuna x1

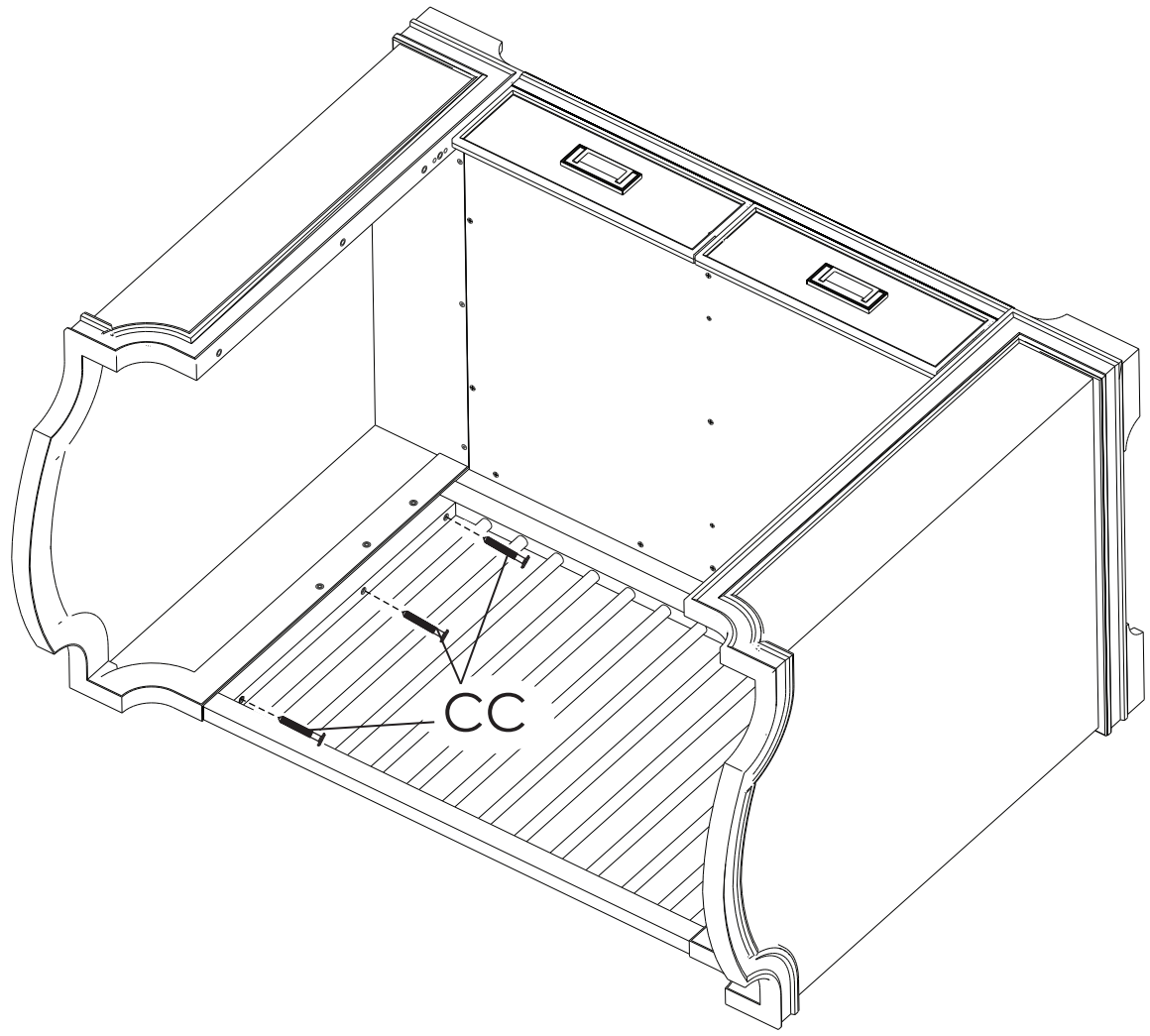
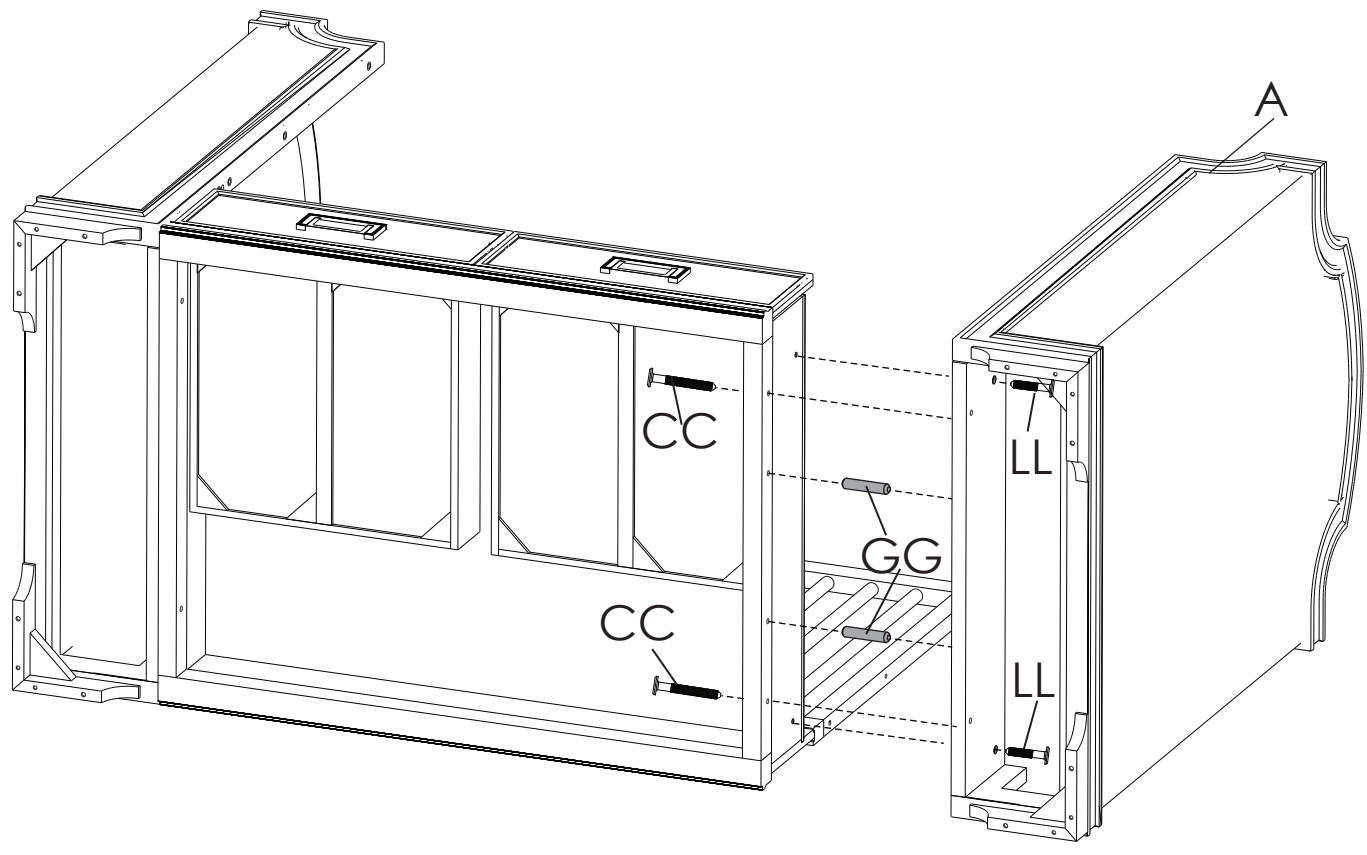


Desde el paso 3



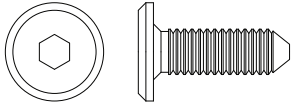
Llave Allen M4

Fije (1) Extremo de la cuna (Pieza A) a lo que ha montado en el Paso 3 utilizando (5) Pernos 45mm (Pieza CC), (2) Pernos 30mm (Pieza LL) y (2) Pasadors (Pieza GG) utilizando el llave Allen M4.

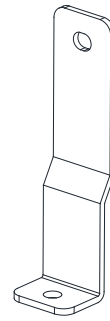


Sección 1: Montaje de la cuna, Paso 4

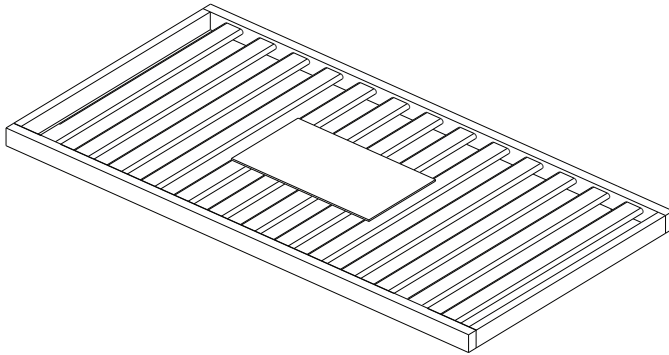
Piezas y herramientas necesarias para completar este paso



AA Perno 18mm x4



BB Abrazadera x4



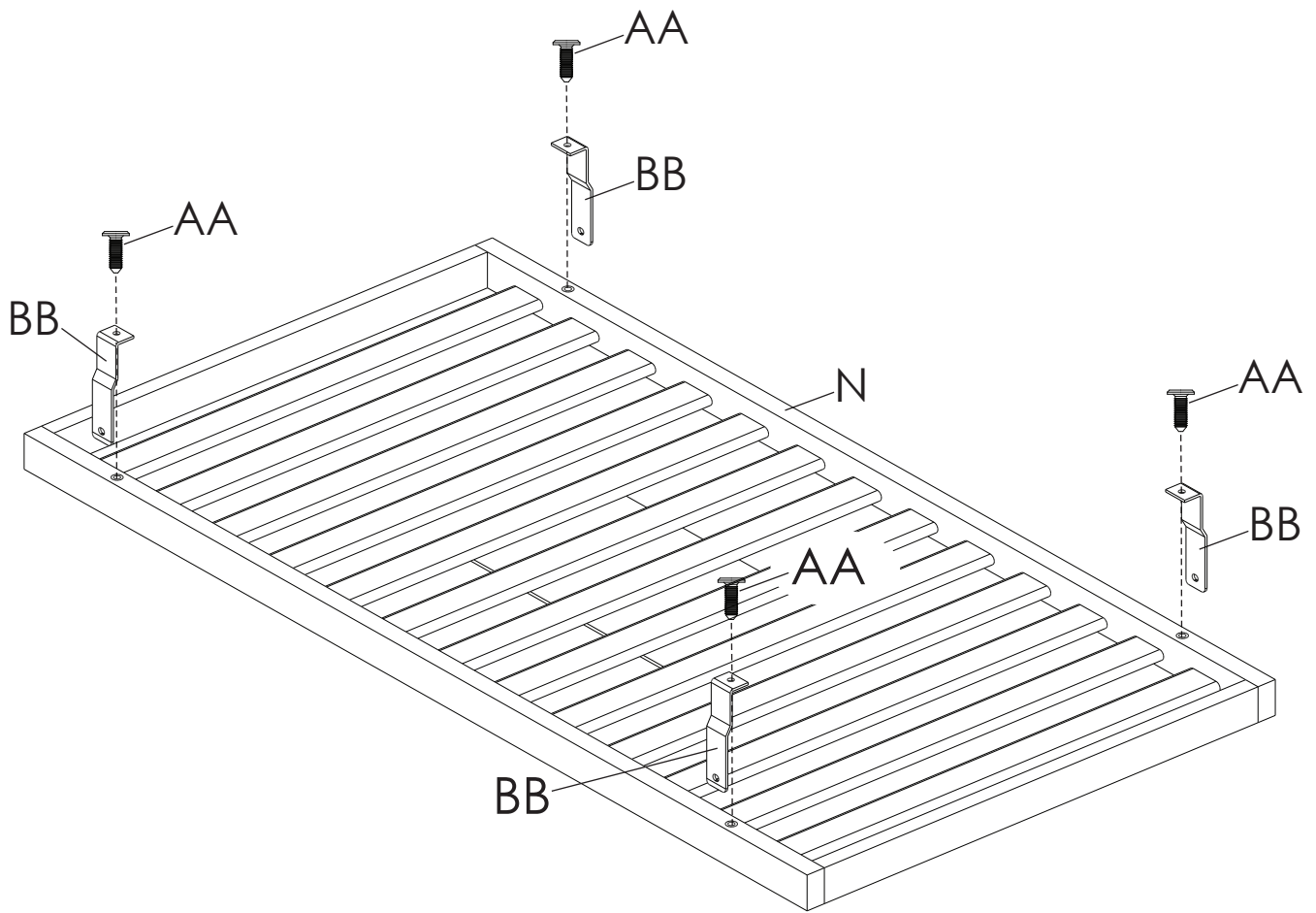
N

Soporte del Colchón x1



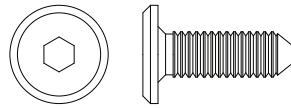
Llave Allen M4

Fije (4) Abrazadera (Pieza BB) al Soporte del Colchón (Pieza N) utilizando (4) Pernos 18mm (Pieza AA) . Apriete con la llave Allen M4.

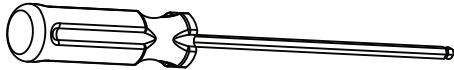


Sección 1: Montaje de la cuna, Paso 5

Piezas y herramientas necesarias para completar este paso



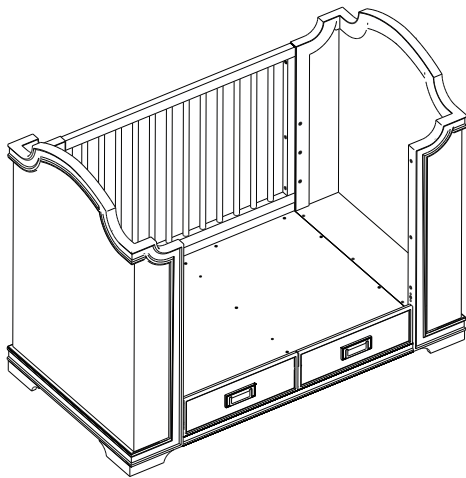
AA Perno 18mm x4



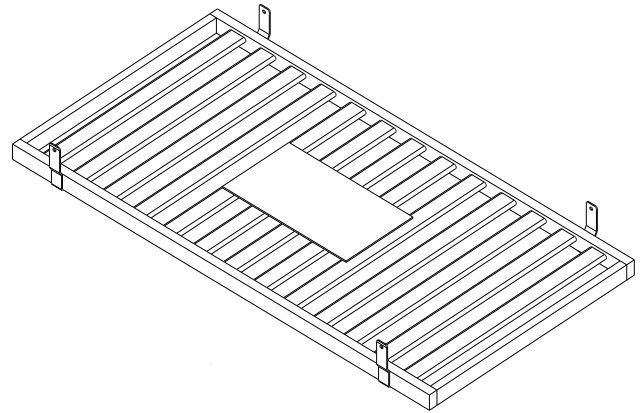
destornillador M4 con cabeza de bola



Llave Allen M4



Desde el paso 4



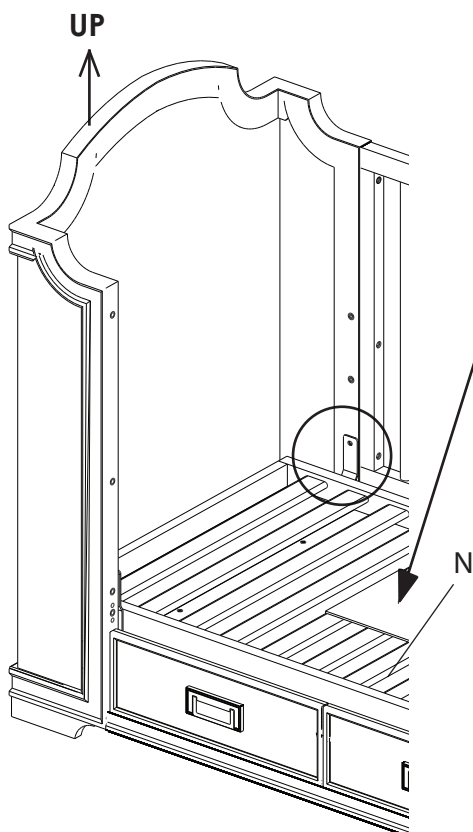
Desde el paso 5

Fije sin apretar el Soporte del Colchón (Pieza N) en todas las esquinas utilizando (1) Perno M6 x 18 mm (Pieza AA) en cada una de las esquinas. Utilizando el destornillador M4 con cabeza de bola y la llave Allen M4.

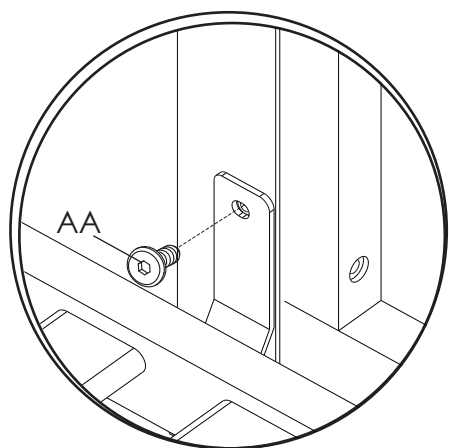
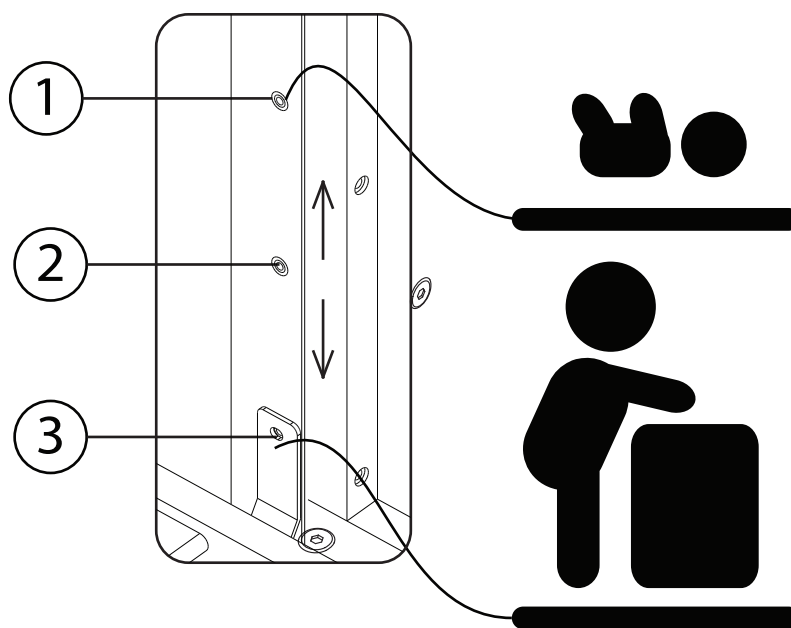
Las **⚠** ADVERTENCIAS impresas en la bolsa unida al soporte del colchón deben quedar boca arriba. La cuna tiene (3) posiciones de ajuste, utilice las más altas solo para recién nacidos y baje el colchón a medida que el niño vaya creciendo.

⚠️ ADVERTENCIA:

Riesgo de Caída: Cuando el niño pueda ponerse de pie, ponga la cuna en la posición más baja y saque las almohadillas de protección, juguetes grandes y otros objetos que puedan servir como escalones.



⚠️ LAS ADVERTENCIAS DE LA BOLSA DEBEN QUEDAR BOCA ARRIBA.

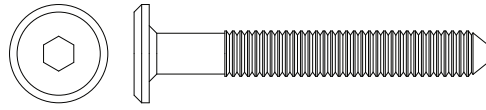


TODAS LAS ESQUINAS

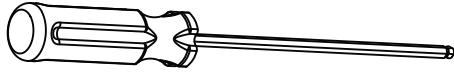
Para ajustar el Soporte del Colchón a 1 de los 3 posiciones de la altura saque los pernos 18mm (Pieza AA). Luego, instale el Soporte del Colchón en la posición deseada.

Sección 1: Montaje de la cuna, Paso 6

Piezas y herramientas necesarias para completar este paso



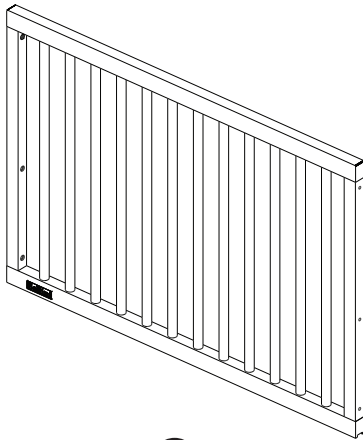
CC Perno 45mm x6



destornillador M4 con cabeza de bola

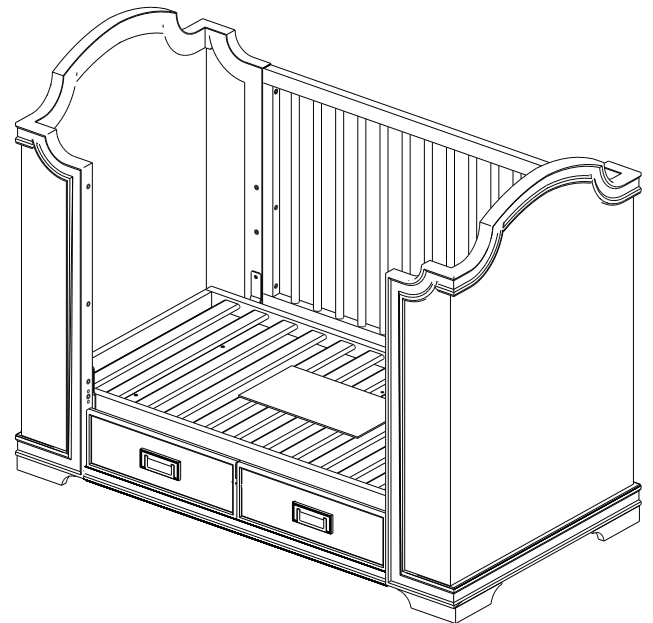


Llave Allen M4



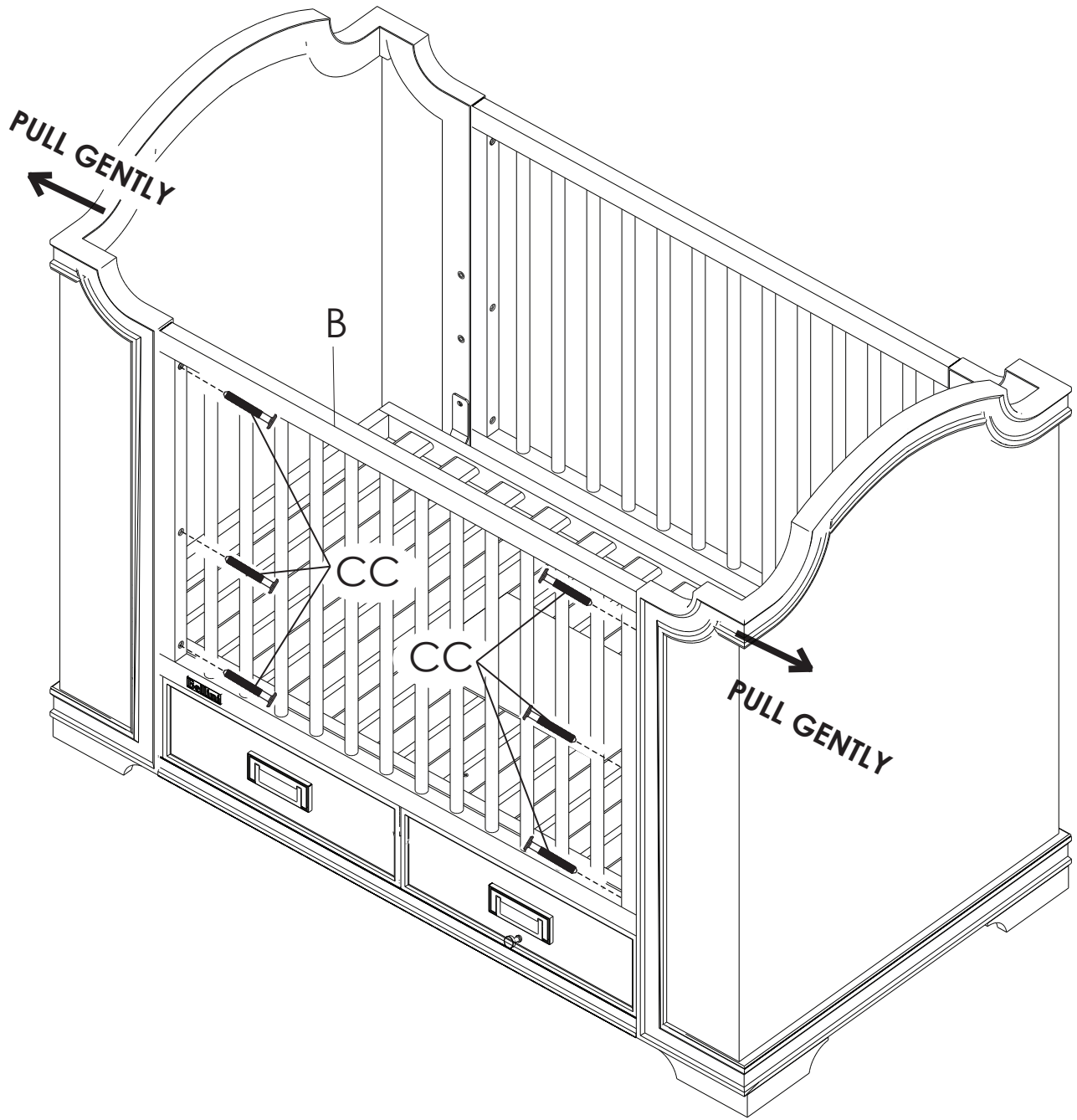
B

Lado de la cuna x2



Desde el paso 6

Una (1) Lado de la cuna (pieza B) a lo que ha montado en el Paso 6 con ayuda de (6) pernos 45 mm (pieza CC).
 Apretar todos los tornillos, incluyendo los que se habían dejado sueltos en los paso 6 con la Llave Allen M4



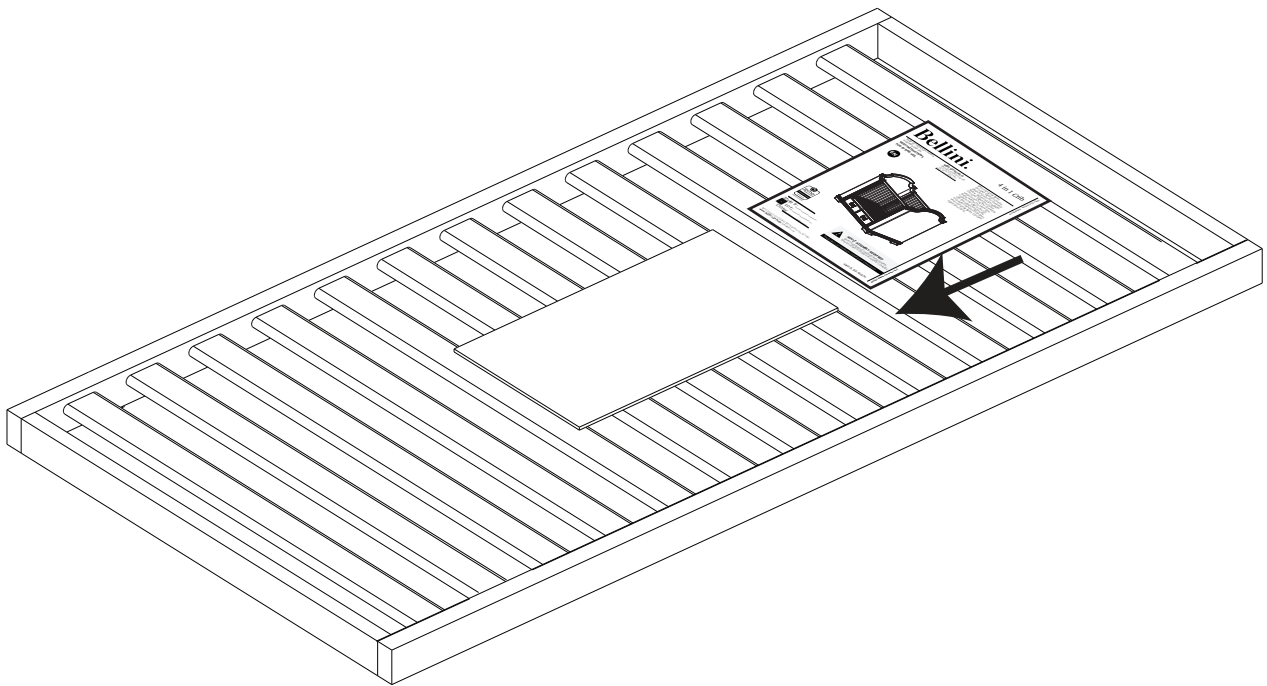
Sección 1: Montaje de la cuna, Paso 7

Piezas y herramientas necesarias para completar este paso



Libro de instrucciones de armado

Guarde las instrucciones en la bolsa que está en el soporte del colchón. Guarde todas las piezas y herramientas por separado, en un lugar seguro.

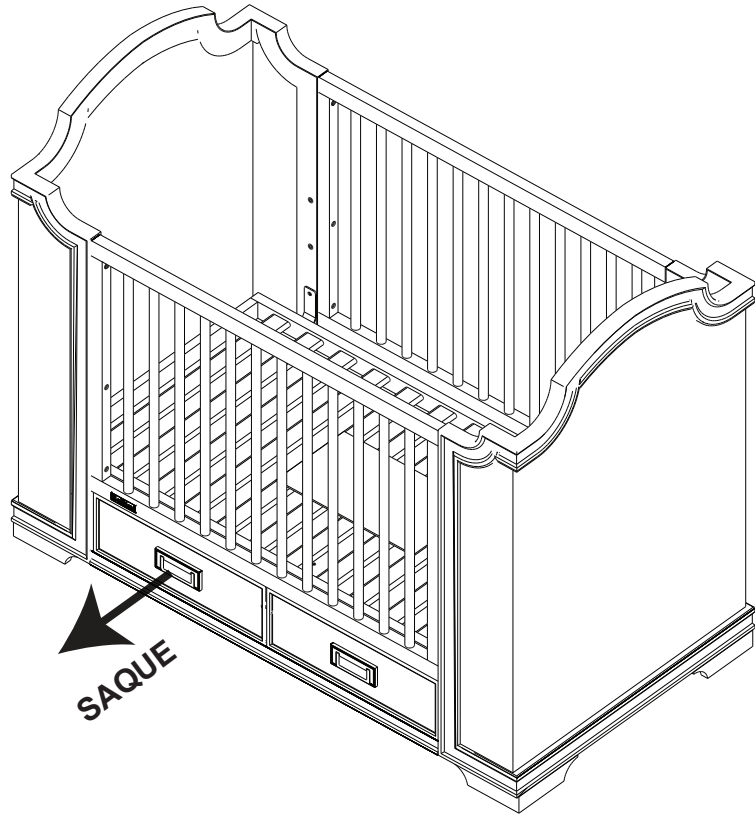


⚠ ADVERTENCIA:

Vea la página 58 para obtener información

COMO LA FUNCIÓN DE DESLIZAMIENTO DEL CAJÓN

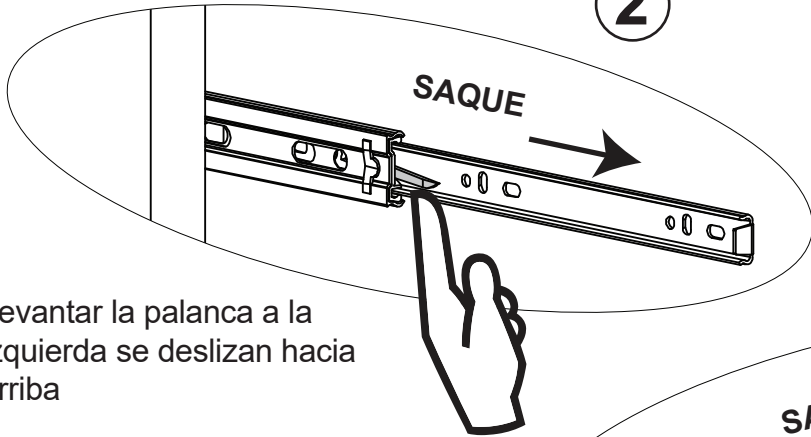
1



Izquierdo

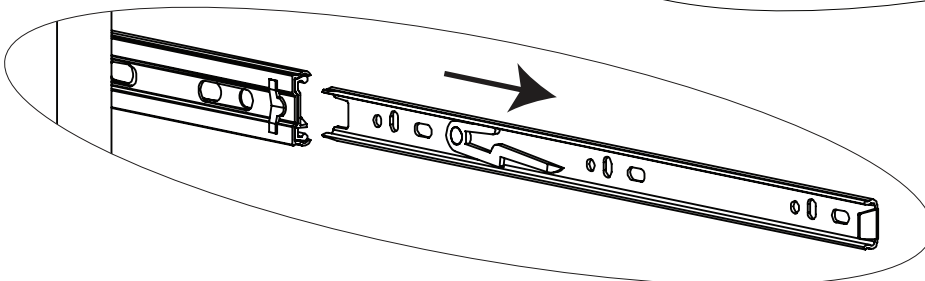
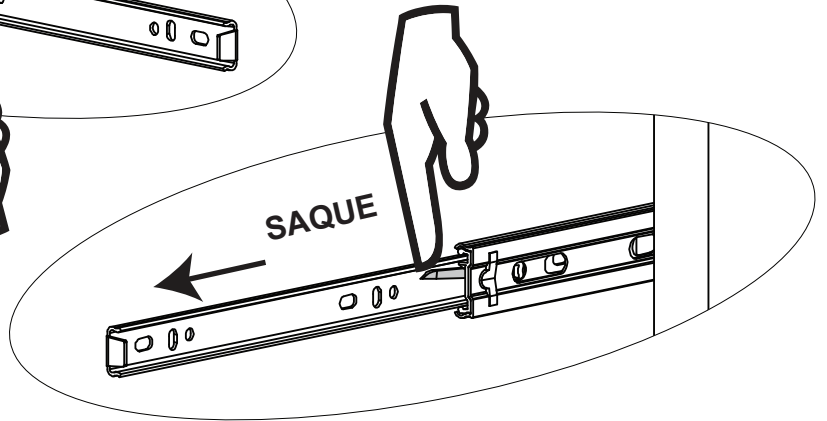
2

Derecho



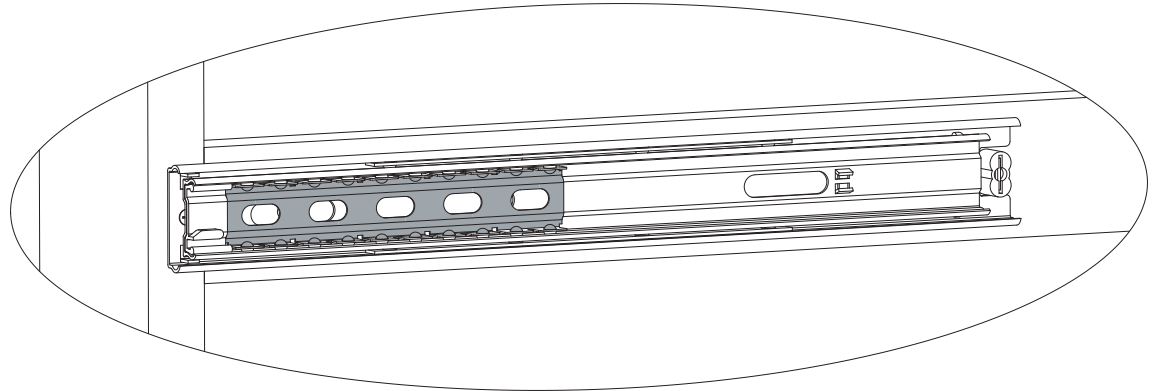
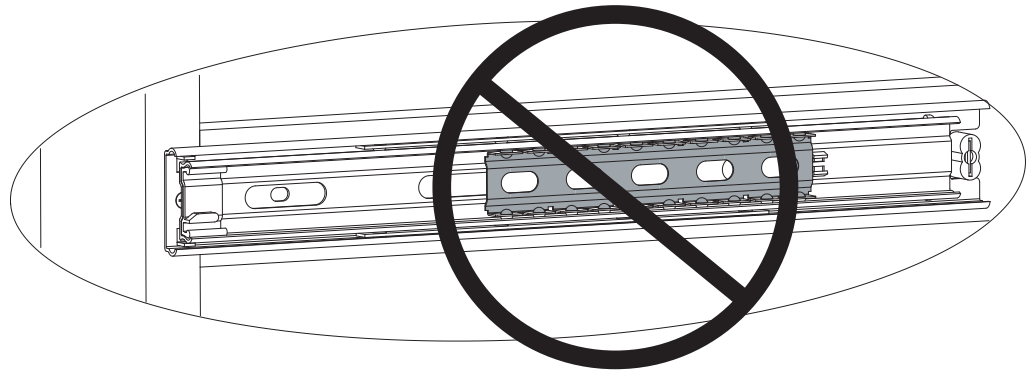
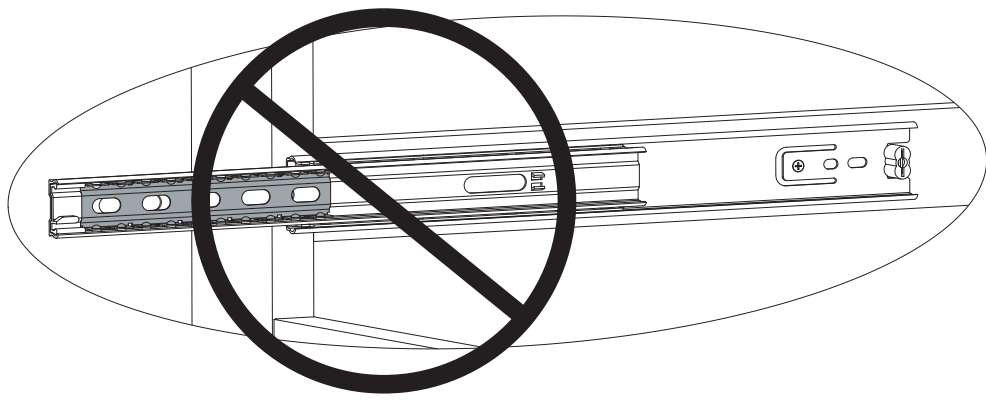
Levantando la palanca a la izquierda se desliza hacia arriba

Empujar la palanca a la derecha se desliza por

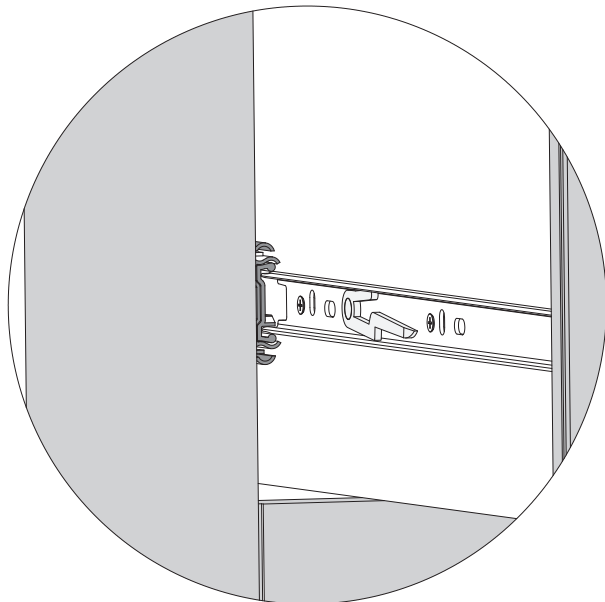


3

La parte plateada de la guía de la gaveta debe estar al frente de la guía cuando se está armando la cómoda.



Para insertar la gaveta alinear runner mujer en la gaveta para de hombre runner case y empuje hasta el fondo.



⚠️ ATENCIÓN:

CUALQUIER COLCHÓN QUE SE UTILICE EN ESTA CUNA DEBE TENER AL MENOS 69CM POR 131CM CON UN ESPESOR QUE NO EXCEDA LAS 15CM.

⚠️ ADVERTENCIA:

- *Niños pequeños y bebés pueden ahogarse en una cama blanda. Nunca añada una almohada ni un edredón. Nunca coloque almohadillado adicional debajo de un bebé.
- *No hacer caso de estas advertencias ni seguir las instrucciones de montaje puede producir lesiones graves o muerte. NO USE esta cuna si no puede seguir las instrucciones al pie de la letra.
- *Para reducir el riesgo de SMSL (síndrome de muerte súbita del lactante), los pediatras recomiendan que se ponga a dormir a los bebés boca arriba, a no ser que su médico aconseje lo contrario.
- *Lea todas las instrucciones antes de montar la cuna. CONSERVE LAS INSTRUCCIONES PARA USAR LAS EN EL FUTURO. No use esta cuna si no puede seguir las instrucciones al pie de la letra.
- *Peligro de estrangulación: ¡LAS CUERDAS PUEDEN PROVOCAR ESTRANGULACIÓN! No coloque artículos con cuerdas alrededor del cuello de un niño, como cuerdas de capuchas o de chupetes. No suspenda cuerdas sobre la cuna ni ate cordones a juguetes.
- *Peligro de estrangulación: Para ayudar a prevenir estrangulaciones, apriete todos los elementos de sujeción. A un niño se le pueden quedar atrapadas partes del cuerpo o ropa en elementos de sujeción que estén sueltos.
- *Peligro de estrangulación: No coloque la cuna cerca de una ventana o puerta donde cordones de cortinas o persianas puedan estrangular al niño.
- *Peligro de caídas: Cuando el niño sea capaz de ponerse de pie, ponga el colchón en la posición más baja y quite las almohadillas paragolpes, juguetes grandes y otros objetos que le pudieran servir como escalones para trepar y saltar fuera. Esta cuna tiene un soporte de colchón regulable. Para comodidad del progenitor cuando el bebé es muy pequeño, el soporte de colchón puede ser utilizado en la posición más alta. Asegúrese bien de que la parte superior del lado frontal de la cuna está al menos 3 pulgadas (7,62 cm) más alto que la superficie superior del colchón. En caso contrario, baje el soporte del colchón y el colchón hasta la siguiente posición más alta.
- *Peligro de caídas: deje de utilizar la cuna cuando el niño comience a trepar o alcance una altura de 35 pulgadas (89 cm), lo que ocurra primero. Debería colocarse al niño en una cama normal o juvenil.
- *Compruebe que este producto no contiene componentes o utensilios dañados, los pernos sueltos o otros elementos de sujeción, juntas sueltas ni bordes afilados, ni que falta ningún componente, antes y después del montaje y con frecuencia durante su uso. Apriete firmemente los pernos sueltos y otros elementos de sujeción. No utilice la cuna si le falta alguna pieza, o alguna está dañada o rota. Póngase en contacto con Bellini Creations LLC si necesita recambios o instrucciones escritas. No sustituya ninguna pieza.
- *Haga caso a las advertencias de todos los productos que haya en la cuna.
- *Si le aplica un nuevo acabado, utilice un acabado no tóxico específico para productos infantiles.
- *Nunca utilice bolsas de transporte de plástico ni ningún otro tipo de película plástica para cubrir el colchón porque puede provocar asfixia.
- *Los bebés se pueden ahogar en el espacio que queda entre los lados de la cuna y un colchón que es demasiado pequeño. Utilice un colchón para cunas no más grueso que 15 cm y que tenga un tamaño tal que al empujarlo firmemente contra cualquier lado de la cuna no deje una separación de más de 3 cm entre el colchón y cualquier parte de los lados de la cuna.
- *Asegure un espacio seguro para su bebé comprobando con regularidad, antes de colocar el bebé en la cuna, que todos los componentes se encuentran de forma segura en el sitio correcto.
- *Para evitar lesiones en la cabeza, no deje que los niños jueguen debajo de la cuna.
- *Nunca añada accesorios como un moisés o una mesa para cambiarle que se extienda por encima de la zona donde duerme.
- *En Canadá sólo - Utilice un colchón para cunas no más grueso que 15 cm y que tenga un tamaño tal que al empujarlo firmemente contra cualquier lado de la cuna no deje una separación de más de 3 cm entre el colchón y cualquier parte de los lados de la cuna. No use esta cuna para un niño que pueda salir de ella o que es más alto que 90 cm.

CAMAS DE NIÑOS

⚠️ ADVERTENCIA

HAN FALLECIDO BEBÉS Y NIÑOS EN CAMAS DE NIÑOS PEQUEÑOS AL QUEDARSE ATRAPADOS.

La cabeza y el cuello de los niños pequeños pueden quedar atrapados en aberturas de alguna parte de la cama de niños o entre componentes de la misma.

NUNCA utilice la cama de niños para niños de menos de 15 meses.

Siga SIEMPRE las instrucciones de montaje.

El peso máximo del usuario no debe exceder de 50lb (22,7kg)

⚠️ ADVERTENCIA

PELIGRO DE ESTRANGULACIÓN

NUNCA coloque la cama cerca de ventanas donde las cuerdas de las persianas o cortinas puedan estrangular el niño.

NUNCA coloque cuerdas suspendidas sobre una cama.

NUNCA coloque artículos que tengan una cuerda, lazo o cordón, como cuerdas de capuchas o de chupetes. Se pueden quedar enganchados de alguna parte de la cama.

⚠️ ATENCIÓN

PELIGRO DE QUEDARSE ATRAPADO

Para evitar brechas peligrosas, el colchón que se use en esta cama debe ser de tamaño completo, de al menos 51 5/8 pulg. (1310 mm) de largo, 27 1/4 pulg. (690 mm) de ancho y 6pulg. (150 mm) de grosor.

INFORMACIÓN SOBRE EL MONTAJE:

-Durante el proceso de montaje, ya utilice pernos o tornillos, compruebe cada uno de ellos colocando el perno/tornillo en el diagrama del artículo donde está dibujado el tamaño y el diseño real. Asegúrese de que utiliza el tamaño y la forma adecuada que especifican las instrucciones.

-Para montar esta unidad, puede que se le solicite que coloque la unidad de lado y de cara. Se recomienda encarecidamente que realice el montaje sobre una superficie no abrasiva (Como la envoltura de embalaje de espuma) para evitar dañar el acabado.

INFORMACIÓN SOBRE EL USO:

Mantenga a los niños y otras personas a salvo siguiendo estas sencillas reglas:

- **No permita** que ningún niño juegue sobre muebles.
- **No permita** que nadie trepe sobre un mueble.
- **No permita** que nadie se cuelgue de un mueble.
- Vigile siempre la actividad de su hijo cuando se encuentre en su cuarto.

NOTAS SOBRE SU CUIDADO Y MANTENIMIENTO:

- **No** arañe ni desconche el acabado.
- Inspeccione el producto con regularidad, póngase en contacto con Bellini Creations LLC para el recambio de partes o para formular preguntas.
- **No** guarde el producto ni ninguna de sus partes a temperaturas ni en condiciones extremas como un ático caluroso o un sótano húmedo y frío. Estos extremos pueden provocar una pérdida de integridad estructural.
- Para preservar el brillo del acabado de alta calidad que recubre su producto, se recomienda que coloque un paño o una almohadilla de fieltro debajo de cualquier objeto que coloque sobre el acabado.
- Límpielo con un trapo húmedo y luego con uno seco para preservar el brillo y la belleza originales de este fino acabado.
- No** utilice productos químicos abrasivos.
- No** pulverice limpiadores directamente sobre el mueble.
- Elévelo ligeramente cuando lo mueva sobre alfombras o moqueta para evitar que se rompan las patas.
- El uso de vaporizadores cerca de muebles puede provocar que la madera se hinche y acabe desconchándose.

Section 2: Toddler Bed Conversion, Step 1

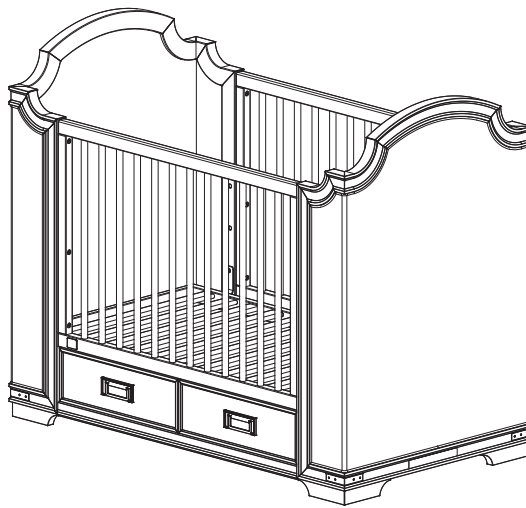
Piezas y herramientas necesarias para completar este paso



Llave Allen M4

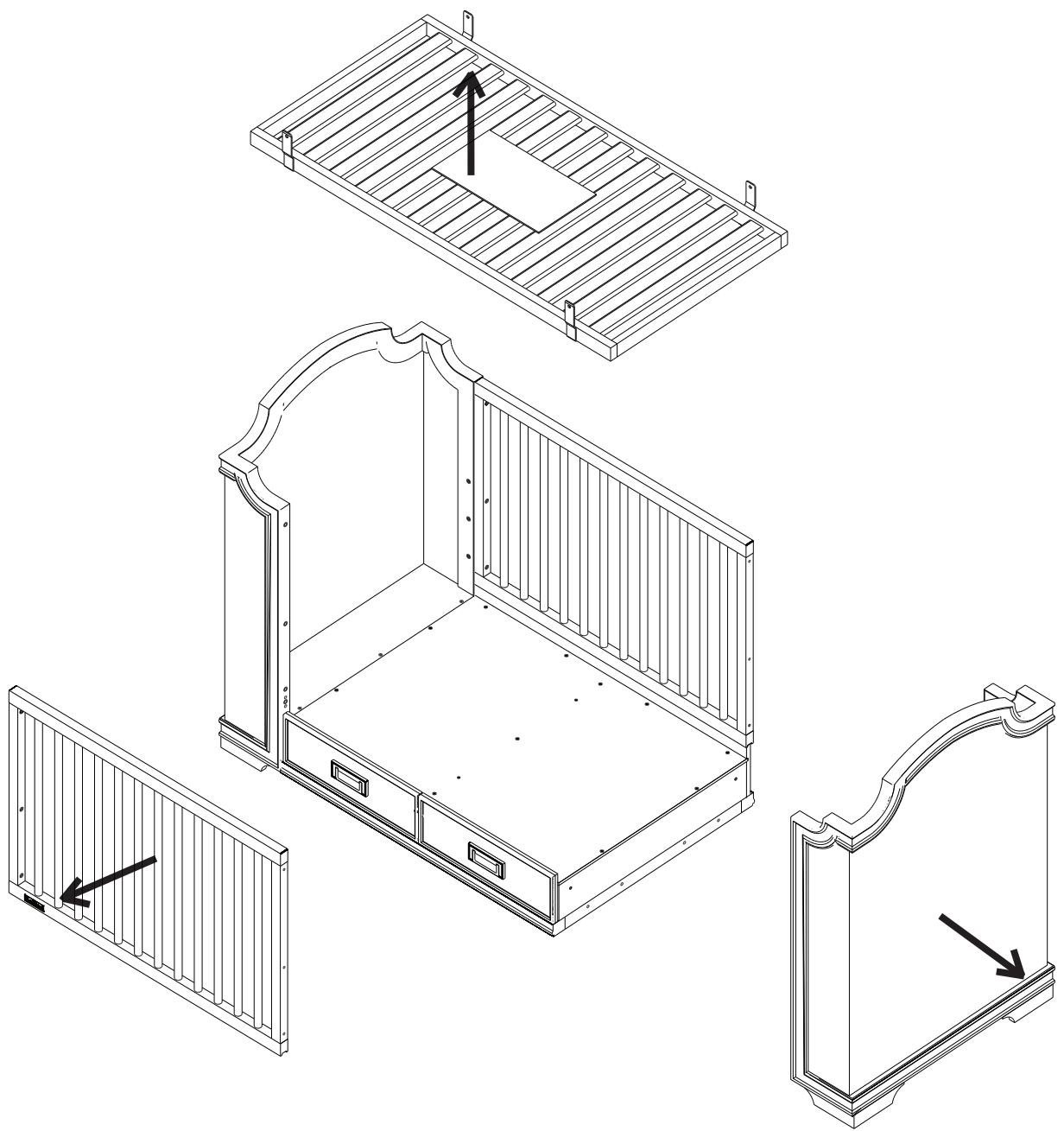


destornillador M4 con cabeza de bola



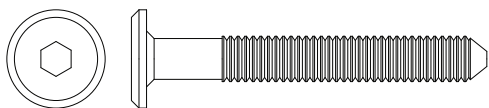
Cuna Terminada

1. Saque el Lado de la Cuna instalado en el paso 6 de la Sección 1 armado de la cuna. SAQUE SOLO UN LADO.
2. Saque el soporte del colchón de la Cuna instalado en el paso 5 de la Sección 1 armado de la cuna.
3. Saque el Extremo de la cuna instalado en el paso 3 de la Sección 1 armado de la cuna.



Sección 2: Conversión en cama de bebé, Paso 2

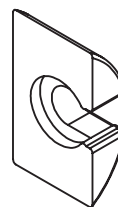
Piezas y herramientas necesarias para completar este paso



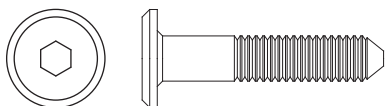
CC Perno 45mm x4



GG Pasador x8



DD Arandela de media luna x2



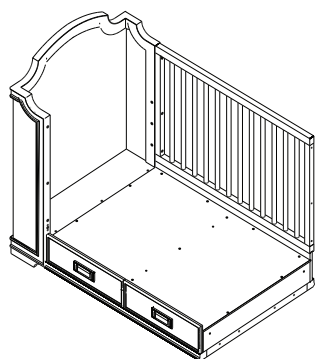
LL Perno 30mm x2



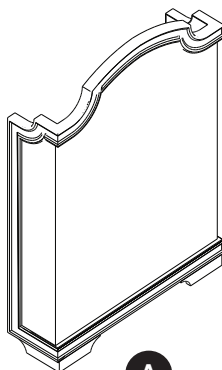
Llave Allen M4



destornillador M4 con cabeza de bola

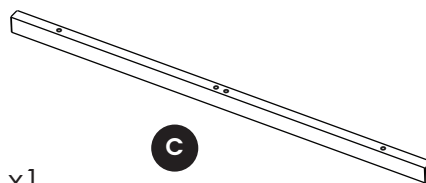


Desde el Sección 2: paso 1



A

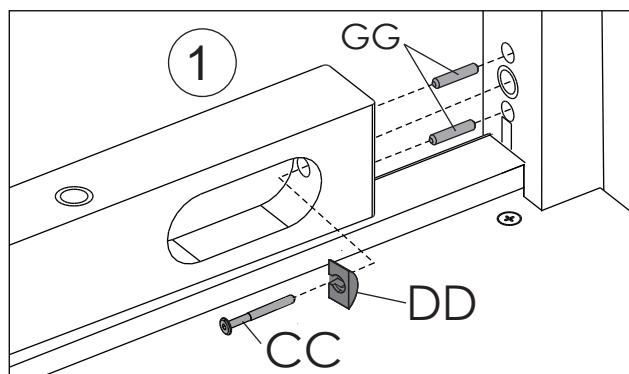
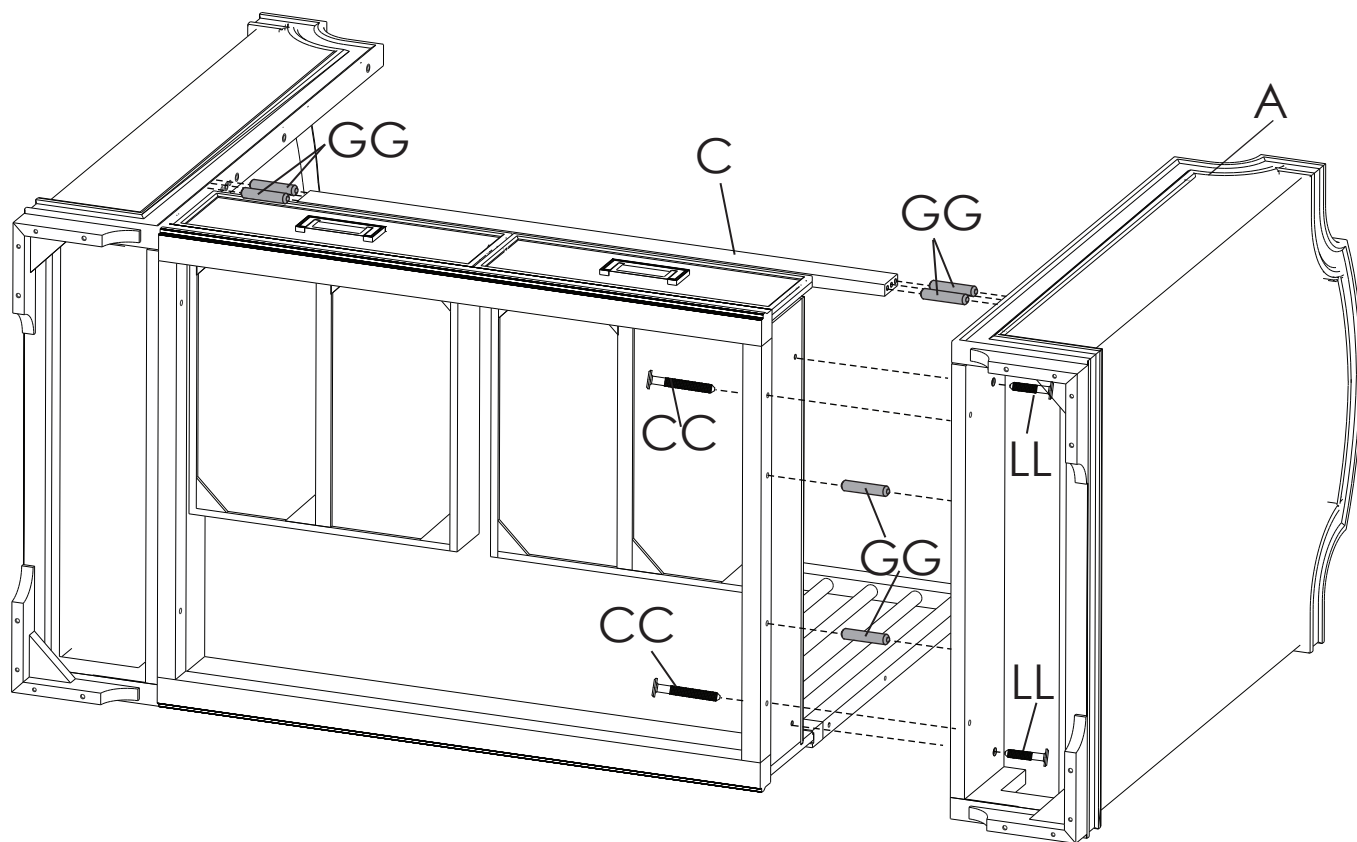
Extremo de la cuna x1



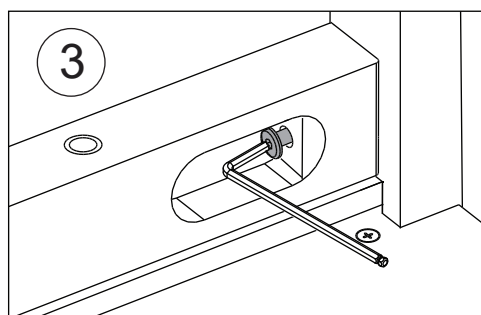
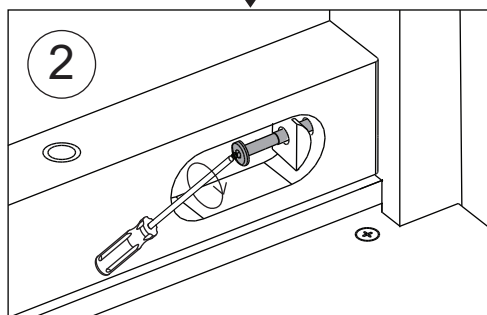
C

Barra estabilizadora x1

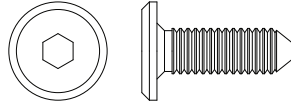
Fije (1) barra estabilizadora (Pieza C) y (1) Extremo de la cuna (Pieza A) al conjunto de piezas de la sección 2 del paso 1 utilizando (4) Pernos 45mm (Pieza CC), (2) Pernos 30mm (Pieza LL), (2) Arandela de media luna (Pieza DD) y (8) Pasadors (Pieza GG) utilizando el destornillador M4 con cabeza de bola y la llave Allen M4.



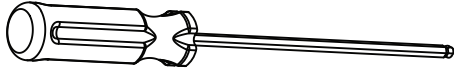
x2



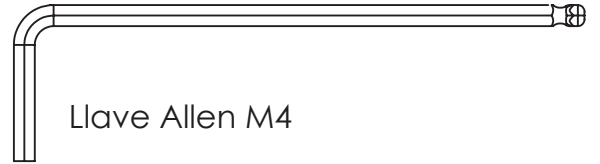
Sección 2: Conversión en cama de bebé, Paso 3



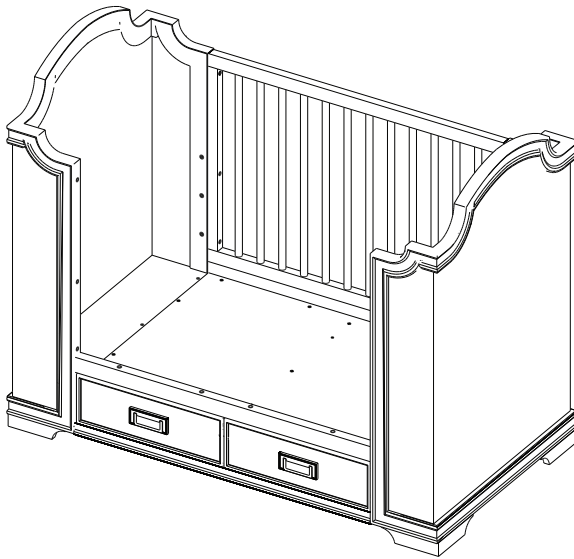
AA Perno 18mm x4



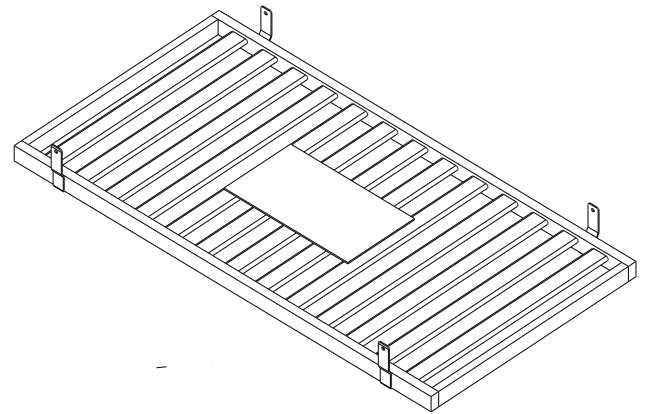
destornillador M4 con cabeza de bola



Llave Allen M4



Desde el Sección 2: paso 2



Desde el Sección 2: paso 1

Una el Soporte del Colchón (Pieza N) en todas las esquinas utilizando (1) Perno M6x18 mm (Pieza AA) en cada una de las esquinas. Utilice la Llave Hexagonal M4 para el proceso de apriete.

El soporte del colchón debe estar en las posiciones más bajas.

Guarde todas las piezas de manera segura. Lea todas las advertencias de la página 55.

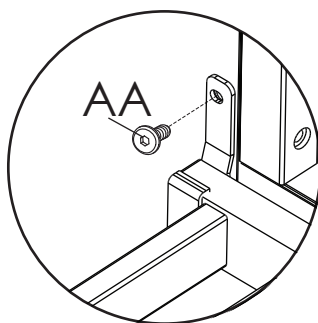
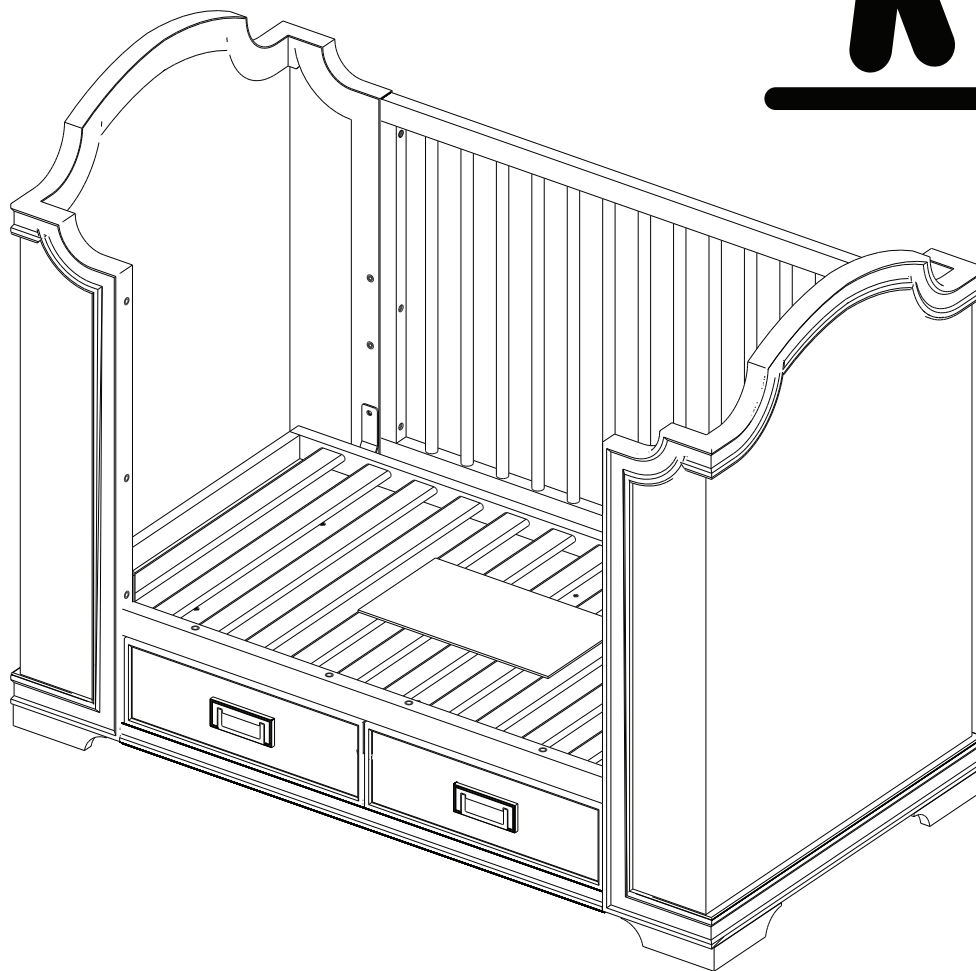
Use como cama de día o sofá para dos, tal como se muestra.

No usar en caso de no haber instalado la barra estabilizadora.

Debe usarse la Barandilla de Conversión al convertir la cuna en cama del niño.

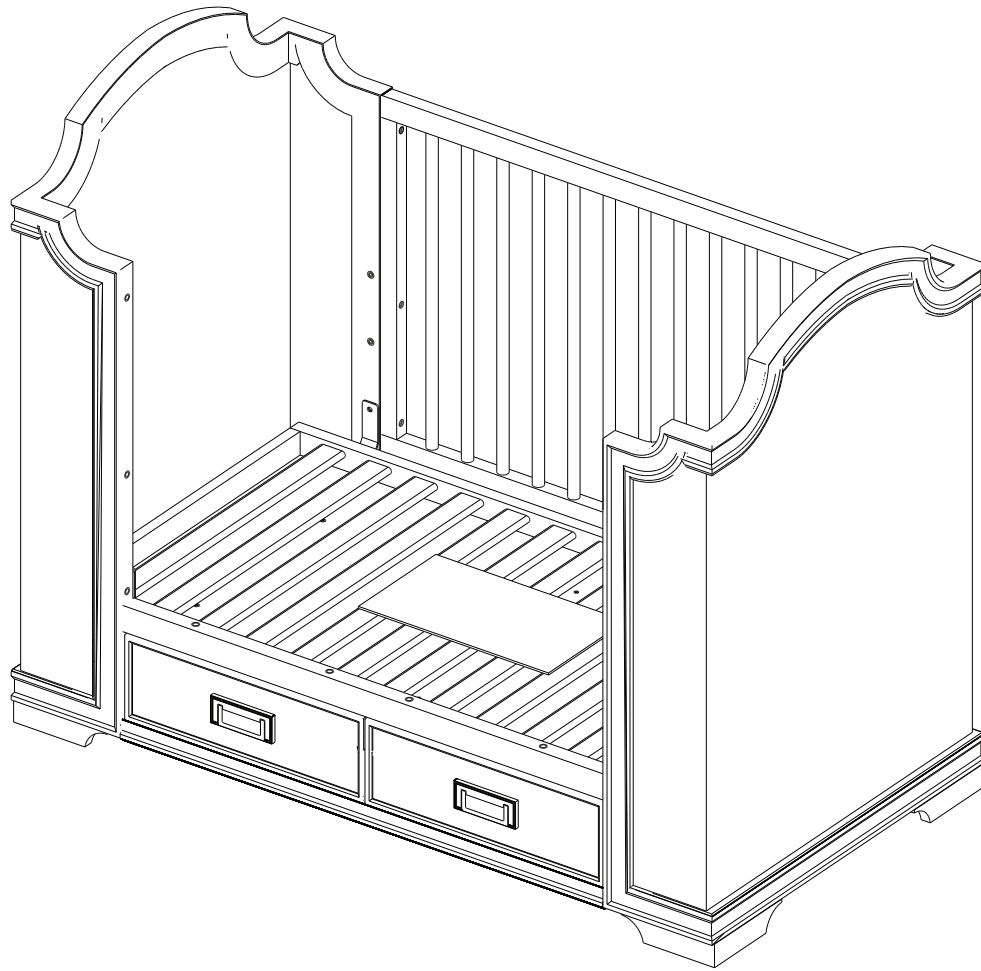
⚠️ ADVERTENCIA:

Vea la página 55 para conocer las advertencias para la cama del niño



TODAS LAS ESQUINAS

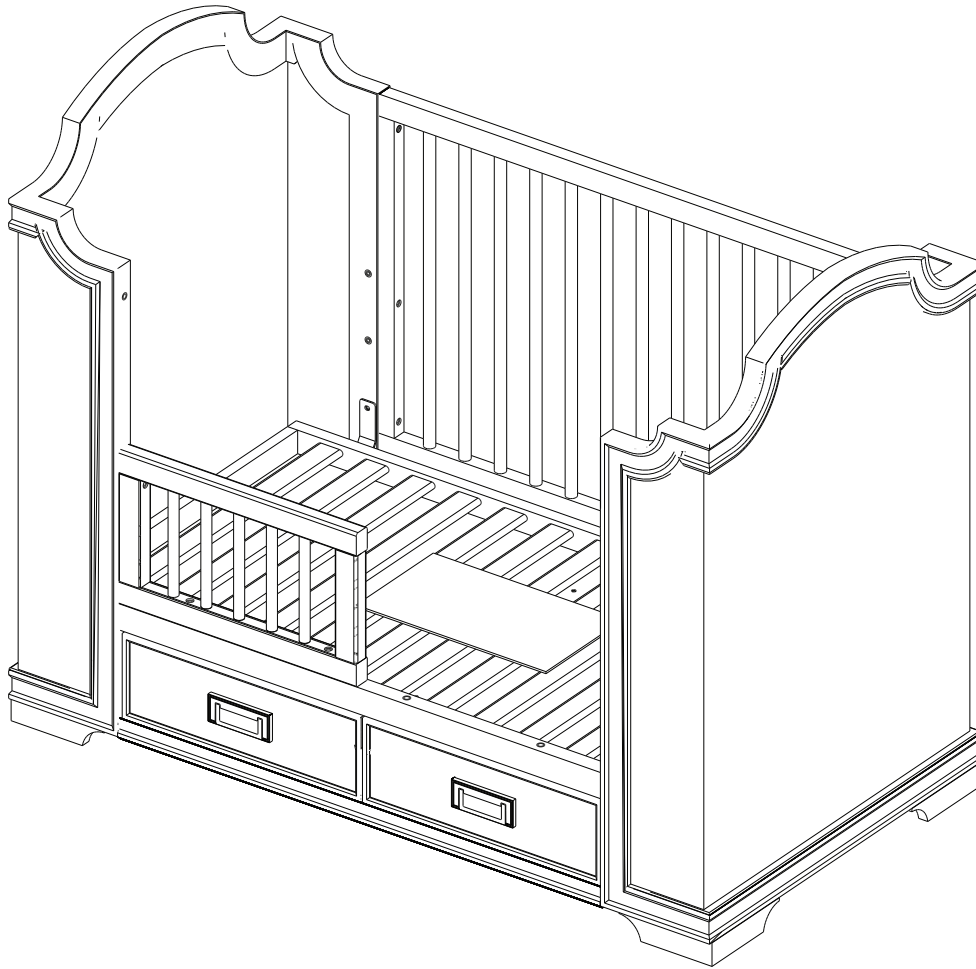
Sección 2: Conversión en cama de bebé, Paso 4



⚠ ADVERTENCIA:

Vea la página 55 para conocer las advertencias para la cama del niño

El soporte del colchón debe estar en las posiciones más bajas.
Guarde todas las piezas de manera segura.
Lea todas las advertencias de la página 55.
Use como cama de día o sofá para dos, tal como se muestra.
No usar en caso de no haber instalado la Barandilla de Conversión.
Debe usarse la Barandilla de Conversión al convertir la cuna en cama del niño.



Hay una barandilla de seguridad disponible para esta cuna.
Consulte a su proveedor de cunas, visite www.Bellini.com o contacte a la atención al cliente de Bellini Creations LLC. Esta cuna una la Barandilla Style #Z614725.

GARANTÍA LIMITADA DEL FABRICANTE

Este producto Bellini Creations LLC está garantizado de estar libre de defectos por un período de 2 años a partir de su adquisición, bajo uso normal. Si un producto tiene defectos durante este período, Nosotros tomaremos la opción de reparar o reemplazar la pieza defectuosa del producto. Esta garantía limitada se otorga únicamente al comprador original y es válida solamente cuando se proporciona una prueba de compra, o si el producto fue recibido como un regalo, debe haber sido registrado con Bellini Creations LLC. Esta garantía limitada del fabricante no cubre lo siguiente:

- Productos comprados como exhibiciones de la tienda o muestras.
- Artículos comprados como “tal como está”, productos de segunda mano o reventa de los productos.
- Artículos comprados como “venta final”, “ventas de tiendas que están quebrando” o ventas por liquidación.

Esta garantía limitada le otorga derechos legales específicos y también puede tener otros derechos que varían de un estado a otro.

PARA REGISTRAR EL PRODUCTO

para alertas de seguridad importantes e información actualizada del producto por favor
visite www.bellini.com

|

PARA REPORTAR ALGÚN PROBLEMA,
por favor conéctese a www.Bellini.com/help

Fecha de la compra: _____ (debe comprar su recibo de compra)