



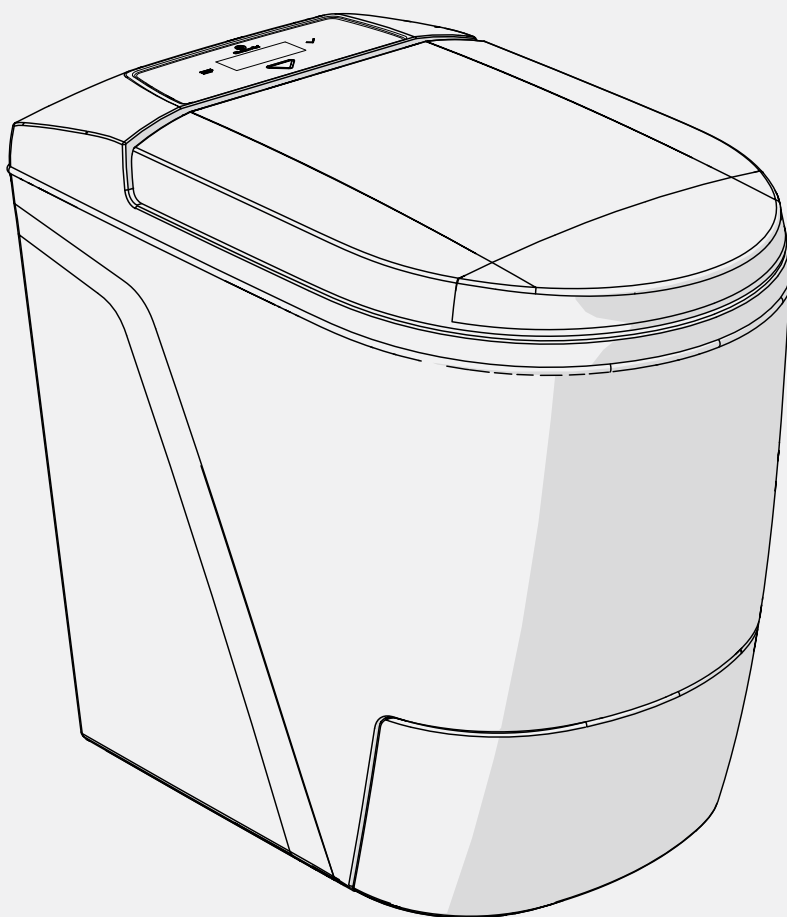
Cinderella[®]
Incineration Toilets

CINDERELLA PREMIUM

MODEL EM03CS10

Product manual

 Made in Norway



English
Norsk
Svenska
Suomi

CONTENTS

1. GENERAL SECTION	3
1.1 INTRODUCTION	3
1.2 APPLICATION ACCORDING TO REGULATIONS	3
1.3 OPERATING INSTRUCTIONS GUIDE	3
1.4 LIMITATION OF LIABILITY	3
1.5 LISTINGS AND CERTIFICATIONS	3
1.6 ENVIRONMENTAL LIMITATIONS	3
1.7 GENERAL SAFETY INSTRUCTIONS	4
1.8 APPLIANCE RATING PLATE	5
1.9 CINDERELLA ONLINE	5
2. INSTALLATION SECTION	6
2.1 UNPACKING YOUR CINDERELLA INCINERATING TOILET	6
2.2 MEASUREMENT SPECIFICATIONS	6
2.3 ORIGINAL INSTALLATION PACKAGES FOR YOUR CINDERELLA TOILET	7
2.4 INSTALLATION SPECIFICATIONS	8
2.4.1 SPECIFICATIONS PARTS AND MATERIALS	8
2.4.2 INSTALLING THE CINDERELLA INCINERATING TOILET	8
2.4.3 INSTALLING THE OUTLET PIPES	9
2.4.4 INSTALLING THE HORIZONTAL INLET PIPE	10
2.4.5 INSTALLING THE ORIGINAL CINDERELLA FLUE TERMINAL CAP	11
2.5 ELECTRICAL SPECIFICATIONS AND REQUIREMENTS	11
2.6 CHECKLIST TO VERIFY THE COMPLETE INSTALLATION	12
2.7 PERFORMANCE TEST TO VERIFY THE SYSTEM FUNCTIONALITY	12
3. USER SECTION	13
3.1 INTENDED USE AND HANDLING	13
3.2 GENERAL SAFETY	13
3.3 SAFE OPERATIONS	13
3.4 CINDERELLA PREMIUM SAFETY FEATURES	13
3.5 IMPORTANT USER INFORMATION	14
3.6 INTERACTING WITH THE TOILET	15
3.6.1 THE CONTROL PANEL	15
3.6.2 THE HOME SCREEN	15
3.6.3 NAVIGATING THE MENUS	16
3.7 USING THE CINDERELLA PREMIUM TOILET	17
3.8 OPERATING THE FRONT COVER AND ASH CONTAINER	18
3.8.1 MANUALLY OPENING THE FRONT COVER	19
3.9 APPLIANCE ORIENTATION	19
4. GENERAL MAINTENANCE INSTRUCTIONS	20
4.1 END PRODUCT CHARACTERISTICS	20
4.2 MAINTENANCE	21
4.2.1 EMPTYING AND CLEANING THE ASH CONTAINER	21
4.2.2 STEAM-CLEANING THE CATALYTIC CONVERTER	21
4.2.3 CLEANING THE BOWL	22
4.2.4 INSPECTING THE CATALYTIC CONVERTER	23
4.2.5 CLEANING THE APPLIANCE FLUE TERMINAL	23
4.2.6 RINSING THE CATALYTIC CONVERTER WITH HOT WATER	24
5. TROUBLESHOOTING AND FAQ	24
5.1 TROUBLESHOOTING TABLE	26
6. REPAIRS AND SPARE PARTS	28
6.1 SPARE PARTS LIST	28
6.2 APPLIANCE PROCESS OVERVIEW	29
6.3 TECHNICAL ORIENTATION	29
6.4 WIRING DIAGRAM	30
7. WARRANTY	31

1. GENERAL SECTION

1.1 INTRODUCTION

It is essential to ensure proper ventilation in accordance with the guidelines in this manual to guarantee the functionality of your new Cinderella toilet. Improper installation may cause malfunction, wear or odours and will void the warranty. When installing the appliance, the technical and administrative regulations in which the country it is installed must be adhered to.

1.2 APPLICATION ACCORDING TO REGULATIONS

This appliance is designed to incinerate bodily waste products and small sanitary products such as tampons and non-alcoholic baby wipes or face wipes.

1.3 OPERATING INSTRUCTIONS GUIDE

Please read this instruction manual carefully before installation and first use. Store these instructions in a safe place so you can refer to them when required. If you pass on the product to someone else, hand over this instruction manual along with it.

These instructions provide you with the necessary guidance for proper installation, handling and maintenance of the product. It is important that both the installer and the user familiarize themselves with the instructions given in this manual. The manual also contains information on professional maintenance and any necessary information for service and repairs.

A digital version of this document and further information can be found at www.cinderellaeco.com

1.4 LIMITATION OF LIABILITY

All information and guidance in these operating instructions have been prepared after taking into consideration the applicable standards and regulations as well as the current technology. Cinderella Eco Group AS reserves the right to make changes at any time which are deemed to be in the interest of improving the product and safety. The manufacturer accepts no liability for damage in the following cases:

- Faulty installation or connection
- Damage to the product resulting from mechanical factors and/or incorrect connection voltage
- Modifications to and interference with the appliance
- Use for purposes other than those described in the operating manual
- Non-observation of the operating and maintenance instructions
- Application not in accordance with local regulations or provisions
- Use of non-original bowl liners and spare parts

1.5 LISTINGS AND CERTIFICATIONS

The Cinderella Premium has been extensively tested by NEMKO in accordance with the European standard for electrical safety and electromagnetic compatibility.

1.6 ENVIRONMENTAL REQUIREMENTS

- Ambient temperature range: -20°C – 40°C
- Operating altitude: Tested to 2,500 m



CAUTION!

When the Cinderella toilet is installed, minimum clearance to combustible construction must be: 50mm from sides, 50mm from rear

1.7 GENERAL SAFETY INSTRUCTIONS



DANGER!

Safety instruction: Failure to observe this instruction could cause fatal or serious injury.



WARNING!

Safety instruction: Failure to observe this instruction could lead to injury.



CAUTION!

Failure to observe this instruction could cause material damage and impair the function of the product.



NOTE!

Supplementary information for operating the product.



DANGER!

- Do not spray aerosols in the vicinity of this appliance while it is in operation.
- Do not use or store flammable materials in or near this appliance.
- Do not place articles on or against this appliance.
- Do not modify this appliance.



DANGER!

- Do not operate the incinerating toilet if it is visibly damaged.
- If the power cable for this toilet is damaged, it must be replaced by the manufacturer, customer service or a similarly qualified person in order to prevent safety hazards.
- This toilet may only be repaired by qualified personnel. Inadequate repairs may cause serious hazards.
- Only operate the toilet with the voltage shown on the type plate on the back of the toilet.



WARNING!

- Danger of crushing! Do not place your hand on the hinge or underneath the toilet seat while open, as there is no soft-close function on the seat.
- Do not empty the ash container when hot.
- Before activating, ensure that the power supply line and plug are dry.
- Do not operate this unit until you have read thoroughly and understand completely all instructions and safety rules contained in this manual. Save this manual and review frequently for continuing safe operation and instructing possible third-party users.






CAUTION!

- During transport, only hold the toilet by the toilet shell. Never hold the toilet by the power cord, front cover, lid or seat or flue outlet.
- Danger of overheating! Always ensure sufficient ventilation so that the heat and emissions generated during incineration can dissipate from the flue pipe. Ensure proper air flow for the system. Always ensure sufficient ventilation into the toilet. Make sure that the toilet is sufficiently far away from walls or other objects so that air can circulate.

1.8 APPLIANCE RATING PLATE

The appliance rating plate can be found on the lower left side of the incineration toilet. From this plate you can read the model identification, serial number, toilet ratings and support detail. You will need these details whenever you contact the customer service center or when ordering spare parts.

 <p>Cinderella Eco Group AS Sjøvikvegen 67, 6475 Midsund, NORWAY For sales/support visit: www.cinderellaeco.com</p> <p>CINDERELLA PREMIUM MODEL: EM03CS10 SERIAL:</p>	Appliance Specifications		 
	<p>VOLTAGE..... 220-240 V AC 50-60Hz CURRENT 9 A HEATING ELEMENT:..... 2000W EL MOTOR: 12 V DC BATTERY: 12 V DC 2,6 Ah FAN BLOWER..... 12 V DC PROTECTION CLASS..... IP 34 CAPACITY..... 4 VISITS PR. HOUR CIRCUIT BOARD..... E6 YEAR OF MANUFACTURING..... 2023 DESIGNED FOR STATIONARY STRUCTURES</p>		

1.9 CINDERELLA ONLINE



Register with "MY CINDERELLA"

When you register your toilet in "My Cinderella", you will receive relevant information about our products and available support systems, as well as special offers specifically tailored to your toilet model. In the event of theft, registered toilets will be in our manufacturer database.

Online Troubleshooter

A complete guideline to your toilet, providing useful advice and user improvements, enabling you to solve the most common issues on your own, without having to call for assistance.

Easy access to information

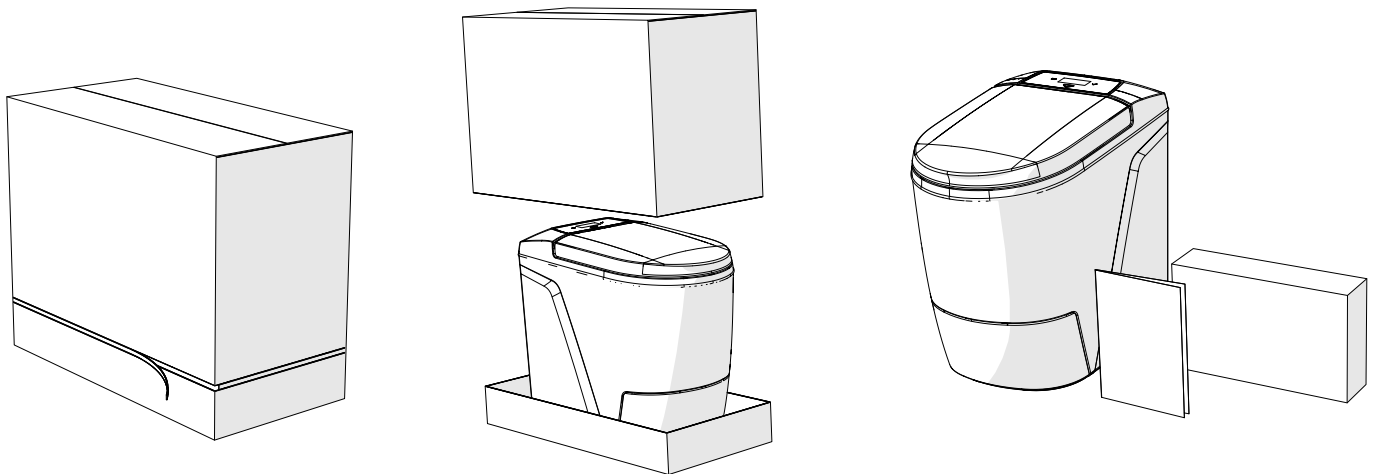
You can download product documentation from our online documentation center, where you will find product manual.

Service and spare parts

Select country of origin and receive a list of local dealers where you can obtain service and spare parts.

2. INSTALLATION SECTION

2.1 UNPACKING YOUR CINDERELLA INCINERATING TOILET



NOTE!

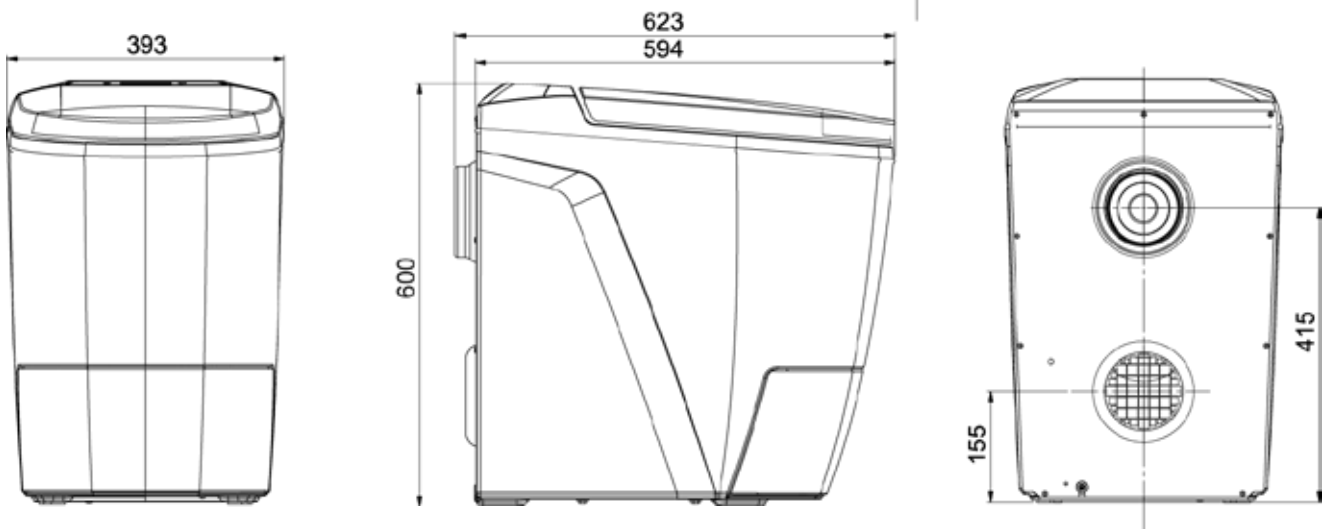
When unpacking the Cinderella toilet, use the pre-fixed strip on the bottom of the box. Release the strip all around the box and lift up the box.

INCLUDED ITEMS	QTY
Cinderella Premium	1
Bowl liners	100
Product manual	1

2.2 MEASUREMENT SPECIFICATIONS

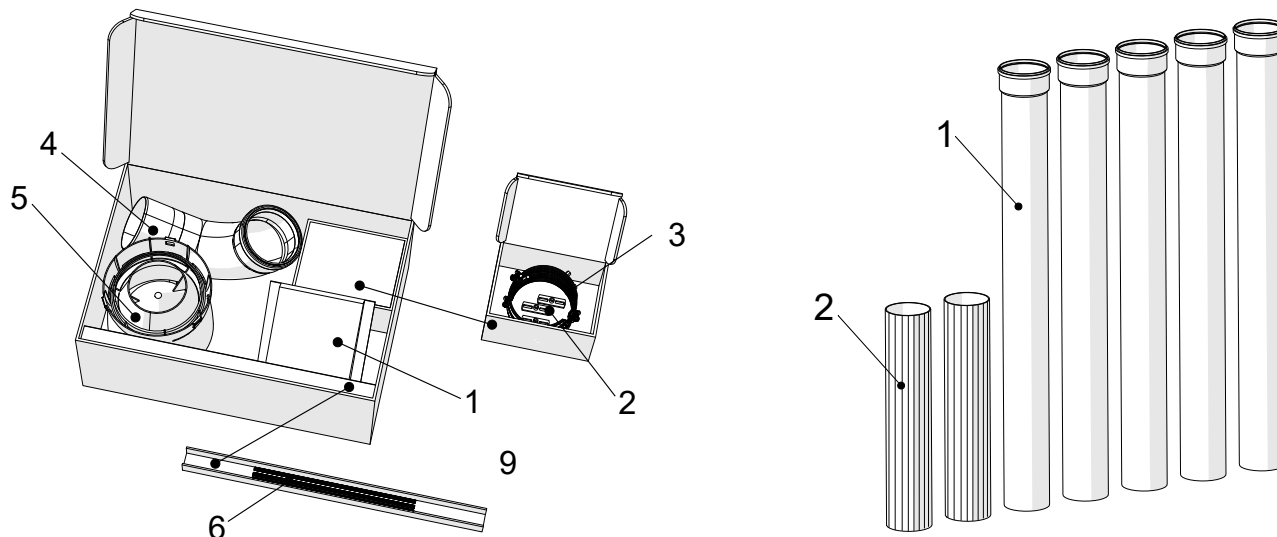
Height	600 mm
Seated height	540 mm
Width	393 mm
Depth	623 mm

Ventilation pipe outer dim.	110 mm
Height center outlet	415 mm
Height center inlet	155 mm
Weight	33 kg



2.3 ORIGINAL INSTALLATION PACKAGES FOR YOUR CINDERELLA TOILET

Cinderella Original Installation Kit: We strongly recommend the use of the “Cinderella Original Installation Kit” when installing you appliance. This complete set includes necessary parts for an ideal installation, optimizing the incinerating process and functionality of your toilet. The installation kit includes two separate boxes. Box no. 1 includes an optimized flue cowl and elbow, for increasing the system flow rate and incineration efficiency. It contains a storm collar for the inlet air, as well as rods and clamps to support the installation of the pipes. Box no. 2 includes 7 x 110mm UV stabilized PP quality pipes - for installing the inlet and outlet ventilation.



CINDERELLA INSTALLATION KIT BOX 1		QTY
1	Storm Collar	1
2	Wall mount rod	3
3	Support clamp	3
4	Elbow, 87° w/drain	1
5	Flue Terminal Cap	1
6	Threaded rod	3

CINDERELLA INSTALLATION KIT BOX 2		QTY
1	Male-Female 1015 mm flue pipe	6



NOTE!

- This manual will further explain and demonstrate how to optimally install your toilet, based on the parts included in the Original Cinderella Installation Kit. Should you desire to install your Cinderella appliance with other than our original pipes and parts, be sure that they comply with the specifications described under section 2.4.1 “parts and material specifications”.
- In order to guarantee your Cinderella Incineration Toilet functions properly, It is essential to ensure proper ventilation in accordance with the guidelines in this manual. Installations deviating from the manufacture specifications or the use of non-authorized parts in the installation of the appliance will cause malfunction, wear or odors and will void the warranty.

2.4 INSTALLATION SPECIFICATIONS

2.4.1 SPECIFICATIONS PARTS AND MATERIALS

ITEM	SPECIFICATIONS
Ventilation pipes	Cinderella Premium is required to be installed with 110 mm pipes with a smooth inner surface and a minimum inner diameter of 102 mm. The pipe material must be specified for temperatures over 100° C and preferably of a PP- or CPVC- type. We strongly recommend using the Original Cinderella PP- quality pipes.
Elbow (Outlet air)	Cinderella Premium is required to be installed with a smooth curved elbow that minimizes the restriction of the air flow. We strongly recommend using the Original Cinderella Elbow 87° w/ drain.
Flue Terminal Cap	Cinderella Premium is required to be installed with a flue terminal cap that prevents intrusion of rainwater and that has a minimum restriction of the air flow. Wind fans or similar is not to be used when venting the Cinderella Incinerating Toilet. We strongly recommend using the Original Cinderella Flue Terminal Cap.



NOTE!

- The inside of the ventilation pipe must be smooth and not embossed or grooved.
- The elbow must be accessible when installed, so that the drainage pipe can be rinsed, and the outlet pipe cleaned.
- Cinderella Premium is proved for use in bathrooms/wet rooms (IP 34 classified), but water must not be splashed over the external parts of the toilet.
- The toilet must be placed on a firm and level base and your Cinderella appliance may be installed on a heated floor

2.4.2 INSTALLING THE CINDERELLA INCINERATING TOILET

It is essential to ensure proper ventilation in accordance with the guidelines in this manual to guarantee the functionality of your new Cinderella toilet. Improper installation may cause malfunction, wear or odors and will void the warranty. Read each section carefully before starting the installation of the toilet. Always make sure that the work is carried out by professionals in accordance with local regulations.



CAUTION!

The Cinderella Premium toilet must have its own outlet air pipe and it is not permitted to install Cinderella Premium ventilation with the use of the following:

- Wind fan or similar as a replacement for the chimney cap
- Flexible ducts or pipes.
- Pipes with inner diameter less than 102 mm .
- Other 90° bends in addition to the elbow bend.
- Never use a mesh net in the ventilation pipe as this will restrict the airflow in the system.



CAUTION!

- Upon installation of the appliance, the technical and administrative regulations of the country in which the toilet is installed must be adhered to. We recommend that you contact your local dealer for planning and installing your Cinderella toilet.
- If the pipe perforates the roof surface, ensure that it is in compliance with building regulations.

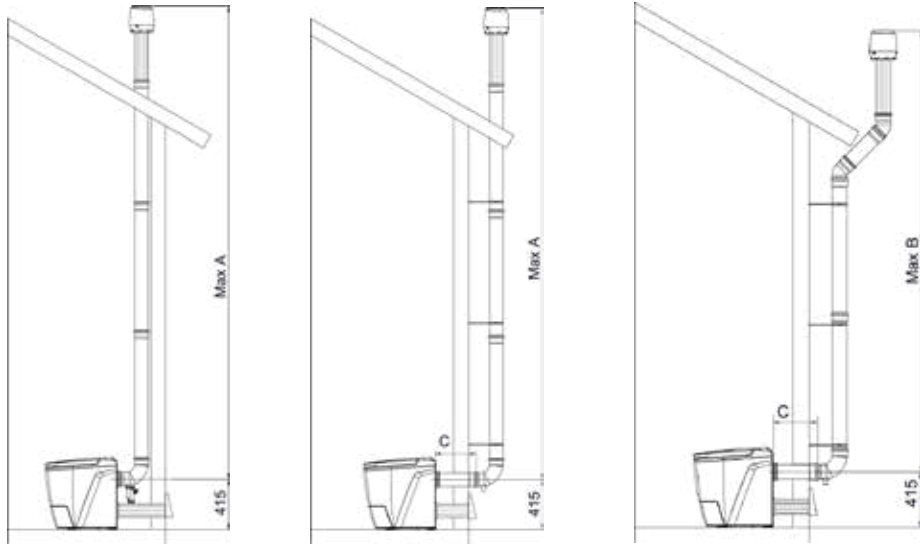


WARNING!

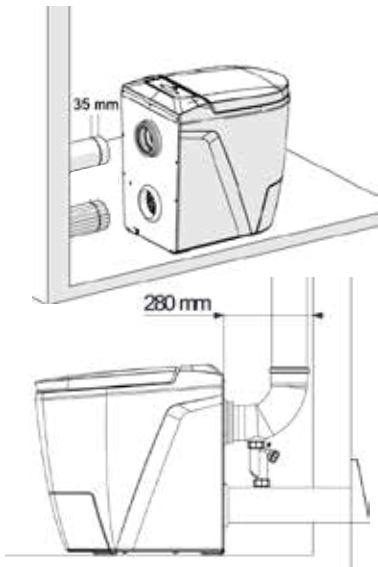
Before cutting any holes, always check that you will not cut any electrical wiring or water pipes.

2.4.3 INSTALLING THE OUTLET PIPES

DIAMETER VENT PIPE	OUTLET DIRECTION	REFERENCE	BENDS	MAXIMUM PIPE LENGTH
110 mm	Horizontal flue pipe	C	(Not allowed)	1000 mm
110 mm	Vertical flue pipe	A	None	6000 mm
110 mm	Vertical flue pipe	B	2 x 45° bends	5000 mm



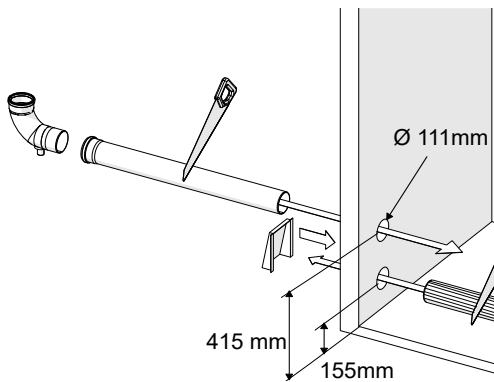
NOTE!
The center of the appliance flue terminal is 415 mm from the floor level.



NOTE!
When adjusting the horizontal pipe length, please notice that the pipe will enter 35 mm into the appliance flue terminal, and will have to be calculated into the planning of your installation.



NOTE!
When installing the pipe vertically, straight up from the appliance, please notice that the minimum distance from the wall to the toilet must be 280 mm.



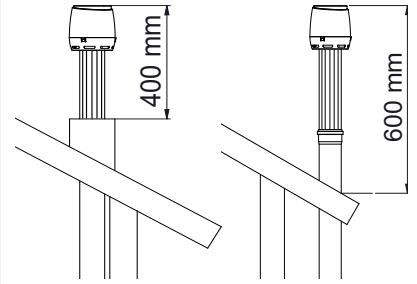
NOTE!
The Original Cinderella Installation Kit includes 1015 mm pipes to be used on the outlet installation, the pipes are delivered with socket and gasket for simple installation. When installing the pipe on the outer wall, you will have to enter the pipe from the external to the inside.



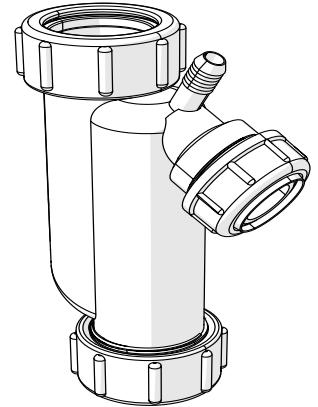
NOTE!
The appliance flue terminal is designed for connecting 110 mm PP quality pipes with an inner diameter of no less than 102 mm. The pipe is to enter 35 mm onto the toilet flue terminal. Do not use excessive force when connecting the pipe, as this may damage the appliance.

**NOTE!**

- The pipe must always be installed vertically above the roof and extend at least 600 mm above the roof surface. If the outlet air pipe is to be enclosed (e.g. using metal siding), make sure that the end of the pipe extends at least 400 mm above the enclosure.
- If installed where snow is likely to accumulate it might be necessary to extend the pipe further, and to secure accordingly. Keep in mind not to extend beyond maximum allowed pipe length.

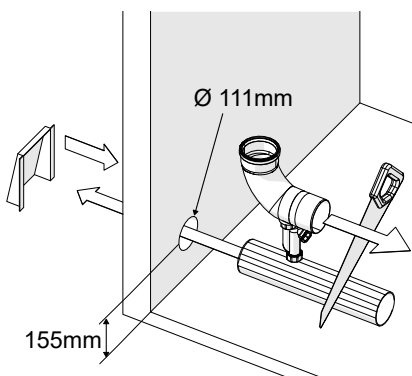
**NOTE!**

Cinderella supplies a specially designed “siphon” that fits onto the elbow provided in the installation kit, this item can be purchased as an accessory from any Cinderella dealer. If installation is done from the interior, you will need to connect the siphon to the elbow-piece to prevent condensation and rainwater to drain onto the floor. Failure to collect the condensation and emptying it regularly, may result in damage to the floor.

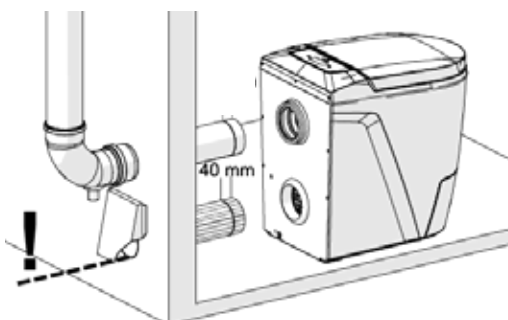
**2.4.4 INSTALLING THE HORIZONTAL INLET PIPE**

It is important to ensure that the toilet has enough access to fresh air, and we therefore always recommend installing the Cinderella Premium with designated inlet air connection. Supplying fresh air from the outside and into the appliance is essential for cooling, circulation and the supply of oxygen to the incineration process. If the toilet has restricted access to air/oxygen, you will experience poor incineration, reduced efficiency and possibly overheating of the appliance. Poor incineration over time will wear on the product and void your warranty.

OUTER DIAMETER INLET PIPE	HEIGHT MIDPOINT INLET PIPE	INLET DIRECTION	MAXIMUM PIPE LENGTH
110 mm	155 mm	Horizontal	1000 mm

**NOTE!**

- The center height for the inlet air terminal is 155 mm from the floor level.
- The Original Cinderella Installation kit includes 2 x 500 mm pipes to be utilized for the inlet air and ventilation and flue terminal cap. Adjust the length of inlet to fit the installation, please notice that the pipe will enter 40 mm into the inlet terminal on the appliance.

**NOTE!**

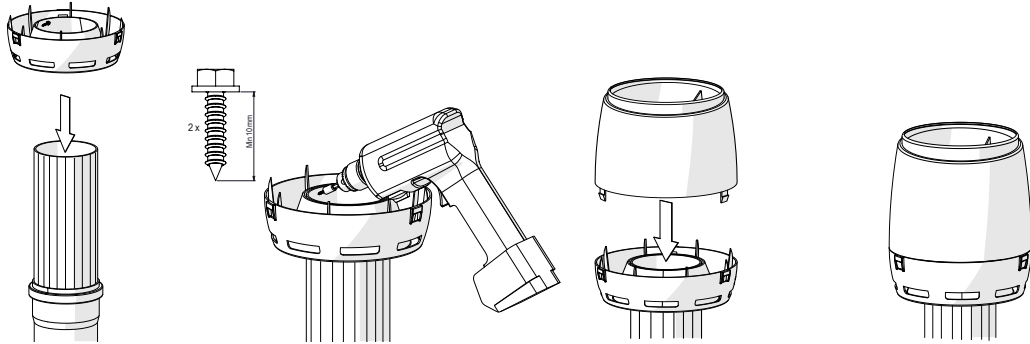
When mounting the storm collar on the external wall, make sure that the bottom of the pipe is installed flush with the bottom of the storm collar. Misplacement will lead to restricted air circulation that cause poor incineration, reduced efficiency and possibly overheating of the appliance.

2.4.5 INSTALLING THE ORIGINAL CINDERELLA FLUE TERMINAL CAP



NOTE!

The Cinderella Original installation Kit includes a flue terminal cap that is designed for optimal flow and increased product efficiency. This cap consists of two parts, where the base section can be fixed to the pipes with stainless screws or glue, this for easy connection and removal for maintenance of the ventilation pipes. Use one of the 500 mm pipes included in the Cinderella installation kit as the last section of the ventilation pipe, this will utilize the connection of the flue terminal cap.



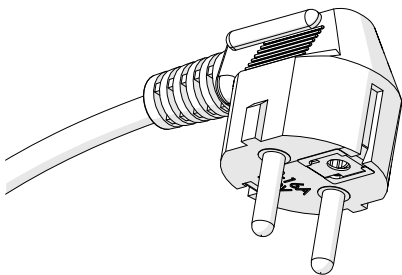
2.5 ELECTRICAL SPECIFICATIONS AND REQUIREMENTS



WARNING!

- This appliance must be installed in accordance with National Electrical Codes, as well as all state, municipal and local codes.
- The correct voltage, frequency and amperage must be supplied to the appliance from a dedicated, grounded circuit which is protected by a properly sized circuit breaker.
- The proper voltage, frequency and amperage are listed in this manual and on the product rating plate on the back of the toilet.

Power requirements	INPUT	CURRENT	FUSE
	220V-240V AC	9 A	10 A
Power consumption	STANDBY MODE		INCINERATING MODE
	0.5 W		2000 W
Connection polarity	CABLE CROSS SECTION	CABLE LENGTH	PLUG TYPE
	1,5 mm ²	2,3 m	Type F Schuko CEE 7



NOTE!

The toilet is delivered with a 16 Amp, 250Volt, 2 Pole 3 Wire Grounding Type F schuko CEE 7/7 plug. To supply sufficient power to the unit as delivered, it will require a dedicated grounded circuit, with at least 10 amps of available power at 230 V AC.



DANGER!

- The connection cable must be laid in such a way that it does not come into contact with sharp edges.
- Changes to the internal electrical installation or the connection cable must be performed by a professional tradesman or a similarly qualified person in order to prevent safety hazards.
- Power converters are not recommended for use with your Cinderella product. Cinderella Premium has a maximum power consumption level of 2000W, which may be sustained over periods exceeding an hour at a time. Power converters with a "peak consumption" level of 2000W may be unable to maintain this power output and become overloaded, damaged or unsafe if used with your Cinderella Premium.

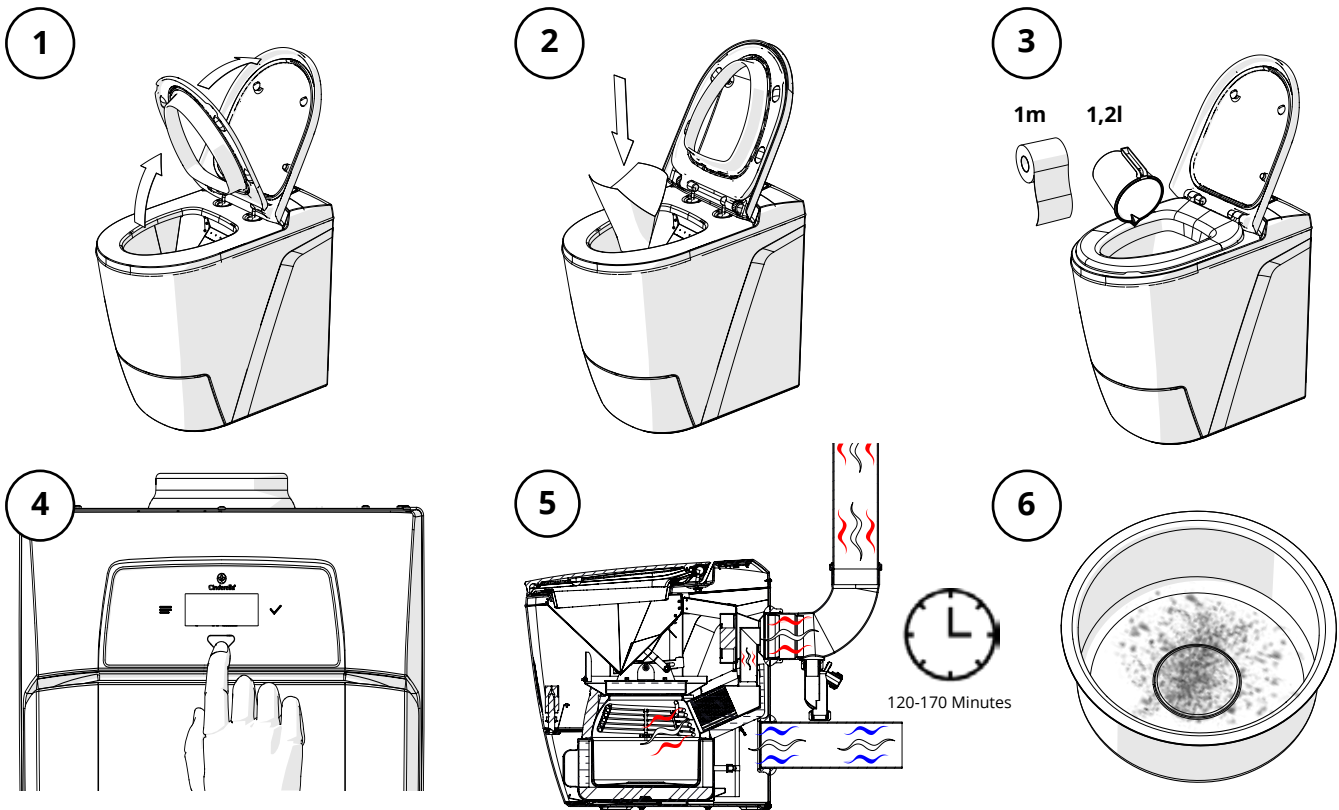
2.6 CHECKLIST TO VERIFY THE COMPLETE INSTALLATION

CONTROL ITEMS	CONFORMANCE
The connected voltage is in accordance with the appliance rating plate	
The flue pipe length is according to manufacturer specifications	
The flue termination is no less than 600 mm from the roof surface	
Safe draining "siphon" is installed where condensation is likely to accumulate	
Flue pipe material is installed according to manufacturer specifications	
Flue cap is installed according to manufacturer specifications	

2.7 PERFORMANCE TEST TO VERIFY THE SYSTEM FUNCTIONALITY

Insert a bowl liner and fill it with 1 meter of toilet paper and 1,2 liters of water. When the "Start" button is pressed, the incineration cycle will be activated. The estimated time for the verification test is approximately 120 – 170 minutes. The yellow light will be lit when the incineration is ongoing, and the complete test should be completed without any fault indications or system interruptions. The toilet will have to cool down to the point that the fan has stopped before the ash container can be removed. The cooling phase can take from 60 – 90 minutes, depending on the ambient cooling temperature.

The end result should only be fine white dust. Any end results deviating from this or an incineration time exceeding 90 minutes may indicate a restriction in the flue vent or a lack of oxygen. Check that the installation is in accordance with the manufacture specifications, presented in section 2 of this manual.



WARNING!

The ash container will get very hot while incinerating. Do not remove the front lid until the toilet has cooled completely and the fan has stopped.



NOTE!

The performance test is designed to be performed when the toilet has not been used. Results may vary when performing this test on used toilets.

3. USER SECTION

3.1 INTENDED USE AND HANDLING

The Cinderella Premium toilet is intended for indoor installation and use in leisure homes such as cabins, second homes, outhouses, site welfare units, boathouses and pool houses. The toilet is solely designed to incinerate bodily waste products and small sanitary products such as toilet paper, sanitary pads and non-alcoholic baby wipes, face wipes and cleaning wipes. Using the Cinderella Premium to incinerate other items constitutes misuse and will void your warranty. **Do not put the following items into the toilet:**

- Excessive amounts of paper of any kind
- Chlorine based cleaning agents
- Alcoholic cleaning wipes
- Newspaper
- Paper towels
- Flammable liquids or materials
- Cigarette lighters
- Cigarettes or cigars
- Petrol
- Alcoholic drinks or liquors
- Alcohol or rubbing alcohol
- Nail polish remover
- Lighter fluid
- Lamp oil / kerosene
- Aerosol containers
- Glass or plastic bottles or containers etc.

3.2 GENERAL SAFETY



DANGER!

- Do not operate the incineration toilet if it is visibly damaged.
- If the connection cable for the toilet is damaged, it must be replaced by the manufacturer, customer service or a similarly qualified person in order to prevent safety hazards.
- This incineration toilet may only be repaired by qualified personnel. Unauthorized repairs can result in considerable danger or damage to the toilet.
- Cleaning and user maintenance may not be carried out by unsupervised children.
- Do not use any explosive substances or flammable cleaning agents when maintaining the toilet.



CAUTION!

- The toilet is solely designed to burn bodily waste products and small sanitary products such as tampons, sanitary pads and baby, face and cleaning wipes.
- Young children must be supervised when they use Cinderella incineration toilets.

3.3 SAFE OPERATIONS



WARNING!

- The ash container in the toilet will become very hot when the toilet is in use. Do not empty the ash container until the toilet has cooled completely.
- The seat does not have a soft-close function, take care not to crush your hands or fingers when closing the seat.



CAUTION!

Danger of poor incineration and overheating of the system!

- Always use a new bowl liner when using the toilet.
- Always ensure sufficient ventilation so that the heat generated during the operation can dissipate.

3.4 CINDERELLA PREMIUM SAFETY FEATURES

- The incineration process is inactive while the toilet lid is open. The incineration will not start until the seat and lid are closed.
- The hatch to the incineration chamber CANNOT remain open while the toilet is still hot (e.g. during cleaning). This is only possible when the toilet has cooled down and the fan has stopped.
- Should a ventilation problem arise and the internal temperature of the toilet increases to more than 105 °C, incineration will be interrupted and a warning message displayed. This situation requires a manual reset to ensure the ventilation issue is addressed before the toilet can be used again.
- If the ash container is improperly positioned after emptying, incineration will not start and a warning light and message will be displayed.

- If the incineration chamber hatch mechanism gets jammed or is prevented from closing properly, incineration will not start and an error message will be displayed.
- The Cinderella Premium’s smart software includes a “watchdog” function that monitors the temperature while incineration is taking place. If any deviations from the normal temperature range are detected, this will immediately result in the incineration stopping and a warning message being displayed.
- If the front cover is not properly installed, the incineration will not start and an error message and code will be displayed.

3.5 IMPORTANT USER INFORMATION



NOTE!

- Always remember to place a new liner in the toilet bowl before use, one liner per visit
- The toilet lid must always be closed when the toilet is not in use. Incineration will not start or continue until the lid has been closed.
- The incineration cycle could take up to 180 minutes from the most recent visit.
- The fan will continue to run until incineration is completed and the internal temperature of the toilet has returned to the normal range. The cooling phase can exceed 120 minutes after incineration is completed, depending on the temperature of the air provided for cooling.
- Your Cinderella toilet may be used at any point during the incineration or cooling processes. Incineration is interrupted during use. Be sure to close the lid and press “Start” at the completion of each visit.



Capacity: 4 visits per hour

The Cinderella Premium toilet is designed to handle up to four visits per hour. To avoid overload, more than four visits in an hour is unadvised. Overloading the toilet with many visits in a short period of time, without completing an incineration cycle, can result in odours and leakage, and may damage the toilet.



Empty

Emptying Frequency

The total liquid capacity of the system’s waste container is 5 L. The ash container should be emptied frequently (once a week) for best operation. This ensures more efficient incineration and helps keep the catalytic converter cleaner.

If your ash container has not been removed (by weekly emptying routines), your Cinderella Premium will display a message to empty the container after 70 incineration cycles, and will lock out further visits if not emptied after 90 visits. We recommend that you empty the toilet as often as possible to ensure better incineration efficiency and less wear of the product.

Failing to empty the ash container when full may cause damage to the toilet and void your warranty.



Long period

Preparing your toilet for a lengthy period of non-use

In cases of longer periods of non-use or risk of lightning strikes, the plug should be disconnected from the power supply in order to protect the toilet against damage. NB! The waste must be incinerated and the yellow light switched off before disconnecting the plug. If unburned waste remains in the toilet, this could cause substantial damage over time. The toilet should be stored dry, and to reduce the external influences of temperature variations and moisture, it may be wise to disconnect the toilet from the pipes for longer periods of non-use. Remember to always reinstall the toilet before use.



Short period of increased use

Should the situation require an unusually high number of guests to use the toilet for a short period of time, please follow these tips:

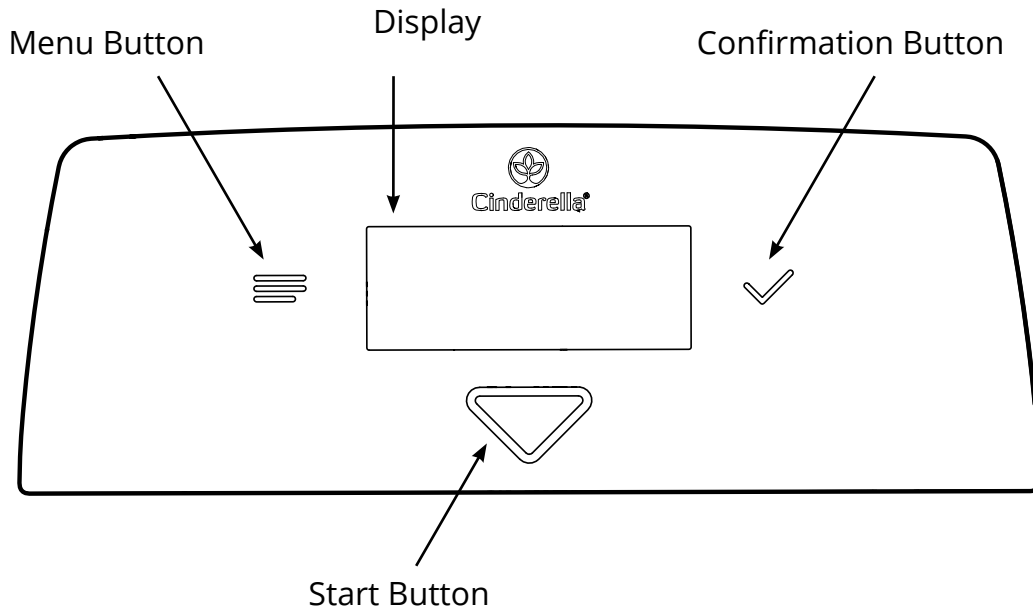
1. Empty the ash container completely before guests arrive.
2. Preheat the toilet before use by opening and closing the lid then pressing the Start button.
3. Ensure guests are instructed to use a bowl liner and press “Start” after every visit.
4. Check regularly to ensure the toilet lid is closed and the yellow incineration light is still lit.
5. You may need to run an extra incineration cycle or two before emptying the ash container to ensure that the waste has been fully incinerated.
6. If the increased use lasts multiple days, make sure to empty the ash container often, about every two days.

3.6 INTERACTING WITH THE TOILET

Cinderella Premium has a more advanced software than previous toilets, and offers more features. The control panel and display can be used to navigate the menus for all the features and settings on the appliance.

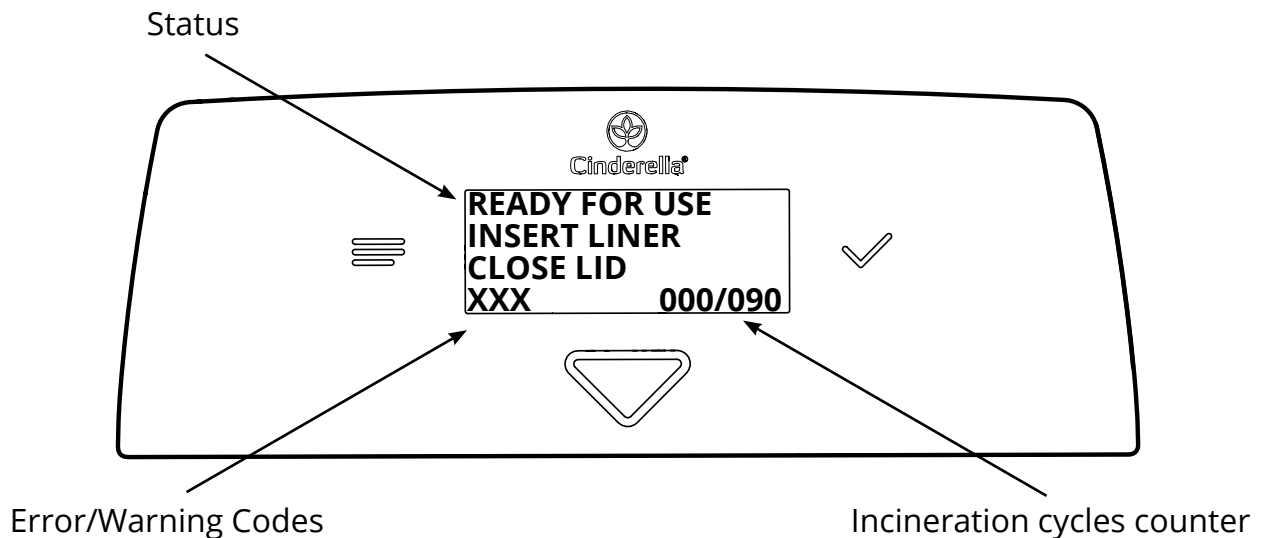
3.6.1 THE CONTROL PANEL

The control panel is equipped with a menu, confirmation and start button as well as a display to give the best possible user experience. The display will tell the user about the status of the system, as well as help to navigate menus for the software



3.6.2 THE HOME SCREEN

The home screen is the main screen shown on the display. It gives information as to the status of the toilet, any current warning or error codes as well as a counter for incineration cycles since last emptying procedure.



Incineration cycles counter/Emptying indicator

The Cinderella Premium will show you how many deposits you have made since last emptying in the bottom right corner of the display. You will get warning messages when you are nearing the maximum limit of deposits since the last time, and in the end the toilet will lock completely until the ash has been emptied.

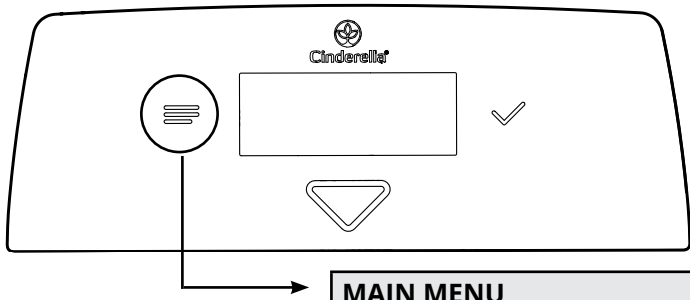


NOTE!

The ash container will usually only be half full when you get the indication to empty the ash, you should still empty the ash as emptying it often improves the incineration efficiency.

3.6.3 NAVIGATING THE MENUS

By pressing the backlit “menu button”, the main menu will be displayed. From this menu it is possible to choose which sub menu you want to navigate to by keep pressing the “menu-button” until the desired menu is highlighted, and then pressing the “confirmation-button”.



MAIN MENU	SUB MENU
Service	Empty ash
	Clean toilet
	Steam cleaning
	Unjam hatch
	Reset toilet
	Upgrade mode
Info	CPU ID
	Version info
	Show fault text
Language	English
	Norsk
	Svenska
	[...]
Statistics	Total Incinerations

Selecting your language

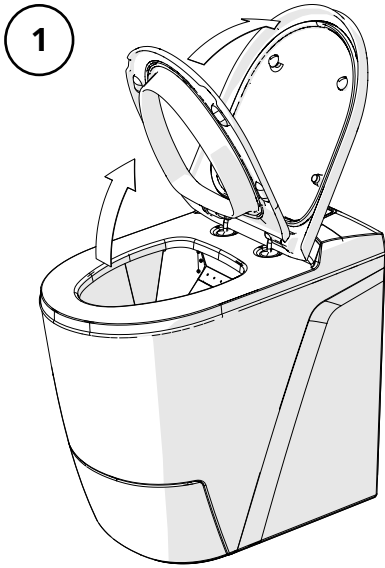
If for some reason the language on the toilet has changed and you are unable to read the menus, navigate the main menu to the third item on the list and press the confirmation button. From the next list press the menu button until your language is highlighted and press the confirmation button again.



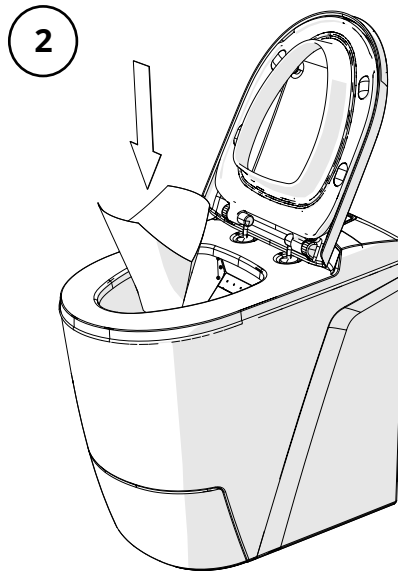
NOTE!

To return to the home screen, navigate to the bottom of the list to “[exit]” and press the confirmation button. The appliance will also automatically return to the home screen after 60 seconds.

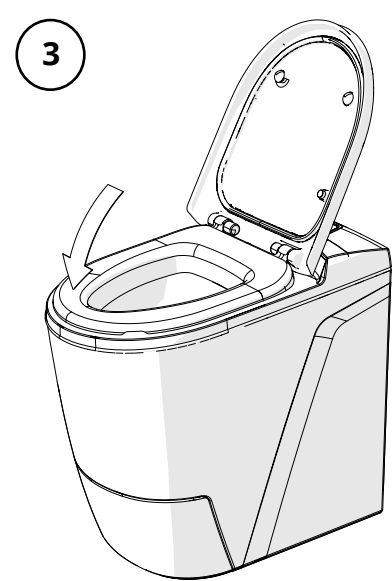
3.7 USING THE CINDERELLA PREMIUM TOILET



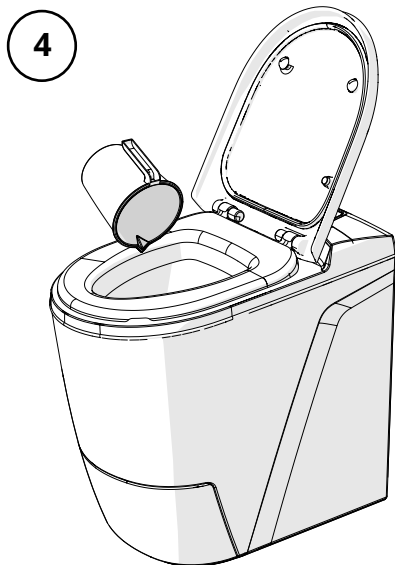
1. Lift the toilet lid and seat. The ventilation fan starts.



2. Place a bowl liner in the bowl. Use a new bowl liner for every visit.



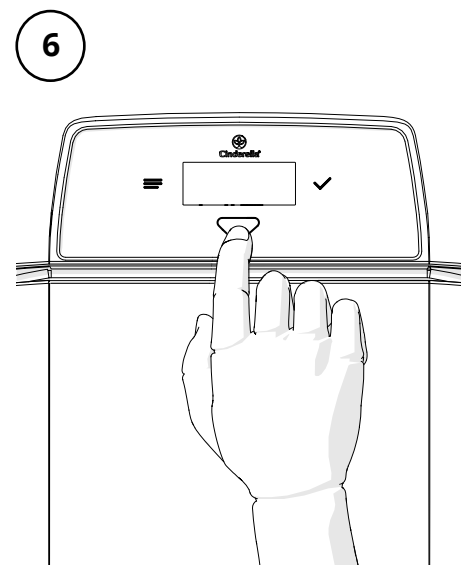
3. Lower the seat. The toilet is ready for use.



4. Use the toilet as usual. If little waste is produced, it may be helpful to pour some water into the bowl to add weight.



5. Close the toilet lid.



6. Push the "Start" button to drop the bowl liner and its contents into the incineration chamber. Incineration begins as soon as the hatch is closed. The toilet is now ready for the next user.

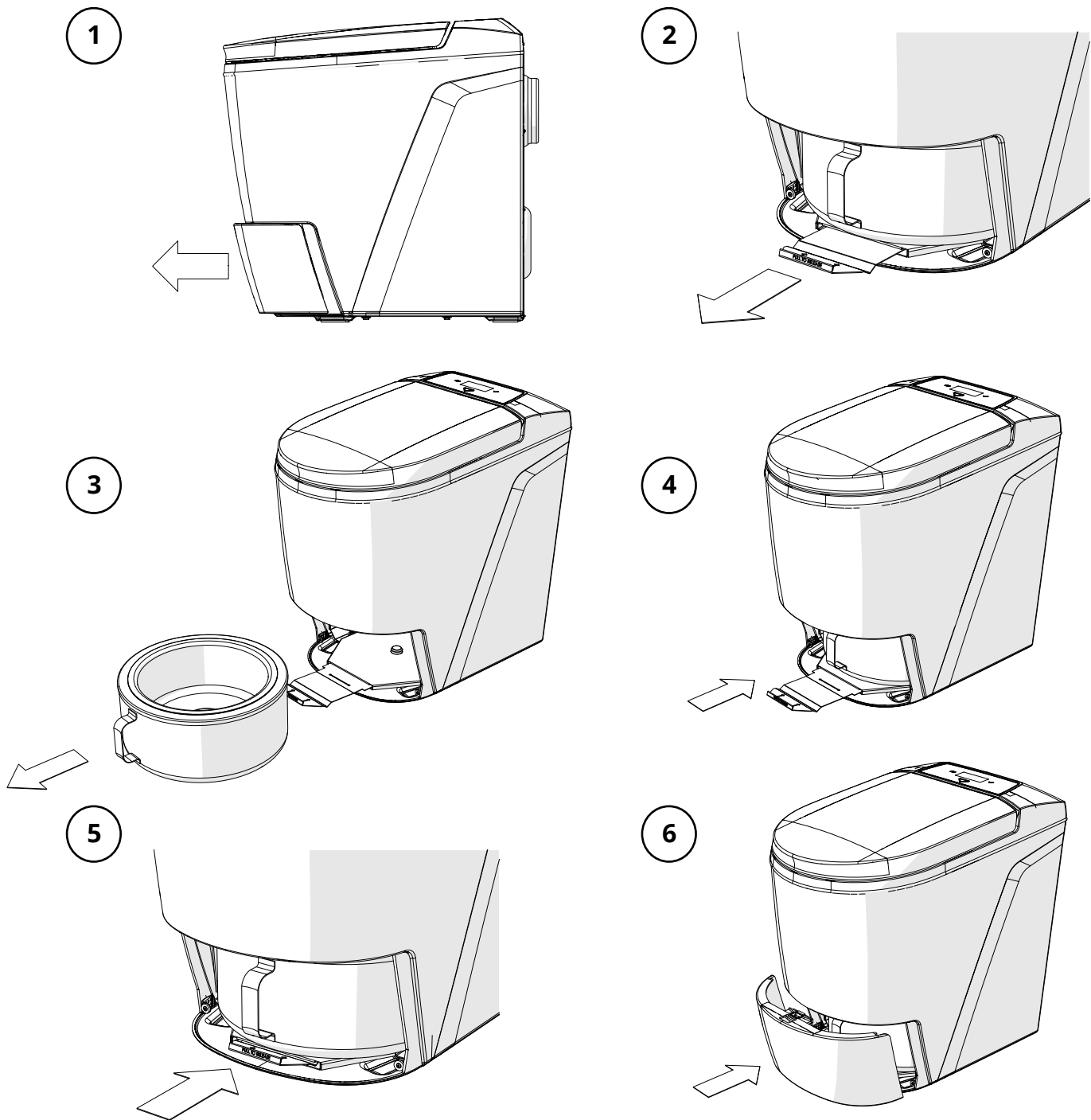


NOTE!

When inserting a bowl liner, make sure that it is fully pushed down into the bowl to avoid collapsing of liner under use.

3.8 OPERATING THE FRONT COVER AND ASH CONTAINER

The front cover can be removed by using the control panel. To remove the cover, access the "Service" menu and choose the "Empty ash" option. The thin metal piece with the text "pull to release" will unlock the ash container when extended, and lock it in place when pushed in.



NOTE!

- Please see the maintenance section for instructions regarding cleaning and emptying the ash container.
- The front cover will not open if the internal temperature is too high. If the cover does not open, wait for the toilet to cool down.
- Instructions on how to operate the user panel and navigate the menus can be found in section 3.6.

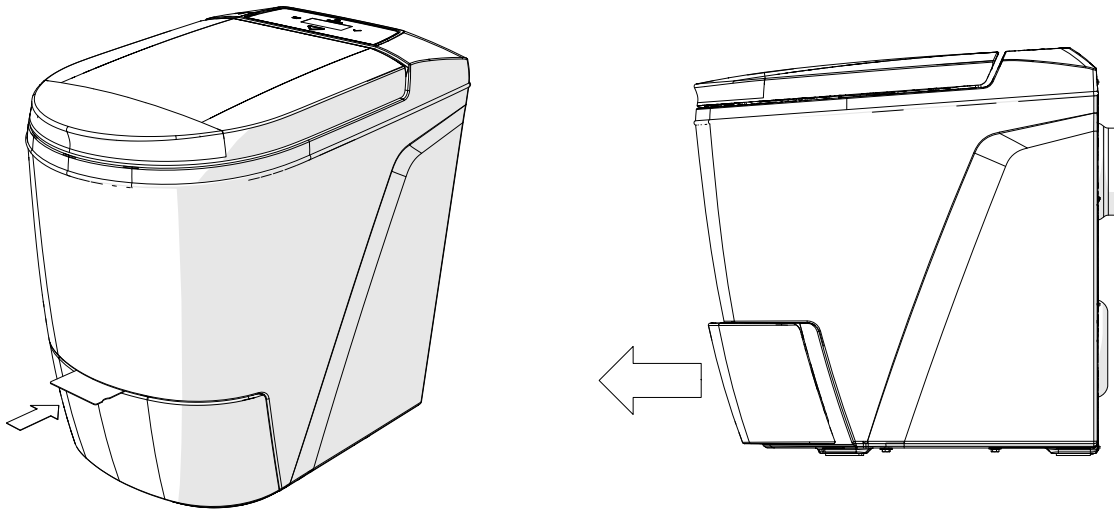


WARNING!

- The ash container in the toilet will become very hot when the toilet is in use.
- Do not attempt to empty the ash container until the toilet has cooled completely.

3.8.1 MANUALLY OPENING THE FRONT COVER

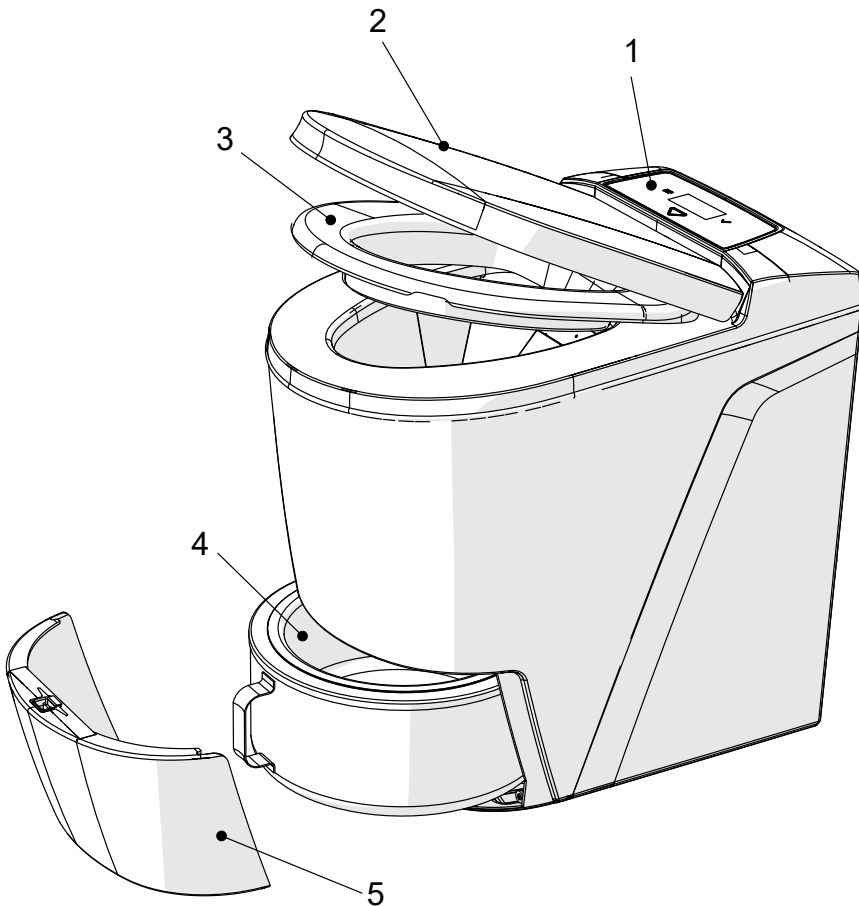
If for some reason removing the front cover through the user panel is not working, the front cover can be opened manually by inserting a thin rigid object between the front cover and the toilet shell in the center line. A credit card is an example of an object that works well.



WARNING!

It is possible to override the system and release the front cover while the interior temperature is above safety limits, make sure to act with caution. Risk of burn injuries when touching hot surfaces.

3.9 APPLIANCE ORIENTATION



ID	PART DESCRIPTION
1	Control panel w/display
2	Lid
3	Seat
4	Ash container with insert
5	Front cover

4. GENERAL MAINTENANCE INSTRUCTIONS

A smooth-running air circulation system is critical to keep your toilet functioning properly. Particles generated during the incineration process can clog the catalytic converter and flue pipe over time, and it is important to regularly maintain these parts to ensure proper functionality.

In order to ensure optimal operation and extend the lifetime of your Cinderella Premium appliance you will need to set aside a little time for preventive maintenance. Good maintenance routines will give you lower operating costs and cause less wear on the product. We strongly advise our customers to perform frequent maintenance as follows:

1. Empty the toilet frequently. Do not base your use on the maximum limit of the appliance.
2. Always clean the ash container and insert when emptied (see section 4.2.1).
3. Always perform the steam cleaning after each box of bowl liners (500 uses), preferably after each emptying and washing of the ash container (see section 4.2.2).
4. Rinse the catalytic converter with hot water after each box of bowl liners (500 uses) or more often if necessary. (see section 4.2.6).
5. Always observe the end result characteristics when emptying the toilet. Deviations in the end result may indicate the need for maintenance or service (see section 4.1).

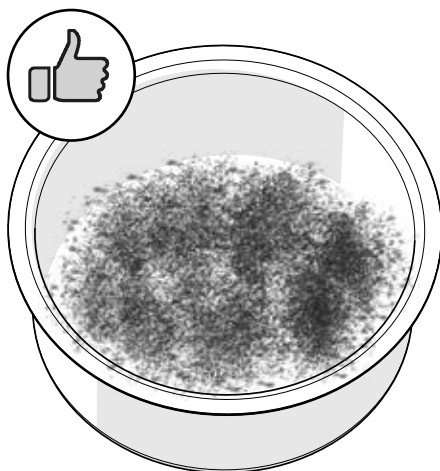


WARNING!

Before performing maintenance, always make sure that the toilet is not in incineration mode and that the toilet is sufficiently cooled.

4.1 END PRODUCT CHARACTERISTICS

The residual waste, or “ashes”, will consist of pathological residue, salts and minerals, and will therefore often be perceived as hard and crystallized. There should be no visible signs of paper or flaky layers of unburned waste, the ashes should be a combination of white and dark shade of grey. If there are larger deposits of black unburned waste, humidity or paper when emptying the toilet, please start an additional incineration without inserting paper or water. When the incineration is completed, empty the ash container and perform the maintenance procedures as instructed in this manual.

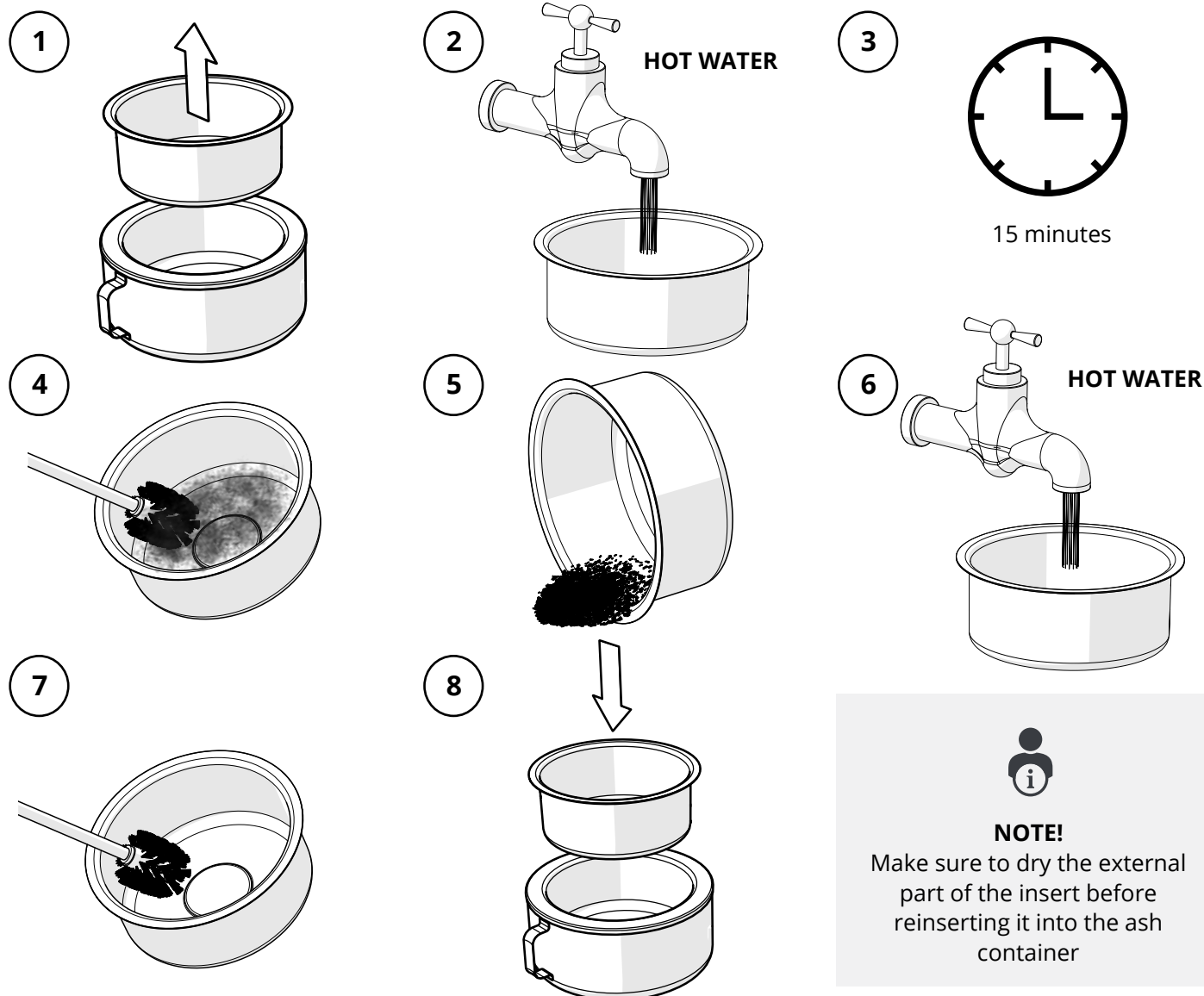


NOTE!

The residual ash is sterile and does not contain bacteria or pathogens. Residual ash is recommended to be disposed of as trash. Note that restrictions may apply in some countries, make sure to familiarize yourself with and follow local rules.

4.2 MAINTENANCE

4.2.1 EMPTYING AND CLEANING THE ASH CONTAINER



CAUTION!

Do not use any sharp tools or objects when cleaning the ash container insert, as this will damage the insert and reduce its service life.



NOTE!

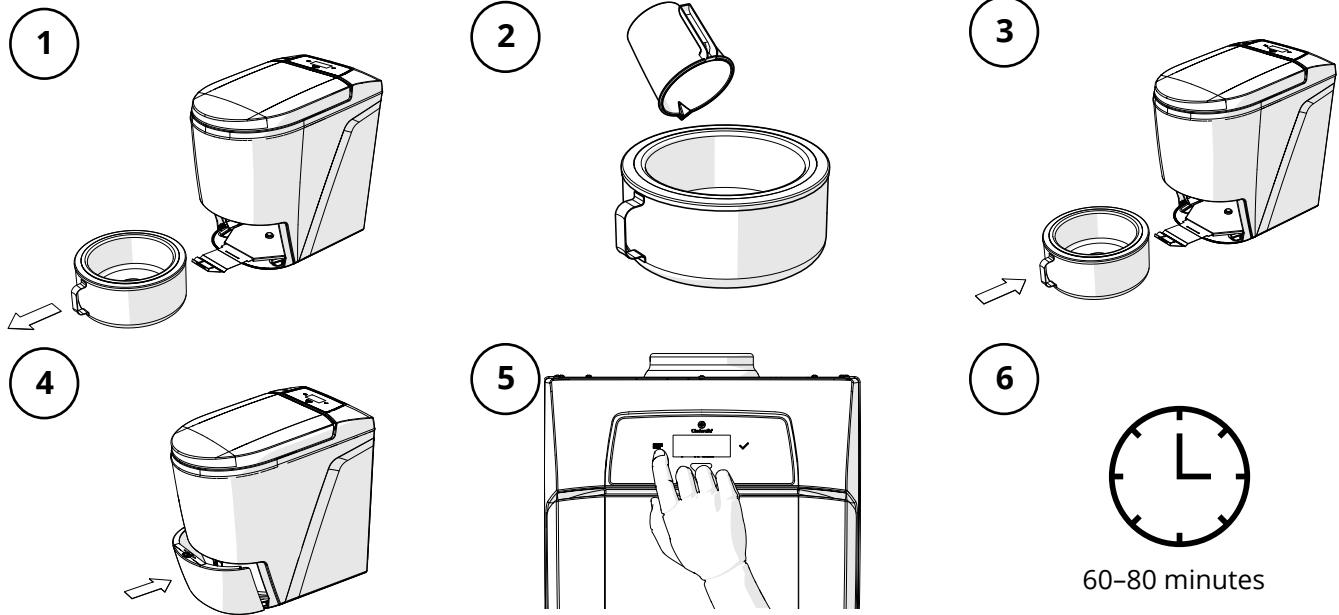
- In order to preserve the functionality of your toilet in the best possible way, we recommend that you carry out the “steam cleaning” procedure in accordance with section 4.2.2 every time you empty and wash the insert. This will prevent the possible accumulation of tar and unwanted deposits in the catalytic converter and toilet exhaust system.
- When emptying the toilet, make sure that the grid power is connected. Emptying the appliance without power will not enable the system to reset the use counter.
- It is better to empty the ash as often as possible for better incineration efficiency.

4.2.2 STEAM-CLEANING THE CATALYTIC CONVERTER

Recommended frequency: When emptying the ash container.

1. Ensure that the toilet is cold and the ash container has been emptied and cleaned (see section 4.2.1).
2. Remove the front cover and release the ash container.
3. Pour approximately 1 L of clean water into the toilet insert

4. Insert the ash container carefully without spilling any water, and attach the front cover.
5. Navigate to the "Service" menu and then "Steam cleaning"
6. The water will start to boil and the steam will clean out any debris in the catalytic converter. This system cleaning will normally take 60–80 minutes.



NOTE!

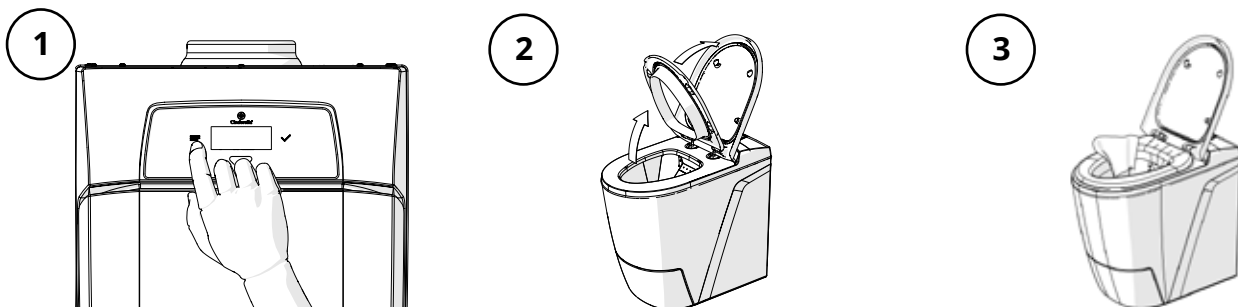
Do not use the toilet during the maintenance procedure, as this will impair the function of the cleaning. The toilet can be used when the toilet returns to standby mode.

4.2.3 CLEANING THE BOWL

Recommended frequency: as required for cleanliness and when emptying the ash container.

To clean the bowl:

1. Navigate the main menu to the "Service" sub menu and choose "clean toilet" (see section 3.6.3)
2. Open the seat and lid
3. Use moist paper, water and a mild cleaning agent as required. Drop the paper in the bowl and close the lid.



DANGER!

- Do not use flammable cleaning agents to clean the bowl.
- Some metal edges may be sharp
- The toilet needs to be cooled and in standby mode before cleaning the bowl.



WARNING!

Only the lid has soft-close, make sure to avoid damaging your hands.



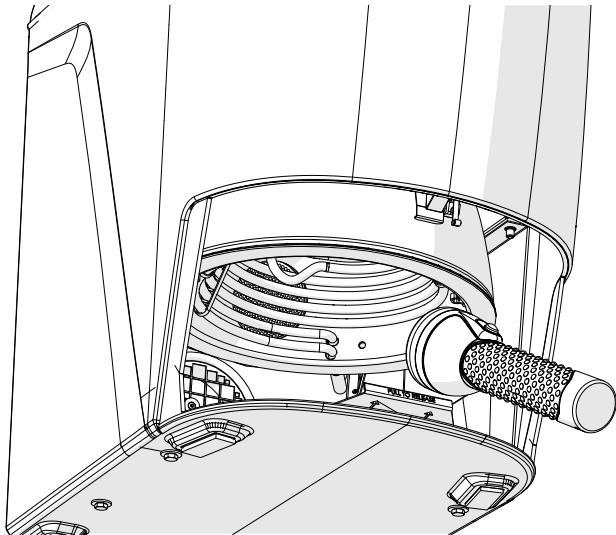
CAUTION!

Do not use chlorine-based cleaning agents to clean the bowl. Chlorine is extremely harmful for the catalytic converter and if put into the toilet it may cause the catalytic converter to malfunction.

4.2.4 INSPECTING THE CATALYTIC CONVERTER

Recommended frequency: Every 500 uses.

The catalytic converter is the primary air duct between the incineration chamber and the appliance flue terminal. Any accumulations of particles in the catalytic converter will reduce the flow rate and the toilet efficiency, and may be the cause of bad odour. It is therefore important to ensure that the catalytic converter is open at all times. Any changes in incineration time, incineration efficiency or odour, may be due to dense catalytic conversion. The best method to easily clean the catalytic converter is to perform "steam cleaning" as described in section 4.2.2. You can also inspect the front of the catalytic converter by removing the ash container and illuminating the incineration chamber from the inside. Any remaining particles or odours persisting after steam cleaning will have to be removed by rinsing the catalytic converter with hot water as described in section 4.2.6



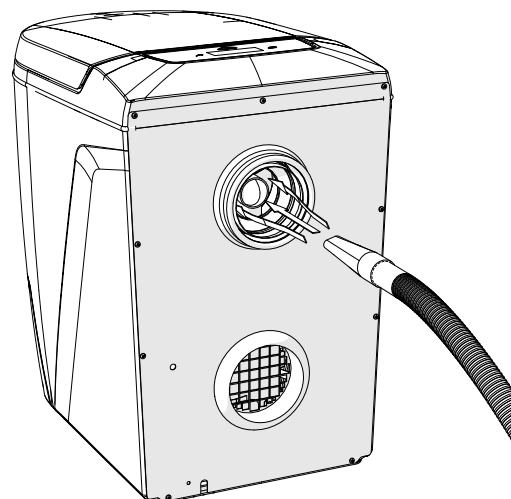
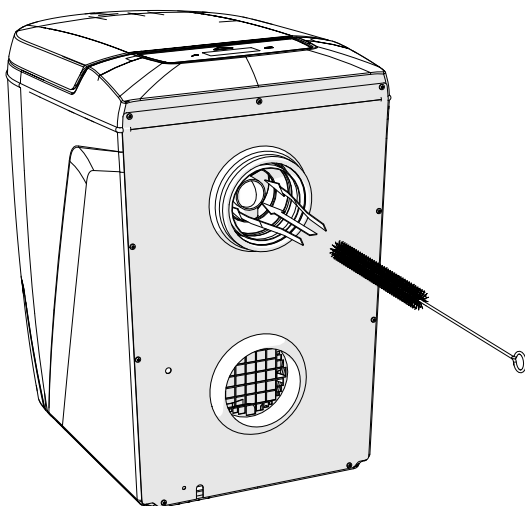
NOTE!

Clear signs of corrosion or deformity of the catalytic converter will indicate that the catalytic converter must be replaced. Contact your local service provider to arrange for service.

4.2.5 CLEANING THE APPLIANCE FLUE TERMINAL

Recommended frequency: at least every 500 uses.

1. The appliance will have to be disconnected from the flue pipe and power source.
2. Clean the flue terminal with a flexible brush, it is important that you clean both the flue terminal and surrounding venturi all the way back to the fan blades, this to get sufficient air flow.
3. Remove the ash container and clean out any debris in the container.
4. Use a vacuum cleaner to extract the remaining debris in the flue terminal and catalytic converter.
5. Reconnect the appliance to the flue pipe and power supply.
6. Install the ash container and front cover.
7. It is recommended that you perform a steam cleaning as described in section 4.2.2 after performing the flue terminal maintenance.



4.2.6 RINSING THE CATALYTIC CONVERTER WITH HOT WATER

Recommended frequency: once a year or at least every 500 uses.

Rinsing the catalytic converter with water may be necessary in situations where steam cleaning do not remove the particles or bad odours. This procedure requires heavy lifting and a facility where spillage of water is acceptable. Make sure to perform steps 1.-7. in the "Cleaning the appliance flue terminal" (section 4.2.5) procedure and follow the steps as follows.

1. Place the toilet where it is OK to spill water, e.g. where there is a suitable drain, outside or in a bath. Use the specially designed Cinderella funnel, or a funnel that fits in the flue terminal. Tilt the toilet forward, and pour 2–3 L of hot water through the flue terminal and catalytic converter. The excess water should be clean at the end of the rinsing process. If necessary, use more water to properly clean the system.
2. Repeat step 1 4-5 times until the water is clean and no crystals or other obstructions can be spotted when inspecting the catalytic converter (see section 4.2.4). Step 1 should be repeated 4-5 times even if the water is clear before that point.
3. Reconnect the appliance to the flue pipe and power supply.
4. Install the ash container and front cover.
5. Perform the performance test as described in section 2.8.



NOTE!

Before disconnecting the appliance and rinsing the system with hot water, inspect the catalytic converter and perform steam cleaning in accordance with section 4.2.2. If the catalytic converter is still clogged, or odour is still noticeable when incinerating, perform the rinsing as described above



CAUTION!

The front of the outer shell is thin and should therefore not carry the entire weight of the toilet. Be gentle while tilting the appliance and make sure that the toilet is placed in such a position that the toilet shell is safeguarded. It is advised to be two people to do this operation, where one can hold the toilet while the other rinses the catalytic converter.

5. TROUBLESHOOTING AND FAQ



WARNING!

Service must be performed in accordance with all state, municipal and local codes. If you are unsure of the regulations in your area, please contact your nearest dealer or service representative for further instructions. The power should be disconnected when performing all servicing and maintenance on the toilet.

Online Troubleshooter Module

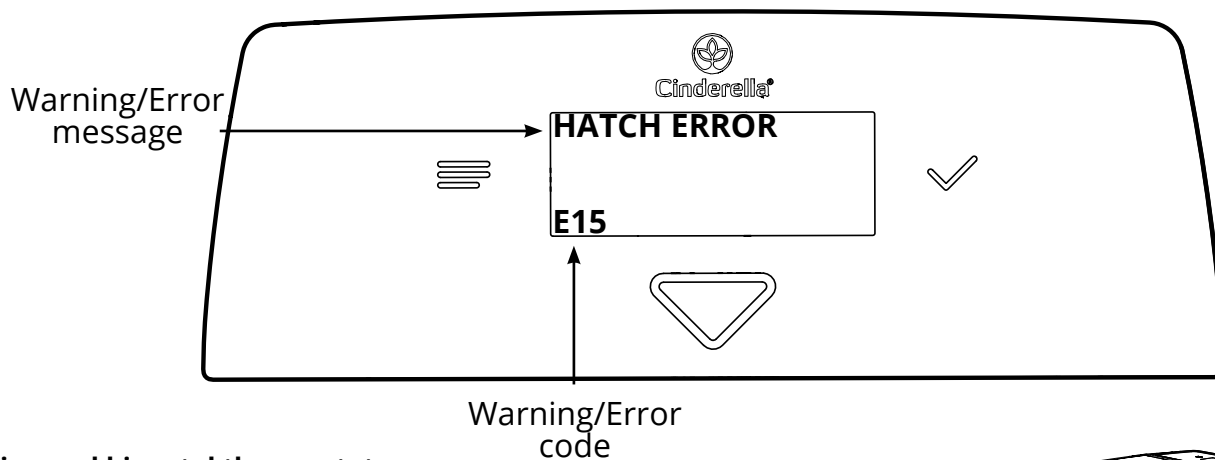
If the toilet encounters any problems during operation, it will display a warning code or error code as described under "Warning & Error messages" on the next page. We have gathered the most common errors / problems in an online troubleshooter, so that you can easily get answers to what is wrong with your toilet, and get suggestions on how you can solve the problem yourself.

Resetting the toilet system

During cleaning and troubleshooting, resetting the electronics may sometimes be helpful. You can do this by pressing the menu button, selecting the “service” sub menu and then selecting the “reset toilet” option.

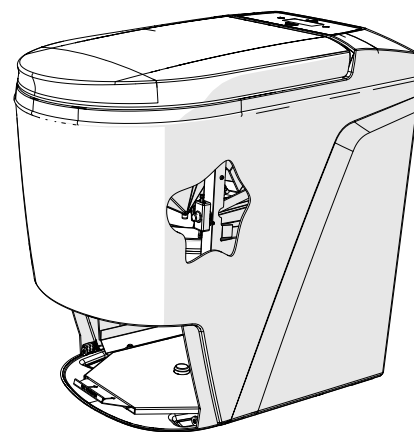
Warning & Error messages

When a warning or error message is displayed, you should usually investigate and fix the issue before using the toilet. You must take immediate action in the event of any irregularities such as odours, poor incineration or system failures, in order to avoid damage and unnecessary repair costs.



Triggered bi metal thermostat

The bi metal thermostat is triggered if the internal temperature in the toilet is too high. This will normally occur if there is a lack of air flow, or restriction in the inlet- or outlet section of the installation. It is therefore important that you check that the intake air is in accordance with the specifications, and that the flue pipe is open and free of obstacles. Visually check the catalytic converter and perform the steam cleaning procedure in accordance with section 4.2.2. To reset the bi metal thermostat, remove the ash container and reach your hand up on the right side of the toilet and push the button on the thermostat located on the frame as shown in the illustration.



During a power outage

If an incineration process is ongoing during a power outage, you may experience temporary odours from inside the toilet and smoke and odours from the flue pipe outside. The fan will operate on battery power until it is cooled. Since the incineration will not automatically restart when the mains power returns, you must manually start a new incineration cycle. If the power outage is expected to last for longer than two hours, it is important that you empty any waste from the toilet, as this could damage the toilet if it remains there for a longer period of time. Never use the toilet during a power outage.

Odours in the room

Odours can have several causes:

1. Failure to use a bowl liner each time the toilet is used or improper use of the liner.
2. The airflow may be blocked. Inspect the flue pipe and flue termination cap.
3. Check that the installation has been performed in accordance with the installation manual. Too much restriction in the flue pipe could cause back pressure and cause odours inside.
4. The flue pipe or flue terminal may be clogged. See section 4.2.5
5. The catalytic converter may be clogged. See section 4.2.6
6. The flue pipe is not properly fixed to the toilet. See section 2.5.1.

Odours outside

The causes may be the same as for inside the room, or:

1. The catalytic converter has not reached operational temperature. When the toilet is cold it can take a few minutes before the catalytic converter reaches the temperature where it starts to function properly.
2. The catalytic converter may be corroded or deformed. Contact your service provider.

Powersurges

If the appliance experiences a surge of power, for example during a lightning storm, the appliance will reset automatically, and a new incineration will have to be started manually.

5.1 TROUBLESHOOTING TABLE



NOTE!

Cinderella has developed a digital troubleshooting module that can be found on our website. This module will work as a guide and supplement in addition to the troubleshooting table. Please visit www.cinderellaeco.com

INFORMATION	REQUIRED ACTION
Could not perform action	The appliance is currently performing an program, and can therefore not start another. For example if steam cleaning is running, you can not empty ash at the same time.
Toilet is too hot	The action you want to perform can not be executed because the appliance is currently too hot. Wait for the appliance to cool and try again.
Must empty ash before steaming	Before running steam cleaning, the ash container has to be emptied. Empty the ash and try again.

CODE	WARNING	REQUIRED ACTION
W10	70 or more deposits since last time ash was emptied.	Consider emptying the ash container
W11	90 or more deposits since last time ash was emptied.	Empty the ash container
W12	Front lid is open.	<ol style="list-style-type: none"> 1. Unless you are doing maintenance, insert the front lid. If the lid is mounted, try readjusting it or removing and reinserting it. 2. If warning persists, inspect the switch located in the middle top part of the opening for the lid. If the metal is bended inwards, bend it back out. 3. If warning still persists, contact a service provider.
W14	The previous incineration took to long.	<ol style="list-style-type: none"> 1. Make sure installation is in accordance to specification, that airflow is unobstructed. 2. Reset the toilet as described in section 5. 3. If error persist contact a service provider.
W15	Ash container is missing or not in position. Ash container sensor may not be working correctly.	<ol style="list-style-type: none"> 1. If not doing maintenance, reinsert ash container 2. If warning persists, retry a couple of times, make sure the container is all the way in, and that the lock/release mechanism is pushed all the way in as well. 3. If warning still persists, contact a service provider.
W16	Many deposits during last hour. Toilet bowl may overflow. Use with caution.	Consider waiting before further use
W17	The battery is not detected.	<ol style="list-style-type: none"> 1. Reset the toilet as described in section 5. 2. If warning still persists, contact a service provider.

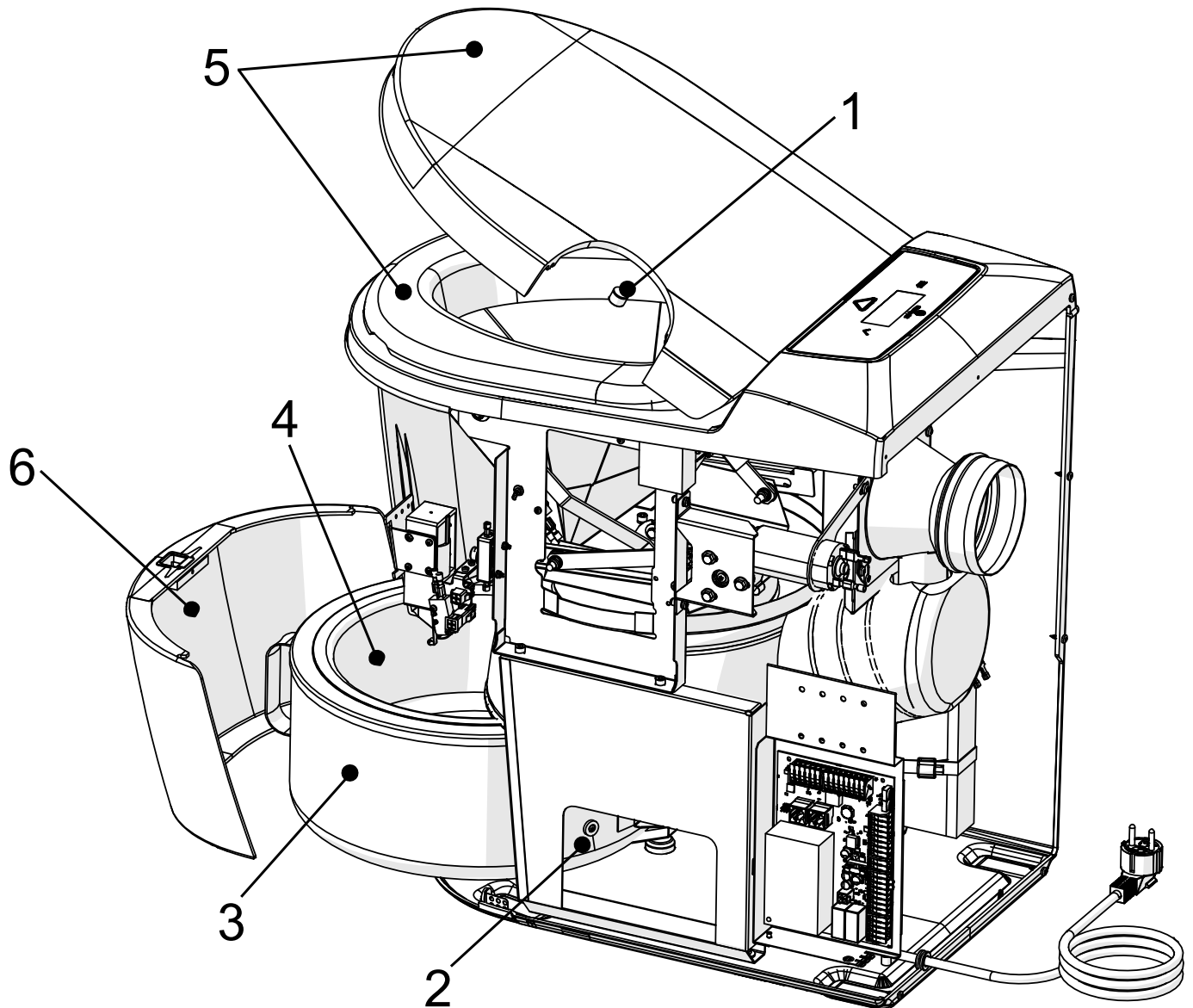
CODE	ERROR	REQUIRED ACTION
E10	Heating circuit error	<ol style="list-style-type: none"> 1. Make sure installation is in accordance to specification. 2. Reset the bi-metal thermostat as shown in section 5 3. Reset the toilet as described in section 5 4. If error persist contact a service provider.
E11	Temperature sensor error	<ol style="list-style-type: none"> 1. Reset the toilet as described in section 5. 2. If error persists, contact a service provider.
E12	Temperature in toilet shell too high	<ol style="list-style-type: none"> 1. Make sure installation is in accordance to specification, that airflow is unobstructed. 2. Reset the toilet as described in section 5. 3. If error persist contact a service provider.
E13	Vent fan is not working as intended	<ol style="list-style-type: none"> 1. Reset the toilet as described in section 5. 2. If error persist contact a service provider.
E15 E16 E17	Hatch error	<ol style="list-style-type: none"> 1. Open and close lid so that the "Start" button becomes green, then press it to make another deposit. 2. If unsuccessful, reset toilet, insert a bowl liner and pour 3 cups of water into the liner, close lid and press "Start" 3. If unsuccessful wait until the toilet has cooled (fan stopped), restart toilet and use the "unjam hatch" option in the service menu, then check for and remove stuck items manually. 4. If error persists, contact a service provider.
E22	230V main power is not detected.	<ol style="list-style-type: none"> 1. Make sure the toilet is connected to a power source in accordance with section 2.6. 2. If error persists, contact the service department
E24	Failed to open front lid.	<ol style="list-style-type: none"> 1. Make sure there is nothing obstructing the front lid from ejecting. 2. Check if the front lid is loose by pulling gently on it. 3. Try removing the front lid manually as described in section 3.8.1. 4. If problem persists contact a service provider.
E25	Shell temperature sensor error	<ol style="list-style-type: none"> 1. Reset the toilet as described in section 5. 2. If error persists, contact a service provider.

**NOTE!**

There may be errors not listed here displayed on your toilet. If this happens, try to reset the toilet, if this does not fix the issue, contact a service provider and inform them of your error code for further assistance.

6. REPAIRS AND SPARE PARTS

6.1 SPARE PARTS LIST



ID	PART DESCRIPTION	ART. NO
1	Magnet 14x10 mm	100433
2	Magnet 14x7 mm	100065
3	Ash container	101713
4	Ash container insert	100014
5	Lid & Seat	101669
6	Front cover	101695

6.2 APPLIANCE PROCESS OVERVIEW

The Cinderella appliance is designed according to fail-safe principles. In the event of component failure or faulty control signals, the toilet will go into "safety mode". This means that the unit will not be able to start an incineration and error messages will appear on the display, ensuring that all component and/ or signal failures that may occur are safeguarded in the system

The appliance is equipped with hall sensors that control both the lid and ash container. These sensors are normally open and will be triggered when in contact with the magnet(s) mounted on the outside of the container and inside the toilet lid.

When the lid is opened, the axial fan will start to ventilate the system. After each use, the incineration is activated by pressing the button on the control panel. The bowl liner with its waste contents is dropped from the toilet bowl into the incineration chamber, where it is safely incinerated at a high temperature.

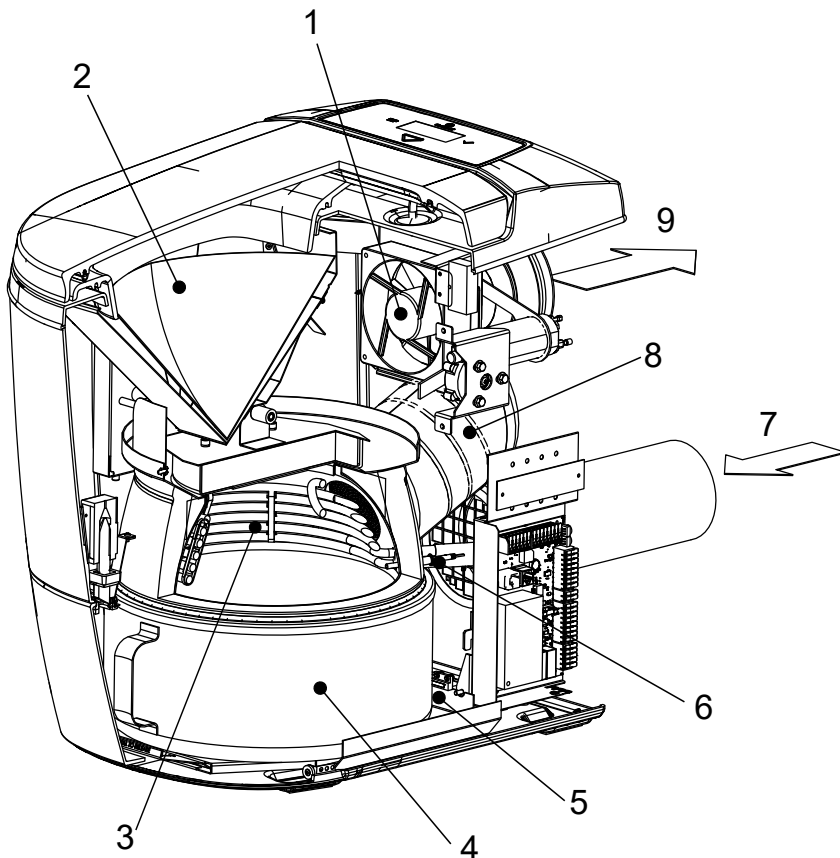
The hatch mechanism is controlled by two microswitches, one mounted on the top of the toilet frame to check that the hatch is in the desired "open" position, and one mounted on the lower front end of the appliance ensuring that the hatch is in safe, enclosed position.

During incineration, the air supplied into the appliance provides the oxygen required for proper incineration. The flue pipe removes excess heat. All fumes and vapours are processed through a heat-activated platinum catalyst to reduce emissions and odours.

The temperature inside the incineration chamber is closely monitored by the thermocouple mounted inside the chamber, the temperature inside the toilet is safeguarded by the bimetal thermostat mounted on the interior frame of the toilet.

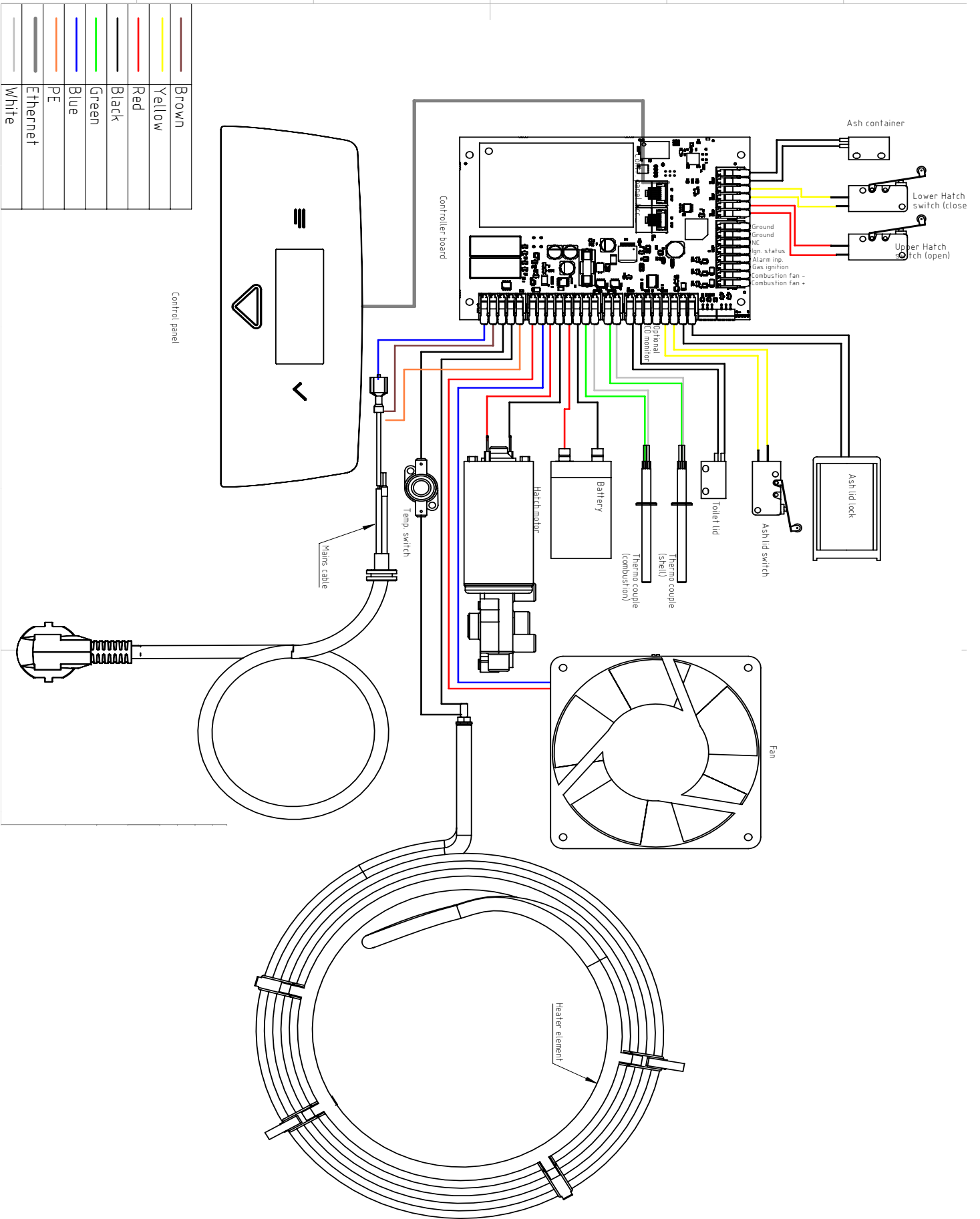
The incineration process can take 40 – 180 minutes and is controlled automatically by the appliance's sensory technology. The toilet can be used at any time while incinerating. The incinerating process will be paused when the lid is opened and automatically reactivated when lid is closed. Numerous safeguards exist to ensure safe operation. See section 3.4 of this manual.

6.3 TECHNICAL ORIENTATION



ID	PART DESCRIPTION
1	Axial fan
2	Liner placed in bowl
3	Heating element
4	Ash container
5	Hall sensor
6	Thermocouple
7	Inlet air
8	Catalytic converter
9	Outlet air

6.4 WIRING DIAGRAM



7. Warranty

What does this Warranty cover?

This warranty covers defects in materials or workmanship in your Cinderella Incineration Unit on the terms, for the period and subject to the exceptions set out below.

What does this Warranty not cover?

This warranty does not cover normal wear and tear or damage caused by accidents (including fire, floods, hurricanes or acts of nature), abuse, misuse, failure to follow manufacturer directions or improper maintenance. Consequential and incidental damages are not recoverable under this warranty. Cinderella Eco Group does not apply an "on-site" warranty. This means that the toilet must be transported to an Authorized Service Provider who can do the service. If this is not possible, a transport or travel cost may be charged by the dealer.

How long does the Warranty apply?

This warranty lasts for a period of three (3) years from the original date of purchase for regular customers. Professional users are granted one (1) year warranty.

What will Cinderella Eco Group do?

If you submit a valid claim under this warranty, Cinderella Eco Group will either repair, replace or refund the purchase price of your Cinderella Incineration Unit, at its sole discretion.

How do I arrange a service?

To arrange a service, contact your Sales dealer or an Authorized Service Provider in your country. Available service options are dependent on the country in which service is requested.

You may be required to furnish proof of purchase details when making a claim under this warranty. For further warranty information please refer to our web page: www.cinderellaeco.com

Cinderella Eco Group AS

Sjøvikvegen 67, 6475 Midsund, Norway
www.cinderellaeco.com

INNHold

1. GENERELT	3
1.1 INNLEDNING	3
1.2 BRUK I HENHOLD TIL FORSKRIFTER	3
1.3 BRUKSANVISNING	3
1.4 ANSVARSBEGRENSNING	3
1.5 GODKJENNINGER OG SERTIFISERINGER	3
1.6 MILJØKRAV	3
1.7 GENERELLE SIKKERHETSINSTRUKSER	4
1.8 TYPESKILT	5
1.9 CINDERELLA PÅ NETT	5
2. INSTALLASJON	6
2.1 UTPAKKING AV TOALETET	6
2.2 SPESIFIKASJONER FOR MÅL	6
2.3 ORIGINALE INSTALLASJONSPAKKER FOR CINDERELLA TOALET	7
2.4 SPESIFIKASJONER FOR INSTALLERING	8
2.4.1 SPESIFIKASJONER FOR DELER OG MATERIALER	8
2.4.2 INSTALLASJON AV CINDERELLA FORBRENNINGSTOALET	8
2.4.3 INSTALLASJON AV AVTREKKSØR	9
2.4.4 INSTALLASJON AV DET VANNRETTE INNTAKSRØRET	10
2.4.5 INSTALLASJON AV DEN ORIGINALE CINDERELLA-PIPEHATTEN	11
2.5 ELEKTRISKE SPESIFIKASJONER OG KRAV	11
2.6 SJEKKLISTE FOR Å VERIFISERE KOMPLETT INSTALLASJON	12
2.7 YTELSESTEST FOR Å VERIFISERE SYSTEMETS FUNKSJON	12
3. BRUK	13
3.1 BRUKSOMRÅDE OG HÅNDTERING	13
3.2 GENERELL SIKKERHET	13
3.3 SIKKER DRIFT	13
3.4 SIKKERHETSFUNKSJONER PÅ CINDERELLA PREMIUM	13
3.5 VIKTIG INFORMASJON OM BRUK	14
3.6 BETJENING AV TOALETET	15
3.6.1 BETJENINGSPANELET	15
3.6.2 STARTSIDEN	15
3.6.3 NAVIGERING I MENYENE	16
3.7 BRUK AV CINDERELLA PREMIUM-TOALETET	17
3.8 BETJENING AV FRONTDEKSELET OG ASKEBEHOLDEREN	18
3.8.1 MANUELL ÅPNING AV FRONTDEKSELET	19
3.9 APPARATETS BESTANDDELER	19
4. GENERELLE VEDLIKEHOLDSINSTRUKSER	20
4.1 FORBRENNINGSRESTENES EGENSKAPER	20
4.2 VEDLIKEHOLD	21
4.2.1 TØMMING OG RENGJØRING AV ASKEBEHOLDEREN	21
4.2.2 DAMPRENGJØRING AV KATALYSATOREN	21
4.2.3 RENGJØRING AV SKÅLEN	22
4.2.4 INSPEKSJON AV KATALYSATOREN	23
4.2.5 RENGJØRING AV TOALETETS AVTREKKSØBLING	23
4.2.6 SKYLLING AV KATALYSATOREN MED VARMT VANN	24
5. FEILSØKING OG SVAR PÅ VANLIGE SPØRSMÅL	24
5.1 FEILSØKINGSTABELL	26
6. REPARASJONER OG RESERVEDELER	28
6.1 RESERVEDELSLISTE	28
6.2 OVERSIKT OVER FORBRENNINGSPROSESSEN	29
6.3 APPARATETS TEKNISKE KOMPONENTER	29
6.4 KOBLINGSSKJEMA	30
7. GARANTI	31

1. GENERELT

1.1 INNLEDNING

For å garantere at det nye Cinderella-toalettet ditt fungerer som det skal, er det viktig å sørge for riktig ventilasjon i samsvar med retningslinjene i denne håndboken. Feil installasjon kan føre til funksjonsfeil, slitasje eller lukt og vil gjøre garantien ugyldig. De tekniske og administrative forskriftene som gjelder i landet der produktet installeres, må overholdes.

1.2 BRUK I HENHOLD TIL FORSKRIFTER

Dette produktet er laget for å forbrenne kroppslige avfallsprodukter og små sanitærartikler som tamponger og alkoholfrie våtservietter.

1.3 BRUKSANVISNING

Les denne håndboken grundig før installasjon og første gangs bruk. Oppbevar håndboken på et trygt sted, slik at du kan slå opp i den ved behov. Hvis du gir forbrenningstoalettet videre til andre, skal du overlevere denne håndboken sammen med toalettet.

Håndboken gir deg den veiledningen du trenger for å installere, håndtere og vedlikeholde produktet på riktig måte. Det er viktig at både installatøren og brukeren gjør seg kjent med instruksene i håndboken. Håndboken inneholder også informasjon om profesjonelt vedlikehold og nødvendige opplysninger for service og reparasjoner.

Ytterligere informasjon og en digital versjon av dette dokumentet finnes på www.cinderellaeco.com

1.4 ANSVARSBEGRENSNING

Under utarbeidelsen av informasjonen og veiledningen i denne bruksanvisningen er det tatt hensyn til gjeldende standarder og forskrifter samt dagens teknologi. Cinderella Eco Group AS forbeholder seg retten til når som helst å gjøre endringer som anses å forbedre produktet og sikkerheten.

Produsenten påtar seg ikke noe ansvar for skader på produktet i følgende tilfeller:

- Feil installasjon eller tilkobling
- Skade som følge av mekaniske faktorer og/eller feil tilkoblingsspenning
- Modifikasjoner av eller inngrep i apparatet
- Bruk til andre formål enn det som er beskrevet i håndboken
- Manglende overholdelse av instruksene for bruk og vedlikehold
- Anvendelse i strid med lokale forskrifter eller bestemmelser
- Bruk av ikke-originale papirposer og reservedeler

1.5 GODKJENNINGER OG SERTIFISERINGER

Cinderella Premium er grundig testet av NEMKO i henhold til den europeiske standarden for elsikkerhet og elektromagnetisk kompatibilitet.

1.6 MILJØKRAV

- Omgivelsetemperatur: -20°C – 40 °C
- Høyde over havet: Testet opptil 2500 m



ADVARSEL!

Når Cinderella-toalettet er installert, må minimumsavstanden til brennbare overflater/konstruksjoner være 50 mm fra sidene og 50 mm fra baksiden.

1.7 GENERELLE SIKKERHETSINSTRUKSER



FARE!

Sikkerhetsinstruks: Manglende overholdelse av denne instruksen kan føre til alvorlig personskade eller død.



ADVARSEL!

Sikkerhetsinstruks: Manglende overholdelse av denne instruksen kan føre til personskade.



FORSIKTIG!

Manglende overholdelse av denne instruksen kan føre til materiell skade og forringe produktets funksjon.



OBS!

Tilleggsinformasjon angående bruk av produktet.



FARE!

- Ikke spray aerosoler i nærheten av dette produktet når det er i bruk.
- Ikke bruk eller lagre brennbare materialer i eller i nærheten av dette produktet.
- Ikke plasser ting på eller opp mot dette produktet.
- Ikke gjør endringer på produktet.



FARE!

- Ikke bruk forbrenningstoalettet hvis det er synlig skadet.
- Hvis strømkabelen til toalettet er skadet, må den skiftes ut av produsenten, kundeservice eller en tilsvarende kvalifisert person for å unngå sikkerhetsrisiko.
- Dette toalettet skal bare repareres av kvalifisert personell. Mangelfulle reparasjoner kan medføre alvorlig risiko.
- Bruk toalettet bare med spenningen som er angitt på typeskiltet på baksiden av apparatet.



ADVARSEL!

- Klemfare! Ikke plasser hånden på hengslet eller under toalettsetet mens det er åpent. Det er ingen myk lukkefunksjon på lokket eller setet.
- Ikke tøm askebeholderen mens den er varm.
- Forsikre deg om at strømkabelen og støpselet er tørre før du aktiverer toalettet.
- Les nøye gjennom og forsikre deg om at du forstår alle veiledninger og sikkerhetsinstruksjoner i denne håndboken før du tar toalettet i bruk. Ta vare på denne håndboken og bruk den som referanse for å opprettholde sikker funksjonalitet og for å instruere eventuelle andre brukere.







FORSIKTIG!

- Hold alltid rundt toalettskallet når du flytter eller transporter toalettet, og løft det aldri etter strømkabelen, frontdekselet, lokket, setet eller avtrekksstussen.
- Fare for overoppheting! Sørg alltid for tilstrekkelig ventilasjon, slik at varmen og utslipene som oppstår ved forbrenning, kan spres seg fra avtrekksrøret. Sørg for tilstrekkelig luftstrøm til systemet. Sørg alltid for tilstrekkelig ventilasjon inn i toalettet. Forsikre deg om at toalettet står langt nok unna vegger og andre gjenstander til at luft kan sirkulere.

1.8 TYPESKILT

Typeskiltet finner du nede på venstresiden av forbrenningstoiletet. På typeskiltet finner du toalettets modellnavn, serienummer og tekniske spesifikasjoner samt kontaktinformasjon. Du trenger disse opplysningene for å kontakte kundeservicesenteret eller bestille reservedeler.

 Cinderella Eco Group AS Sjøvikvegen 67, 6475 Midsund, NORWAY For sales/support visit: www.cinderellaeco.com CINDERELLA PREMIUM MODEL: EM03CS10 SERIAL:	Appliance Specifications VOLTAGE..... 220-240 V AC 50-60Hz CURRENT 9 A HEATING ELEMENT:..... 2000W EL MOTOR: 12 V DC BATTERY: 12 V DC 2,6 Ah FAN BLOWER..... 12 V DC PROTECTION CLASS..... IP 34 CAPACITY..... 4 VISITS PR. HOUR CIRCUIT BOARD..... E6 YEAR OF MANUFACTURING..... 2023 DESIGNED FOR STATIONARY STRUCTURES	  
---	---	--

1.9 CINDERELLA PÅ NETT



Registrer deg i «MY CINDERELLA»

Når du registrerer toalettet ditt i «My Cinderella», mottar du relevant informasjon om produktene våre og tilgjengelige støttesystemer samt spesialtilbud tilpasset toalettmodellen. Registrerte toaletter ligger i databasen vår i tilfelle tyveri.

Feilsøking på nettet

En komplett veiledning til toalettet ditt, med nyttige råd og brukerforbedringer, slik at du kan løse de vanligste problemene på egen hånd uten å måtte be om hjelp.

Enkel tilgang til informasjon

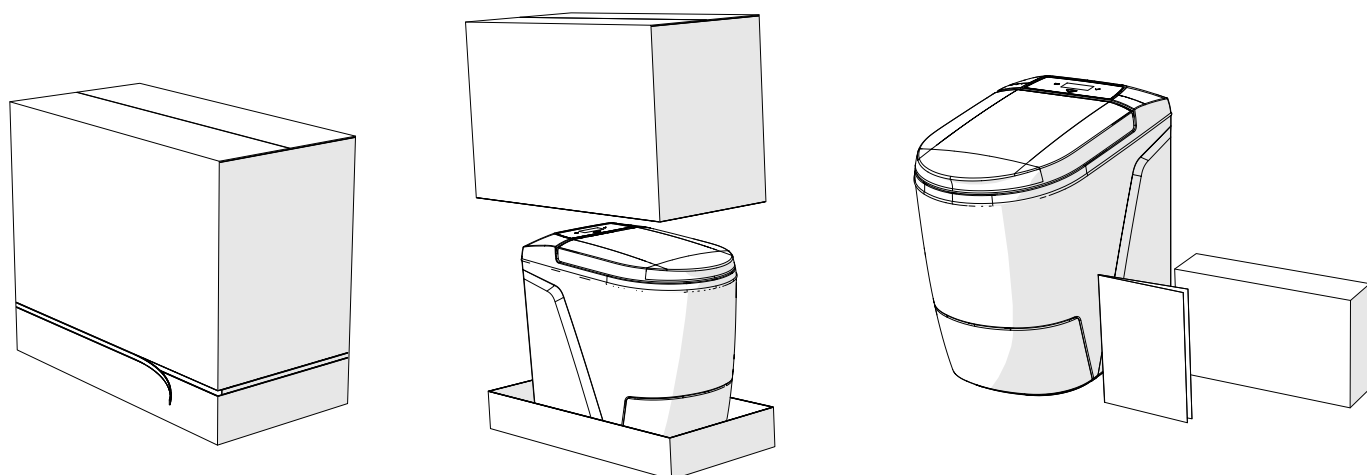
Du kan laste ned produktdokumentasjon fra dokumentasjonssenteret vårt på nettet, der du også finner produkt-håndboken.

Service og reservedeler

Velg land og motta en liste over lokale forhandlere hvor du kan få service og reservedeler.

2. INSTALLASJON

2.1 UTPAKKING AV TOALETET



OBS!

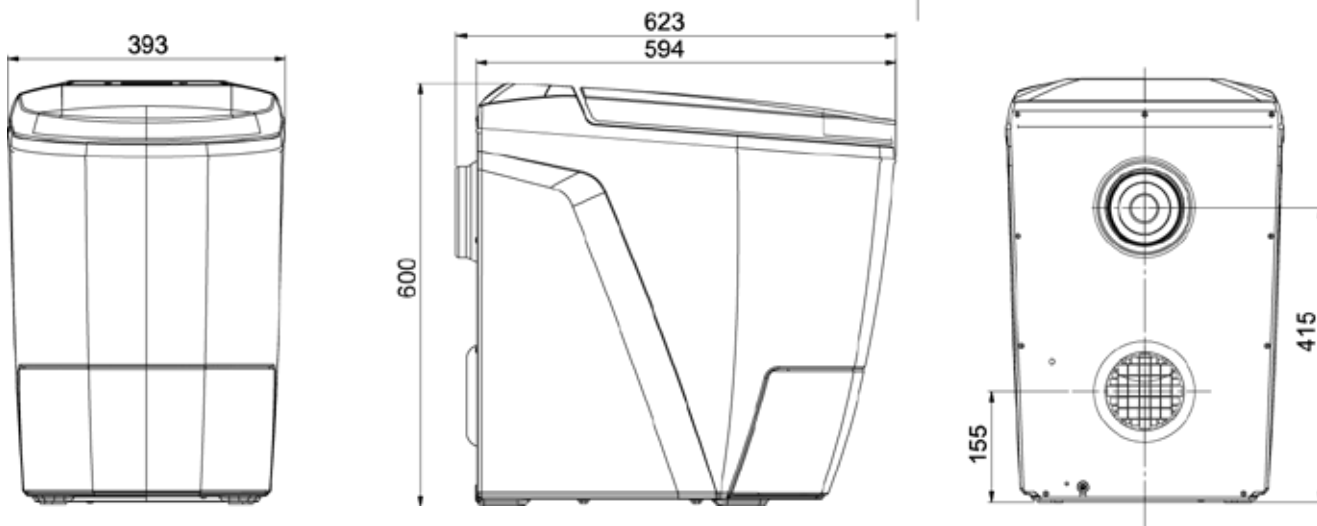
Når du pakker ut Cinderella-toalettet, bruk remsen som er festet langs bunnen av kassen. Trekk av remsen rundt hele kassen og løft kassen av.

INKLUDERTE ARTIKLER	ANT.
Cinderella Premium	1
Papirposer	100
Produkt håndbok	1

2.2 SPESIFIKASJONER FOR MÅL

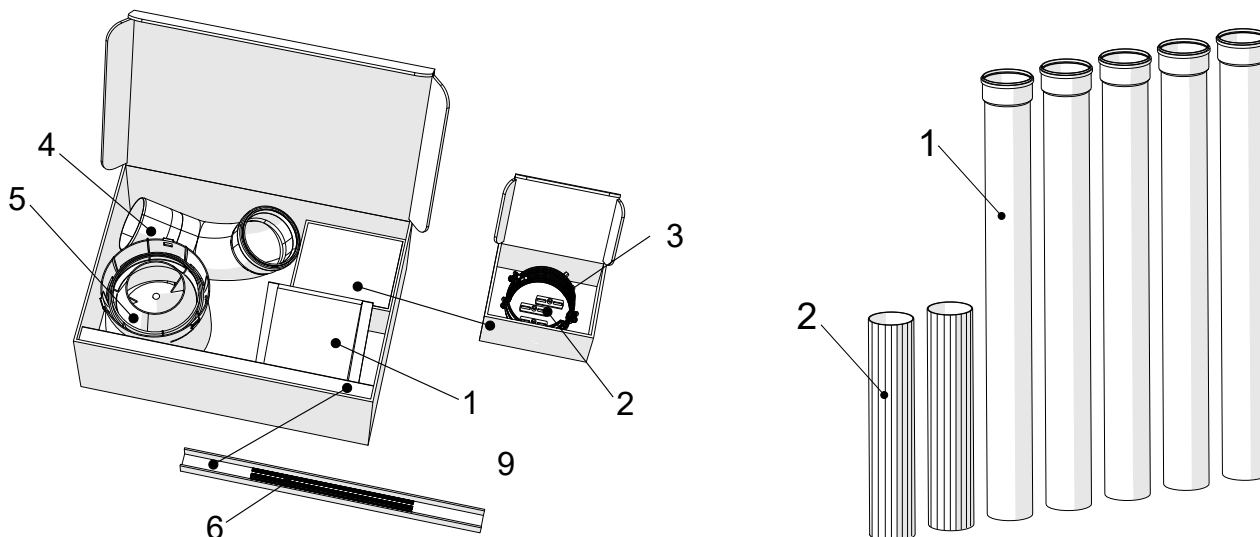
Høyde	600 mm
Sittehøyde	540 mm
Bredde	393 mm
Dybde	623 mm

Ventilasjonsrørets ytre diameter	110 mm
Høyde senter utløp	415 mm
Høyde senter inntak	155 mm
Vekt	33 kg



2.3 ORIGINALE INSTALLASJONSPAKKER FOR CINDERELLA TOALET

Cinderella originalt installasjonssett: Vi anbefaler på det sterkeste at du bruker «Cinderella originalt installasjonssett» når du installerer toalettet ditt. Dette komplette settet inneholder deler som er nødvendige for en ideell installasjon, og optimaliserer forbrenningsprosessen og funksjonaliteten til toalettet. Installasjonssettet består av to kasser. Kasse nr. én inneholder en optimalisert pipehatt og et originalt bend som øker systemets strømningshastighet og forbrenningseffektivitet. Esken inneholder en stormkrage til luftinntaket samt rør og klemmer for å støtte rørinstallasjonen. Kasse nr. to inneholder sju 110 mm UV-stabiliserte PP-rør av høy kvalitet for installering av luftinntak og avtrekk.



CINDERELLA-INSTALLASJONSSETT, BOX 1		ANT.
1	Stormkappe	1
2	Veggfestestang	3
3	Støtteklemme	3
4	Bend 87° med avtapping	1
5	Pipehatt	1
6	Gjengestang	3

CINDERELLA ORIGINALT INSTALLASJONSSETT BOX 2		ANT.
1	Hann-hunn 1015 mm avtrekksrør	5
2	Hann-hann 500 mm avtrekksrør	2



OBS!

- Denne håndboken forklarer og illustrerer hvordan du installerer toalettet på en optimal måte, ved bruk av de medfølgende delene i det originale Cinderella-installasjonssettet. Hvis du vil installere Cinderella-toalettet ditt med andre rør og deler enn de originale fra oss, må du forsikre deg om at de samsvarer med spesifikasjonene angitt under avsnitt 2.4.1 «Spesifikasjoner for deler og materialer».
- For å garantere at Cinderella forbrenningstoalett fungerer som det skal, er det viktig å sørge for riktig ventilasjon i samsvar med retningslinjene i denne håndboken. Installasjoner som avviker fra produsentens spesifikasjoner, eller bruk av ikke-godkjente deler i installasjonen av produktet, vil forårsake funksjonsfeil, slitasje eller lukt og gjøre garantien ugyldig.

2.4 SPESIFIKASJONER FOR INSTALLERING

2.4.1 SPESIFIKASJONER FOR DELER OG MATERIALER

ARTIKKEL	SPESIFIKASJONER
Ventilasjonsrør	Cinderella Premium skal installeres med 110 mm rør med glatt innvendig overflate og minimum indre diameter på 102 mm. Rørmaterialet må være spesifisert for temperaturer over 100 °C og fortrinnsvis av PP- eller CPVC-type. Vi anbefaler på det sterkeste å bruke originale Cinderella PP-kvalitetsrør.
Bend (avtrekksluft)	Cinderella Premium skal installeres med et jevnt buet bend som begrenser luftstrømmen minimalt. Vi anbefaler på det sterkeste å bruke det originale Cinderella-bendet 87° med avtapping.
Pipehatt	Cinderella Premium skal installeres med en pipehatt som hindrer inntrenging av regnvann og begrenser luftstrømmen minimalt. Vindvifter eller lignende skal ikke brukes til ventilasjon av Cinderella forbrenningstoalett. Vi anbefaler på det sterkeste å bruke den originale Cinderella-pipehatten.



FORSIKTIG!

Cinderella Premium-toalettet må ha et eget avtrekksrør, og det er ikke tillatt å installere ventilasjon til toalettet ved bruk av følgende:

- vindvifte eller lignende som erstatning for pipehatt
- Ikke bruk fleksible kanaler eller rør når du installerer Cinderella-toalettet.
- rør med mindre enn 102 mm i indre diameter.
- Bruk aldri 90° bend i tillegg til det medfølgende bendet.
- Bruk aldri netting i ventilasjonsrøret, det vil begrense luftstrømmen i systemet.



OBS!

- Innsiden av ventilasjonsrøret skal være glatt og ikke preget eller rillet.
- Bendet må være tilgjengelig når det er installert, slik at avtappingsrøret kan spyles og avtrekksrøret rengjøres.
- Cinderella Premium er testet for bruk i bad/våtrom (IP 34-klassifisert), men det må ikke sprutes vann over toalettets utvendige deler.
- Toalettet skal monteres på et fast og jevnt underlag og kan installeres på gulv med varme.

2.4.2 INSTALLASJON AV CINDERELLA FORBRENNINGSTOALETT

Det er viktig å sørge for riktig ventilasjon i samsvar med retningslinjene i denne håndboken, for å garantere funksjonaliteten til det nye Cinderella-toalettet ditt. Feil installasjon kan medføre funksjonsfeil, slitasje eller lukt og vil gjøre garantien ugyldig. Les hvert enkelt kapittel grundig før du begynner å installere toalettet. Forsikre deg om at arbeidet utføres av fagfolk i samsvar med lokale forskrifter.



FORSIKTIG!

- Overhold gjeldende tekniske og administrative forskrifter i landet der produktet installeres. Vi anbefaler at du kontakter den lokale forhandleren for å få hjelp til planlegging og installering av Cinderella-toalettet ditt.
- Bruk aldri 90° bend i tillegg til Cinderella-bendet 87° med avtapping.
- Hvis røret føres gjennom taket, må du sørge for at det gjøres i samsvar med byggeforskriftene.
- Ikke bruk fleksible kanaler eller rør når du installerer Cinderella-toalettet.
- Koble aldri mer enn ett toalett til avtrekksrøret.
- Bendet må være tilgjengelig når det er installert, slik at avtappingsrøret kan spyles og avtrekksrøret rengjøres regelmessig.

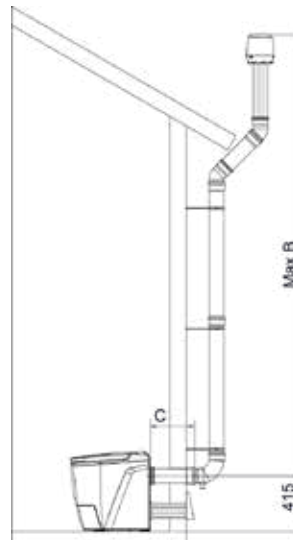
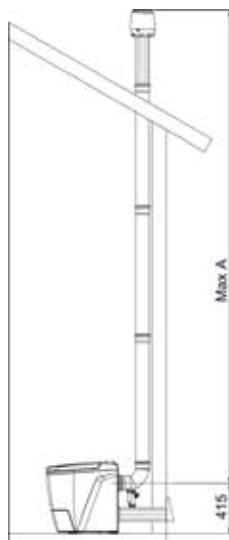


ADVARSEL!

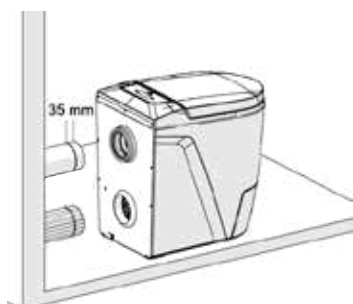
Før du skjærer hull, kontroller alltid at du ikke risikerer å skade elektriske ledninger eller vannrør.

2.4.3 INSTALLASJON AV AVTREKKSØR

DIAMETER AVTREKKSØR	AVTREKKSRETNING	REFERANSE	BEND	MAKSIMAL RØRLENGDE
110 mm	Vannrett avtrekksør	C	(Ikke tillatt)	1000 mm
110 mm	Loddrett avtrekksør	A	Ingen	6000 mm
110 mm	Loddrett avtrekksør	B	2 × 45° bend	5000 mm

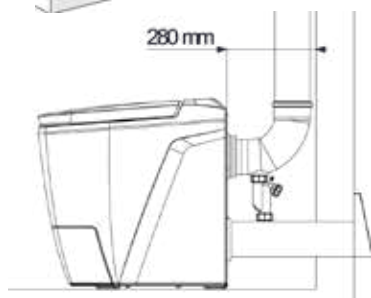


OBS!
Senteret av avtrekkskoblingen på toalettet er 415 mm fra gulvet.



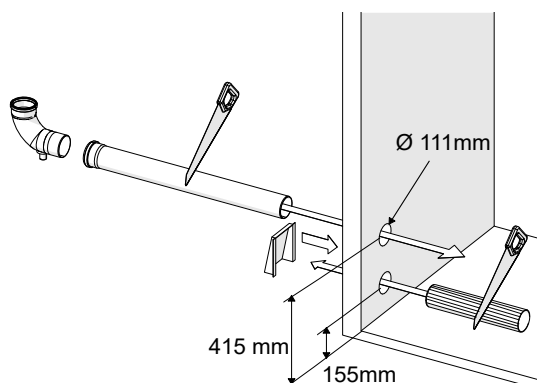
OBS!

Når du justerer den vannrette rørlengden, må du være oppmerksom på at røret skal gå 35 mm inn i avtrekkskoblingen på toalettet, og ta hensyn til dette i planleggingen av installasjonen.



OBS!

Vær oppmerksom på at hvis du installerer røret loddrett rett opp fra toalettet, må minimumsavstanden mellom veggen og toalettet være 280 mm.



OBS!

Det originale Cinderella-installasjonssettet inneholder fem 1015 mm rør til bruk i avtrekksinstallasjonen. Rørene leveres med rørmuffe og pakning for enkel montering. Når du installerer røret på ytterveggen, må du føre inn røret fra utsiden av veggen.

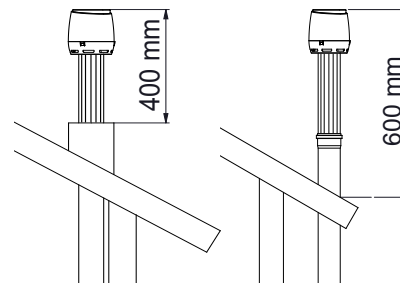


OBS!

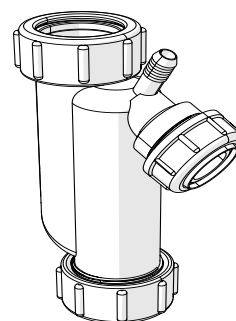
Avtrekkskoblingen på apparatet er utformet for tilkobling av 110 mm PP-kvalitetsrør med en indre diameter på minst 102 mm. Røret skal gå 35 mm inn i toalettets avtrekkskobling. Ikke bruk for mye kraft når du kobler til røret, det kan skade apparatet.

**OBS!**

- Røret skal alltid monteres loddrett over taket og strekke seg minst 600 mm over overflaten på taket. Hvis avtrekksrøret skal bygges inn (f.eks. i metallkledning), må du sørge for at enden av røret strekker seg minst 400 mm over kledningen.
- Hvis røret blir installert der det sannsynligvis vil samle seg snø, kan det være nødvendig å forlenge røret ytterligere og sikre det tilsvarende. Unngå å overstige maksimalt tillatt rørlengde.

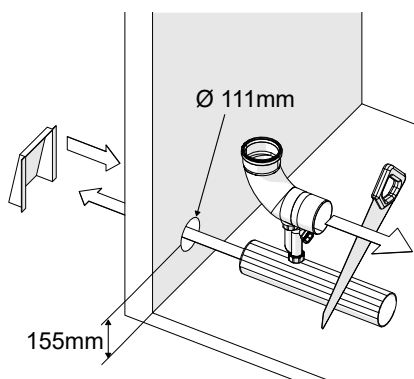
**OBS!**

Cinderella leverer en spesialkonstruert «vannlås» som passer på bendet som følger med i installasjonssettet, og som kan kjøpes som tilbehør hos alle Cinderella-forhandlere. Hvis installasjonen gjøres fra innsiden, må du koble vannlåsen til bendet for å hindre at kondens og regnvann renner ned på gulvet. Manglende oppsamling og tømning av kondensvann kan føre til skade på gulvet.

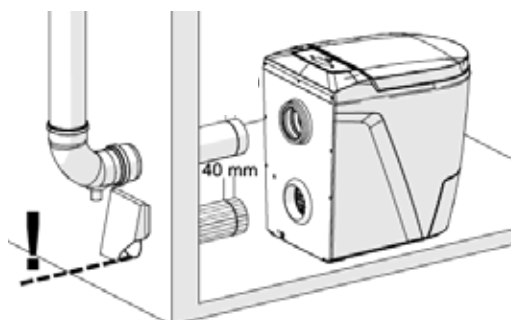
**2.4.4 INSTALLASJON AV DET VANNRETTE INNTAKSRØRET**

Det er viktig å sørge for at toalettet har tilstrekkelig tilførsel av frisk luft, og vi anbefaler derfor alltid å installere Cinderella Premium med anvist inntakslufttilkobling. Tilførsel av frisk uteluft inn i toalettet er avgjørende for kjøling, sirkulasjon og oksygentilførsel til forbrenningsprosessen. Hvis toalettet har begrenset tilgang på luft/oksygen, vil det oppstå dårlig forbrenning, redusert effektivitet og muligens overoppheting. Dårlig forbrenning over tid vil slite på produktet og gjøre garantien ugyldig.

YTRE DIAMETER INNTAKSRØR	HØYDE, MIDTEN AV INNTAKSRØR	INNTAKETS RETNING	MAKSIMUM RØRLENGDE
110 mm	155 mm	Vannrett	1000 mm

**OBS!**

- Senteret av inntaksluftkoblingen er 155 mm fra gulvet.
- Det originale Cinderella-installasjonssettet inneholder to 500 mm rør som skal brukes til inntaksluft og ventilasjon samt pipehattn. Tilpass lengden på inntaket etter installasjonen og vær oppmerksom på at røret skal gå 40 mm inn i inntakskoblingen på toalettet.

**OBS!**

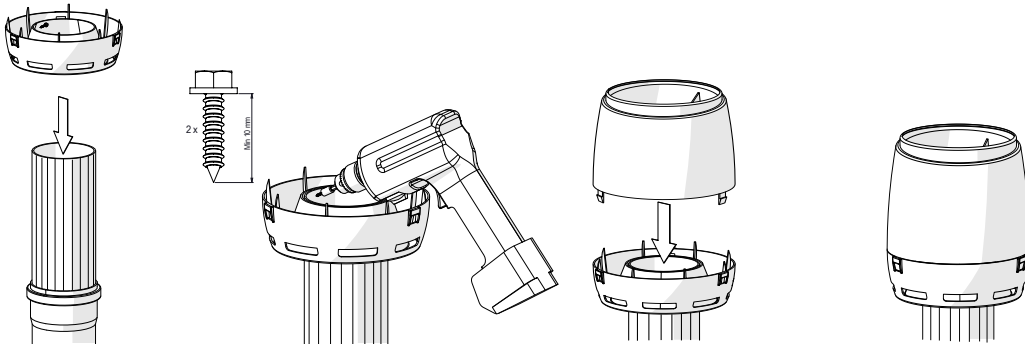
Ved montering av stormkappen på ytterveggen må du sørge for at undersiden av røret monteres i flukt med bunnen på stormkappen. Feilplassering vil føre til begrenset luftsirkulasjon og dårlig forbrenning, redusert effektivitet og mulig overoppheting av toalettet.

2.4.5 INSTALLASJON AV DEN ORIGINALE CINDERELLA-PIPEHATTEN



OBS!

Cinderella originalt installasjonssett inneholder en pipehatt som er konstruert for optimal flyt og økt produkteffektivitet. Hetten består av to deler, og den nedre delen kan festes til avtrekksrøret med rustfrie skruer eller lim for enkel tilkobling og demontering ved vedlikehold av røret. Bruk ett av rørene på 500 mm som er inkludert i Cinderella-installasjonssettet, som siste seksjon av avtrekksrøret, for å kunne montere pipehatten.



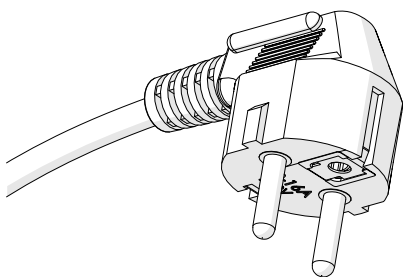
2.5 ELEKTRISKE SPESIFIKASJONER OG KRAV



ADVARSEL!

- Dette produktet må installeres i samsvar med nasjonale og lokale elforskrifter.
- Det må tilføres riktig spenning, frekvens og strømstyrke fra en egen, jordet krets som er beskyttet av en riktig dimensjonert automatsikring.
- Riktig spenning, frekvens og strømstyrke fremgår av denne håndboken og typeskiltet på baksiden av toalettet.

Strømkrav	SPENNING	STRØMSTYRKE	SIKRING
	220–240 VAC	9 A	10 A
Strømforbruk	HVILEMODUS		FORBRENNINGSMODUS
	0,5 W		2000 W
Tilkoblingspolaritet	KABELTVERRSNITT	KABELLENGDE	TYPE STØPSEL
	1,5 mm ²	2,3 m	Type F Schuko CEE 7



OBS!

Toalettet leveres med et 16 A, 250 V topolet støpSEL Type F Schuko CEE 7/7 med jording. For å kunne forsyne toalettet med tilstrekkelig strøm må den ha en egen jordet krets med minst 10 A tilgjengelig strøm ved 230 VAC.



FARE!

- Tilkoblingskabelen skal legges slik at den ikke kommer i kontakt med skarpe kanter.
- Endringer av den innvendige elektriske installasjonen eller tilkoblingskabelen må utføres av en faglært elektriker eller tilsvarende kvalifisert person for å unngå sikkerhetsrisiko.
- Det anbefales ikke å bruke vekselrettere med Cinderella-toaletter. Cinderella Premium har et maksimalt strømforbruk på 2000 W, som kan strekke seg over perioder som overstiger en time om gangen. En vekselretter med et «toppforbruk» på 2000 W kan være ute av stand til å opprettholde denne effekten og bli overbelastet, skadet eller utrygg hvis den brukes med Cinderella Premium.

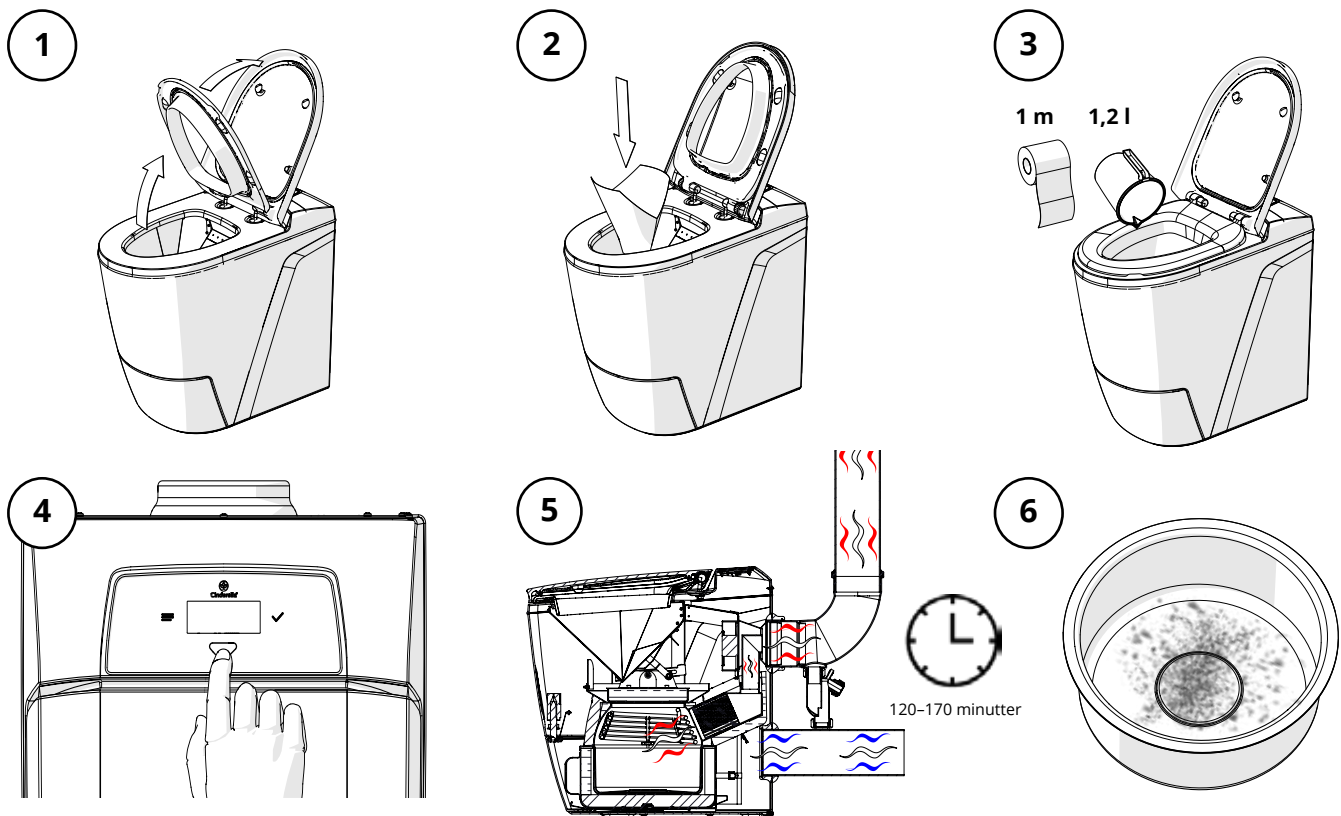
2.6 SJEKKLISTE FOR Å VERIFISERE KOMPLETT INSTALLASJON

SJEKKPUNKT	OK
Den tilkoblede spenningen er i samsvar med produktets typeskilt.	
Avtreksrørlengden er installert i henhold til produsentens spesifikasjoner.	
Toppen av avtreksrøret er ikke mindre enn 600 mm over overflaten på taket.	
En «vannlås» med trygg avtapping er installert der det er sannsynlig at det kan dannes kondens.	
Avtreksrør materialet er installert i henhold til produsentens spesifikasjoner.	
Pipehattn er installert i henhold til produsentens spesifikasjoner.	
Pipehatten er installert i henhold til produsentens spesifikasjoner.	

2.7 YTELSESTEST FOR Å VERIFISERE SYSTEMETS FUNKSJON

Plasser en papirpose i skålen og fyll den med 1 meter toalettpapir og 1,2 liter vann. Når startknappen trykkes inn, blir forbrenningssyklusen aktivert. Estimert tid for verifiseringstesten er 120 til 170 minutter. Den gule lampen lyser mens forbrenningen pågår, og hele testen skal gjennomføres uten feilindikasjoner eller systemavbrudd. Toalettet må kjøles ned til viften har stanset før askebeholderen kan tas ut. Avkjølingsfasen kan ta fra 60 til 90 minutter, avhengig av omgivelsestemperatur.

Sluttproduktet skal være bare fint, hvitt støv. Et sluttprodukt som avviker fra dette, eller en forbrenningstid på over 90 minutter, kan indikere en delvis blokkering av avtrekkskanalen eller mangel på oksygen. Kontroller at installasjonen er i samsvar med produsentens spesifikasjoner, som fremgår av kapittel 2 i denne håndboken.



ADVARSEL!

Askebeholderen blir veldig varm under forbrenning. Ikke fjern frontdekslet før toalettet er helt avkjølt, og viften har stanset.



OBS!

Ytelsestesten er utarbeidet for å utføres på toaletter som ikke har vært i bruk. Resultatene kan variere når testen utføres på brukte toaletter.

3. BRUK

3.1 BRUKSOMRÅDE OG HÅNDTERING

Cinderella Premium-toalettet er beregnet på innendørs montering og bruk i fritidshjem som hytter og fritidsboliger samt i uthus, naust, bassenghus og sanitærfasiliteter, for eksempel på byggeplasser. Toalettet er utelukkende konstruert for å forbrenne kroppslige avfallsprodukter og små sanitærartikler som toalettpapir, bind og alkoholfrie våtservietter. Bruk av Cinderella Premium til å brenne andre gjenstander anses som feil bruk og vil gjøre garantien ugyldig. **Ikke kast følgende gjenstander i toalettet:**

- For store mengder papir av noe slag
- Klorbaserte rengjøringsmidler
- Alkoholdige våtservietter
- Aviser
- Papirhåndklær
- Brannfarlige væsker/materialer
- Lightere
- Sigaretter eller sigarer
- Bensin
- Alkoholdige drikker eller brennevin
- Alkohol eller håndsprit
- Neglelakkfjerner
- Lighterbensin
- Lampeolje/parafin
- Spraybokser
- Flasker eller andre beholdere av plast eller glass

3.2 GENERELL SIKKERHET



FARE!

- Ikke bruk forbrenningstoalettet hvis det er synlig skadet.
- Hvis tilkoblingskabelen til toalettet er skadet, skal den skiftes ut av produsenten, kundeservice eller en tilsvarende kvalifisert person for å unngå sikkerhetsrisiko.
- Dette forbrenningstoalettet skal bare repareres av kvalifisert personell. Uautoriserte reparasjoner kan medføre betydelig fare eller skade på toalettet.
- Rengjøring og brukervedlikehold skal ikke utføres av barn uten tilsyn.
- Ikke bruk eksplosive stoffer eller brennbare rengjøringsmidler ved vedlikehold av toalettet.



FORSIKTIG!

- Toalettet er utelukkende konstruert for å forbrenne kroppslige avfallsprodukter og små sanitærartikler som tamponger, bind og alkoholfrie våtservietter.
- Små barn skal ikke bruke Cinderella forbrenningstoalletter uten tilsyn.

3.3 SIKKER DRIFT



ADVARSEL!

- Askebeholderen i toalettet blir veldig varm når toalettet er i bruk. Ikke tøm askebeholderen før toalettet er helt avkjølt.
- Setet har ingen myk lukkefunksjon, så pass på at hender og fingre ikke kommer i klem når setet lukkes.



FORSIKTIG!

Fare for dårlig forbrenning eller overoppheting!

- Legg alltid en ny papirpose i toalettskålen når du bruker toalettet.
- Sørg alltid for tilstrekkelig ventilasjon slik at varmen som genereres ved bruk kan slippe ut.

3.4 SIKKERHETSFUNKSJONER PÅ CINDERELLA PREMIUM

- Forbrenningsprosessen er deaktivert når toalettlokket er åpent. Forbrenningen starter ikke før setet og lokket lukkes.
- Luken til forbrenningskammeret KAN IKKE stå åpen mens toalettet fortsatt er varmt (f.eks. under rengjøring). Dette er bare mulig når toalettet er avkjølt og viften har stanset.
- Hvis det oppstår et ventilasjonsproblem og den innvendige temperaturen i toalettet øker til over 105 °C, blir forbrenningen avbrutt, og det vises en advarsel. I slike tilfeller må systemet tilbakestilles manuelt for å sikre at ventilasjonsproblemet er løst, før toalettet kan brukes igjen.

- Hvis askebeholderen er feil plassert etter tømning, starter ikke forbrenningen. En varsellampe tennes, og det vises en advarsel.
- Hvis forbrenningskammerets lukemekanisme kiler seg fast eller forhindres i å lukke seg ordentlig, vises det det en feilmelding, og forbrenningen starter ikke.
- Cinderella Premiums smarte programvare inneholder en «vakthund-funksjon» som overvåker temperaturen mens forbrenningen pågår. Dersom det registreres avvik fra det normale temperaturområdet, stanser forbrenningen umiddelbart, og det vises en advarsel.
- Hvis frontdekselet ikke er riktig montert, starter ikke forbrenningen, og en det vises en feilmelding og en feilkode.

3.5 VIKTIG INFORMASJON OM BRUK



OBS!

- Husk alltid å plassere en ny papirpose i toalettskålen før bruk – én papirpose per besøk.
- Toalettlokket skal alltid være lukket når toalettet ikke er i bruk. Forbrenningen vil ikke starte eller fortsette før lokket er lukket.
- Forbrenningssyklusen kan ta opptil 180 minutter fra det siste besøket.
- Viften fortsetter å gå til forbrenningen er fullført, og den innvendige temperaturen i toalettet er tilbake i normalområdet. Avkjølingsfasen kan overstige 120 minutter etter at forbrenningen er fullført, avhengig av temperaturen på kjøleluften.
- Cinderella-toalettet kan brukes når som helst under forbrennings- og kjøleprosessene. Forbrenningen avbrytes under bruk. Husk å lukke lokket og trykke på startknappen etter hvert besøk.



Kapasitet: 4 besøk i timen

Cinderella Premium-toalettet er designet for å håndtere opptil fire besøk i timen. Hyppigere besøk frarådes for å unngå overbelastning. Overbelastning av toalettet med mange besøk i løpet av kort tid uten å fullføre en forbrenningssyklus, kan føre til lukt og lekkasje, og kan skade toalettet.



Tøm

Tømmehyppighet

Systemets avfallsbeholder har en væskekapasitet på fem liter. Askebeholderen bør tømmes ofte (én gang i uken) for best mulig funksjon. Dette sikrer en mer effektiv forbrenning og bidrar til å holde katalysatoren renere.

Hvis askebeholderen ikke har blitt tatt ut (ved ukentlige tømmerutiner), viser Cinderella Premium en melding om å tømme beholderen etter 70 forbrenningssykluser. Hvis toalettet ikke tømmes etter 90 besøk, låser det seg for ytterligere besøk. Vi anbefaler å tømme toalettet så ofte som mulig, for å sikre en mer effektiv forbrenning og mindre slitasje på produktet. Hvis du ikke tømmer askebeholderen når den er full, kan det føre til skade på toalettet og gjøre garantien ugyldig.



Lang periode

Klargjøring av toalettet for en lengre periode uten bruk

Ved lengre perioder uten bruk eller fare for lynnedslag bør støpselet kobles fra stikkontakten for å beskytte toalettet mot skade. OBS! Avfallet må forbrennes, og den gule lampen må være slukket, før støpselet kobles fra. Uforbrent avfall som blir liggende i toalettet over tid, kan forårsake betydelig skade. Toalettet skal oppbevares tørt. For å redusere ytre påvirkninger i form av temperatursvingninger og fuktighet kan det være klokt å koble toalettet fra rørene før lengre perioder uten bruk. Husk å installere toalettet på nytt før bruk.



Korte perioder med økt bruk

Følg disse rådene i situasjoner der et uvanlig høyt antall gjester kommer til å bruke toalettet i løpet av en kort periode:

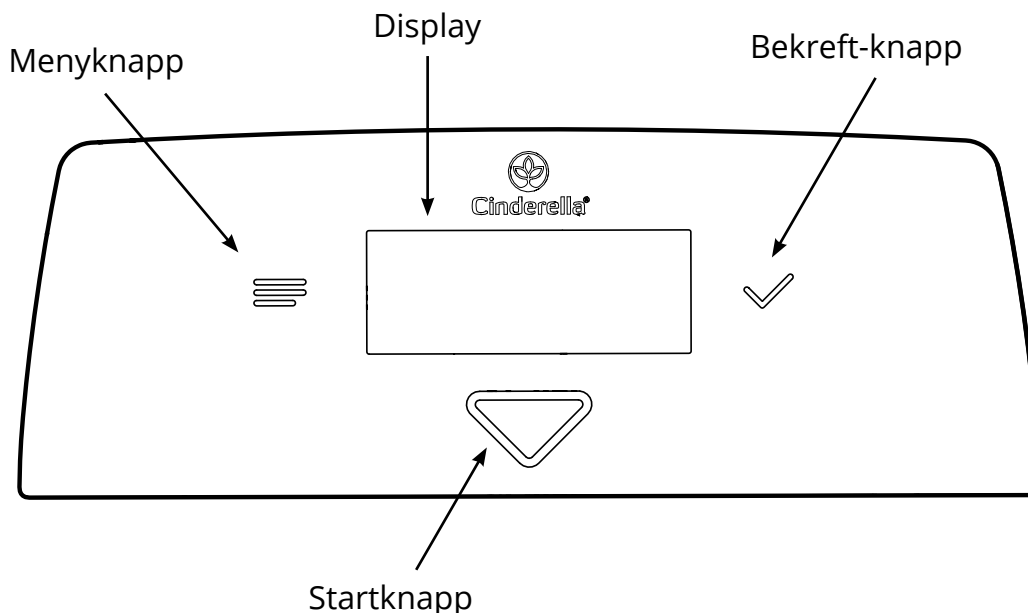
1. Tøm askebeholderen fullstendig før gjestene ankommer.
2. Forvarm toalettet før bruk ved å åpne og lukke lokket og deretter trykke på startknappen.
3. Forsikre deg om at gjestene blir instruert om å bruke en papirpose og trykke på startknappen etter hvert besøk.
4. Sjekk regelmessig for å forsikre deg om at toalettlokket er lukket, og at den gule forbrenningslampen fortsatt lyser.
5. Det kan hende du må kjøre en ekstra forbrenningssyklus eller to før du tømmer askebeholderen, for å sikre at avfallet er fullstendig forbrent.
6. Hvis den økte bruken varer over flere dager, må askebeholderen tømmes ofte, rundt annenhver dag.

3.6 BETJENING AV TOALETET

Cinderella Premium har en mer avansert programvare enn tidligere toaletter, samt flere funksjoner. Betjeningspanelet og displayet brukes til å navigere i menyene for alle funksjonene og innstillingene til apparatet.

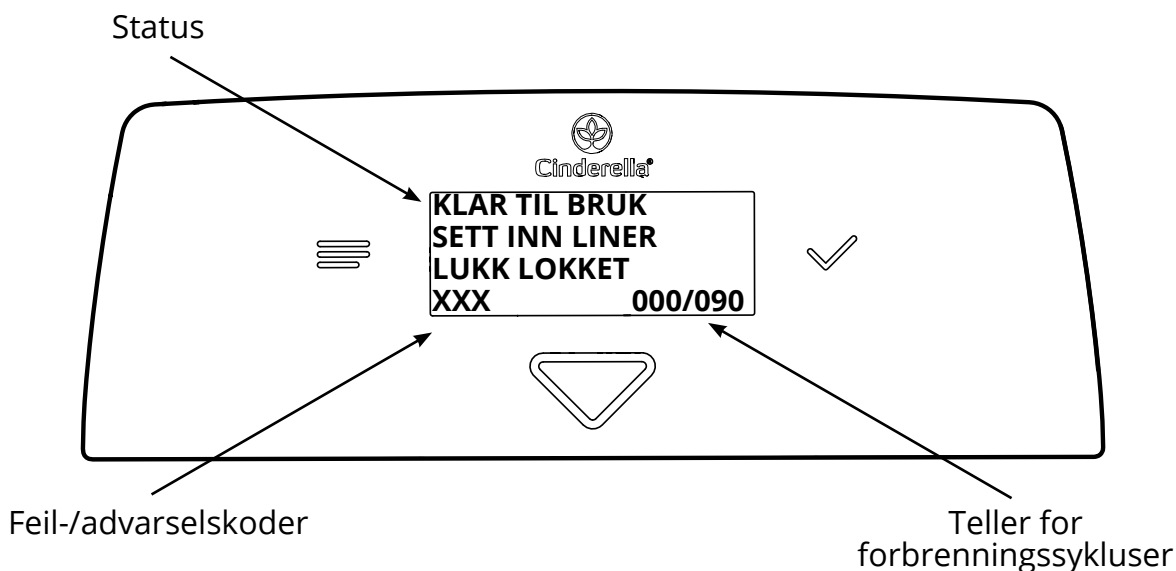
3.6.1 BETJENINGSPANELET

Betjeningspanelet er utstyrt med en menyknapp, en bekreft-knapp og en startknapp samt et display for å gi en best mulig brukeropplevelse. Displayet informerer brukeren om statusen til systemet og gjør det lettere å navigere i menyene til programvaren.



3.6.2 STARTSIDEN

Startsiden er hovedsiden som vises på displayet. Den gir informasjon om toalettets status og viser eventuelle advarsels- eller feilkoder samt en teller for forbrenningssykluser siden forrige tømning.



Teller for forbrenningssykluser / tømmeindikator

Cinderella Premium viser antall toalettbesøk siden forrige tømning nederst til høyre på displayet. Du får advarsler når du nærmer deg grensen for antall besøk uten tømning, og til slutt låser toalettet seg fullstendig til asken er tømt.

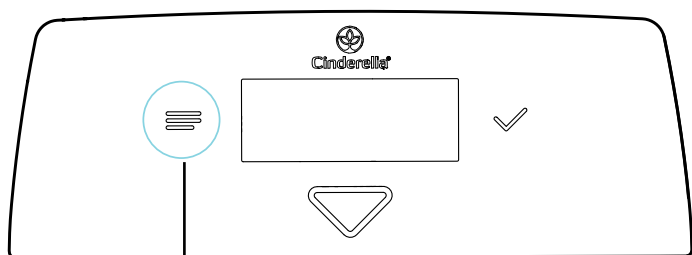


OBS!

Askebeholderen er vanligvis bare halvfull når det vises en melding om å tømme beholderen, men du bør tømme den likevel, siden det forbedrer forbrenningseffekten.

3.6.3 NAVIGERING I MENYENE

Trykk på den bakgrunnsbelyste menyknappen for å åpne hovedmenyen. Her kan du velge undermeny ved å holde menyknappen inne til den menyen du ønsker å åpne, er uthevet, og deretter trykke på bekreft-knappen.



Hovedmeny	Undermeny
Vedlikehold	Tøm aske
	Rengjør toalett
	Damprengjøring
	Frigjør luke
	Tilbakestill toalett
	Oppgraderingsmodus
Informasjon	CPU ID
	Versjonsopplysninger
	Vis feilmelding
Språk	English
	Norsk
	Svenska
	[...]
Statistikk	Antall forbrenninger

Velge språk

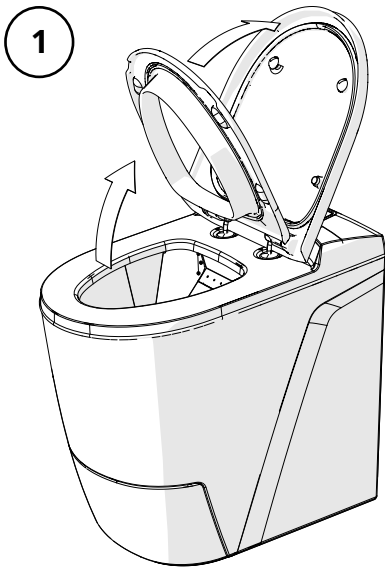
Hvis språket på displayet av en eller annen grunn er endret og du ikke kan lese menyene, går du til det tredje elementet i hovedmenyen og trykker på bekreft-knappen. I neste liste trykker du på menyknappen til språket ditt er uthevet. Trykk på bekreft-knappen igjen.



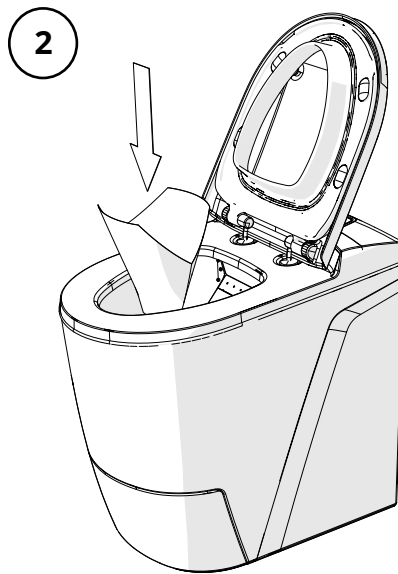
OBS!

Naviger til «[avslutt]» på bunnen av listen og trykk på bekreft-knappen for å gå tilbake til startsidene. Apparatet går også tilbake til startsidene automatisk etter 60 sekunder.

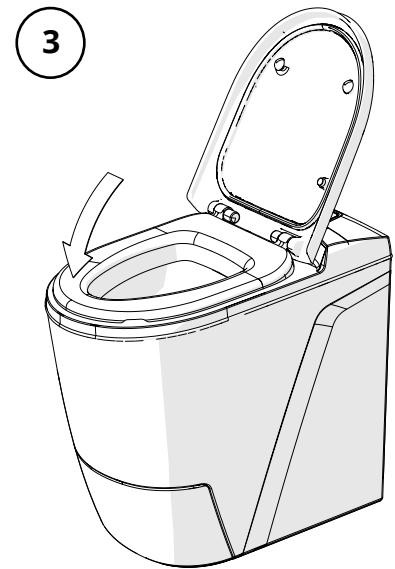
3.7 BRUK AV CINDERELLA PREMIUM -TOALETET



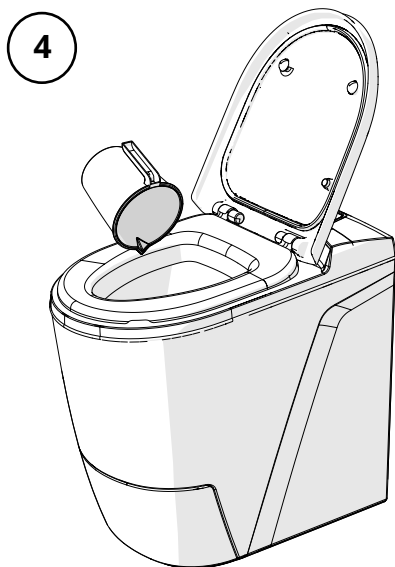
1. Løft toalettlokket og setet. Viften starter.



2. Plasser en papirpose i skålen. Bruk en ny papirpose for hvert besøk.



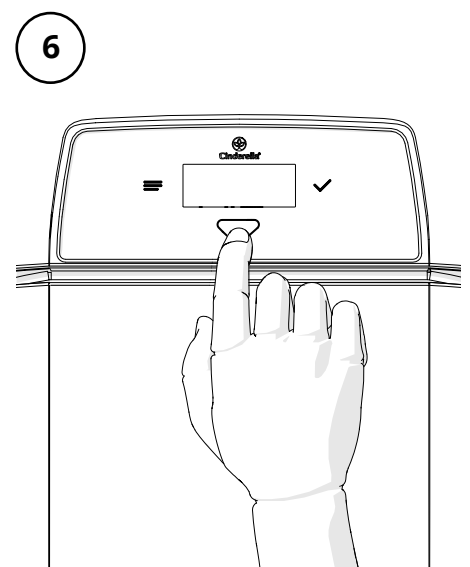
3. Senk setet. Toalettet er klart til bruk.



4. Bruk toalettet som vanlig. Hvis det produseres lite avfall, kan det være nyttig å helle litt vann i skålen for å øke vekten.



5. Lukk toalettlokket.



6. Trykk på startknappen for å slippe papirposen og innholdet ned i forbrenningskammeret. Forbrenningen starter så snart luken lukkes. Nå er toalettet klart til neste bruker.

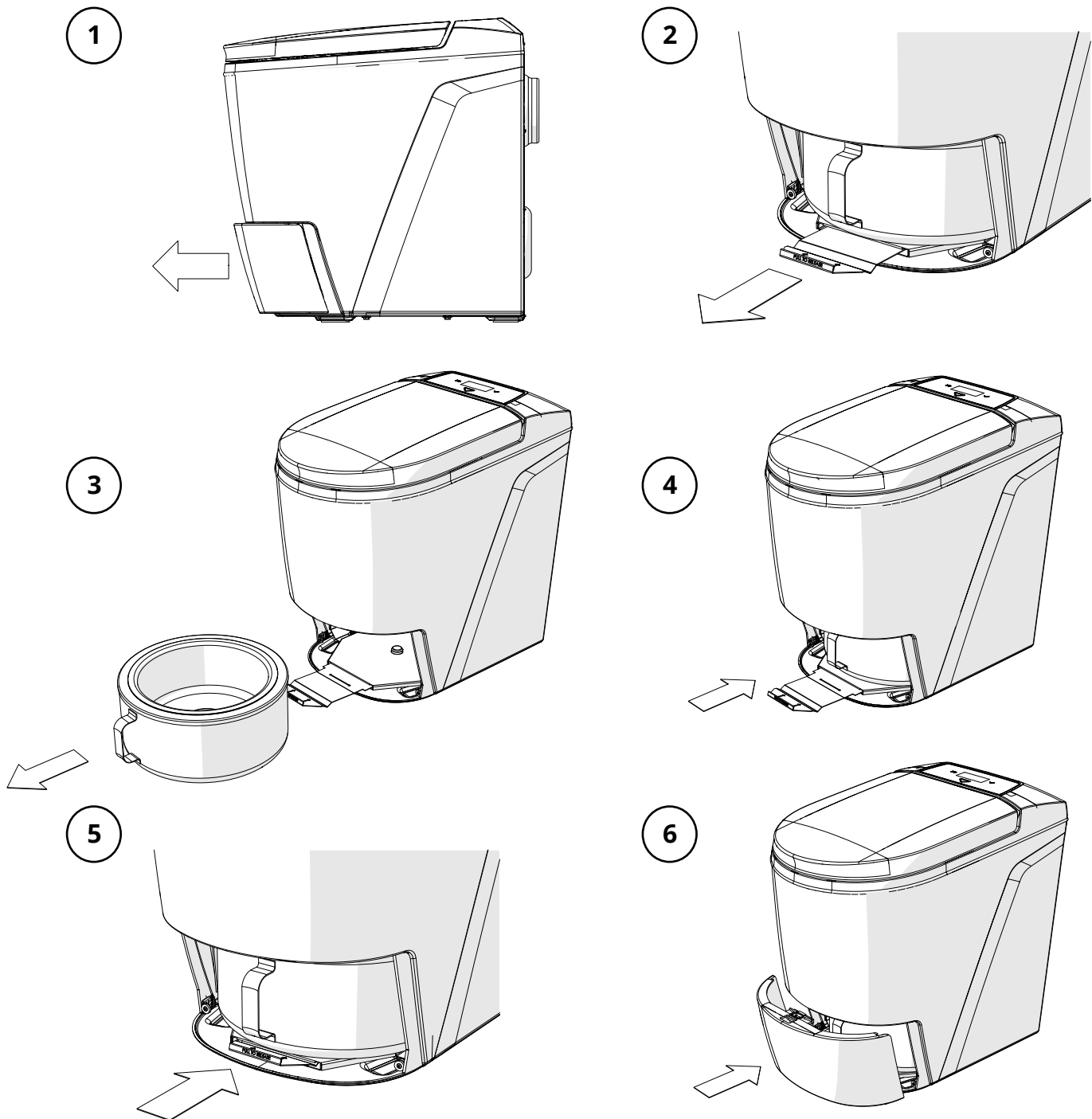


OBS!

Når du plasser en papirpose i skålen, må du passe på å trykke posen helt ned i skålen for å unngå at den revner under bruk.

3.8 BETJENING AV FRONTDEKSELET OG ASKEBEHOLDEREN

Frontdekselet kan fjernes ved hjelp av betjeningspanelet. Gå til undermenyen «Vedlikehold» og velg alternativet «Tøm aske» for å fjerne dekkelet. Den tynne metallbiten med teksten «Pull to release» (trekk for å løse ut) frigjør askebeholderen når den trekkes ut, og låser beholderen på plass når den skyves inn.



OBS!

- Se kapitlet om vedlikehold for instruksjoner om rengjøring og tømning av askebeholderen.
- Frontdekselet åpnes ikke hvis temperaturen inne i apparatet er for høy. Hvis dekkelet ikke åpner seg, må du vente til toalettet har avkjølt seg.
- Du finner instruksjoner om bruk av betjeningspanelet og menyene i avsnitt 3.6.

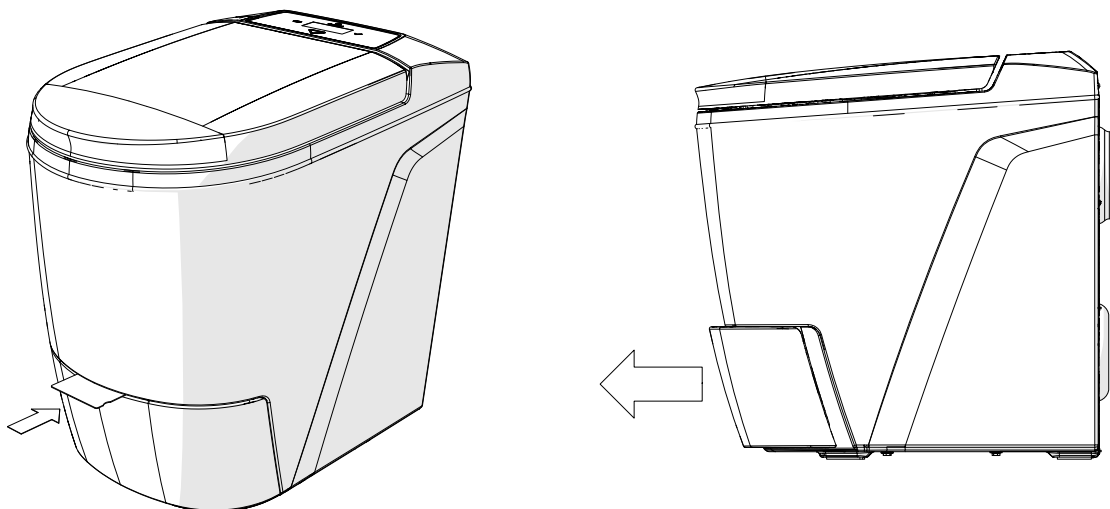


ADVARSEL!

- Askebeholderen i toalettet blir veldig varm når toalettet er i bruk.
- Ikke prøv å tømme askebeholderen før toalettet er helt avkjølt.

3.8.1 MANUELL ÅPNING AV FRONTDEKSELET

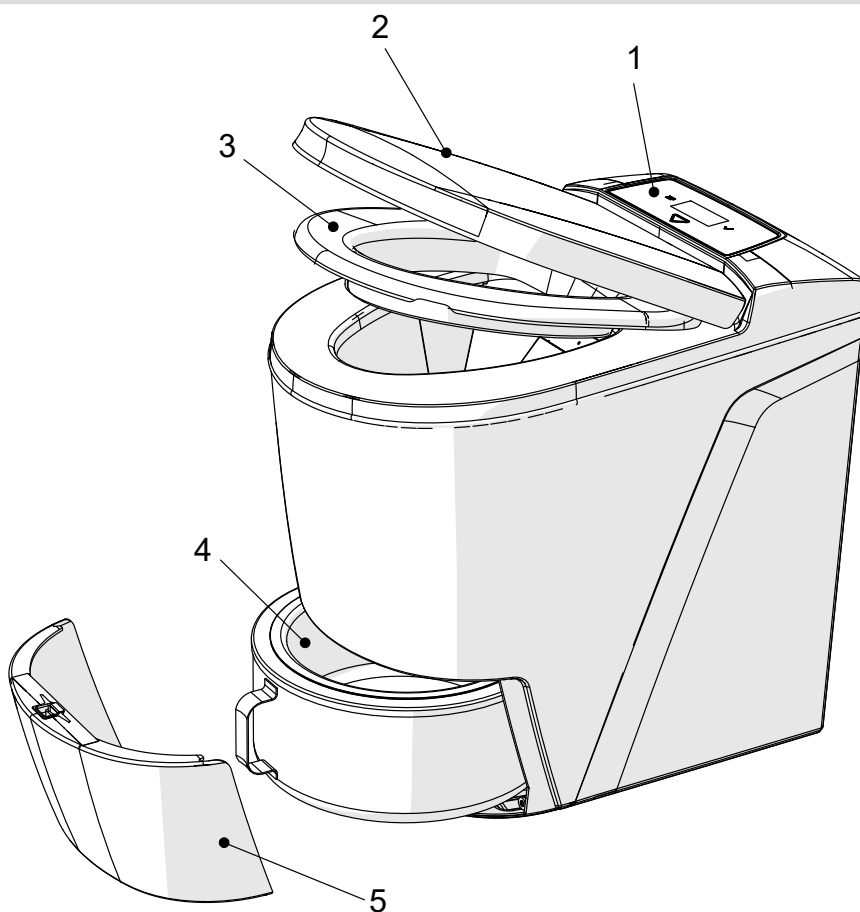
Hvis det av en eller annen grunn ikke er mulig å frigjøre frontdekselet ved hjelp av betjeningspanelet, kan dekselet åpnes manuelt ved å plassere en tynn, stiv gjenstand mellom dekselet og toalettskallet ved senterlinjen. Et kredittkort fungerer bra.



ADVARSEL!

Det er mulig å overstyre systemet og frigjøre frontdekselet mens den innvendige temperaturen er over sikkerhetsgrensen, men vær forsiktig. Du risikerer brannskader hvis du berører varme overflater.

3.9 APPARATETS BESTANDDELER



ID	DELEBESKRIVELSE
1	Betjeningspanel med display
2	Lokk
3	Sete
4	Askebeholder med innsats
5	Frontdekselet

4. GENERELLE VEDLIKEHOLDSINSTRUKSER

Et velfungerende luftsirkulasjonssystem er avgjørende for at toalettet skal fungere riktig. Partikler som oppstår under forbrenningsprosessen, kan tette katalysatoren og avtrekksrøret over tid. Det er viktig å vedlikeholde disse delene regelmessig for å sikre riktig funksjon.

For å sikre optimal drift og forlenge levetiden til Cinderella Premium-toalettet må du sette av litt tid til forebyggende vedlikehold. Gode vedlikeholdsrutiner gir lavere driftskostnader og mindre slitasje på produktet. Vi anbefaler på det sterkeste å utføre regelmessig vedlikehold som følger:

1. Tøm toalettet ofte. Ikke baser bruken på maksimumsgrensen for produktet.
2. Rengjør alltid askebeholderen og innsatsen etter tømming (se avsnitt 4.2.1).
3. Rengjør alltid med damp mellom hver eske med papirposer (500 besøk), og helst etter hver tømming og vask av askebeholderen (se avsnitt 4.2.2).
4. Vær alltid oppmerksom på forbrenningsrestenes egenskaper når du tømmer toalettet. Avvikende egenskaper kan tyde på behov for vedlikehold eller service (se avsnitt 4.1).

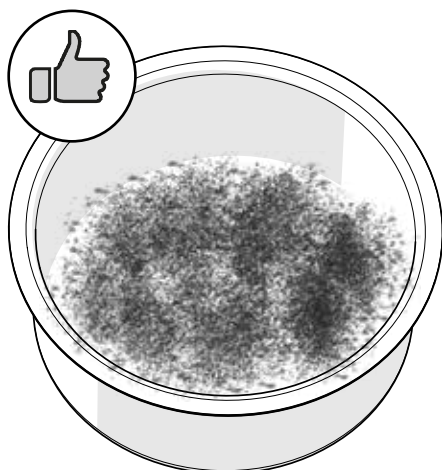


ADVARSEL!

Forsikre deg alltid om at toalettet er tilstrekkelig avkjølt og ikke i forbrenningsmodus, før du utfører vedlikehold.

4.1 FORBRENNINGSRESTENES EGENSKAPER

Restavfallet (asken) består av biologiske rester, salter og mineraler, og vil derfor ofte fremstå som hardt og krystallisert. Det skal ikke være synlige rester av papir eller flak med uforbrent avfall. Asken skal være en kombinasjon av hvit og mørkegrå. Hvis det er større forekomster av uforbrent svart avfall, fuktighet eller papir ved tømming av toalettet, skal du starte en ny forbrenning uten å ha i papir eller vann. Når forbrenningen er fullført, tømmer du askebeholderen og utfører vedlikeholdsprosedyrene som angitt i denne håndboken.

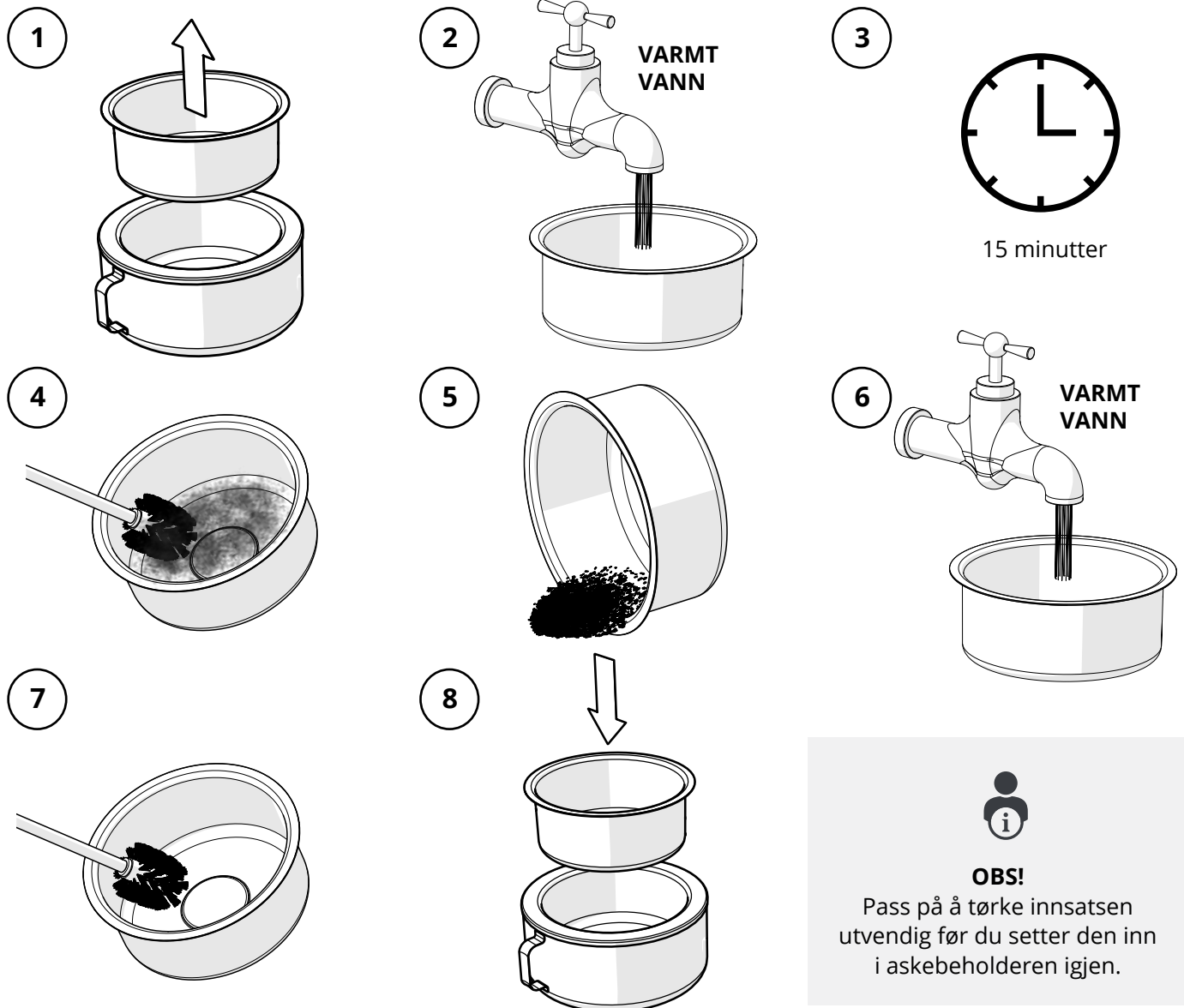


OBS!

Askerestene er sterile og inneholder ikke bakterier eller smittestoffer. Askerester anbefales sortert som restavfall. Vær oppmerksom på at restriksjoner kan gjelde i enkelte land, så gjør deg kjent med og følg regelverket i det landet du befinner deg i.

4.2 VEDLIKEHOLD

4.2.1 TØMMING OG RENGJØRING AV ASKEBEHOLDEREN



FORSIKTIG!

Ikke bruk skarpe redskaper eller gjenstander når du rengjør askebeholderinnsatsen. Det vil skade innsatsen og redusere levetiden dens.



OBS!

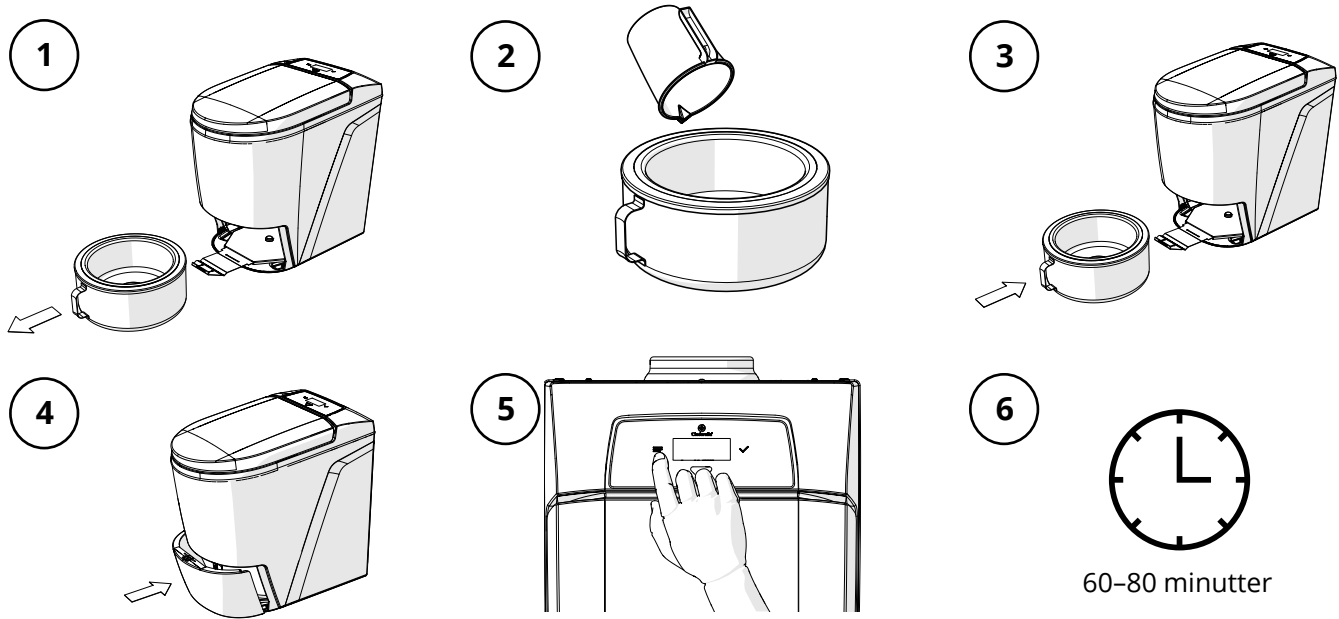
- For at toalettet skal fortsette å fungere best mulig, anbefaler vi å rengjøre med damp som beskrevet i avsnitt 4.2.2, hver gang du tømmer og vasker innsatsen. Det forhindrer avsetning av tjære og andre uønskede avleiringer i katalysatoren og toalettets utløpssystem.
- Forsikre deg om at toalettet er tilkoblet strøm ved tømning. Uten strømtilførsel kan ikke systemet tilbakestille brukstilleren etter tømning.
- Det er bedre å tømme askeskuffen ofte for bedre forebrenningsytelse.

4.2.2 DAMPRENGJØRING AV KATALYSATOREN

Anbefalt hyppighet: ved tømning av askebeholderen.

1. Forsikre deg om at toalettet er kaldt, og at askebeholderen er tømt og rengjort (se avsnitt 4.2.1).
2. Ta av frontdekselet og frigjør askebeholderen.
3. Hell cirka én liter rent vann i toalettinnsatsen.
4. Sett inn askebeholderen forsiktig uten å søle vann og sett frontdekselet på plass.

- Gå til undermenyen «Vedlikehold» og velg «Damprengjøring».
- Vannet begynner å koke, og dampen vasker bort eventuelt rusk i katalysatoren. Denne systemrengjøringen tar normalt 60 til 80 minutter.



OBS!

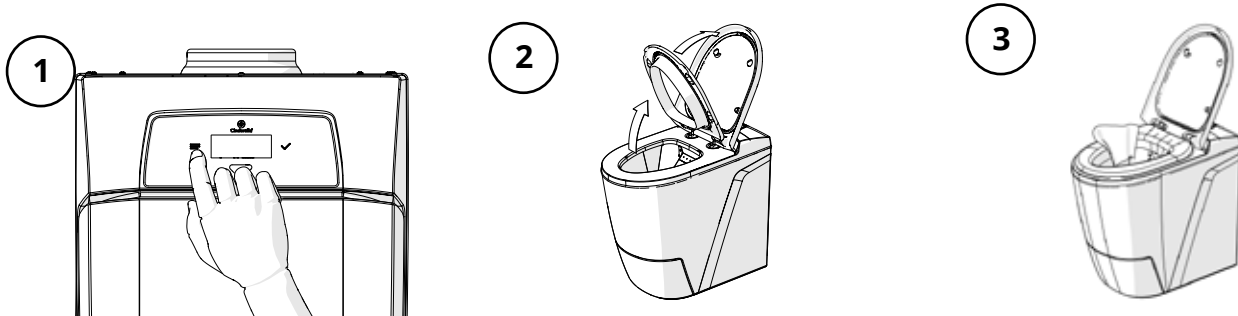
Ikke bruk toalettet under vedlikehold, det vil redusere rengjøringens funksjon. Toalettet kan brukes når toalettet går tilbake til hvilemodus igjen.

4.2.3 RENGJØRING AV SKÅLEN

Anbefalt hyppighet: ved behov av hensyn til renslighet og ved tømning av askebeholderen.

Slik rengjør du skålen:

- Gå til undermenyen «Vedlikehold» og velg «Rengjør toalett» (se avsnitt 3.6.3).
- Åpne setet og lokket.
- Bruk fuktig papir, vann og et mildt rengjøringsmiddel etter behov. Slipp papiret i skålen og lukk lokket.



FARE!

- Ikke bruk brennbare rengjøringsmidler til å rengjøre skålen.
- Noen metallkanter kan være skarpe.
- Toalettet må være avkjølt og i hvilemodus før du rengjør skålen.



ADVARSEL!

Det er bare lokket som har myk lukkefunksjon, så vær forsiktig så du ikke skader hendene.



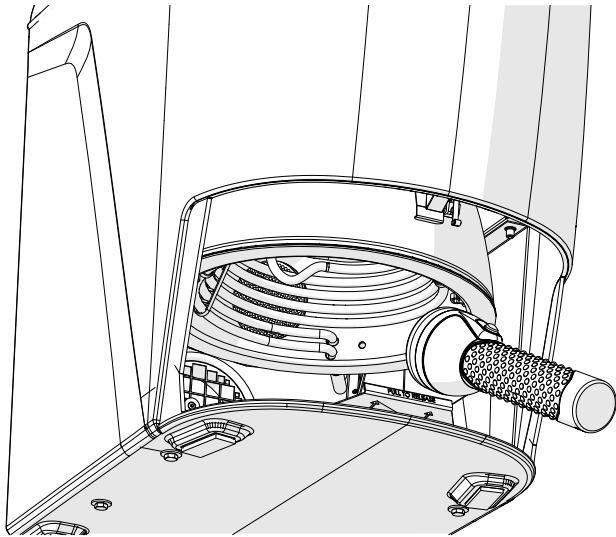
FORSIKTIG!

Ikke bruk klorbaserte rengjøringsmidler til å rengjøre skålen. Klor er svært skadelig for katalysatoren, og hvis det has i toalettet, kan det føre til at katalysatoren slutter å fungere som den skal.

4.2.4 INSPEKSJON AV KATALYSATOREN

Anbefalt hyppighet: etter 500 gangers bruk.

Katalysatoren er den primære luftkanalen mellom forbrenningskammeret og avtrekkskoblingen på toalettet. Eventuelle ansamlinger av partikler i katalysatoren vil redusere strømningshastigheten og toalettets effektivitet, og kan føre til vond lukt. Derfor er det viktig å sørge for at katalysatoren alltid er åpen. Eventuelle endringer i forbrenningstid, forbrenningseffektivitet eller lukt kan skyldes at katalysatoren er tett. Damprengjøring, som beskrevet i avsnitt 4.2.2, er den beste og enkleste måten å rengjøre katalysatoren på. Du kan også inspisere fronten på katalysatoren ved å ta ut askebeholderen og lyse opp forbrenningskammeret fra innsiden. Eventuelle gjenværende partikler eller lukt etter damprengjøring må fjernes ved å skylle katalysatoren med varmt vann som beskrevet i avsnitt 4.2.6.



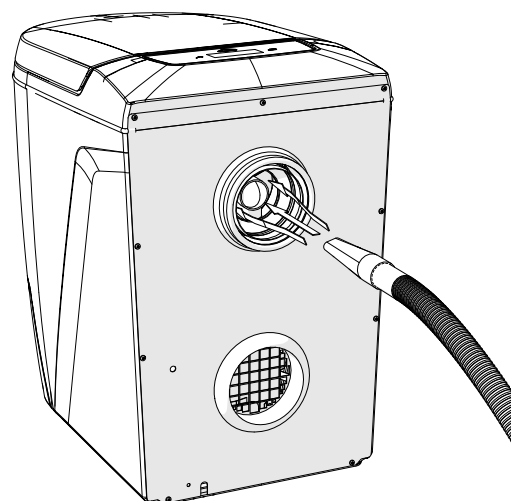
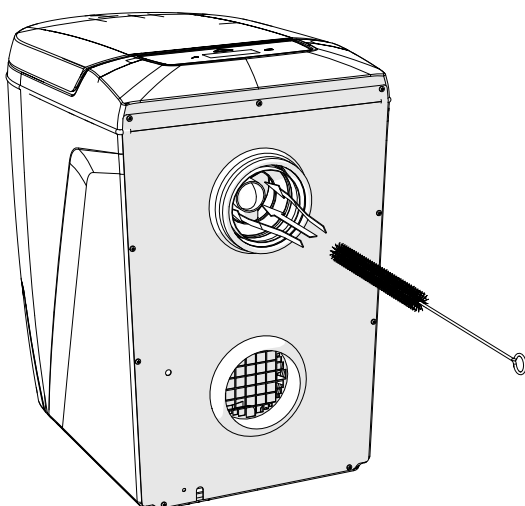
OBS!

Ved tydelige tegn på korrosjon eller deformasjon må katalysatoren byttes. Kontakt den lokale serviceleverandøren for å avtale service.

4.2.5 RENGJØRING AV TOALETETS AVTREKSKOBLING

Anbefalt hyppighet: senest etter 500 gangers bruk.

1. Toalettet må kobles fra avtrekksrøret og strømkilden.
2. Rengjør avtrekkskoblingen med en fleksibel børste. Det er viktig å rengjøre både avtrekkskoblingen og venturirøret helt tilbake til viftebladene for å få tilstrekkelig luftstrøm.
3. Ta ut askebeholderen og fjern eventuelt rusk i beholderen.
4. Bruk en støvsuger til å suge ut gjenværende rusk fra avtrekkskoblingen og katalysatoren.
5. Koble toalettet til avtrekksrøret og strømforsyningen igjen.
6. Installer askebeholderen og frontdekselet.
7. Vi anbefaler at du utfører en damprengjøring som beskrevet i avsnitt 4.2.2, etter at du har vedlikeholdt avtrekkskoblingen.

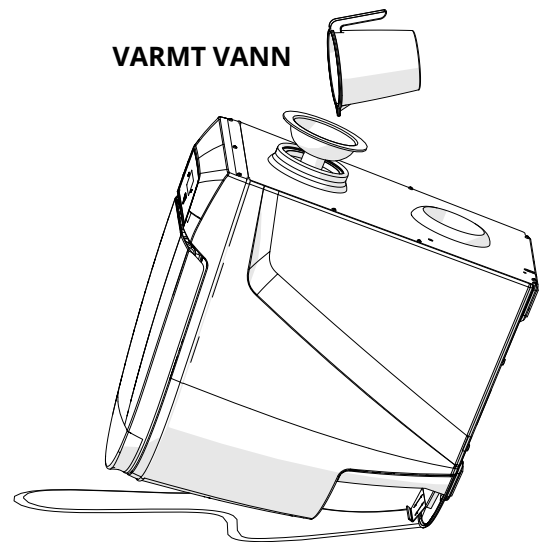


4.2.6 SKYLING AV KATALYSATOREN MED VARMT VANN

Anbefalt hyppighet: en gang i året eller senest etter 500 gangers bruk.

I tilfeller der damprengjøring ikke fjerner partikler eller vond lukt, kan det være nødvendig å skylle katalysatoren med vann. Dette medfører tunge løft og må gjøres et sted der vannsøl er uproblematisk. Følg trinn 1 til 4 under avsnitt 4.2.5 «Rengjøring av toalettets avtrekkskobling», og deretter følgende trinn:

1. Plasser toalettet et sted der det er greit å søle vann, for eksempel i et rom med egnet avløp, ute eller i et badekar. Bruk den spesialkonstruerte Cinderella-trakten eller en trakt som passer i avtrekkskoblingen. Vipp toalettet fremover og hell to til tre liter varmt vann gjennom avtrekkskoblingen og katalysatoren. Det overskytende vannet skal være rent ved slutten av skylleprosessen. Bruk om nødvendig mer vann for å rengjøre systemet ordentlig.
2. Gjenta trinn 1 fire til fem ganger til vannet er rent og du ikke finner noen krystaller eller andre hindringer når du inspiserer katalysatoren (se avsnitt 4.2.4). Trinn 1 skal gjentas 4-5 ganger selv om vannet er klart før.
3. Koble toalettet til avtrekksrøret og strømforsyningen igjen.
4. Installer askebeholderen og frontdekselet.
5. Utfør ytelsestesten som beskrevet i avsnitt 2.8.



OBS!

Inspiser katalysatoren og utfør damprengjøring som beskrevet i avsnitt 4.2.2, før du kobler fra toalettet og skyller systemet med varmt vann. Hvis katalysatoren fortsatt er tett, eller hvis det fremdeles er merkbar lukt ved forbrenning, bør du skylle katalysatoren som beskrevet ovenfor.



FORSIKTIG!

Forsiden av det ytre skallet er tynt og bør derfor ikke bære hele vekten av toalettet. Vær forsiktig når du vipper toalettet, og pass på at det er plassert i en posisjon som gjør at toalettsskallet er beskyttet. Det anbefales å være to om denne oppgaven, slik at den ene kan holde toalettet mens den andre skyller katalysatoren.

5. FEILSØKING OG SVAR PÅ VANLIGE SPØRSMÅL



ADVARSEL!

Service skal utføres i samsvar med alle gjeldende nasjonale og lokale forskrifter. Hvis du er usikker på hvilke regler som gjelder, kontakt nærmeste forhandler eller servicerepresentant for mer informasjon. Strømtilførselen skal kobles fra når du utfører service og vedlikehold på toalettet.

Feilsøkningsmodul på nettet

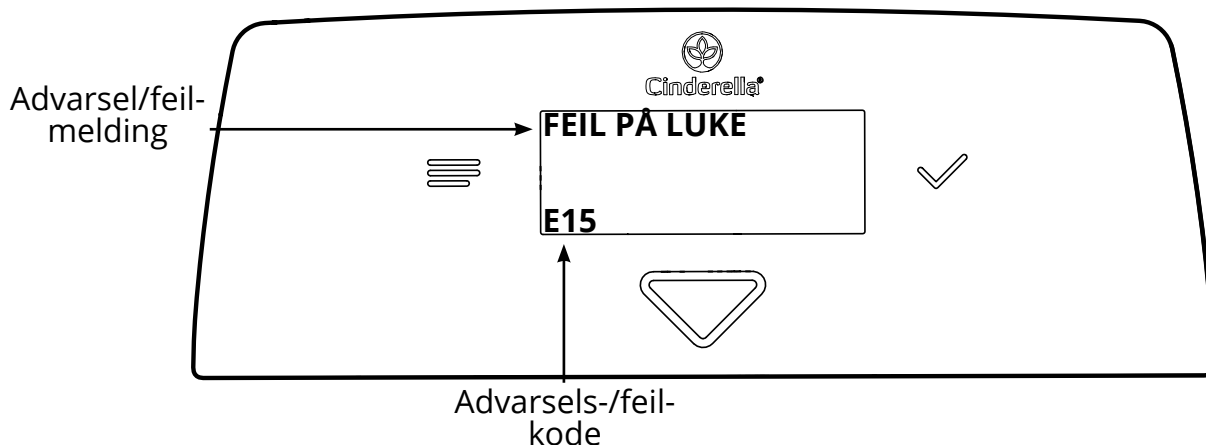
Hvis det oppstår problemer med toalettet under drift, vises det en advarsels- eller feilkode som beskrevet under «Advarsels- og feilkoder» på neste side. Vi har samlet de vanligste feilene/problemene i en feilsøkningsmodul på nettet, så det er lett å få svar på hva som feiler toalettet, og forslag til hvordan du selv kan løse problemet.

Tilbakestille toalettssystemet

Under rengjøring og feilsøking kan det noen ganger være nyttig å tilbakestille elektronikken. Det gjør du ved å trykke på menyknappen, velge undermenyen «Vedlikehold» og deretter alternativet «Tilbakestill toalett».

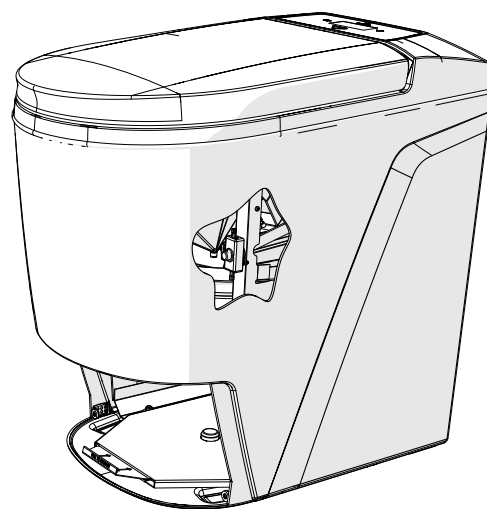
Advarsler og feilmeldinger

Når det vises en advarsel eller feilmelding, bør du undersøke og løse problemet før du bruker toalettet. I tilfelle uregelmessigheter som lukt, dårlig forbrenning eller systemfeil, må du handle umiddelbart for å unngå skade på toalettet og unødvendige reparasjonskostnader.



Utløst bimetaltermostat

Bimetaltermostaten utløses hvis den innvendige temperaturen i toalettet blir for høy. Dette skjer normalt på grunn av manglende luftgjennomstrømning eller delvis blokkering av luftinntaks- eller avtrekksdelen av installasjonen. Derfor er det viktig at du sjekker at luftinntaket er i henhold til spesifikasjonene, og at avtrekksrøret er åpent og fritt for fremmedlegemer. Kontroller katalysatoren visuelt og utfør prosedyren for damprengjøring som anvist i avsnitt 4.2.2. For å tilbake stille bimetaltermostaten fjerner du askebeholderen, strekker hånden opp langs høyre side av toalettet og trykker på knappen på termostaten, som er plassert på rammen (se illustrasjonen).



Ved strømbrudd

Hvis strømmen går under en forbrenningsprosess, kan det midlertidig oppstå lukt fra innsiden av toalettet og røyk og lukt fra avtrekksrøret utenfor. Viften går på batteri til toalettet er avkjølt. Siden forbrenningen ikke gjenopptas automatisk når strømmen kommer tilbake, må du starte en ny forbrenningsyklus manuelt. Dersom strømbruddet forventes å vare i mer enn to timer, må du tømme eventuelt avfall fra toalettet, siden toalettet kan ta skade dersom avfallet blir liggende over lengre tid. Bruk aldri toalettet under strømbrudd.

Lukt i rommet

Lukt kan ha flere årsaker:

1. Det er ikke plassert en ny papirpose i skålen etter at toalettet har vært brukt, eller papirposen er plassert feil.
2. Luftstrømmen kan være blokkert. Kontroller avtrekksrøret og hetten.
3. Kontroller at installasjonen er utført i henhold til håndboken. Begrenset trekk i avtrekksrøret kan forårsake mottrykk og lukt i rommet.
4. Avtrekksrøret eller avtrekkskoblingen kan være tilstoppet. Se avsnitt 4.2.5.
5. Katalysatoren kan være tilstoppet. Se avsnitt 4.2.6.
6. Avtrekksrøret er ikke skikkelig festet til toalettet. Se avsnitt 2.5.1.

Lukt utendørs

Årsakene kan være de samme som for lukt inne i rommet, eller:

1. Katalysatoren har ikke nådd driftstemperaturen. Når toalettet er kaldt, kan det ta noen minutter før katalysatoren når den temperaturen der den begynner å fungere ordentlig.
2. Katalysatoren kan være korrodert eller deformert. Kontakt serviceleverandør.

Spenningsvingninger

Hvis apparatet blir utsatt for spenningsvingninger – for eksempel under tordenvær – blir det automatisk tilbakestilt, og en ny forbrenning må startes manuelt.

5.1 FEILSØKINGSTABELL



OBS!

Cinderella har utviklet en digital feilsøkningsmodul som ligger ute på nettstedet vårt. Modulen fungerer som en veiledning og et supplement til feilsøkingstabellen. Besøk oss på www.cinderellaeco.com

INFORMASJON	NØDVENDIG TILTAK
Kunne ikke utføre handlingen.	Apparatet kjører et program og kan derfor ikke starte et annet. Hvis for eksempel damprengjøring pågår, kan du ikke tømme aske samtidig.
Toalettet er for varmt.	Handlingen du ønsker å utføre, kan ikke utføres fordi toalettet er for varmt. Vent til det har kjølt seg ned og prøv igjen.
Må tømme aske før damping.	Askebeholderen må tømmes før du kjører damprengjøring. Tøm asken og prøv igjen.

KODE	ADVARSEL	NØDVENDIG TILTAK
W10	70 eller flere besøk siden forrige gang aske ble tømt.	Vurder å tømme askebeholderen.
W11	90 eller flere besøk siden forrige gang aske ble tømt.	Tøm askebeholderen.
W12	Frontdekselet er åpent.	<ol style="list-style-type: none"> 1. Hvis du ikke utfører vedlikehold, setter du frontdekselet på plass. Hvis dekselet er montert, prøv å justere det på nytt eller ta det av og sett det på igjen. 2. Hvis advarselen fremdeles vises, inspiserer du bryteren midt i den øvre delen av åpningen til lokket. Hvis metallet er bøyd innover, bøyer du det ut igjen. 3. Hvis advarselen fortsatt vises, kontakter du en serviceleverandør.
W14	Forrige forbrenning tok for lang tid.	<ol style="list-style-type: none"> 1. Forsikre deg om at installasjonen er i samsvar med spesifikasjonene, og at luftstrømmen ikke er blokkert. 2. Tilbakestill toalettet som beskrevet i avsnitt 5. 3. Hvis feilen vedvarer, kontakter du en serviceleverandør.
W15	Askebeholderen mangler eller er ikke riktig plassert. Askebeholderens sensor fungerer kanskje ikke som den skal.	<ol style="list-style-type: none"> 1. Hvis du ikke utfører vedlikehold, setter du askebeholderen inn igjen. 2. Hvis advarselen fortsatt vises, prøver du på nytt et par ganger. Forsikre deg om at både beholderen og låse-/utløsermekanismen er skjøvet helt inn. 3. Hvis advarselen fortsatt vises, kontakter du en serviceleverandør.
W16	Mange besøk i løpet av den siste timen. Toalettskålen kan renne over. Bruk toalettet med forsiktighet.	Vurder å vente med videre bruk.
W17	Finner ikke batteriet.	<ol style="list-style-type: none"> 1. Tilbakestill toalettet som beskrevet i avsnitt 5. 2. Hvis advarselen fortsatt vises, kontakter du en serviceleverandør.

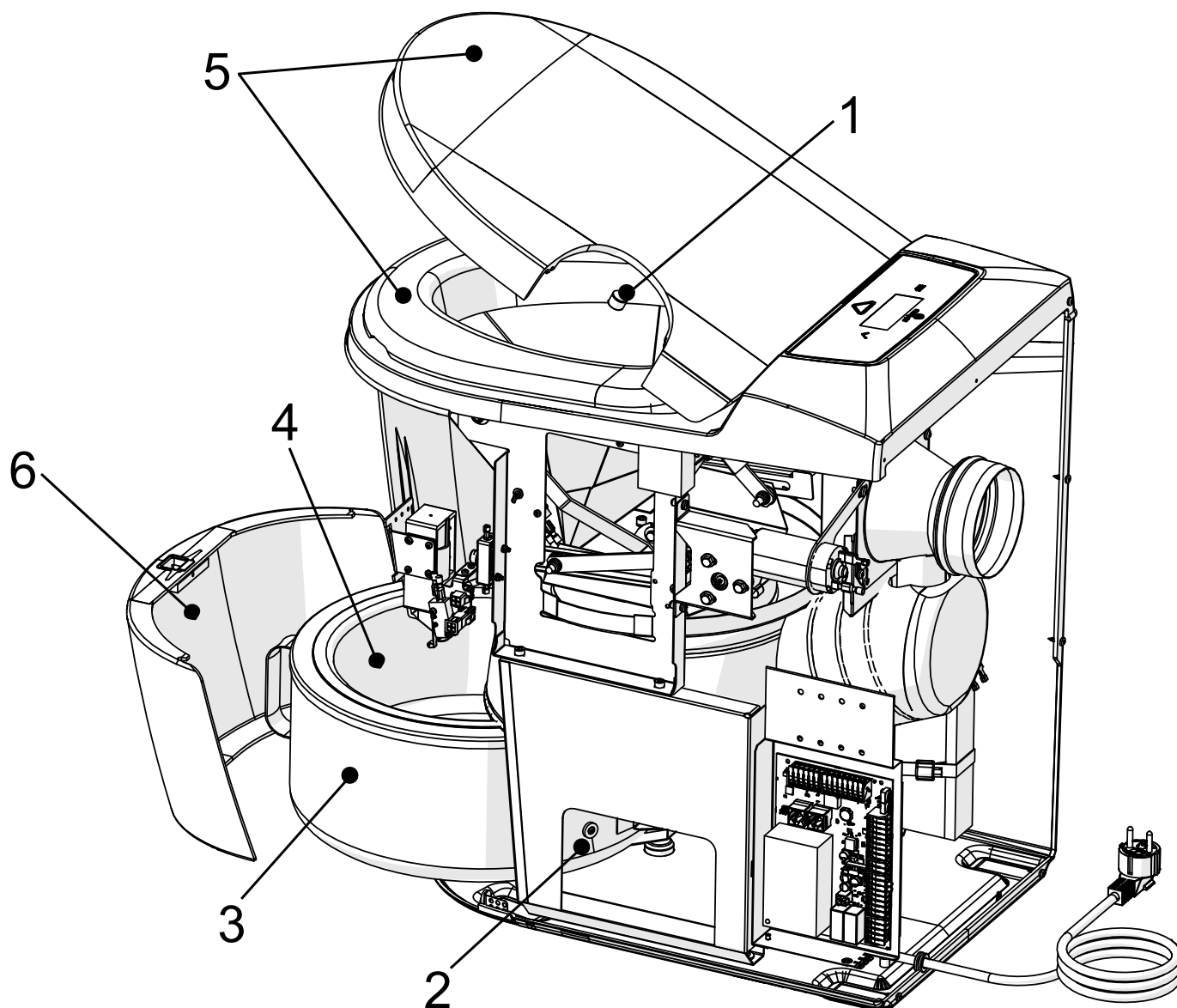
KODE	FEIL	NØDVENDIG TILTAK
E10	Feil i varmekretsen.	<ol style="list-style-type: none"> 1. Forsikre deg om at installasjonen er i samsvar med spesifikasjonene. 2. Tilbakestill bimetaltermostaten som beskrevet i avsnitt 5. 3. Tilbakestill toalettet som beskrevet i avsnitt 5. 4. Hvis feilen vedvarer, kontakter du en serviceleverandør.
E11	Feil på temperatursensoren.	<ol style="list-style-type: none"> 1. Tilbakestill toalettet som beskrevet i avsnitt 5. 2. Hvis feilen vedvarer, kontakter du en serviceleverandør.
E12	For høy temperatur i toalettskallet.	<ol style="list-style-type: none"> 1. Forsikre deg om at installasjonen er i samsvar med spesifikasjonene, og at luftstrømmen ikke er blokkert. 2. Tilbakestill toalettet som beskrevet i avsnitt 5. 3. Hvis feilen vedvarer, kontakter du en serviceleverandør.
E13	Viften fungerer ikke som den skal.	<ol style="list-style-type: none"> 1. Tilbakestill toalettet som beskrevet i avsnitt 5. 2. Hvis feilen vedvarer, kontakter du en serviceleverandør.
E15 E16	Feil på luken.	<ol style="list-style-type: none"> 1. Åpne og lukk lokket slik at startknappen lyser grønt, og trykk på knappen for å bruke toalettet på nytt. 2. Hvis dette ikke fungerer, tilbakestiller du toalettet, plasserer en papirpose i skålen, heller tre kopper vann i posen, lukker lokket og trykker på startknappen. 3. Hvis dette ikke fungerer, venter du til toalettet er avkjølt (viften har stanset), starter toalettet på nytt og velger alternativet «Løs lukefeil» i undermenyen «Service». Se etter gjenstander som har satt seg fast, og fjern dem for hånd. 4. Hvis feilen vedvarer, kontakter du en serviceleverandør.
E22	Finner ikke 230 V strømforsyning.	<ol style="list-style-type: none"> 1. Forsikre deg om at toalettet er koblet til en strømkilde som beskrevet i avsnitt 2.6. 2. Hvis feilen vedvarer, kontakter du serviceavdelingen.
E24	Kunne ikke åpne frontdekselet.	<ol style="list-style-type: none"> 1. Forsikre deg om at det ikke er noe som hindrer at frontdekselet kan utløses. 2. Trekk forsiktig i frontdekselet for å sjekke om det er løst. 3. Prøv å fjerne frontdekselet manuelt som beskrevet i avsnitt 3.8.1. 4. Hvis problemet vedvarer, kontakter du en serviceleverandør.
E25	Feil på skalltemperatursensoren.	<ol style="list-style-type: none"> 1. Tilbakestill toalettet som beskrevet i avsnitt 5. 2. Hvis feilen vedvarer, kontakter du en serviceleverandør.

**OBS!**

Displayet kan vise feilkoder som du ikke finner i denne listen. I så fall kan du prøve å tilbakestille toalettet. Hvis dette ikke løser problemet, kontakter du en serviceleverandør og informer vedkommende om den aktuelle feilkoden for å få hjelp.

6. REPARASJONER OG RESERVEDELER

6.1 RESERVEDELSLISTE



ID	DELEBESKRIVELSE	ART. NR.
1	Magnet 14 × 10 mm	100433
2	Magnet 14 × 7 mm	100065
3	Askebeholder	101713
4	Askebeholderinnsats	100014
5	Lokk og sete	101669
6	Frontdeksel	101695

6.2 OVERSIKT OVER FORBRENNINGSPROSESSEN

Cinderella forbrenningstoalett er konstruert i henhold til feilsikre prinsipper. I tilfelle komponentsvikt eller feilaktige styresignaler går toalettet i «sikkerhetsmodus». Det betyr at toalettet ikke kan starte en forbrenning, og at det vises feilmeldinger på displayet, slik at alle tilfeller av komponentsvikt og/eller signalfeil som kan oppstå, blir sikret av systemet.

Produktet er utstyrt med hall-sensorer som styrer både lokket og askebeholderen. Disse sensorene er normalt åpne og blir utløst når de kommer i kontakt med magneten(e) montert på utsiden av beholderen og på innsiden av toalettlokket.

Når lokket åpnes, begynner aksialviften å ventilere systemet. Trykk på knappen på betjeningspanelet etter hvert besøk for å aktivere forbrenningen. Papirposen med innhold blir sluppet fra toalettsskålen ned i forbrenningskammeret, der den forbrennes trygt ved høy temperatur.

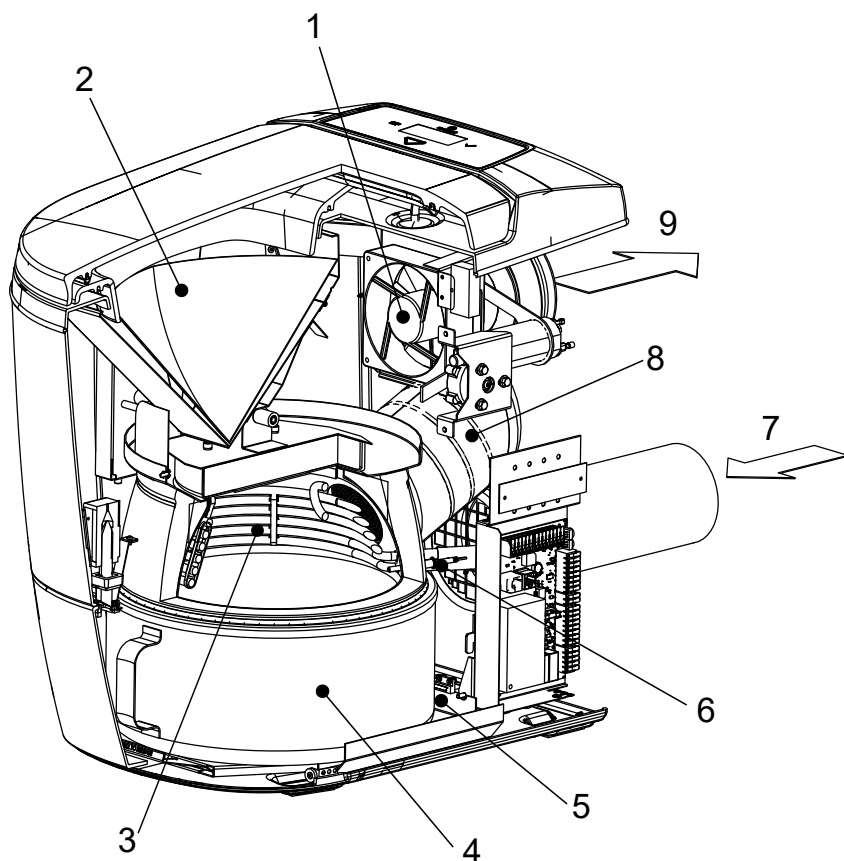
Lukemekanismen styres av to mikrobrytere: én montert på toppen av toaletttrammen for å kontrollere at luken er i ønsket «åpen» posisjon, og én montert nederst på fronten på toalettet for å sikre at luken er i trygg, lukket posisjon.

Luften som tilføres apparatet, gir det nødvendige oksygenet for riktig forbrenning. Avtrekksrøret fjerner overflødig varme. All røyk og damp behandles ved hjelp av en varmeaktivert platinakatalysator for å redusere utslipp og lukt.

Temperaturen inne i forbrenningskammeret overvåkes nøye av termoelementet som er montert inne i kammeret, og temperaturen inne i toalettet ivaretas av bimetalltermostaten som er montert på toalettets innvendige ramme.

Forbrenningsprosessen kan ta 40 til 180 minutter og styres automatisk av toalettets sensorteknologi. Toalettet kan brukes når som helst under forbrenning. Forbrenningsprosessen blir midlertidig avbrutt når lokket åpnes, og gjenopptas automatisk når det lukkes igjen. Toalettet har en rekke sikkerhetsfunksjoner for å sørge for sikker bruk. Se avsnitt 3.4 i denne håndboken.

6.3 APPARATETS TEKNISKE KOMPONENTER



ID	DELEBESKRIVELSE
1	Aksialvifte
2	Papirpose plassert i skål
3	Varmeelement
4	Askebeholder
5	Hall-sensor
6	Termoelement
7	Inntaksluft
8	Katalysator
9	Avtrekksluft

7. GARANTI

Hva dekkes av denne garantien?

Denne garantien dekker defekter i materialer eller utførelse i ditt Cinderella forbrenningstoalett, på de betingelsene, i den perioden og med de unntakene som er beskrevet nedenfor.

Hva dekkes ikke av denne garantien?

Denne garantien dekker ikke normal slitasje eller skader som skyldes ulykker (herunder brann, oversvømmelse, orkan eller annen naturkatastrofe), misbruk, feil bruk, manglende overholdelse av produsentens anvisninger eller feil vedlikehold. Garantien dekker ikke følgeskader eller tilfeldige skader. Cinderella Eco Group har ingen «på stedet»-garanti. Det betyr at toalettet må transporteres til en autorisert serviceleverandør som kan utføre servicen. Hvis dette ikke er mulig, kan forhandleren fakturere en transport- eller reisekostnad.

Hvor lenge gjelder garantien?

For vanlige kunder gjelder denne garantien i en periode på tre (3) år fra den opprinnelige kjøpsdatoen. Bedriftskunder får ett (1) års garanti.

Hva vil Cinderella Eco Group gjøre?

Hvis du sender inn et gyldig krav under denne garantien, vil Cinderella Eco Group etter eget skjønn enten reparere, erstatte eller refundere kjøpesummen for ditt Cinderella forbrenningstoalett.

Hvordan får jeg service?

Kontakt forhandleren eller en autorisert serviceleverandør i ditt land. Tilgjengelige servicealternativer avhenger av landet servicen ønskes utført i.

Du kan bli bedt om å fremlegge kjøpsbevis når du fremsetter et krav under denne garantien. Du finner mer informasjon om garantien på nettstedet vårt: www.cinderellaeco.com

Cinderella Eco Group AS

Sjøvikvegen 67, 6475 Midsund
www.cinderellaeco.com

INNEHÅLL

1. ALLMÄNT	3
1.1 INLEDNING	3
1.2 TILLÄMPNING I ENLIGHET MED BESTÄMMELSER	3
1.3 BRUKSANVISNING	3
1.4 ANSVARSBEGRÄNSNING	3
1.5 TESTER OCH CERTIFIERINGAR	3
1.6 MILJÖKRAV	3
1.7 ALLMÄNNA SÄKERHETSANVISNINGAR	4
1.8. TYP SKYLT	5
1.9 CINDERELLA ONLINE	5
2. MONTERING	6
2.1 PACKA UPP CINDERELLA FÖRBRÄNNINGSTOALETT	6
2.2 MÅTTSPECIFIKATIONER	6
2.3 CINDERELLA INSTALLATIONSSATS ORIGINAL	7
2.4 INSTALLATION, SPECIFIKATIONER	8
2.4.1 SPECIFIKATIONER AV DELAR OCH MATERIAL	8
2.4.2 MONTERA CINDERELLA FÖRBRÄNNINGSTOALETT	8
2.4.3 MONTERA FRÅNLUFTSRÖR	9
2.4.4 MONTERA HORIZONTELLT TILLUFTSRÖR	10
2.4.5 MONTERA CINDERELLA REGNHATT FLOW PÅ FRÅNLUFTSRÖRET	11
2.5 SPECIFIKATIONER OCH KRAV GÄLLANDE ELANSLUTNING	11
2.6 CHECKLISTA FÖR VERIFIERING AV SLUTFÖRD INSTALLATION	12
2.7 PRESTANDATEST EFTER INSTALLATION FÖR VERIFIERING AV SYSTEMETS FUNKTIONALITET	12
3. ANVÄNDNING	13
3.1 AVSEDD ANVÄNDNING OCH HANTERING	13
3.2 ALLMÄN SÄKERHET	13
3.3 SÄKER DRIFT	13
3.4 CINDERELLA PREMIUM SÄKERHETS FUNKTIONER	13
3.5 VIKTIG INFORMATION TILL ANVÄNDARE	14
3.6 HANTERA TOALETTEN	15
3.6.1 KONTROLLPANELEN	15
3.6.2 HEMSKÄRMEN	15
3.6.3 NAVIGERA I MENYERNA	16
3.7 ANVÄNDA CINDERELLA PREMIUM	17
3.8 HANTERA FRONTLUCKAN OCH ASKSKÅLEN	18
3.8.1 ÖPPNA FRONTLUCKAN MANUELLT	19
3.9 DELARNAS PLACERING	19
4. ALLMÄNT UNDERHÅLL	20
4.1 SLUTPRODUKTENS EGENSKAPER	20
4.2 ALLMÄNT UNDERHÅLL	21
4.2.1 TÖMNING OCH RENGÖRING AV ASKSKÅLEN	21
4.2.2 ÅNGRENGÖRING AV KATALYSATORN	21
4.2.3 RENGÖRING AV TOALETTSKÅLEN	22
4.2.4 INSPEKTERA KATALYSATORN	23
4.2.5 RENGÖRA RÖRANSLUTNING	23
4.2.6 SKÖLJA KATALYSATORN MED VARMVATTEN	24
5. FELSÖKNING OCH VANLIGA FRÅGOR	24
5.1 FELSÖKNINGSTABELL	26
6. REPARATIONER OCH RESERVDELAR	28
6.1 LISTA ÖVER RESERVDELAR	28
6.2 TEKNIK OCH FUNKTION	29
6.3. PRODUKTRITNING	29
6.4 KOPPLINGSSCHEMA	30
7. GARANTI	31

1. ALLMÄNT

1.1 INLEDNING

Det är viktigt att säkerställa att ventilationen är tillräcklig och uppfyller de specifikationer som anges i denna bruksanvisning. Detta för att din nya Cinderella-toalett ska fungera korrekt. Felaktig montering kan orsaka funktionsfel, slitage eller luktproblem, samtidigt som garantin blir ogiltig. När produkten ska monteras ska de tekniska standarder och bestämmelser som gäller i aktuellt land följas.

1.2 TILLÄMPNING I ENLIGHET MED BESTÄMMELSER

Denna produkt är designad för förbränning av kroppsliga avfallsprodukter, toapapper och små hygienprodukter som tamponger och våtservetter som inte innehåller alkohol.

1.3 BRUKSANVISNING

Läs denna bruksanvisning noga innan du monterar och börjar använda produkten. Förvara dessa instruktioner på en säker plats så att du vid behov kan ta fram dem. Om du överlåter produkten till någon annan ska även denna bruksanvisning överlämnas.

I bruksanvisningen beskrivs hur man monterar, hanterar och underhåller produkten på ett korrekt sätt. Det är viktigt att både montören och användaren läser igenom instruktionerna i denna bruksanvisning. Den innehåller även information om professionellt underhåll samt service och reparationer.

En digital version av detta dokument samt ytterligare information finns på www.cinderellaeco.com

1.4 ANSVARSBEGRÄNSNING

Informationen och instruktionerna i denna bruksanvisning har utformats enligt gällande standarder och bestämmelser och baseras på den nuvarande tekniska lösningen. Cinderella Eco Group AS förbehåller sig rätten att när som helst göra ändringar i syfte att förbättra produkten och säkerheten.

Tillverkaren tar inget ansvar för skador i följande fall:

- Felaktig montering eller anslutning
- Skador som orsakats av mekaniska faktorer och/eller anslutning till felaktig spänning
- Modifieringar av och ingrepp i utrustningen
- Användning för andra ändamål än de som beskrivs i denna bruksanvisning
- Underlåtenhet att följa instruktionerna gällande drift och underhåll
- Tillämpning som inte är i enlighet med lokala lagar och regler
- Användning av andra toalettpåsar och reservdelar än originalversionerna

1.5 TESTER OCH CERTIFIERINGAR

Cinderella Premium har genomgått omfattande tester hos NEMKO (Norges Elektriske Materiekkontroll) i enlighet med EU:s standard avseende säkerhet och elektromagnetisk kompatibilitet.

1.6 MILJÖKRAV

- Omgivningstemperatur: -20°C – +40 °C
- Användning på hög höjd: Testad upp till 2 500 m



OBSERVERA!

När Cinderella-toaletten är monterad ska avståndet mellan förbränningsdelen och övrig inredning vara minst: 50 mm åt sidorna, 50 mm från bakre vägg.

1.7 ALLMÄNNA SÄKERHETSANVISNINGAR



VARNING!

Säkerhetsanvisningar: Följ dessa instruktioner för att undvika allvarlig skada eller dödsfall.



VARNING!

Säkerhetsanvisningar: Om dessa instruktioner inte följs kan det uppstå skador.



OBSERVERA!

Om dessa instruktioner inte följs kan det uppstå materiella skador och funktionaliteten kan försämrans.



OBS!

Tilläggsinformation gällande hantering av produkten.



VARNING!

- Spraya inte aerosoler i närheten av denna produkt när den är i drift.
- Använd eller förvara inte brandfarliga material i eller i närheten av denna produkt.
- Placera inte föremål mot eller ovanpå denna produkt.
- Modifiera inte produkten.



VARNING!

- Använd inte förbränningstoaletten om den har synliga skador.
- Om strömkabeln till toaletten är skadad ska den av säkerhetsskäl bytas ut av tillverkaren, kundservice eller en motsvarande behörig person.
- Denna toalett får endast repareras av behörig personal. Bristfälliga reparationer kan medföra allvarliga risker.
- Anslut endast toaletten till den spänning som anges på typskylten på toalettens baksida.



VARNING!

- Varning för klämskador! Lagg inte handen mot gångjärnet eller under toalettringen när den är uppfälld eftersom det inte finns någon mjukstängningsfunktion.
- Töm inte askskålen när den är varm.
- Se till att strömkabel och uttag är torra innan produkten startas.
- Informationen och instruktionerna i denna bruksanvisning har utformats enligt gällande standarder och bestämmelser och baseras på den nuvarande tekniska lösningen. Cinderella Eco Group AS förbehåller sig rätten att när som helst göra ändringar i syfte att förbättra produkten och säkerheten.







OBSERVERA!

- Ta enbart tag i toalett-höljet när toaletten ska flyttas. Greppa inte tag i strömkabeln, främre panelen, locket, toalettringen eller frånluftsuttaget.
- Varning för överhettning! Se till att ventilationen är tillräcklig så att den värme och de partiklar som bildas under förbränning kan ledas ut genom ventilationsröret. Säkerställ att luftflödet är tillräckligt. Se till att ventilationen in till toaletten är tillräcklig. Säkerställ att toaletten står tillräckligt långt från väggar eller andra föremål så att luften kan cirkulera.

1.8 TYP SKYLT

Typskylten sitter längst ner på vänster sida av förbränningstoaletten. Där anges modellbeteckning, serienummer, klassificering och information om support. Du behöver ange dessa uppgifter när du kontaktar kundtjänst eller beställer reservdelar.

 Cinderella Eco Group AS Sjøvikvegen 67, 6475 Midsund, NORWAY For sales/support visit: www.cinderellaeco.com CINDERELLA PREMIUM MODEL: EM03CS10 SERIAL:	Appliance Specifications VOLTAGE..... 220-240 V AC 50-60Hz CURRENT 9 A HEATING ELEMENT:..... 2000W EL MOTOR: 12 V DC BATTERY: 12 V DC 2,6 Ah FAN BLOWER..... 12 V DC PROTECTION CLASS..... IP 34 CAPACITY..... 4 VISITS PR. HOUR CIRCUIT BOARD..... E6 YEAR OF MANUFACTURING..... 2023 DESIGNED FOR STATIONARY STRUCTURES	  
---	---	--

1.9 CINDERELLA ONLINE



Registrera dig i "MY CINDERELLA"

När du registrerar din toalett i "My Cinderella" får du relevant information om våra produkter och tillgängliga supporttjänster samt specialerbjudanden för just din toalettmodell. I händelse av stöld finns registrerade toaletter med ägarinformation kvar i vår databas.

Felsökning online

En komplett guide till din toalett med användbara råd och förbättringsåtgärder som gör att du kan lösa de flesta problem på egen hand, utan att behöva tillkalla hjälp.

Lättillgänglig information

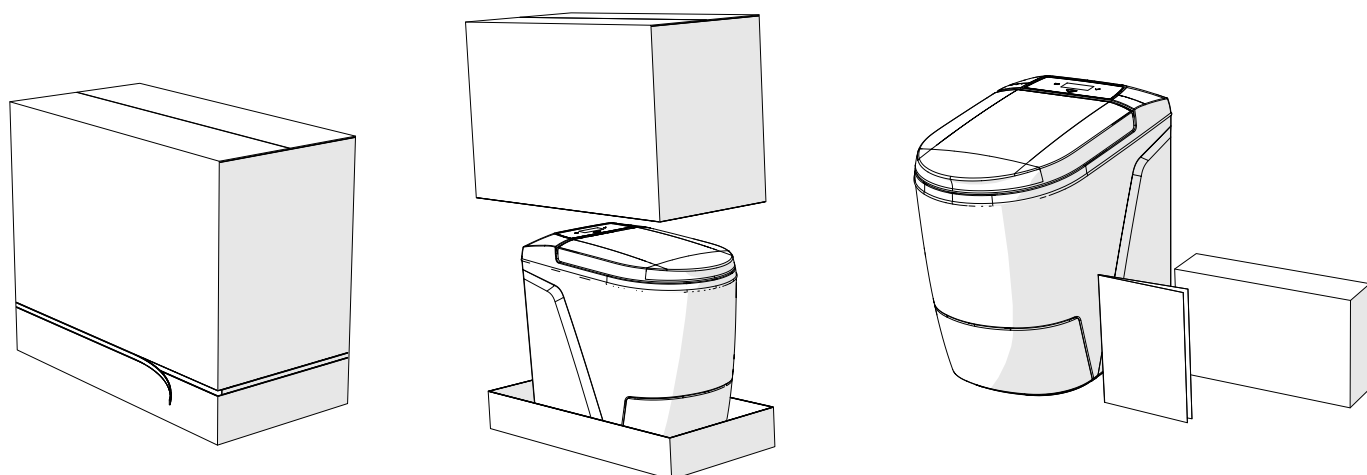
Dokumentation om produkten kan laddas ner från vår webbplats, där du även hittar bruksanvisningen.

Service och reservdelar

Välj bostadsland och få en lista över lokala återförsäljare där du kan få service och reservdelar.

2. MONTERING

2.1 PACKA UPP CINDERELLA FÖRBRÄNNINGSTOALETT



OBS!

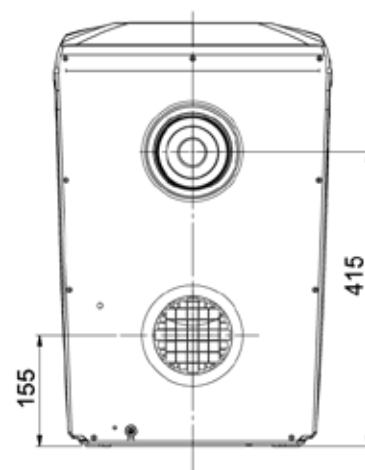
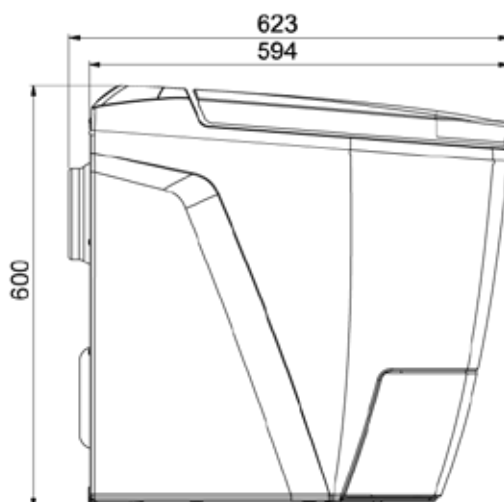
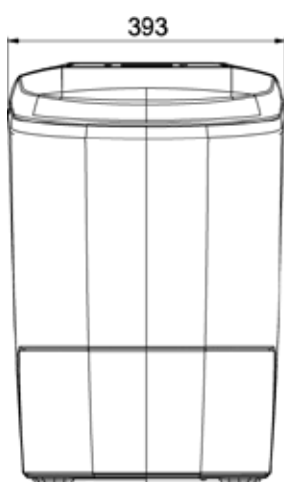
Öppna förpackningen genom att dra i remsan längst ner på lådan. Dra loss remsan hela vägen runt och lyft av lådan.

FÖRPACKNINGENS INNEHÅLL	ANTAL
Cinderella Premium	1
Toalettpåsar	100
Bruksanvisning	1

2.2 MÅTTSPECIFIKATIONER

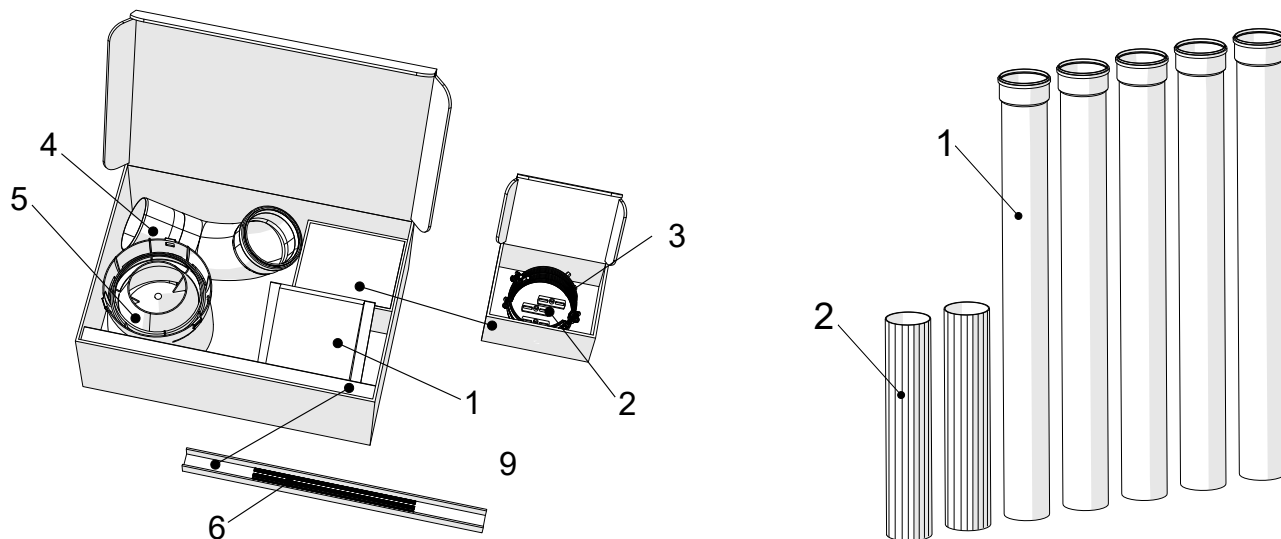
Höjd	600 mm
Sitthöjd	540 mm
Bredd	393 mm
Djup	623 mm

Ventilationsrör, ytterdiameter	110 mm
Höjd, frånluftsuttagets mittpunkt	415 mm
Höjd, tilluftsuttagets mittpunkt	155 mm
Vikt	33 kg



2.3 CINDERELLA INSTALLATIONSSATS ORIGINAL

Cinderella original installationssats: Vi rekommenderar starkt att Cinderella Original installationssats används vid installationen. Detta kompletta paket innehåller alla delar som behövs för installationen och för att förbränningsprocessen och funktionaliteten ska fungera optimalt. I installationssatsen finns två olika paket. Paket nr 1 innehåller en optimerad regnhatt Flow, vinkelrör 87° för ökat systemflöde och förbättrad förbränningseffektivitet. Det innehåller även en stormkåpa för tilluftsror samt rör och 110mm monteringsklämmor för frånluftsror. Paket nr 2 innehåller 7 x 110 mm kvalitetsrör av UV-stabiliserad PP för montering av till- och frånluftsventilation.



CINDERELLA INSTALLATIONSSATS, BOX 1		ANTAL
1	Stormkrage	1
2	Väggmonteringsstav	3
3	Stödklämma	3
4	Vinkelrör, 87° med dränering	1
5	Regnhatt Flow	1
6	Gängad stång	3

CINDERELLA INSTALLATIONSSATS, BOX 2		ANTAL
1	Ventilationsrör 1015 mm hona-hane	5
2	Ventilationsrör 500 mm hona-hane	2



OBS!

- I denna handbok beskrivs hur toaletten monteras korrekt med de delar som ingår i Cinderella Original installationssats. Om du vill montera din Cinderella med andra delar än våra originalrör och -delar ska du se till att de uppfyller de specifikationer som anges i avsnitt 2.4.1 "specifikationer av delar och material".
- För att kunna garantera att din Cinderella förbränningstolett ska fungera som avsett är det viktigt att ventilationen är tillräcklig och uppfyller specifikationerna i denna handbok. Om monteringslösningen avviker från tillverkarens specifikationer, eller om icke godkända delar används, kommer produkten att fungera felaktigt, utsättas för slitage och orsaka dålig lukt. Dessutom blir garantin ogiltig.

2.4 INSTALLATION, SPECIFIKATIONER

2.4.1 SPECIFIKATIONER AV DELAR OCH MATERIAL

ARTIKEL	SPECIFIKATIONER
Ventilationsrör	Cinderella Premium ska alltid monteras med 110 mm-rör med slät insida och en inre diameter på minst 102 mm. Rörmaterialet måste tåla temperaturer på över 100 °C och helst vara av PP- eller CPVC-typ. Vi rekommenderar starkt att Cinderella PP originalrör används.
Rörböj (frånluft)	Cinderella Premium ska alltid monteras med ett vinkelrör med slät yta som inte begränsar luftflödet. Vi rekommenderar starkt att Cinderella originalvinkelrör 87° med dränering används.
Regnhatt	Cinderella Premium ska alltid monteras med en regnhatt som förhindrar att regnvatten kommer in och som begränsar luftflödet så lite som möjligt. Fläktar eller liknande ska inte användas för att ventileras Cinderella förbränningstolett. Vi rekommenderar starkt att Cinderella regnhatt Flow för frånluftsroret används.



OBS!

- Ventilationsrörets insida ska vara slät och inte tillbucklad eller räfflad.
- Rörböjen ska vara åtkomlig efter att den monterats så att dräneringsröret kan spolas ur och frånluftsroret rengöras.
- Cinderella Premium är godkänd för användning i badrum/våtrum (IP 34-klassificerad). De yttre delarna ska dock skyddas från vattenstänk.
- Toaletten ska placeras på ett stabilt och plant underlag. Den kan även placeras på ett uppvärmt golv.

2.4.2 MONTERA CINDERELLA FÖRBRÄNNINGSTOALETT

Det är viktigt att säkerställa att ventilationen är tillräcklig och uppfyller de specifikationer som anges i denna bruksanvisning. Detta för att din nya Cinderella-toalett ska fungera korrekt. Felaktig montering kan orsaka funktionsfel, slitage eller luktproblem samtidigt som garantin blir ogiltig. Läs igenom alla avsnitt noga innan du börjar montera toaletten. Arbetet ska utföras av en behörig person i enlighet med lokala bestämmelser.



OBSERVERA!

Cinderella Premium ska ha ett separat frånluftsror. Det är inte tillåtet att utrusta Cinderella Premiums ventilationslösning med något av följande:

- Vindventilator eller liknande som alternativ till regnhatten
- Använd inte flexibla kanaler eller rör när Cinderella-toaletten ska monteras.
- Rör med en inre diameter på mindre än 102 mm .
- Montera aldrig ytterligare 90-gradersvinklar utöver den medföljande 87° rörböjen.
- Montera aldrig nät i ventilationsröret eftersom luftflödet då begränsas.



OBSERVERA!

- Följ alla de tekniska och administrativa lagar och regler som gäller i det aktuella landet där toaletten ska monteras. Vi rekommenderar att du kontaktar din lokala återförsäljare för att planera monteringen av din Cinderella-toalett.
- Om röret ska gå genom taket ska detta göras i enlighet med gällande byggbestämmelser.

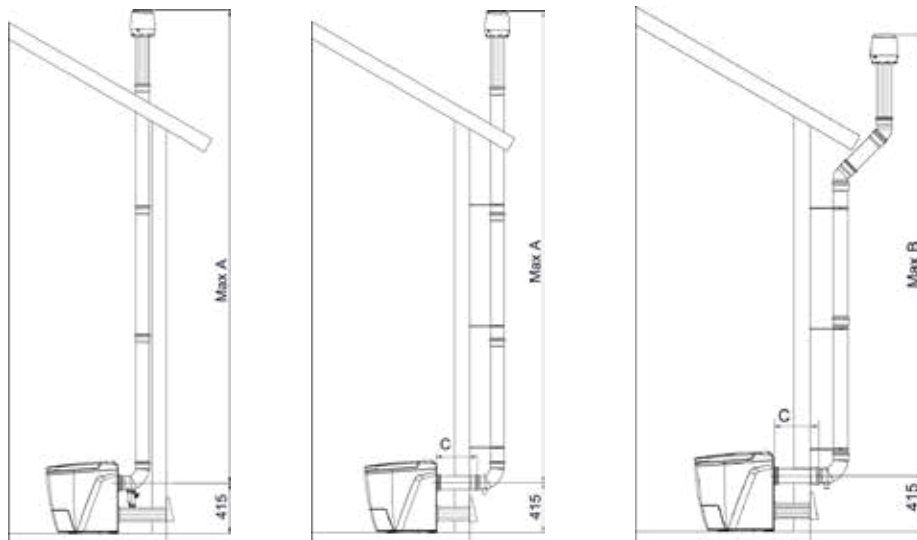


VARNING!

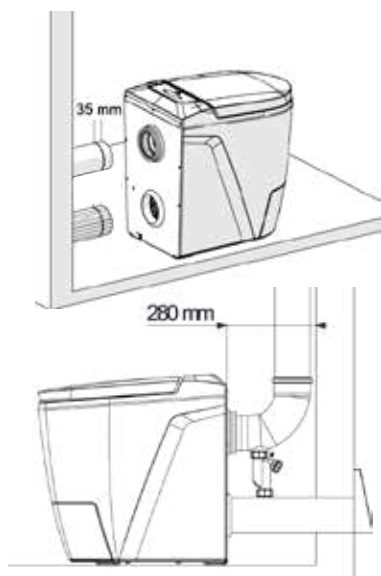
Försäkra dig alltid om att det inte går elledningar eller vattenrör i väggen där du ska göra hål.

2.4.3 MONTERA FRÅNLUFTSRÖR

DIAMETER VENTILATIONS RÖR	MONTERINGSRIKTNING	REFERENS	RÖRVINKLAR	MAXIMAL RÖRLÄNGD
110 mm	Horisontellt ventilationsrör	C	(Ej tillåtet)	1000 mm
110 mm	Vertikalt ventilationsrör	A	Inga	6000 mm
110 mm	Vertikalt ventilationsrör	B	2 x 45° rörvinklar	5000 mm



OBS!
Ventilationsanslutningens mittpunkt sitter 415 mm över golvnivå.



OBS!

Om du ska justera längden på den horisontella rördelen bör du ta med i beräkningen att röret ska föras in 35 mm i toalettens röruttag.



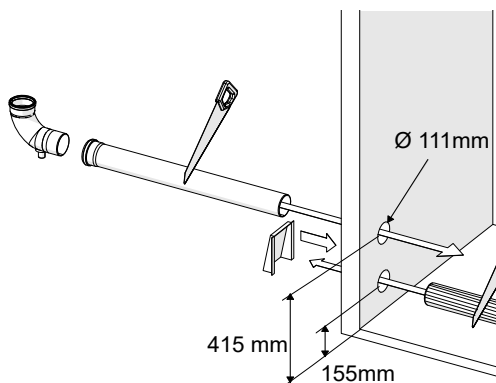
OBS!

När röret ska monteras vertikalt, rakt upp från toaletten, ska avståndet mellan toaletten och väggen vara minst 280 mm.



OBS!

Cinderellas originalinstallationssats innehåller 5 x 1015 mm rör som används för frånluftslösningen. Rören levereras med anslutning och packning för förenklad montering. Om röret ska monteras på väggens utsida behöver det ledas genom väggen till insidan.

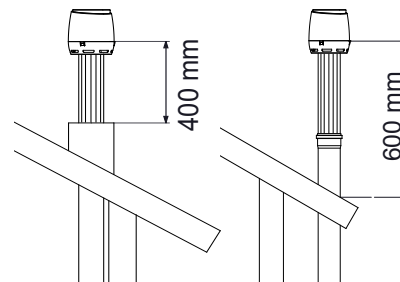


OBS!

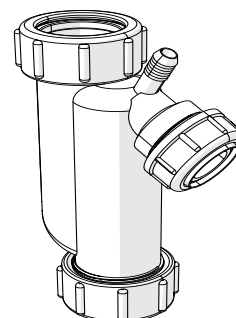
Ventilationsuttaget är utformat för anslutning till 110 mm PP-rör med en innerdiameter på minst 102 mm. Röret ska föras in 35 mm i ventilationsanslutningen. Tryck inte in röret alltför hårt eftersom utrustningen då kan skadas.

**OBS!**

- Röret ska alltid vara vertikalt monterat ovanpå taket och nå minst 600 mm ovanför takytan. Om frånluftsroret ska kläs in (t.ex. med metallpanel) ska röret sticka upp minst 400 mm ovanför beklädnaden.
- Om det är sannolikt att snö kommer att lägga sig på taket kan röret behöva förlängas och stabiliseras på lämpligt sätt. Tänk på att inte förlänga röret så mycket att maxgränsen överskrids.

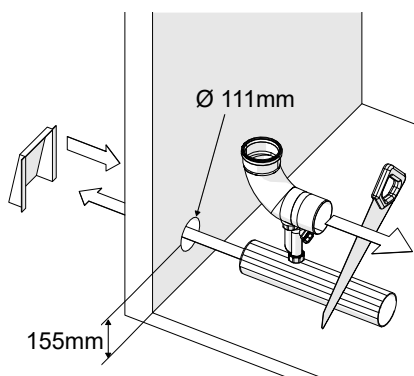
**OBS!**

Cinderella erbjuder en specialdesignad "sifon" som passar till den rövinkel som ingår i installationsatsen. Sifonen kan köpas som tillbehör hos alla Cinderella-återförsäljare. Om installationen görs inomhus ska sifonen anslutas till rövinkeln för att förhindra att kondens- och regnvatten droppar ner på golvet. Om kondensvattnet inte töms ut regelbundet kan golvet skadas.

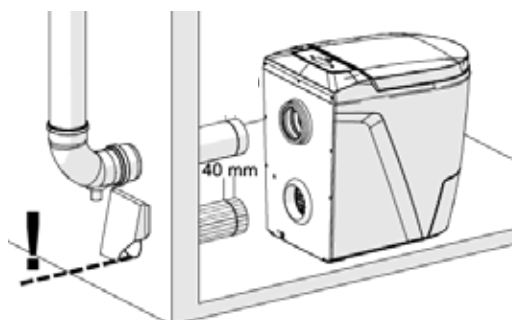
**2.4.4 MONTERA HORISONTELLT TILLUFTSRÖR**

Det är viktigt att det tillförs tillräckligt med friskluft till toaletten. Vi rekommenderar därför alltid att Cinderella Premium monteras med den specialutformade röranslutningen. Att frisk luft tillförs utifrån in till produkten är avgörande för nedkyllningen, cirkulationen och syretillförseln till förbränningsprocessen. Om toaletten inte tillförs tillräckligt med luft/syre försämras förbränningen och effektiviteten och produkten riskerar att överhettas. Dålig förbränning gör att produkten slits och garantin kan bli ogiltig.

YTTRE DIAMETER TILLUFTSRÖR	HÖJD, MITTPUNKT TILLUFTSRÖR	RÖR- RIKTNING	MAXIMAL RÖRLÄNGD
110 mm	155 mm	Horisontell	1000 mm

**OBS!**

- Mittpunkten för tilluftsanslutningen sitter 155 mm ovanför golvet.
- Cinderellas originalinstallationsats innehåller 2 x 500 mm rör som används för tilluftsloösningen, ventilationen och regnhatten. Justera längden så att den passar aktuellt utrymme. Observera att röret ska gå in 40 mm i toalettanslutningen.

**OBS!**

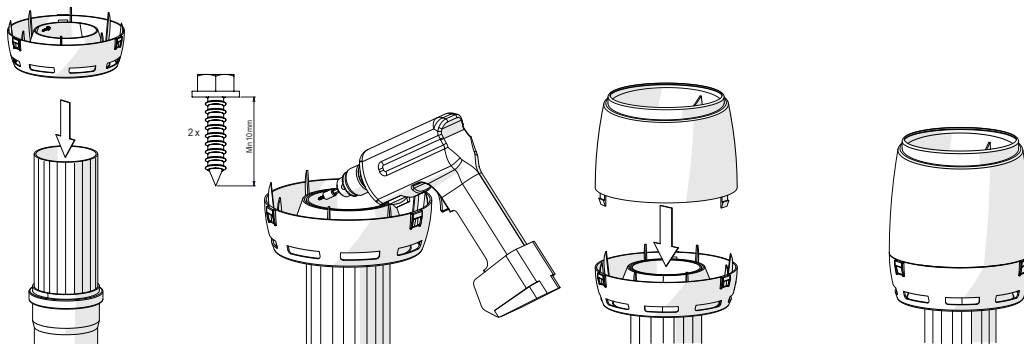
När stormkåpan monteras på ytterväggen ska den sitta med tilluftsrorets nedre del. Om den monteras felaktigt (att kåpan sitter för långt ner över tilluftsroret) begränsas tillförseln av luft vilket kan leda till dålig ventilation, sämre förbränning och risk för överhettning.

2.4.5 MONTERA CINDERELLA REGNHATT FLOW PÅ FRÅNLUFTSRÖRET



OBS!

Cinderella installationssats original innehåller en regnhatt flow som är designad för att optimera luftflödet och öka effektiviteten. Huvnen består av två delar där den nedre delen fästs mot röret med skruv av rostfritt stål eller lim. Det gör det enkelt att montera och demontera huvnen när ventilationsrören ska underhållas. Ett av de 500 mm långa rör som följer med installationssatsen ska användas som avslutande del för anslutning till regnhatten.



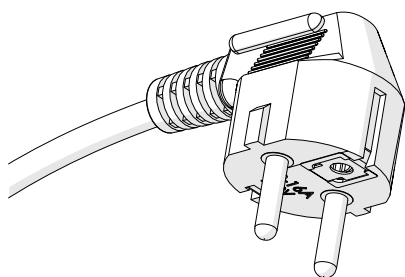
2.5 SPECIFIKATIONER OCH KRAV GÄLLANDE ELANSLUTNING



VARNING!

- Denna produkt ska installeras i enlighet med nationella och lokala lagar, bestämmelser samt elsäkerhetsstandarder.
- Produkten ska anslutas till korrekt spänning, frekvens och strömstyrka via en separat jordad krets som skyddas av en krets brytare med lämplig dimension.
- Korrekt spänning, frekvens och strömstyrka anges i denna manual samt på typskylten på toalettens baksida.

Elanslutning	INEFFEKT	STRÖMSTYRKA	SÄKRING
	220V-240V AC	9 A	10 A
Elförbrukning	STANDBYLÄGE		FÖRBRÄNNINGSLÄGE
	0,5 W		2000 W
Polaritet, anslutning	KABELTVÄRSNITT	KABELLÄNGD	KONTAKT
	1,5 mm ²	2,3 m	Typ F Schuko CEE 7



OBS!

Toaletten levereras med en stickpropp för max. 16 ampere, 250 volt, 2-polig 3-trådig jordkabel av typen schuko F CEE 7/7. För att strömtillförseln ska bli tillräcklig krävs en jordkrets för minst 10 ampere och 230 V AC.



VARNING!

- Anslutningskabeln ska dras så att den inte kommer i kontakt med vassa kanter.
- Om elektroniken eller anslutningskabeln måste modifieras ska arbetet utföras av en behörig elektriker eller motsvarande så att säkerhetsrisker kan undvikas.
- Spänningsomvandlare bör inte användas tillsammans med Cinderella-produkter. Cinderella Premium har en elförbrukning på max 2 000 W och en förbränning kan pågå i mer än en timme. Med en spänningsomvandlare med en toppeffekt på 2 000 W kan denna spänning eventuellt inte bibehållas. Omvandlaren kan då bli överbelastad, skadad eller osäker när den används tillsammans med en Cinderella Premium.

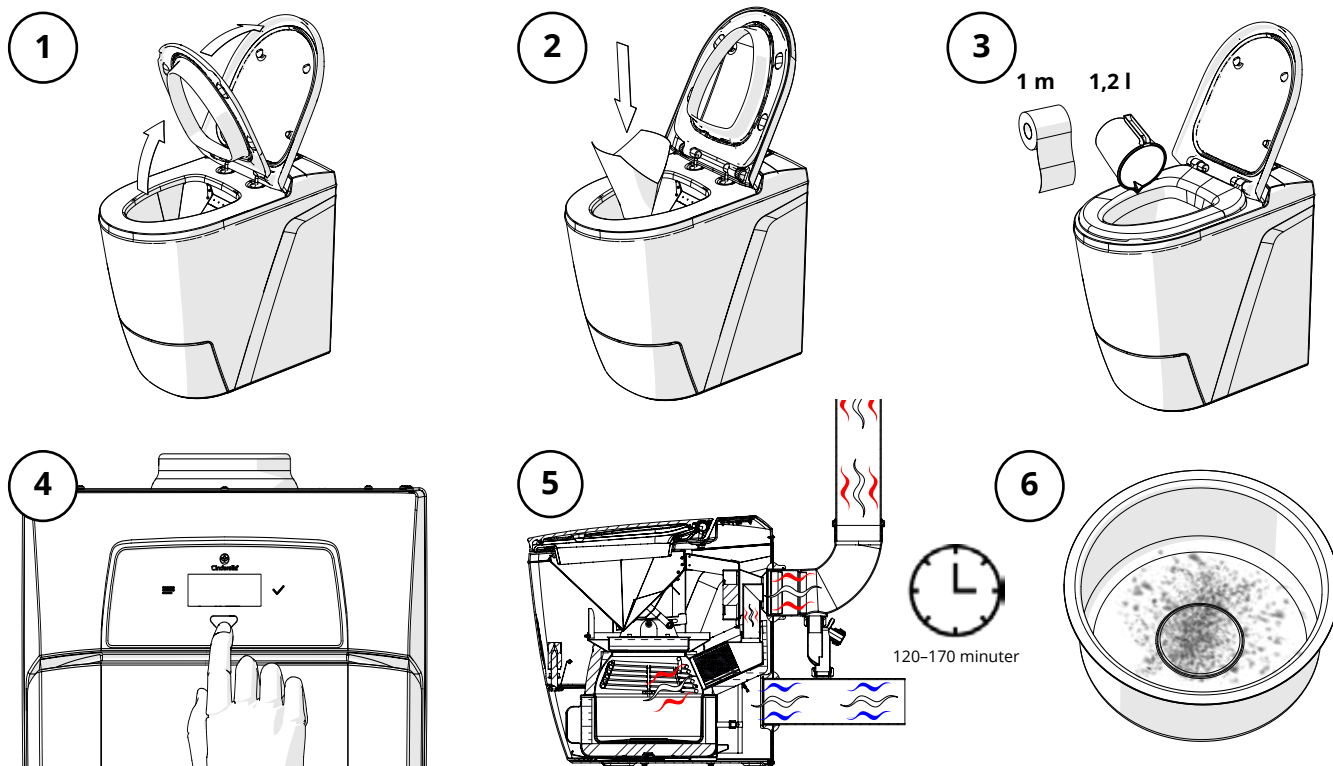
2.6 CHECKLISTA EFTER INSTALLATION FÖR VERIFIERING AV SLUTFÖRD INSTALLATION

KONTROLLERA FÖLJANDE	KRAVET UPPFYLLT
Produkten är ansluten till den spänning som anges på typskylten	
Ventilationsröret är monterat i enlighet med tillverkarens specifikationer	
frånluftsroret mynnar ut minst 600 mm från takytan	
En självdränerande "sifon" har monterats där kondens sannolikt kan uppstå	
Material till ventilationsröret har monterats i enlighet med tillverkarens specifikationer	
Regnhatten har monterats i enlighet med tillverkarens specifikationer	

2.7 PRESTANDATEST FÖR VERIFIERING AV SYSTEMETS FUNKTIONALITET

Sätt i en toalettpåse och fyll den med 1 meter toalettpapper och 1,2 liter vatten. När startknappen trycks in aktiveras förbränningscykeln. Den beräknade förbränningstiden för verifieringstestet är 120–170 minuter. Den gula lampan lyser när förbränning pågår och testet ska kunna slutföras utan att det förekommer felmeddelanden eller systemavbrott. Toaletten måste svalna till dess att fläkten stannat innan askskålen kan tas ut. Nedkylningsfasen kan ta 60–90 minuter beroende på omgivningstemperatur.

Slutprodukten ska vara fin vit aska. Eventuellt avvikande utseende eller en förbränningstid som överstiger 90 minuter kan tyda på att frånluftsroret är igensatt eller att syretillförseln är otillräcklig. Kontrollera att installationen överensstämmer med tillverkarens specifikationer, vilka anges i avsnitt 2 i denna bruksanvisning.



VARNING!

Askskålen blir mycket het under förbränning. Ta inte bort frontluckan förrän toaletten svalnat helt och fläkten stannat.



OBS!

Prestandatestet är utformat för att genomföras innan toaletten börjar användas. Resultaten kan variera om testet utförs på en använd toalett.

3. ANVÄNDNING

3.1 AVSEDD ANVÄNDNING OCH HANTERING

Cinderella Premium-toaletten är avsedd att monteras inomhus för användning i fritidshus, stugor, uthus, baracker, båthus och liknande. Toaletten är endast avsedd för förbränning av kroppsliga avfallsprodukter, toapapper och mindre hygienprodukter som toalettpapper, bindor och våtservetter som inte innehåller alkohol. Om Cinderella Premium används för förbränning av andra föremål anses detta som felaktig användning och garantin blir då ogiltig.

Lägg inte något av följande i toaletten:

- Stora mängder papper av något slag
- Klorinbaserade rengöringsmedel
- Rengöringsservetter innehållande alkohol
- Tidningspapper
- Pappershanddukar
- Brandfarliga vätskor eller material
- Cigarettändare
- Cigaretter eller cigarrer
- Bensin
- Alkoholhaltiga drycker eller vätskor
- Rengöringssprit
- Nagellacksborttagning
- Tändvätska
- Lampolja/fotogen
- Aerosolbehållare
- Glas- eller plastflaskor, burkar etc.

3.2 ALLMÄN SÄKERHET



VARNING!

- Använd inte förbränningstoaletten om den har synliga skador.
- Om strömkabeln till toaletten är skadad ska den av säkerhetsskäl bytas ut av tillverkaren, kundservice eller en motsvarande behörig person.
- Denna förbränningstoalett får endast repareras av behörig personal. Reparationer utförda av obehöriga personer kan medföra fara eller skada toaletten.
- Rengöring och underhåll får inte utföras av barn utan övervakning.
- Använd inte explosiva ämnen eller brandfarliga rengöringsmedel när toaletten ska rengöras.



OBSERVERA!

- Toaletten är endast avsedd för förbränning av kroppsliga avfallsprodukter och små hygienprodukter som tamponger, bindor och våtservetter.
- Små barn ska övervakas när de använder Cinderellas förbränningstoalletter.

3.3 SÄKER DRIFT



VARNING!

- Askskålen i toaletten blir mycket het under förbränning. Töm inte askskålen förrän toaletten har svalnat helt.
- Sittringen har ingen mjukstängningsfunktion. Akta därför händer och fingrar så att de inte kläms när sittringen fälls ner.



OBSERVERA!

Risk för dålig förbränning och att systemet överhettas!

- Använd alltid en ny toalettpåse.
- Se till att ventilationen är tillräcklig så att den värme och som bildas under förbränning kan ledas ut.

3.4 CINDERELLA PREMIUM SÄKERHETSFUNCTIONER

- Förbränningsprocessen är avbruten när toalettlocket är uppfällt. Förbränningen startar inte förrän locket och sittringen fällts ner och startknappen har aktiverats.
- Frontluckan till förbränningskammaren ska INTE öppnas så länge toaletten är varm (t.ex. för rengöring). Den kan endast öppnas när toaletten har svalnat och fläkten stannat.
- Om det uppstår problem med ventilationen och temperaturen inuti toaletten stiger över 105 °C avbryts förbränningen och det visas ett varningsmeddelande. Innan toaletten kan användas igen måste ventilationsproblemet åtgärdas och systemet omstartas manuellt.

- Om askskålen sitter fel efter tömning kommer förbränningen inte att starta. Det tänds då en varningslampa och ett meddelande visas.
- Om det uppstår problem med förbränningskammarens luckmekanism så att luckan inte kan stängas kommer förbränningen inte att starta och det visas ett felmeddelande.
- Cinderella Premium är utrustad med en smart programvara med en vaktfunktion som övervakar temperaturen under förbränningen. Om avvikelser från det normala temperaturintervallet registreras stoppas förbränningen omedelbart och det visas ett varningsmeddelande.
- Om frontluckan inte är korrekt monterad startar inte förbränningen och det visas ett felmeddelande och en felkod.

3.5 VIKTIG INFORMATION TILL ANVÄNDARE



OBS!

- Kom ihåg att sätta en ny påse i toaletten innan den används – en påse per besök.
- Toalettlocket ska alltid vara stängt när toaletten inte används. Förbränningen startar eller återupptas inte förrän locket har stängts.
- Förbränningscykeln kan ta upp till 180 minuter från det senaste besöket.
- Fläkten fortsätter tills förbränningen är avslutad och temperaturen inuti toaletten åter är inom det normala temperaturintervallet. Nedkylningsfasen kan pågå i mer än 120 minuter efter att förbränningen är klar, beroende på temperaturen på den luft som tillförs.
- Cinderella-toaletten kan användas när som helst under tiden förbränning eller nedkylning pågår. Förbränningen avbryts när toaletten används. Se till att fälla ner locket och trycka på start efter varje besök.



Kapacitet: 4 besök per timme

Cinderella Premium-toaletten är designad för att kunna hantera upp till fyra besök per timme. För att undvika överbelastning avråder vi från fler än fyra besök i timmen. Om toaletten överbelastas och det görs fler besök under en kort tidsperiod, utan att en förbränningscykel slutförts, kan det uppstå dålig lukt och läckage samt att toaletten kan ta skada.



Tömning

Tömningsfrekvens

Systemets avfallsbehållare rymmer 5 liter. Askskålen bör tömmas ofta (en gång i veckan) för att toaletten ska fungera optimalt, även fast tömningsvarning inte visas. Förbränningen blir då effektivare och katalysatorn håller sig ren längre. Om askskålen inte har tagits ut (för veckovis tömning) visas efter 70 förbränningscykler ett meddelande om att behållaren bör tömmas. Om den inte tömts efter 90 besök spärras toaletten för fler besök. Vi rekommenderar att du tömmer toaletten så ofta det är möjligt för att säkerställa en bättre förbränningseffektivitet och mindre slitage. Om askskålen inte töms när den är full kan toaletten skadas och garantin bli ogiltig.



Lång period

Ställa i ordning toaletten för en längre tids uppehåll

Om toaletten inte ska användas under en längre tid eller om det finns risk för blixtnedslag ska kontakten dras ur för att förhindra skador. OBS! Avfallet ska vara förbränt och den gula lampan släckt när kontakten dras ur. Om oförbränt avfall finns kvar i toaletten kan detta med tiden leda till omfattande skador. Toaletten ska stå torrt och skyddat mot yttre påverkan från temperaturvariationer och fukt. Det kan också vara klokt att koppla loss toaletten från rören om den inte ska användas under en längre period. Kom ihåg att alltid återansluta toaletten innan den används.



Kort period med större antal besök

Om många väntas använda toaletten under en kort tidsperiod bör du följa dessa råd:

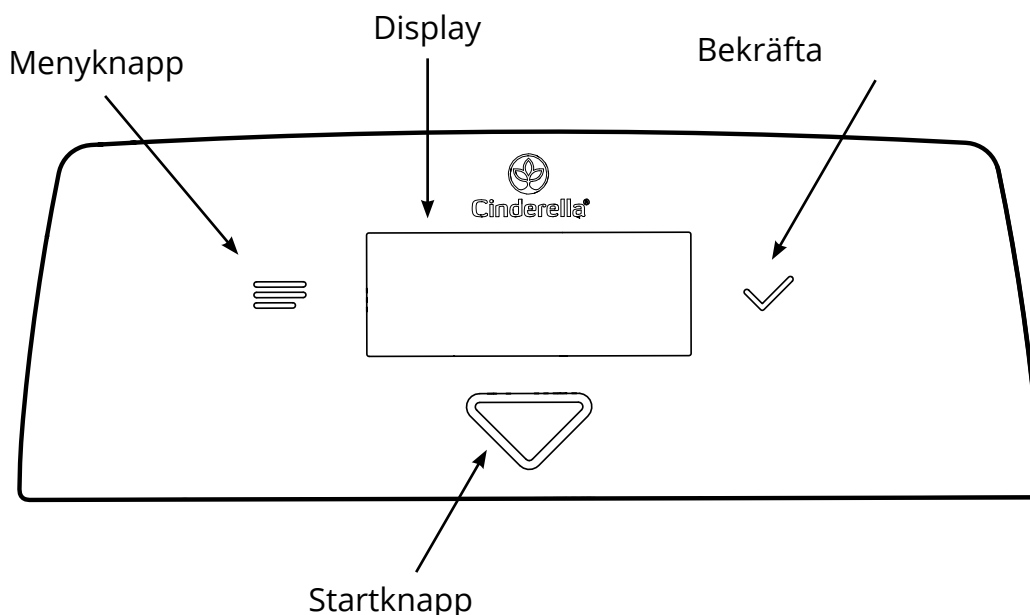
1. Töm och rengör askskålen helt innan gästerna anländer.
2. Förvärm toaletten innan användning genom att öppna och stänga locket och sedan trycka på startknappen.
3. Informera gästerna om att de ska använda en toalettpåse och sedan trycka på start efter varje besök.
4. Kontrollera då och då att toalettlocket är stängt och att den gula förbränningslampan lyser.
5. Du kan behöva köra en eller två extra förbränningscykler för att avfallet ska bli helt förbränt innan askskålen töms.
6. Om det görs ett ökat antal besök under flera dagar ska askskålen tömmas ofta, ungefär varannan dag.

3.6 HANTERA TOALETTEN

Cinderella Premium har en mer avancerad programvara och fler funktioner än tidigare modeller. Via kontrollpanelen går det att navigera i menyerna för att komma åt alla funktioner och inställningar.

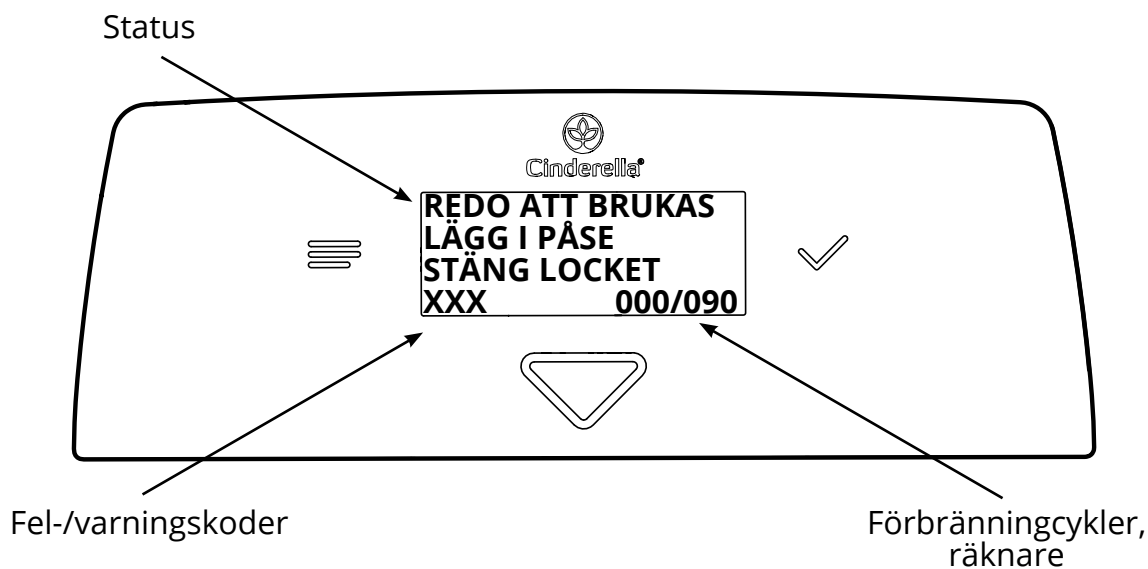
3.6.1 KONTROLLPANELEN

På kontrollpanelen finns knappar för meny, bekräfta och starta samt en användarvänlig display. På displayen visas status för systemet och information som hjälper användaren att navigera i menyerna.



3.6.2 HEMSKÄRMEN

Hemskärmen är den sida som visas i utgångsläget. Här ges information om toalettens status, eventuella varningar eller felkoder och det finns en räknare som visar antalet förbränningscyklar sedan senaste tömning.



Förbränningscykler, räknare/tömningsindikator

I det nedre högra hörnet på Cinderella Premiums kontrollpanel visas hur många besök som gjorts sedan behållaren senast tömdes. När maxgränsen närmar sig visas ett varningsmeddelande och när gränsen är nådd spärras toaletten tills att askan har tömts.

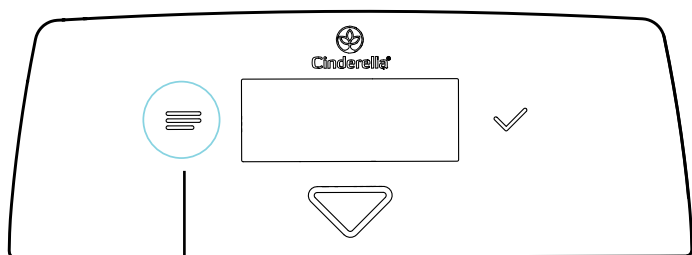


OBS!

Askskålen är oftast mindre än halvfull när meddelandet om tömning visas. Askkan bör ändå tömmas eftersom förbränningen blir effektivare om behållaren töms ofta.

3.6.3 NAVIGERA I MENYERNA

När den bakgrundslysta "meny-knappen" trycks in visas huvudmenyn. Härifrån går det att välja undermeny. Tryck in menyknappen tills önskad meny är markerad och tryck sedan på "bekräfta-knappen".



Huvudmeny	Undermeny
Service	Töm aska
	Rengör toalett
	Ångrengöring
	Lossa luckan
	Nollställ toaletten
	Uppgraderingsläge
Info	CPU ID
	Version
	Visa felbeskrivning
Språk	English
	Norsk
	Svenska
	[...]
Statistik	Totalt antal förbränningar

Välja språk

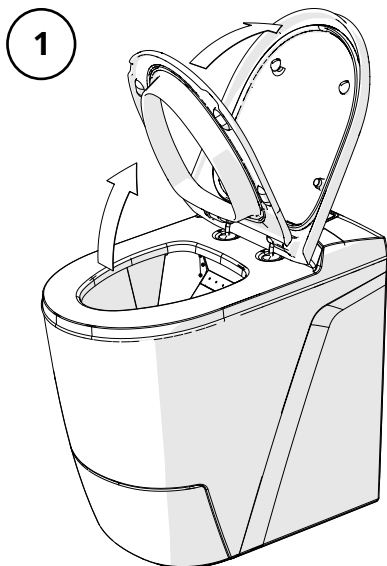
Om språket av någon anledning har ändrats och du inte kan läsa menyerna går du till huvudmenyn. Navigera sedan ner till den tredje raden i listan och tryck på bekräfta-knappen. I nästa lista trycker du in menyknappen tills rätt språk är markerat. Tryck då på bekräfta-knappen.



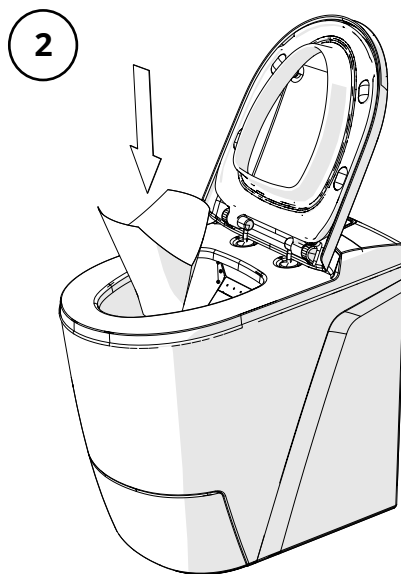
OBS!

För att återgå till hemskärmen går du till "exit" längst ner i listan och trycker på bekräfta-knappen. Produkten återgår också automatiskt till hemskärmen efter 60 sekunder.

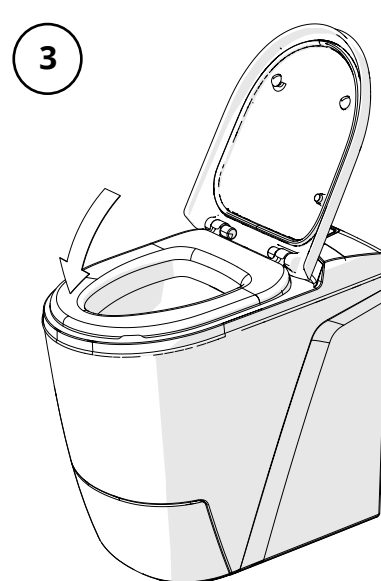
3.7 ANVÄNDA CINDERELLA PREMIUM



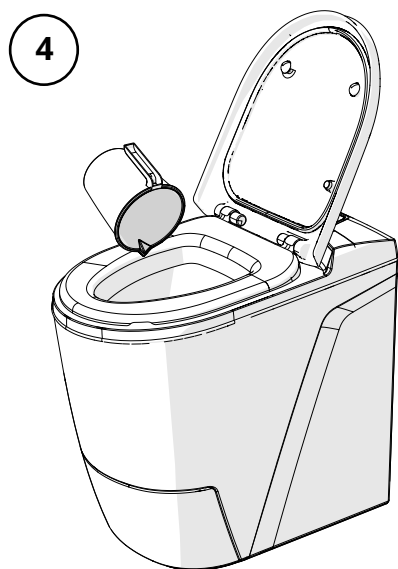
1. Fäll upp toalettlocket och sittringen. Ventilationsfläkten startar.



2. Sätt en toalettpåse i skålen. Sätt i en ny påse vid varje besök.



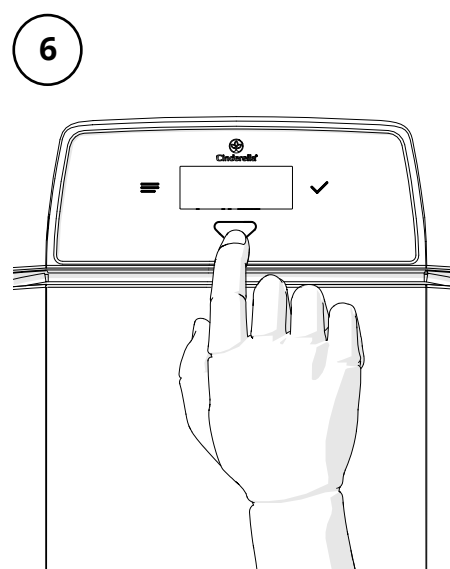
3. Fäll ner sittringen. Toaletten är nu redo att användas.



4. Använd toaletten som vanligt. Om det bara finns en liten mängd avfall i påsen ska man hälla lite vatten i påsen så att den blir tyngre.



5. Stäng toalettlocket.



6. När startknappen trycks in släpps påsen med innehåll ner i förbränningskammaren. Förbränningen startar så snart locket fälls ner. Toaletten är nu redo för nästa besök.



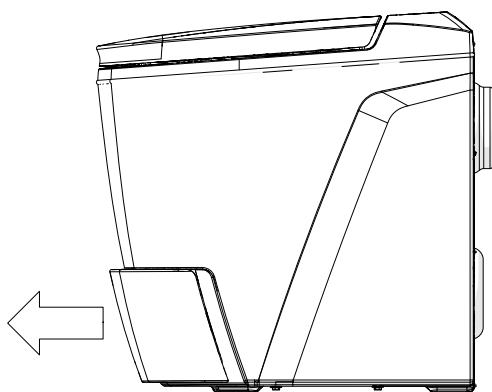
OBS!

När du sätter in en ny påse ska den tryckas ner mot botten av skålen så att den inte hamnar ur läge när toaletten används.

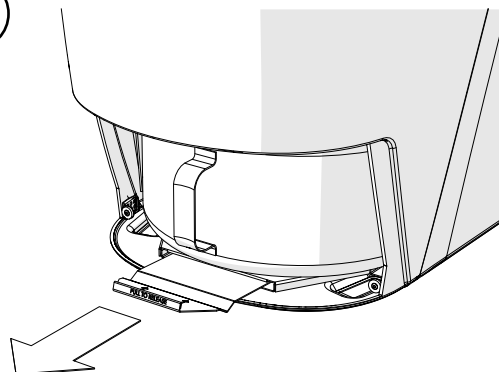
3.8 HANTERA FRONTLUCKAN OCH ASKSKÅLEN

Frontluckan kan öppnas via kontrollpanelen. Gå in på "service"-menyn och välj alternativet "töm aska". När den tunna metallspärren med texten "pull to release" dras ut frigörs askskålen, medan den låses fast när spärren trycks in.

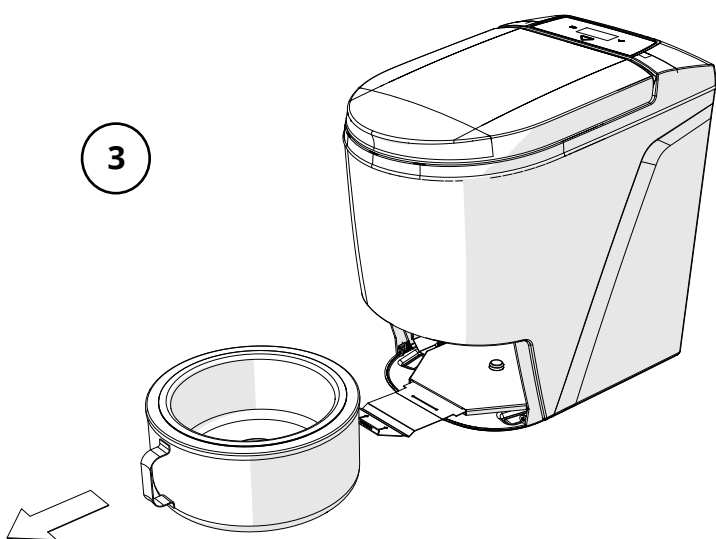
1



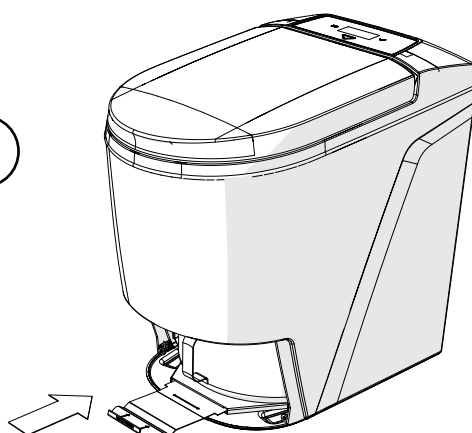
2



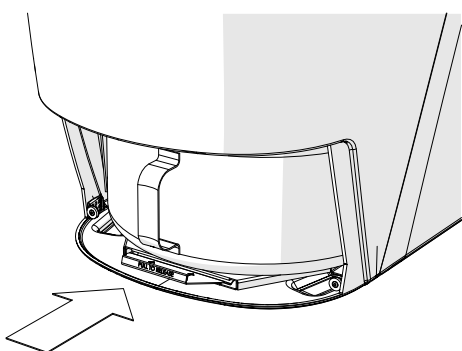
3



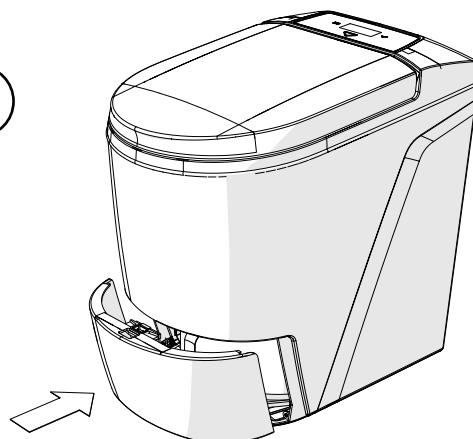
4



5



6



OBS!

- I avsnittet om underhåll finns instruktioner om rengöring och tömning av askskålen.
- Frontluckan kan inte öppnas om den inre temperaturen är för hög. Vänta tills toaletten har svalnat innan panelen tas bort.
- Instruktioner om hur kontrollpanelen fungerar och hur man navigerar i menyerna finns i avsnitt 3.6.

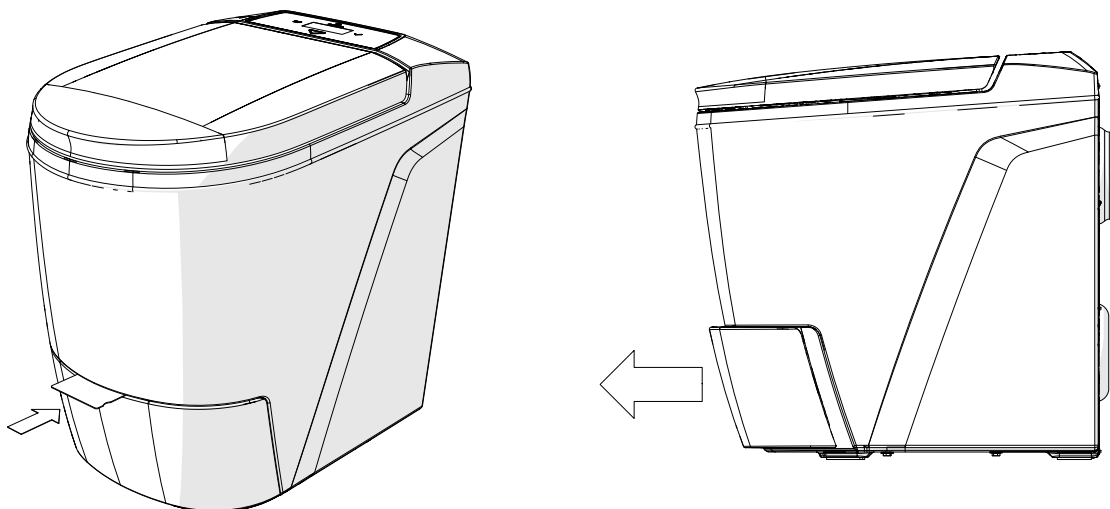


VARNING!

- Askskålen i toaletten blir mycket het under förbränning.
- Försök inte tömma askskålen förrän toaletten har svalnat helt.

3.8.1 ÖPPNA FRONTLUCKAN MANUELLT

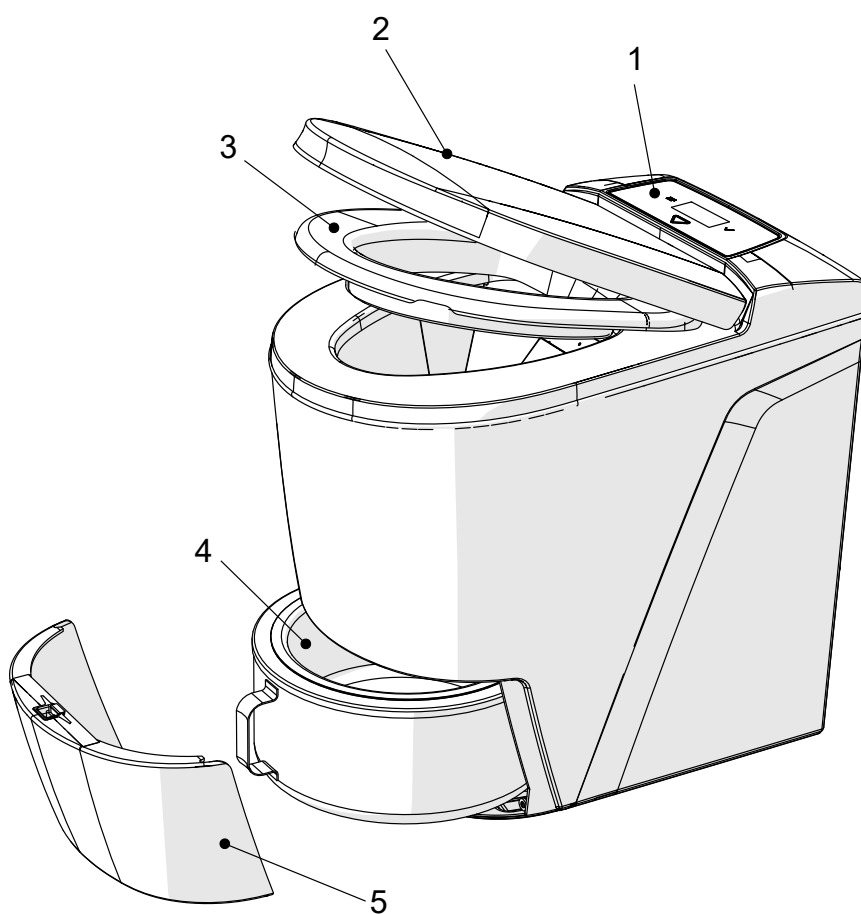
Om det av någon anledning inte går att öppna fronten via kontrollpanelen kan den öppnas manuellt. För då in ett tunt föremål mellan panelen och toaletthöljet mitt på toalettens framsida. Exempelvis fungerar det bra att använda ett kontokort.



VARNING!

Det är möjligt att förbigå systemet och lossa frontluckan trots att innertemperaturen överstiger säkerhetsgränsen. Var därför aktsam. Att vidröra heta ytor medför en risk för brännskador.

3.9 DELARNAS PLACERING



ID	ARTIKELNAMN
1	Kontrollpanel med display
2	Lock
3	Sittring
4	Askskåle med insats
5	Frontlucka

4. ALLMÄNT UNDERHÅLL

Ett välfungerande ventilationssystem är avgörande för att toaletten ska fungera som avsett. Partiklar som genereras under förbränningsprocessen kan med tiden täppa till katalysatorn och ventilationsröret. Det är därför viktigt att regelbundet underhålla dessa delar för att de ska fungera korrekt.

För att säkerställa att din Cinderella Premium fungerar optimalt och håller längre behöver du avsätta lite tid för förebyggande underhåll. Med bra underhållsrutiner blir driftskostnaderna lägre och produkten utsätts för mindre slitage. Vi rekommenderar starkt våra kunder att regelbundet utföra följande underhåll:

1. Töm toaletten ofta. Basera inte underhållsrutinerna på maxgränser.
2. Rengör alltid askskålen och insatsen när de tömts (se avsnitt 4.2.1).
3. Ångtvätta alltid toalettskålen när en förpackning (500) påsar har använts, gärna efter att askskålen tömts och rengjorts (se avsnitt 4.2.2).
4. Skölj katalysatorn med varmt vatten när en förpackning (500) påsar använts eller oftare om det behövs. (se avsnitt 4.2.6).
5. Kontrollera alltid hur askan ser ut när toaletten töms. Om slutprodukten har ett avvikande utseende kan det behövas underhåll eller service (se avsnitt 4.1).

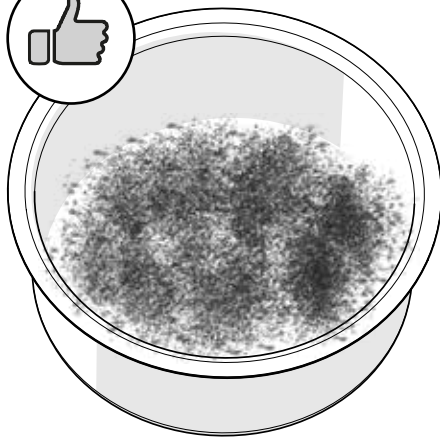


VARNING!

Se till att toaletten inte är i förbränningsläge och att den har svalnat tillräckligt innan underhåll påbörjas.

4.1 SLUTPRODUKTENS EGENSKAPER

Restavfallet, eller askan, innehåller patologiska rester, salter och mineraler och kan därför ofta uppfattas som hårt och kristalliserat. Det ska inte finnas några synliga rester av papper eller flagor av oförbränt avfall. Askan ska bestå av en blandning av vita och mörkgrå partiklar. Om det finns större mängder svart oförbränt avfall, fukt eller papper i behållaren ska en ny förbränning startas utan att ytterligare papper eller vatten tillsätts. När förbränningen avslutats ska behållaren tömmas och underhåll utföras i enlighet med instruktionerna i denna bruksanvisning.

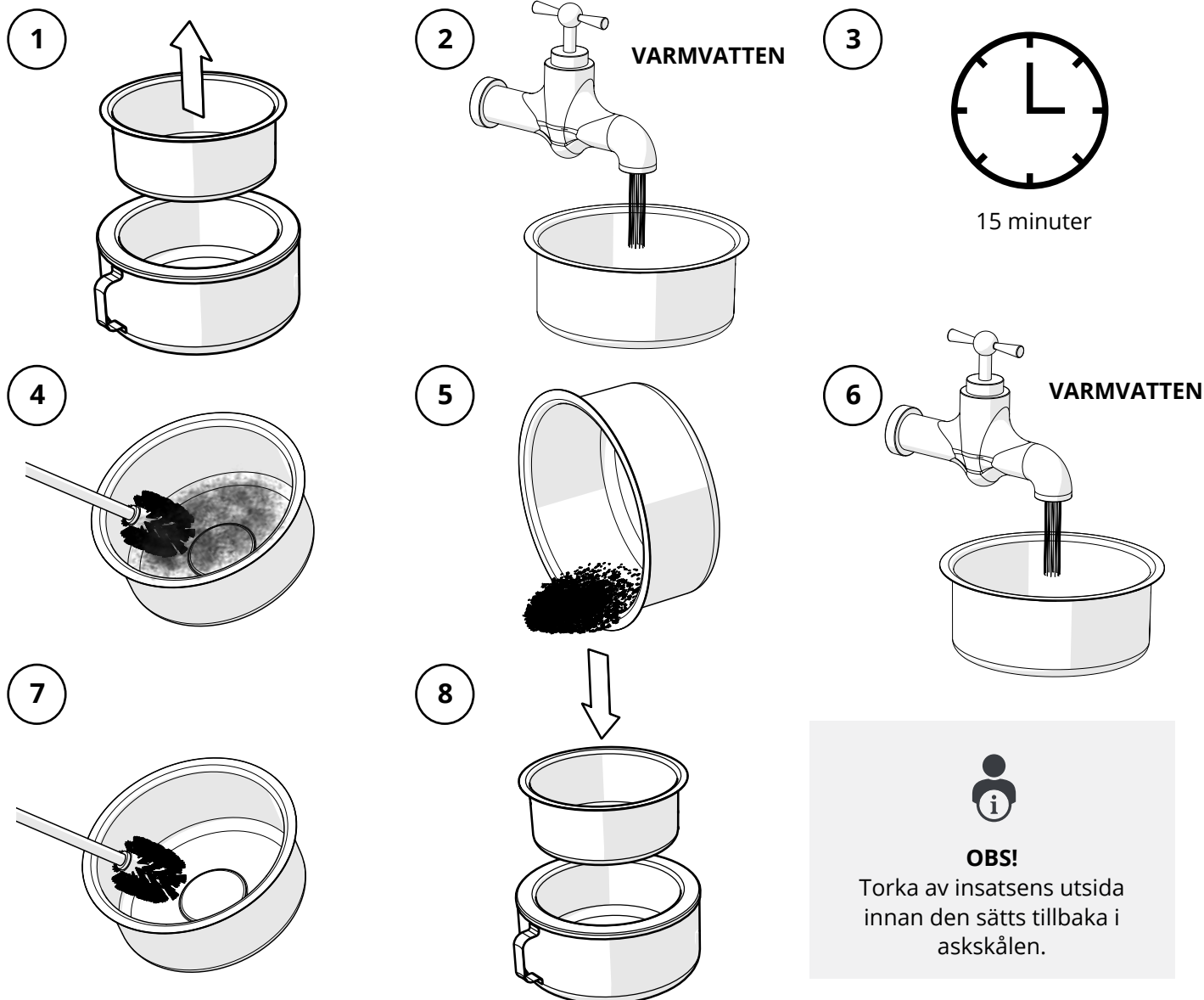


OBS!

Askresterna är sterila och innehåller inga bakterier eller smittämnen. Askrester rekommenderas att sorteras som restavfall. Var medveten om att restriktioner kan gälla i vissa länder, så bekanta dig med och följ reglerna i det land du befinner dig i.

4.2 UNDERHÅLL

4.2.1 TÖMNING OCH RENGÖRING AV ASKSKÅLEN



OBSERVERA!

Använd inte vassa verktyg eller föremål när askskålens insats rengörs eftersom den då kan skadas och dess livslängd förkortas.



OBS!

- För att toalettens funktionalitet ska bibehållas rekommenderar vi att du utför ångrengöring i enlighet med avsnitt 4.2.2 varje gång du tömmer och rengör insatsen. Då förhindrar man att det bildas tjära och oönskade avlagringar i katalysatorn och frånluftssystemet.
- Se till att toalettens elkabel är ansluten när askan ska tömmas. Om den töms utan att elen är ansluten kan systemet inte återställa räknaren.
- Om askskålen töms ofta blir förbränningen effektivare.

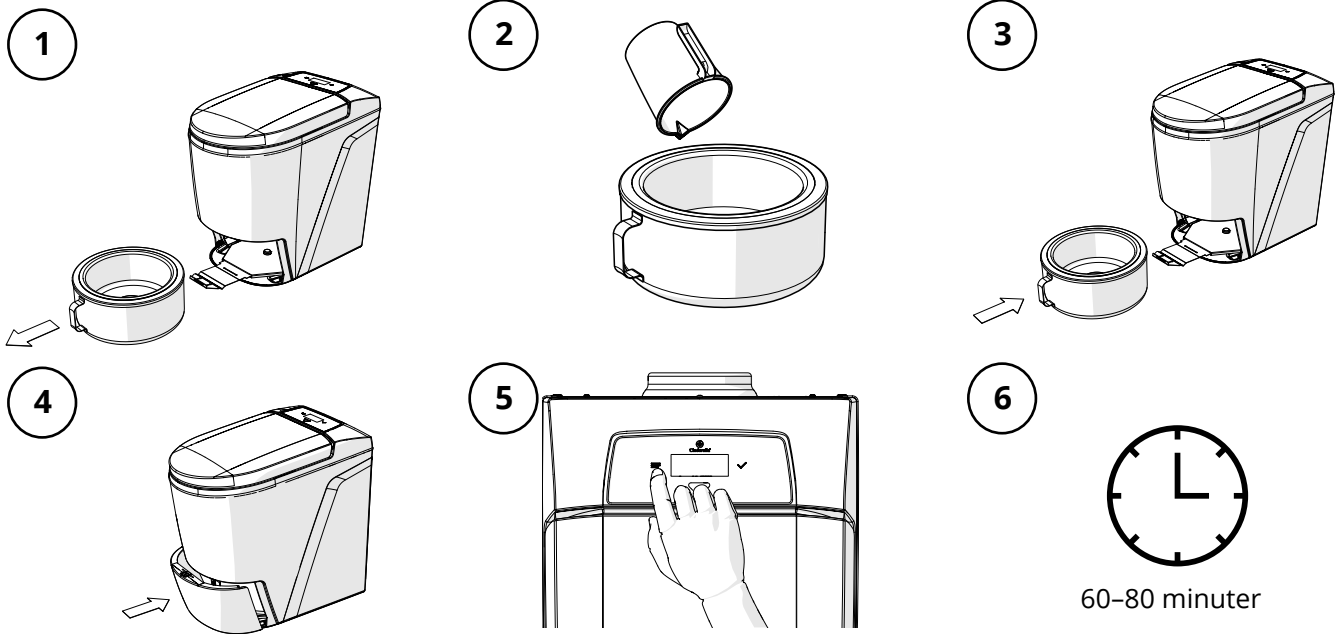
4.2.2 ÅNGRENGÖRING AV KATALYSATORN

Rekommenderad frekvens: När askskålen tömts.

Kontrollera att toaletten är sval och att askskålen tömts och rengjorts (se avsnitt 4.2.1).

1. Ta bort frontluckan och ta ur askskålen.
2. Häll cirka 1 liter rent vatten i insatsen.
3. Sätt försiktigt in askskålen så att inget vatten skvimpas ut och sätt tillbaka frontluckan.

- Gå till menyn "service" och välj "ångrengöring".
- När vatnet börjar koka kommer ångan att avlägsna eventuell smuts från katalysatorn. Denna rengöring tar normalt 60–80 minuter.



OBS!

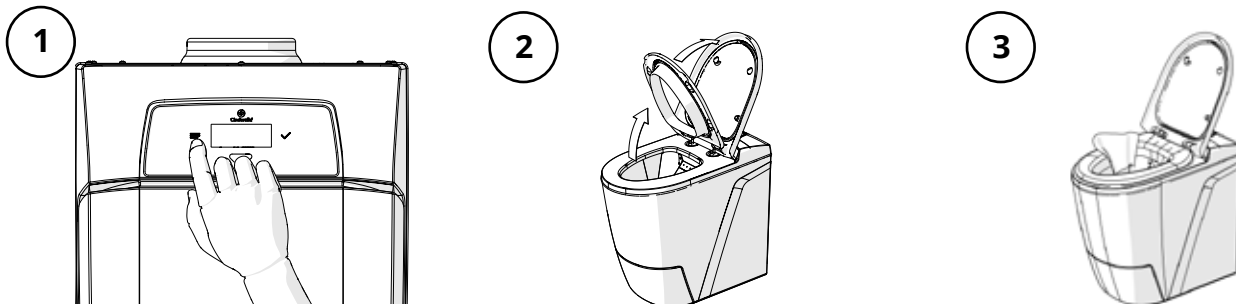
Använd inte toaletten under underhållsprocessen eftersom rengöringsfunktionen då blir mindre effektiv. Toaletten kan användas när den åter är i viloläge.

4.2.3 RENGÖRING AV TOALETTSKÅLEN

Rekommenderad frekvens: vid behov samt när askskålen töms.

Rengöring av toalettskålen:

- Gå till undermenyn "service" under huvudmenyn och välj "rengör toalett" (se avsnitt 3.6.3)
- Fäll upp sittning och lock
- Torka med fuktat papper och vid behov ett mildt rengöringsmedel. Släpp papperet i skålen och stäng locket.



VARNING!

- Rengör inte toalettskålen med brandfarliga rengöringsmedel.
- Vissa metalldelar har vassa kanter
- Toaletten ska ha svalnat och vara i viloläge när toalettskålen rengörs.



VARNING!

Det är enbart locket som har en mjukstängningsfunktion. Var därför försiktig så att du inte klämmer fingrarna.



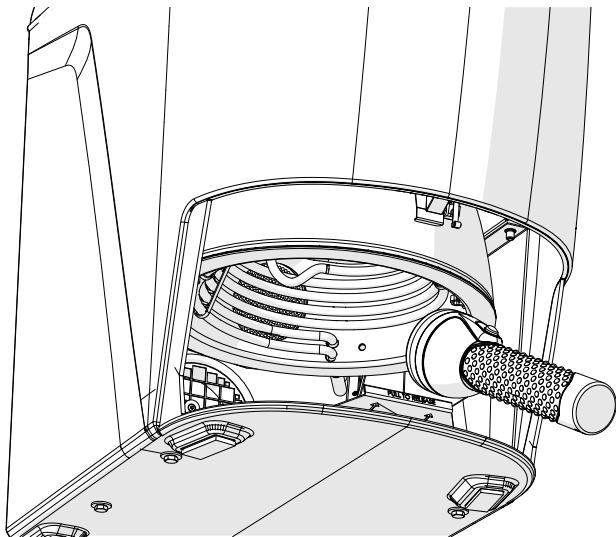
OBSERVERA!

Använd inte klorinbaserade produkter för att rengöra skålen. Klorin är extremt skadligt för katalysatorn och kan orsaka funktionsfel.

4.2.4 INSPEKTERA KATALYSATORN

Rekommenderad frekvens: Efter 500 toalettbesök.

Katalysatorn är den primära luftkanalen mellan förbränningskammaren och ventilationsröret. Eventuella partikelansamlingar i katalysatorn minskar flödes hastigheten och försämrar toalettens effektivitet samt orsaka dålig lukt. Det är därför viktigt att se till att katalysatorn alltid är fri från beläggningar. Om förbränningstiden blir längre, förbränningseffektiviteten sämre eller det uppstår dålig lukt kan katalysatorn vara igensatt. Den bästa och enklaste metoden för att rengöra katalysatorn är att utföra ångrengöring. Se beskrivning i avsnitt 4.2.2. Du kan också inspektera katalysatorns front genom att ta bort askskålen och lysa upp i förbränningskammaren inifrån. Eventuella partiklar eller lukter som finns kvar efter ångrengöring avlägsnas om katalysatorn sköljs i varmt vatten, se beskrivning i avsnitt 4.2.6



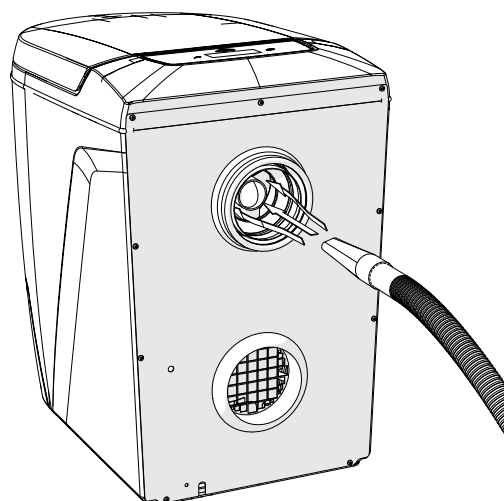
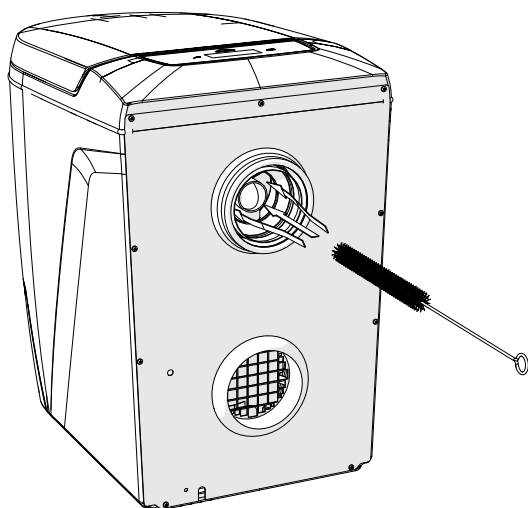
OBS!

Tydliga tecken på korrosion eller deformation tyder på att katalysatorn behöver bytas. Kontakta din lokala serviceleverantör för att beställa service.

4.2.5 RENGÖRA RÖRANSLUTNING

Rekommenderad frekvens: minst efter vart 500:e toalettbesök.

1. Toaletten ska demonteras från ventilationsröret och elkabeln ska dras ur.
2. Rengör röranslutningen med en flaskborste eller liknande. Det är viktigt att både anslutningshålet och alla delar ända in till fläktbladen rengörs för att luftflödet ska bli optimalt.
3. Ta ut askskålen och avlägsna eventuell smuts från behållaren.
4. Använd en dammsugare för att få bort återstående smuts från röranslutningen och katalysatorn.
5. Anslut därefter toaletten till ventilationsröret och elkabeln.
6. Montera askskålen och frontluckan.
7. Vi rekommenderar att en ångrengöring utförs enligt beskrivningen i avsnitt 4.2.2 efter att röranslutningen rengjorts.

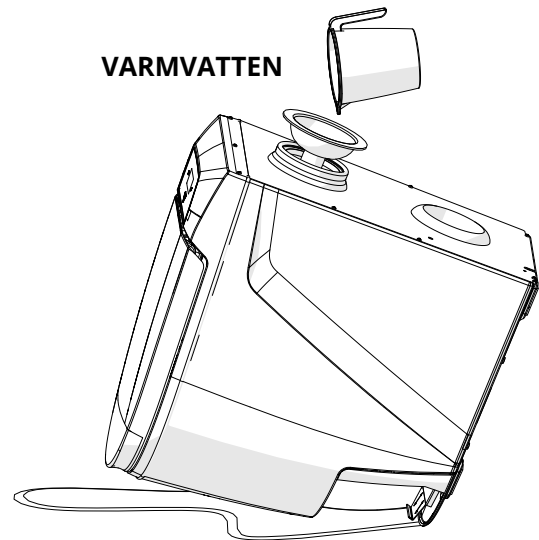


4.2.6 SKÖLJA KATALYSATORN MED VARMVATTEN

Rekommenderad frekvens: 1 gång om året eller maximalt efter vart 500:e toalettbesök.

Katalysatorn kan behöva spolas av om alla partiklar eller lukter inte har avlägsnats av ångrengöringen. För detta krävs tunga lyft och ett utrymme som tål vattenspill. Utför steg 1–7 i "Rengöring av röranslutning" och följ sedan beskrivningen nedan.

1. Ställ toaletten på en plats som tål vatten, t.ex. där det finns en golvbrunn, utomhus eller i ett badkar. Använd den specialdesignade Cinderella-tratten eller en tratt som passar i det lilla röret. Luta toaletten och håll 2–3 liter hett vatten genom röret och katalysatorn. Det vatten som kommer ut ska vara rent när rengöringen är klar. Häll vid behov i mer vatten för att rengöra systemet.
2. Upprepa steg 1 4-5 gånger tills vattnet är rent och inga beläggningar eller andra hinder syns inuti katalysatorn (se avsnitt 4.2.4). Steg 1 ska upprepas 4-5 gånger även om vattnet är klart innan.
3. Montera därefter tillbaka toaletten på frånluftsroret och anslut elkabeln
4. Montera askskålen och frontluckan.
5. Utför det prestandatest som beskrivs i avsnitt 2.8.



OBS!

Innan toaletten demonteras och systemet spolas med varmvatten ska katalysatorn kontrolleras och ångrengöring utföras enligt beskrivningen i avsnitt 4.2.2. Om katalysatorn fortfarande är igensatt, eller om det fortfarande luktar under förbränningen, ska den sköljningsprocedur som beskrivs ovan utföras.



OBSERVERA!

Fronten på det yttre höljet är tunn och kan inte bära upp toalettens hela tyngd. Luta toaletten försiktigt och se till att det yttre höljet inte utsätts för påfrestningar. Det bästa är om två personer utför detta arbete, så att en kan hålla i toaletten medan den andra spolat ur katalysatorn.

5. FELSÖKNING OCH VANLIGA FRÅGOR



VARNING!

Service ska alltid utföras i enlighet med alla gällande nationella och lokala bestämmelser. Om du är osäker på vad som gäller där du bor bör du kontakta närmaste återförsäljare eller servicerepresentant. Strömmen ska kopplas bort när service och underhåll utförs på toaletten.

Felsökning online

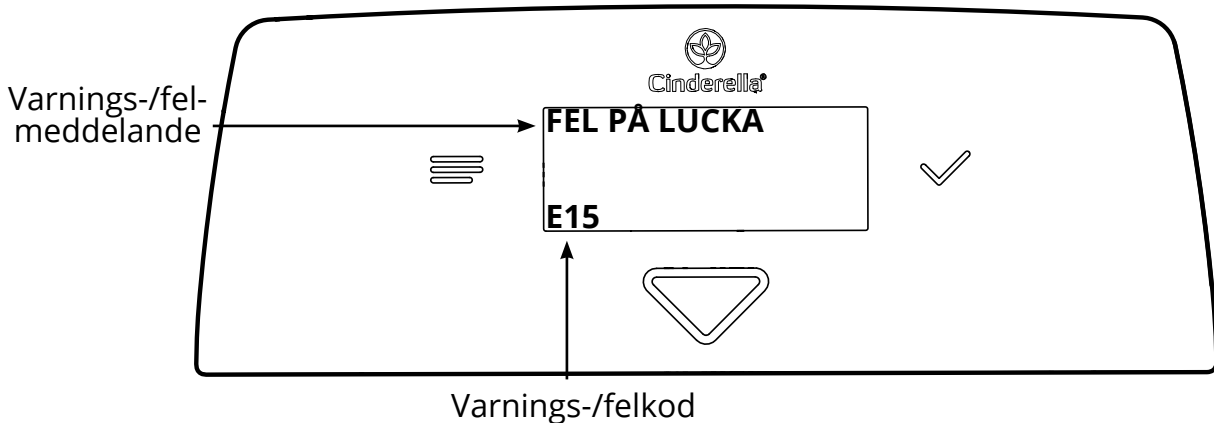
Om det uppstår problem med toaletten under drift visas en varnings- eller felkod. Dessa beskrivs under "varnings- och felkoder" på nästa sida. Vi har samlat de vanligaste felen/problemen i en felsökningsguide på webben. Där kan du enkelt få svar på vad det är för fel på din toalett samt även förslag på hur du själv kan lösa problemet.

Nollställa toalettsystemet

Under rengöring och felsökning kan det vara en bra idé att nollställa elektroniken. Det gör du genom att trycka in menyknappen, välja undermenyn "service" och sedan alternativet "nollställ toaletten".

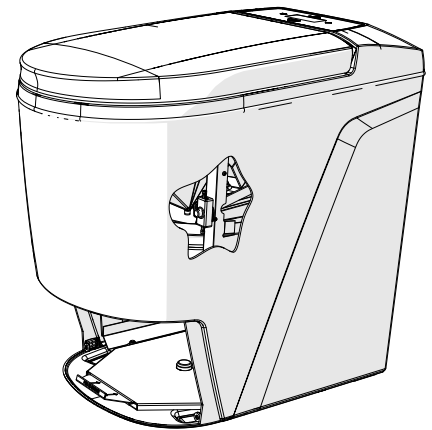
Varnings- & felmeddelanden

När det visas ett varnings- eller felmeddelande bör du normalt undersöka och åtgärda problemet innan toaletten används. För att undvika skador och onödiga reparationskostnader bör du omedelbart åtgärda eventuella problem som exempelvis dålig lukt, dålig förbränning eller systemfel.



Bimetall-termostaten löser ut

Bimetall-termostaten löser ut om temperaturen inuti toaletten blir för hög. Detta inträffar normalt om luftflödet inte är tillräckligt eller om det finns igensättningar i till- eller frånluftskanalerna. Det är därför viktigt att kontrollera att tilluftslösningen uppfyller specifikationerna och att ventilationsröret är öppet och inte igensatt. Kontrollera katalysatorn visuellt och utför ångrengöring enligt beskrivningen i avsnitt 4.2.2. För att återställa bimetall-termostaten tar du ut askskålen. Tryck in knappen på termostaten som sitter på höger sida på ramen (se bilden).



Under strömavbrott

Om en förbränningsprocess pågår när det inträffar ett strömavbrott kan det börja lukta från toaletten och ryka från frånluftsroret. Fläkten körs på batteri tills toaletten svalnat. Eftersom förbränningen inte återstartar automatiskt när strömmen är tillbaka måste du starta en ny förbränningscykel manuellt. Om strömavbrottet förväntas pågå i längre än två timmar är det viktigt att tömma toaletten på eventuellt avfall eftersom den annars kan ta skada. Använd aldrig toaletten under strömavbrott.

Dålig lukt inomhus

Lukter kan uppstå av olika anledningar:

1. Om en toalettpåse inte används vid varje toalettbesök eller om påsen används felaktigt.
2. Luftflödet kan vara blockerat. Kontrollera ventilationsröret och regnhatten.
3. Kontrollera att produkten har installerats i enlighet med monteringsanvisningarna. Om det inte flödar tillräckligt med luft genom ventilationsröret kan det uppstå undertryck och dålig lukt.
4. Ventilationsröret eller röranslutningen kan vara igensatt. Se avsnitt 4.2.5
5. Katalysatorn kan vara igensatt. Se avsnitt 4.2.6
6. Ventilationsröret är inte ordentligt fastsatt i toaletten. Se avsnitt 2.5.1.

Dålig lukt utomhus

Orsaken kan vara densamma som inomhus, eller:

1. Katalysatorn har inte uppnått driftstemperatur. När toaletten är kall kan det ta några minuter innan katalysatorn uppnår den temperatur då den börjar fungera som avsett.
2. Katalysatorn kan ha korroderat eller deformerats. Kontakta din serviceverkstad.

Överspänning

Om överspänning uppstår, till exempel under ett åskoväder, kommer toaletten automatiskt att nollställas och en ny förbränning måste då startas manuellt.

5.1 FELSÖKNINGSTABELL



OBS!

Cinderella har utvecklat en digital felsökningsmodul som finns på vår webbplats. Modulen fungerar som en guide och ett komplement till felsökningstabellen. Du hittar den på www.cinderellaeco.com

INFORMATION	ÅTGÄRD
Kunde inte utföra åtgärd	Det pågår redan ett program och det går därför inte att starta ett nytt. Om exempelvis ångrengöring pågår går det inte att samtidigt tömma askan.
Toaletten är för varm	Den åtgärd du vill utföra är inte möjlig eftersom produkten för närvarande är för varm. Vänta tills toaletten svalnat och försök igen.
Töm askan innan ångrengöring utförs	Innan ångrengöring påbörjas måste askskålen tömmas. Töm askan och försök igen.

KOD	VARNING	ÅTGÄRD
W10	70 eller fler toalettbesök sedan askan senast tömdes.	Töm gärna askskålen
W11	90 eller fler toalettbesök sedan askan senast tömdes.	Töm askskålen
W12	Frontluckan är öppen.	1. Om underhåll inte pågår ska frontluckan sättas tillbaka. Om panelen sitter på plats, försök då justera den eller ta bort och sätta tillbaka den. 2. Om varningen kvarstår bör du kontrollera den spärr som sitter i mitten längst upp i panelöppningen. Om metallspärren är böjd inåt ska den böjas ut igen. 3. Kontakta en serviceverkstad om varningen kvarstår.
W14	Föregående förbränning tog för lång tid.	1. Se till att toaletten monterats enligt specifikationen och att luften kan flöda fritt. 2. Nollställ toaletten enligt beskrivningen i avsnitt 5. 3. Kontakta en serviceverkstad om felet kvarstår.
W15	Askskålen är uttagen eller sitter i fel läge. Askskålens sensor fungerar eventuellt inte korrekt.	1. Om underhåll inte pågår ska askskålen sättas tillbaka. 2. Upprepa ett par gånger om varningen kvarstår. Se till att behållaren förts in helt och att även spärrmekanismen är intryckt hela vägen. 3. Kontakta en serviceverkstad om varningen kvarstår.
W16	Många besök den senaste timmen. Toalettskålen kan svämma över. Använd med försiktighet.	Vänta gärna en stund till nästa besök.
W17	Batteriet kunde inte kännas av.	1. Nollställ toaletten enligt beskrivningen i avsnitt 5. 2. Kontakta en serviceverkstad om varningen kvarstår.

KOD	ETT FEL UPPSTOD	ÅTGÄRD
E10	Fel i värmekrets	1. Kontrollera att toaletten är monterad i enlighet med specifikationen. 2. Nollställ bimetall-termostaten enligt beskrivningen i avsnitt 5 3. Nollställ toaletten enligt beskrivningen i avsnitt 5 4. Kontakta en serviceverkstad om felet kvarstår.
E11	Fel på temperatursensor	1. Nollställ toaletten enligt beskrivningen i avsnitt 5. 2. Kontakta en serviceverkstad om felet kvarstår.
E12	Temperaturen i toaletthöljet är för hög	1. Se till att toaletten monterats enligt specifikationen och att luften kan flöda fritt. 2. Nollställ toaletten enligt beskrivningen i avsnitt 5. 3. Kontakta en serviceverkstad om felet kvarstår.
E13	Fläkten fungerar inte som avsett	1. Nollställ toaletten enligt beskrivningen i avsnitt 5. 2. Kontakta en serviceverkstad om felet kvarstår.
E15 E16 E17	Fel på lucka	1. Öppna och stäng locket så att "start"-knappen börjar lysa grönt. Tryck sedan in den för att göra toaletten redo för ett nytt besök. 2. Om felet kvarstår – nollställ toaletten, sätt i en toalettpåse och håll tre koppar vatten i den, stäng locket och tryck på start. 3. Om felet kvarstår – vänta tills toaletten har svalnat (fläkten stannat), starta om toaletten och välj "Unjam hatch" i servicemenyn. Avlägsna manuellt eventuella föremål som fastnat. 4. Kontakta en serviceverkstad om felet kvarstår.
E22	230 V-anslutning kunde inte kännas av.	1. Se till att toaletten är ansluten till en strömkälla, se beskrivning i avsnitt 2.6. 2. Kontakta en serviceverkstad om felet kvarstår.
E24	Frontluckan kunde inte öppnas.	1. Se till att det inte är något som hindrar frontluckan från att öppnas. 2. Tryck försiktigt på luckan för att kontrollera om den sitter löst. 3. Försök lossa luckan manuellt enligt beskrivningen i avsnitt 3.8.1. 4. Kontakta en serviceverkstad om problemet kvarstår.
E25	Fel på höljets temperatursensor	1. Nollställ toaletten enligt beskrivningen i avsnitt 5. 2. Kontakta en serviceverkstad om felet kvarstår.

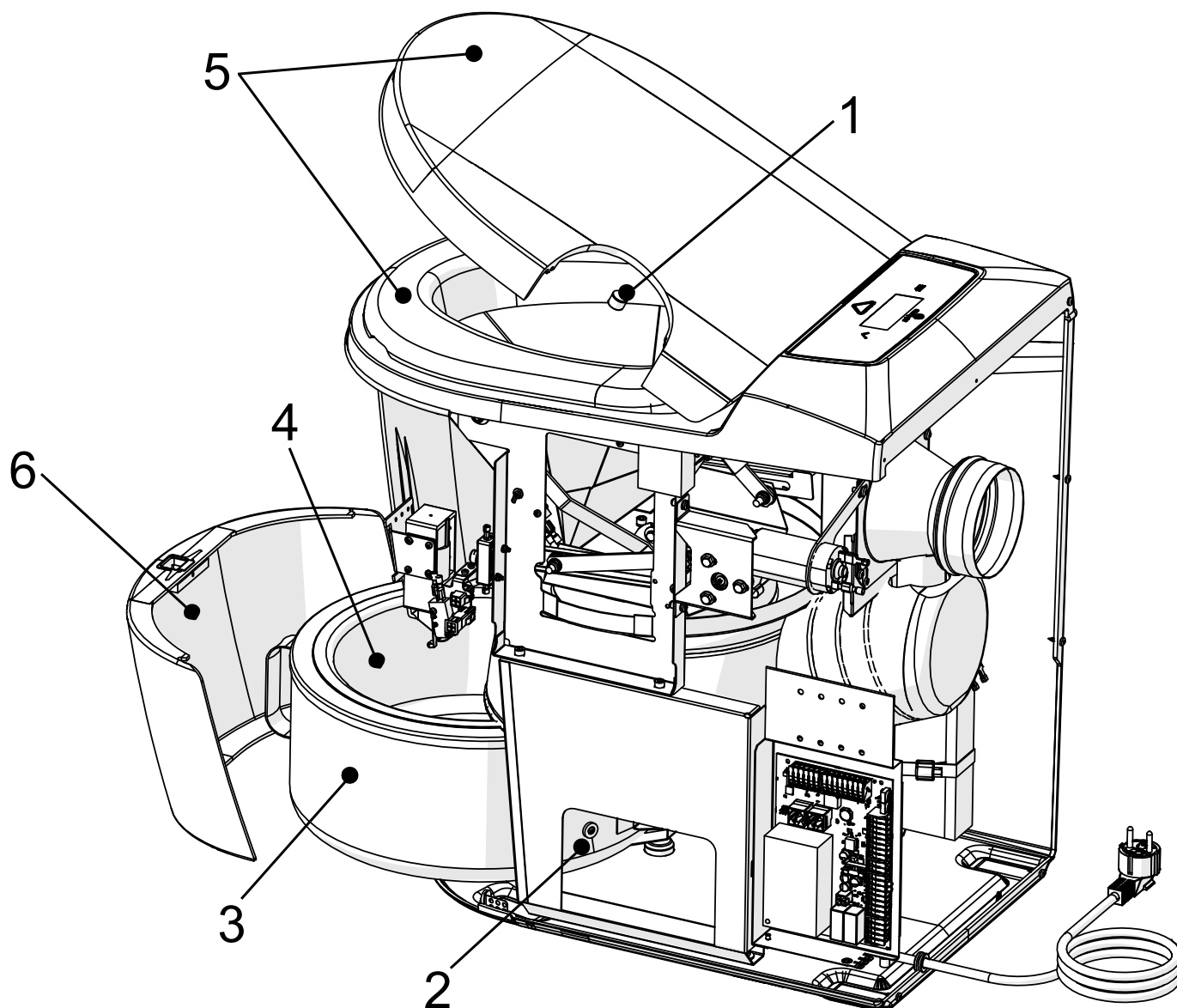


OBS!

Det kan visas felkoder som inte listas här. Om en sådan visas – försök nollställa toaletten. Om detta inte avhjälper problemet bör du kontakta en serviceverkstad och uppge felkoden.

6. REPARATIONER OCH RESERVDELAR

6.1 LISTA ÖVER RESERVDELAR



ID	ARTIKELNAMN	ART. NR
1	Magnet 14x10 mm	100433
2	Magnet 14x7 mm	100065
3	Askskåle	101713
4	Askskålens insats	100014
5	Lock & sittring	101669
6	Frontlucka	101695

6.2 TEKNIK OCH FUNKTION

Cinderellaprodukten är utformad för att vara felsäker. Om en komponent fungerar felaktigt eller det förekommer felsignaler försätts toaletten i "säkerhetsläge". Det innebär att det inte går att starta en förbränning och ett felmeddelande visas på displayen. Alla komponent- och/eller signalfel registreras och systemet försätts i säkerhetsläge.

Produkten är utrustad med magnetssensorer som kontrollerar både toalettlocket och askskålen. Dessa sensorer är normalt öppna och sluts när de kommer i kontakt med magneterna på utsidan av behållaren respektive på undersidan av toalettlocket.

När locket fälls upp börjar fläkten att ventilera systemet. Efter varje användning startas en ny förbränning när startknappen på kontrollpanelen trycks in. Toalettpåsen med innehåll faller ner från toalettskålen till förbränningskammaren där det sker en säker förbränning i hög temperatur.

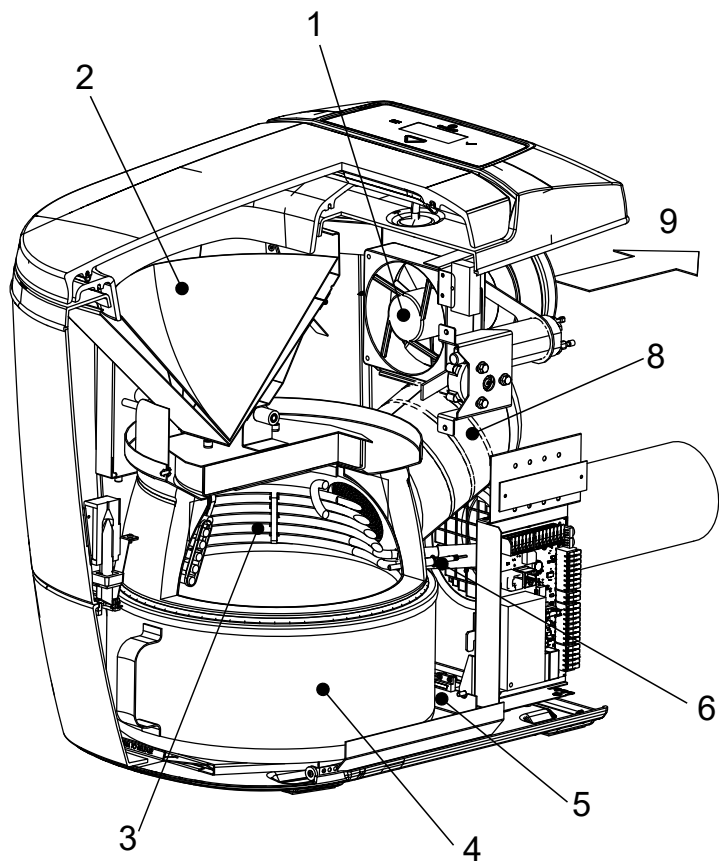
Luckmekanismen styrs av två mikrobrytare, en som registrerar när luckan är i öppet läge, och en som registrerar när luckan är i stängt läge.

Det syre som krävs för en effektiv förbränning kommer från den luft som tillförs till toaletten. Värme leds ut via ventilationsröret. All rök och ånga leds genom en värmeaktiverad platinakatalysator, vilket minskar utsläppen och lukten.

Temperaturen inuti förbränningskammaren övervakas av ett temperatursensor som sitter inuti kammaren, medan temperaturen innanför toalettens skal övervakas av via en termostat av bimetall som sitter monterad innanför toaletttramen.

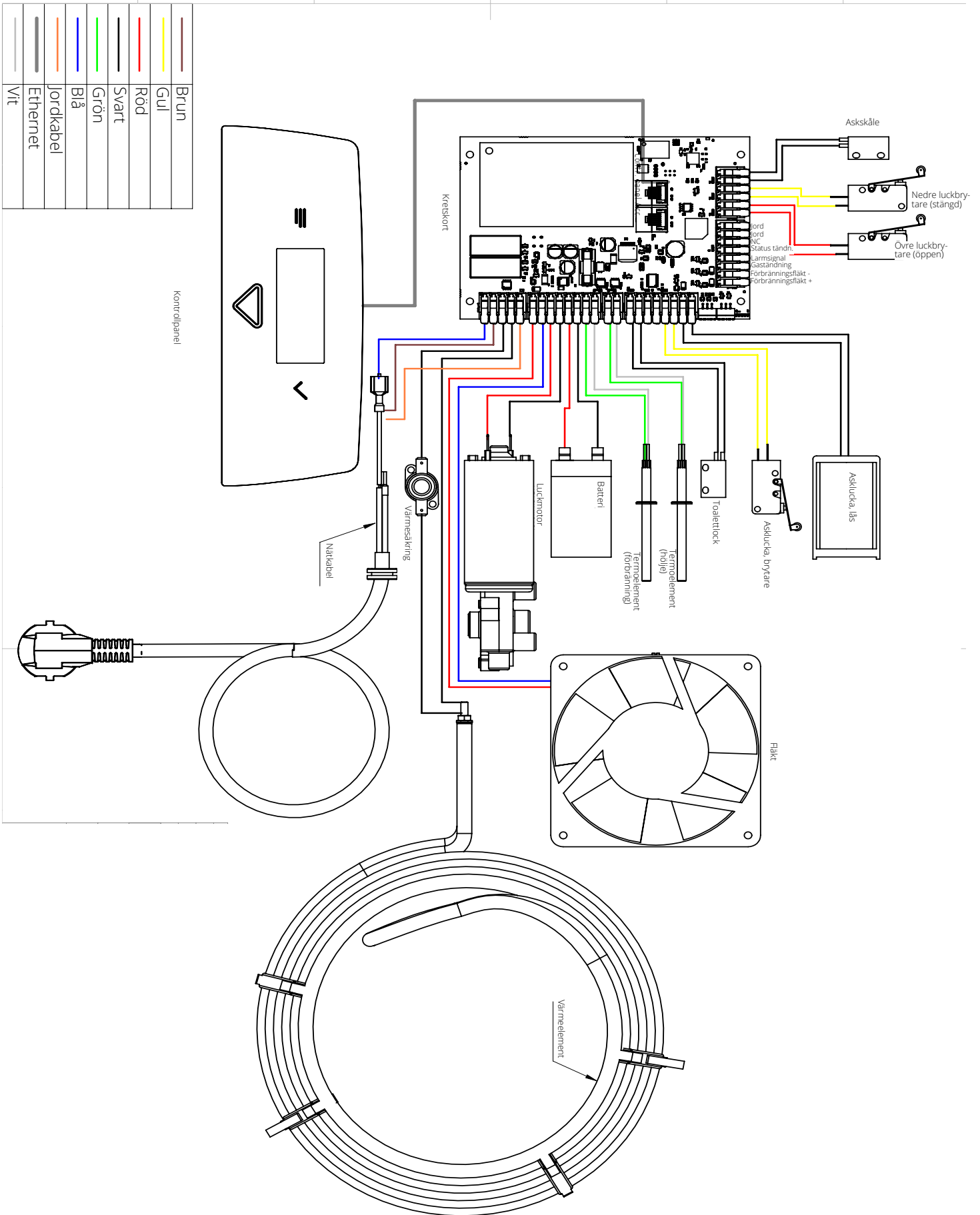
Förbränningen kan ta 40–180 minuter och processen kontrolleras automatiskt av sensorer. Toaletten kan användas även när förbränning pågår. Förbränningsprocessen pausas när locket öppnas och återaktiveras automatiskt när locket stängs. Det finns flera säkerhetsfunktioner som garanterar en säker drift. Se avsnitt 3.4 i denna bruksanvisning.

6.3 PRODUKTRITNING



ID	BESKRIVNING
1	Axiell fläkt
2	Toalettpåse placerad i skål
3	Värmeelement
4	Askskåle
5	Magnetssensor
6	Temperatursensor
7	Luftintag
8	Katalysator
9	Frånluft

6.4 KOPPLINGSSCHEMA



7. GARANTI

Vad omfattas av garantin?

Denna garanti omfattar material- och tillverkningsfel på Cinderellas förbränningstolett, i enlighet med villkoren samt under den period och med de undantag som anges nedan.

Vad omfattas inte av garantin?

Garantin täcker inte normalt slitage eller skador som orsakats av olyckor (inklusive brand, översvämning, hårt väder eller andra naturhändelser), felaktig användning, underlåtenhet att följa tillverkarens instruktioner eller otillräckligt underhåll. Följdsador täcks inte av denna garanti. Cinderella Eco Group erbjuder ingen "på plats"-garanti. Det innebär att toaletten måste transporteras till en auktoriserad serviceverkstad för service. Om detta inte är möjligt kan servicefirman ta ut en transport- eller reseavgift.

Hur länge gäller garantin?

För konsumenter gäller garantin i tre (3) år från inköpsdatum. Vid professionellt bruk gäller ett (1) års garanti.

Hur hanterar Cinderella Eco Group garantiärenden?

Om du lämnar in ett garantianspråk som är giltigt enligt dessa villkor kommer Cinderella Eco Group antingen reparera, ersätta eller återbetala inköpspriset på din Cinderella förbränningstolett.

Hur beställer jag service?

Kontakta din återförsäljare eller en auktoriserad serviceverkstad i det land där du bor. Vilka servicealternativ som finns tillgängliga skiljer sig åt mellan olika länder.

Du kan behöva lämna in relevanta inköpsbevis när du åberopar garantin. Mer information om garantin finns på vår webbplats: www.cinderellaeco.com

Cinderella Eco Group AS

Sjøvikvegen 67, 6475 Midsund, Norge
www.cinderellaeco.com

SISÄLTÖ

1. YLEISTÄ

1.1 JOHDANTO	3
1.2 MÄÄRÄYSTEN MUKAINEN KÄYTTÖTARKOITUS	3
1.3 KÄYTTÖOHJEKIRJA	3
1.4 VASTUUVARAUMA	3
1.5 HYVÄKSYNNÄT JA SERTIFIKAATIT	3
1.6 KÄYTTÖYMPÄRISTÖN	3
1.7 YLEISET TURVALLISUUSOHJEET	4
1.8 ARVOKILPI	5
1.9 CINDERELLA ONLINE	5

2. ASENNUS

2.1 CINDERELLA-POLTTOKÄYMÄLÄN PURKAMINEN PAKKAUKSESTA	6
2.2 MITAT	6
2.3 CINDERELLA-KÄYMÄLÄN ALKUPERÄISET ASENNUSSARJAT	7
2.4 ASENNUSOHJEET	8
2.4.1 OSAT JA MATERIAALIT	8
2.4.2 CINDERELLA-POLTTOKÄYMÄLÄN ASENNUS	8
2.4.3 SAVUHORMIEN ASENNUS	9
2.4.4 VAAKASUUNTAISEN KORVAUSILMAPUTKEN ASENNUS	10
2.4.5 CINDERELLAN PIIPUNHATUN ASENNUS	11
2.5 SÄHKÖTEKNISET TIEDOT JA VAATIMUKSET	11
2.6 ASENNUKSEN TARKASTUSLISTA	12
2.7 TOIMIVUUSTESTAUS	12

3. KÄYTTÖOHJEET

3.1 LAITTEEN KÄYTTÖTARKOITUS JA KÄSITTELY	13
3.2 YLEISTÄ TURVALLISUUSTIETOA	13
3.3 TURVATOIMET	13
3.4 CINDERELLA PREMIUM -POLTTOKÄYMÄLÄN TURVALLISUUSOMINAISUUDET	13
3.5 TIETOA KÄYTTÄJÄLLE	14
3.6 KÄYMÄLÄN KÄYTTÖ	15
3.6.1 OHJAUSPANEELI	15
3.6.2 ALOITUSNÄKYMÄ	15
3.6.3 VALIKOIDEN SELAAMINEN	16
3.7 CINDERELLA PREMIUM -POLTTOKÄYMÄLÄN KÄYTTÖ	17
3.8 ETULUUKUN JA TUHKASÄILIÖN KÄYTTÖ	18
3.8.1 ETULUUKUN AVAAMINEN MANUAALISESTI	19
3.9 PEREHDYTYS LAITTEISTON KÄYTTÖÖN	19

4. YLEISET HUOLTO-OHJEET

4.1 TUHKAN KOOSTUMUS	20
4.2 KUNNOSSAPITO	21
4.2.1 TUHKASÄILIÖN TYHJENNYS JA PUHDISTUS	21
4.2.2 KATALYSAATTORIN HÖYRYPUHDISTUS	21
4.2.3 KÄYMÄLÄN ALTAAN PUHDISTUS	22
4.2.4 KATALYSAATTORIN TARKISTUS	23
4.2.5 SAVUHORMIN LIITÄNNÄN PUHDISTUS	23
4.2.6 KATALYSAATTORIN HUUHTELU KUUMALLA VEDELLÄ	24

5. VIANETSINTÄ JA USEIN KYSYTTYÄ

5.1 VIANETSINTÄTAULUKKO	26
-------------------------	----

6. KORJAUS JA VARAOSAT

6.1 VARAOSALUETTELO	28
6.2 LAITTEISTOPROSESSIN YLEISKUVA	29
6.3 TEKNINEN PEREHDYTYS	29
6.4 KYTKENTÄKAAVIO	30

7. TAKUU

31

1. YLEISTÄ

1.1 JOHDANTO

Cinderella-polttokäymälän toimivuuden varmistamiseksi on huolehdittava riittävästä ilmanvaihdosta tämän ohjeen mukaisesti. Vääränlainen asennus saattaa johtaa toimintahäiriöön, kulumiseen tai hajunmuodostukseen, ja se mitätöi takuun. Polttokäymälän asennuksessa on noudatettava asennusmaan määräyksiä.

1.2 MÄÄRÄYSTEN MUKAINEN KÄYTTÖTARKOITUS

Tämä laite on tarkoitettu virtsan ja ulosteen sekä pienten hygienia tuotteiden, kuten tamponien ja alkoholittomien vauvan tai kasvojen puhdistuspyyhkeiden, polttamiseen.

1.3 OHJEKIRJA

Lue tämä ohjekirja huolellisesti ennen asennusta ja ensimmäistä käyttökertaa. Säilytä ohjeet myöhempää tarvetta varten. Jos luovutat polttokäymälän jollekulle muulle, toimita tämä ohjekirja sen mukana.

Tässä ohjekirjassa opastetaan tuotteen oikeanlainen asennus, käyttö ja huolto. Sekä asentajan että käyttäjän on tärkeää lukea tämä ohjekirja. Ohjekirja sisältää myös tietoa ammattilaisella teetettävistä ylläpito-, huolto- ja korjaustoimista.

Tämän ohjekirjan sähköinen versio ja lisätietoa on osoitteessa www.cinderellaeco.com.

1.4 VASTUUVARAUMA

Tämä käyttöohje on laadittu asianmukaisten standardien ja määräyksien sekä nykyisen tekniikan mukaisesti. Cinderella Eco Group AS pidättää oikeuden tehdä sisältöön muutoksia milloin tahansa tuotteen ja turvallisuuden parantamiseksi.

Valmistaja ei vastaa vahingoista seuraavissa tilanteissa:

- Väärin tehty asennus
- Väärään jännitteeseen kytkemisestä aiheutuva tuotteen vahingoittuminen
- Tuotteeseen ilman valmistajan nimenomaista lupaa tehdyt muutokset
- Muu kuin tämän ohjekirjan mukainen käyttö
- Käyttö- ja huolto-ohjeiden laiminlyönti
- Määräysten vastainen käyttö
- Muiden kuin alkuperäisten suojaussien ja varaosien käyttö

1.5 HYVÄKSYNNÄT JA SERTIFIKAATIT

NEMKO on testannut Cinderella Premium -polttokäymälän perusteellisesti eurooppalaisen sähköturvallisuustandardin ja sähkömagneettisen yhteensopivuusstandardin mukaisesti.

1.6 KÄYTTÖYMPÄRISTÖ

- Käyttölämpötila: -20°C – +40 °C
- Käyttökorkeus: Testattu 2 500 metrin korkeudessa



HUOMIO!

Cinderella-polttokäymälä tulee asentaa siten, että vähimmäisetäisyys palaviin rakenteisiin on: sivuilla 50 mm, takana 50 mm.

1.7 YLEISET TURVALLISUUSOHJEET



VAARA!

Turvallisuusohjeet: Ohjeiden huomiotta jättäminen voi aiheuttaa vakavan vamman tai hengenvaaran.



VAROITUS!

Turvallisuusohjeet: Ohjeiden huomiotta jättäminen voi aiheuttaa vakavan vamman.



HUOMIO!

Ohjeiden huomiotta jättäminen voi aiheuttaa aineellisia vahinkoja tai heikentää tuotteen toimivuutta.



HUOMAUTUS!

Lisätietoa tuotteen käyttämisestä.



VAARA!

- Älä suihkuta aerosoleja käynnissä olevan laitteen läheisyydessä.
- Älä säilytä herkästi syttyviä materiaaleja laitteessa tai sen lähellä.
- Älä sijoita esineitä laitteen päälle tai nojaamaan laitteeseen.
- Älä tee laitteeseen muutoksia.



VAARA!

- Jos polttokäymälässä on näkyviä vaurioita, älä käytä sitä.
- Jos polttokäymälän virtajohto on vioittunut, valmistajan, asiakaspalvelun tai muun koulutetun ammattilaisen on vaihdettava se uuteen vaaratilanteiden ehkäisemiseksi.
- Polttokäymälän korjaustyöt saa tehdä vain koulutettu ammattilainen. Väärin tehdyistä korjaustoista voi aiheutua vakavia vaaratilanteita.
- Polttokäymälää saa käyttää vain sen takapuolella olevaan arvokilpeen merkityllä jännitteellä.



VAROITUS!

- Puristumisvaara! Älä laita kättä saranalle tai istuinkansien alle kansien ollessa auki, sillä istuinkannet eivät sulkeudu pehmeästi.
- Älä tyhjennä tuhkasäiliötä sisällön ollessa kuumaa.
- Varmista ennen käynnistämistä, että virtajohto ja pistoke ovat kuivat.
- Älä käytä tätä tuotetta, ennen kuin olet lukenut tämän käyttöohjeen huolellisesti ja ymmärrät kaikki sen sisältämät ohjeet ja turvallisuussäännöt. Sästä tämä käyttöohje ja palaa siihen säännöllisesti, jotta osaat käyttää laitetta turvallisesti ja neuvoa mahdollisia muita käyttäjiä.







HUOMIO!

- Käymälää kannettaessa sitä tulee pitää kiinni rungosta. Älä kanna virtajohdosta, etulukuusta, istuinkansista tai poistoaukosta.
- Ylikuumenemisvaara! Huolehdi aina riittävästä ilmanvaihdosta, jotta polton aikana syntyvä lämpö ja palokaasut pääsevät haihtumaan savuhormin kautta. Huolehdi järjestelmän hyvästä ilmankierrosta. Huolehdi aina käymälän riittävästä ilmanvaihdosta. Varmista, että käymälä on riittävän etäisyyden päässä seinistä ja muista kohteista, jotta ilma pääsee kiertämään.

1.8 ARVOKILPI

Laitteen arvokilpi sijaitsee polttokäymälän vasemmassa alakulmassa. Se sisältää laitteen mallin ja tyyppin, tekniset tiedot ja tukitiedot. Näitä tietoja tarvitaan, kun otat yhteyttä asiakaspalveluun tai tilaat varaosia.

 Cinderella Eco Group AS Sjøvikvegen 67, 6475 Midsund, NORWAY For sales/support visit: www.cinderellaeco.com CINDERELLA PREMIUM MODEL: EM03CS10 SERIAL:	Appliance Specifications VOLTAGE..... 220-240 V AC 50-60Hz CURRENT 9 A HEATING ELEMENT:..... 2000W EL MOTOR: 12 V DC BATTERY: 12 V DC 2,6 Ah FAN BLOWER..... 12 V DC PROTECTION CLASS..... IP 34 CAPACITY..... 4 VISITS PR. HOUR CIRCUIT BOARD..... E6 YEAR OF MANUFACTURING..... 2023 DESIGNED FOR STATIONARY STRUCTURES	  
---	---	--

1.9 CINDERELLA ONLINE



TUOTTEEN REKISTERÖINTI

Kun rekisteröit polttokäymälän My Cinderella -palvelussa, saat tietoa tuotteista ja tuotetuesta sekä käymälämalliisi liittyviä tarjouksia. Jos tuote varastetaan, rekisteröityjen tuotteiden tiedot ovat tietokannassamme.

Vianetsintä verkossa

Kattava polttokäymälän ohjeisto, josta saat hyödyllisiä neuvoja ja käyttäjän tehtävissä olevia korjausohjeita ja jonka avulla pystyt ratkaisemaan tavallisimman vikatilanteet ilman tukipalveluun soittamista.

Tietojen saatavuus

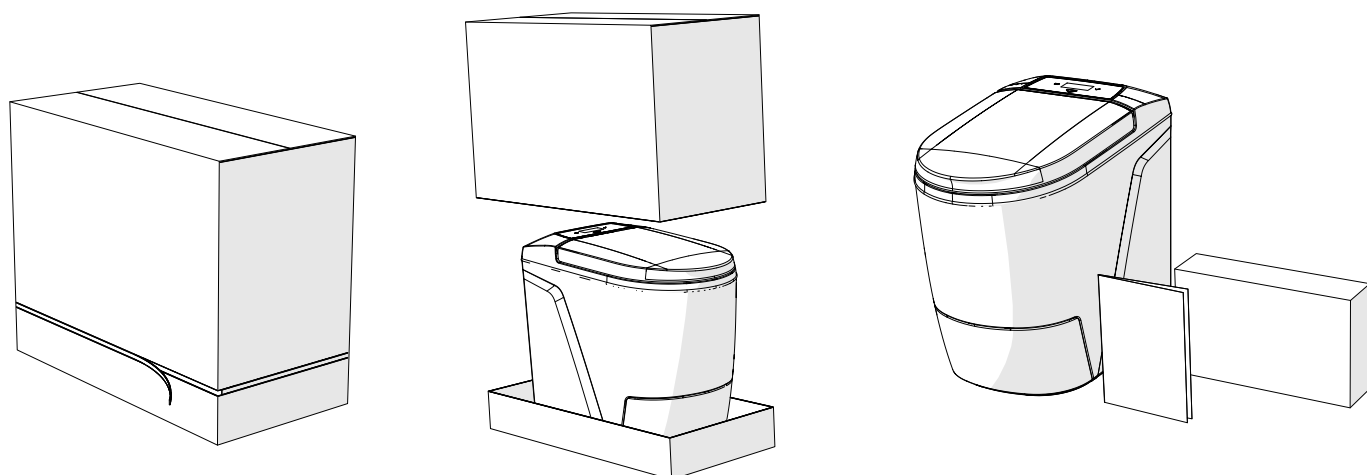
Tuotteesi dokumentaatio on ladattavissa verkosta dokumentaatiokeskuksesta.

Huolto ja varaosat

Kun valitset maan, saat huoltoa ja varaosia tarjoavien paikallisten jälleenmyyjien tiedot.

2. ASENNUS

2.1 CINDERELLA-POLTTOKÄYMÄLÄN PURKAMINEN PAKKAUKSESTA



HUOMAUTUS!

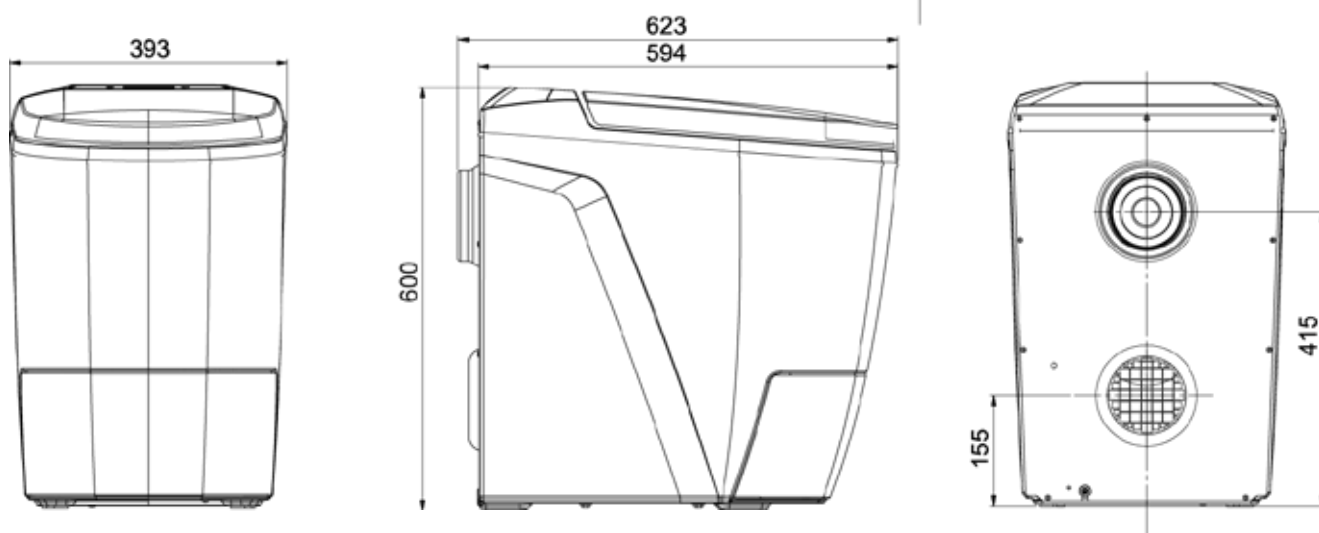
Avaa Cinderella-polttokäymälän pakkaus sen alaosassa olevasta avausnauhasta. Avaa nauha koko matkalta ja poista laatikon yläosa.

TOIMITUSSISÄLTÖ	MÄÄRÄ
Cinderella Premium	1
Suojapussit	100
Ohjekirja	1

2.2 MITAT

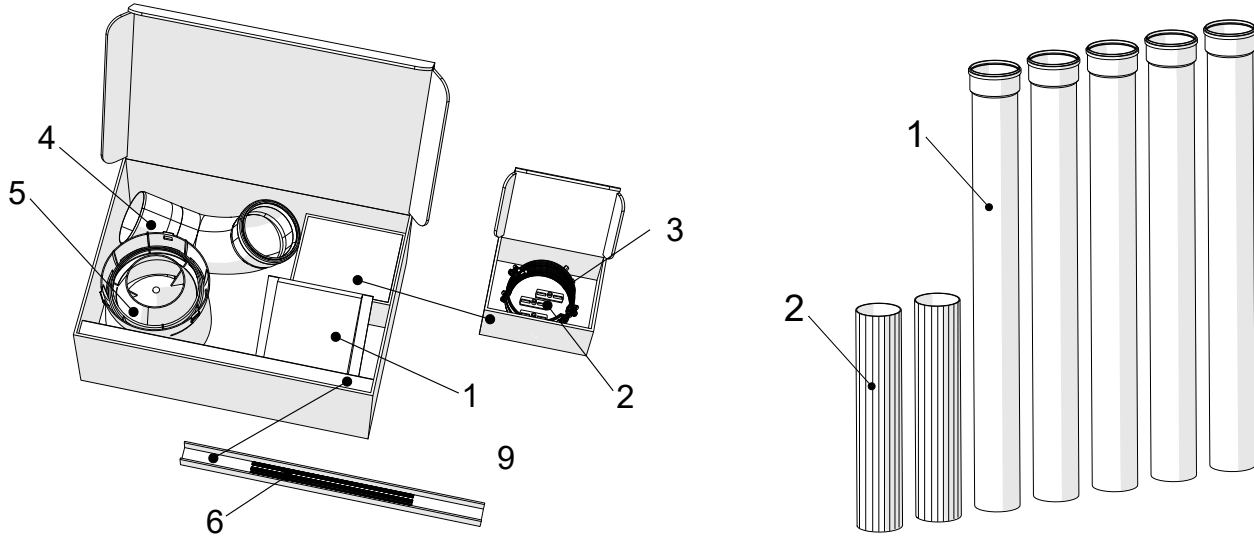
Korkeus	600 mm
Istuinkorkeus	540 mm
Leveys	393 mm
Syvyys	623 mm

Ilmanvaihdon putken ulkoläpimitta	110 mm
Savuhormin keskikohdan korkeus	415 mm
Korvausilmaputken keskikohdan korkeus	155 mm
Paino	33 kg



2.3 CINDERELLA-KÄYMÄLÖIDEN ASENNUSSARJAT

Cinderella-asennussarja: Suosittelemme käyttämään polttokäymälän asennuksessa Cinderella-asennussarjaa. Tämä asennussarja sisältää kaikki tarvittavat osat käymälän asentamiseen, polton optimointiin ja käymälän ihanteellisen toiminnan takaamiseen. Asennussarja koostuu kahdesta pakkauksesta. Pakkaus 1 sisältää optimoidun savuhormin hatun ja mutkaputken, jotka parantavat virtausta ja polton tehokkuutta. Lisäksi se sisältää korvausilmaputken tuulisuojan sekä putkien asennuksessa käytettävät putket ja kiristimet. Pakkaus 2 sisältää laadukkaat 7 x 110 mm:n UV-stabiloidut muoviputket korvaus- ja poistoilmanvaihdon asentamiseen.



CINDERELLA-ASENNUSSARJA PAKKAUS 1		MÄÄRÄ
1	Tuulensuoja	1
2	Seinäkiinnike	3
3	Tukikiristin	3
4	Mutkaputki 87	1
5	Savuhormin hattu	1
6	Kierretanko	3

CINDERELLA-ASENNUSSARJA PAKKAUS 2		MÄÄRÄ
1	Savuhormiputki 1015 mm uros-naaras	5
2	Savuhormiputki 500 mm uros-uros	2



HUOMAUTUS!

- Tässä ohjekirjassa kuvataan polttokäymälän asennus Cinderella-asennussarjan avulla. Jos haluat käyttää Cinderella-polttokäymälän asennuksessa muita kuin alkuperäisiä putkia ja osia, niiden tulee täyttää kohdassa 2.4.1 Osien ja materiaalien tiedot olevat vaatimukset.
- Cinderella-polttokäymälän asianmukaisen toiminnan varmistamiseksi on huolehdittava riittävästä ilmanvaihdosta tämän ohjekirjan ohjeiden mukaisesti. Valmistajan ohjeista poikkeava asennus ja muiden kuin vaatimukset täyttävien osien käyttäminen laitteen asentamisessa aiheuttaa laitteen toimintahäiriöitä, kulumista ja hajunmuodostusta sekä mitätöi takuun.

2.4 ASENNUSOHJEET

2.4.1 OSAT JA MATERIAALIT

OSA	TEKNISET TIEDOT
Ilmanvaihtoputket	Cinderella Premium -polttokäymälän asennuksessa tulee käyttää 110 mm:n putkia, joissa on sileä sisäpinta ja joiden sisähalkaisija on vähintään 102 mm. Putken materiaalin tulee kestää yli 100 °C:n lämpötilaa ja olla mieluiten PP- tai CPVC-materiaalia. Suosittelemme käyttämään Cinderellan alkuperäisiä PP-putkia.
Mutkaputki (poistoilma)	Cinderella Premium -polttokäymälän asennuksessa tulee käyttää sileää mutkaputkea, joka rajoittaa ilmavirtaa mahdollisimman vähän. Suosittelemme käyttämään Cinderellan alkuperäistä mutkaputkea 87°.
Piipunhattu	Cinderella Premium -polttokäymälän asennuksessa on käytettävä piipunhattua, joka estää sadeveden pääsyn käymälään ja joka rajoittaa ilmavirtaa mahdollisimman vähän. Cinderella-polttokäymälän ilmanvaihdossa ei saa käyttää tuulituulettimia tai vastaavia. Suosittelemme käyttämään Cinderellan alkuperäistä piipunhattua.



HUOMAUTUS!

- Savuhormin sisäpinnan tulee olla sileä. Se ei saa olla kohokuvioitu tai uritettu.
- Mutkaputki tulee asentaa siten, että siihen pääsee käsiksi ja tyhjennysputki voidaan huuhdella ja poistoputki puhdistaa.
- Cinderella Premium soveltuu kylpyhuoneissa ja märkätiloissa käytettäväksi (IP-luokka 34), mutta käymälän ulkopintoja ei saa altistaa vesiroiskeille.
- Käymälä tulee sijoittaa tukevalle ja tasaiselle alustalle. Cinderella-polttokäymälän saa asentaa lämmitetylle lattialle.

2.4.2 CINDERELLA-POLTTOKÄYMÄLÄN ASENNUS

Cinderella-polttokäymälän toimivuuden varmistamiseksi on huolehdittava riittävästä ilmanvaihdosta tämän ohjeen mukaisesti. Vääränlainen asennus saattaa johtaa toimintahäiriöön, kulumiseen tai hajunmuodostukseen, ja se mitätöi takuun. Lue koko asennusohje huolellisesti kohta kohdalta ennen asentamisen aloittamista. Asennuksen saa tehdä vain koulutettu ammattilainen, ja asennus tulee tehdä paikallisten määräysten mukaisesti.



HUOMIO!

Cinderella Premium -käymälällä on oltava oma poistoilmaputkensa, eikä Cinderella Premium -käymälän ilmanvaihtoon saa asentaa seuraavia:

- Tuulituulettimet ja vastaavat korvaamaan piipunhattua
- Cinderella-polttokäymälän asennuksessa ei saa käyttää taipuisia putkia.
- Putket, joiden sisähalkaisija on alle 102 mm.
- Mutkaputken lisäksi asennuksessa ei saa käyttää muita 90 asteen mutkaputkia.
- Savuhormissa ei saa käyttää verkkoa, sillä se voi rajoittaa järjestelmän ilmanvaihtoa.



HUOMIO!

- Laite tulee asentaa käyttömaan määräysten mukaisesti. Suosittelemme kääntymään jälleenmyyjän puoleen asennuksen suunnittelussa ja asentamisessa.
- Mahdolliset katon läpiviennit on tehtävä rakentamismääräysten mukaisesti.

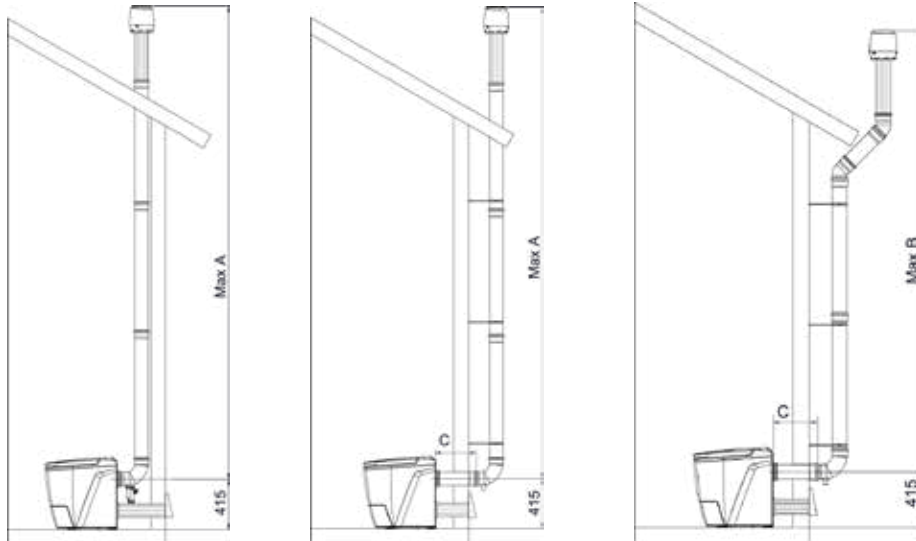


VAROITUS!

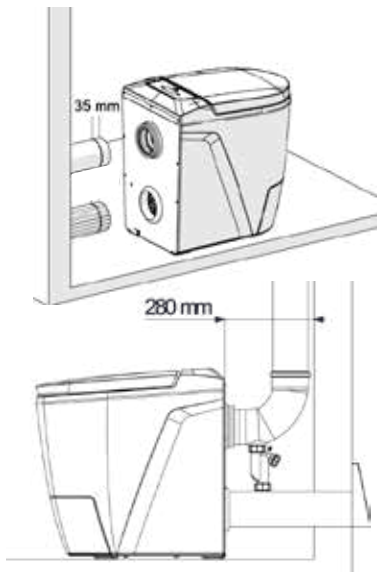
Tarkista aina ennen läpivientien tekemistä, että kohdassa ei ole sähköjohtoja tai vesiputkia.

2.4.3 SAVUHORMIEN ASENNUS

SAVUHORMIN Ø	PUTKEN SUUNTA	KUVASSA	MUTKAT	PUTKEN ENIMMÄISPITUUS
110 mm	Savuhormi (vaaka)	C	(ei sallittu)	1000 mm
110 mm	Savuhormi (pysty)	A	-	6000 mm
110 mm	Savuhormi (pysty)	B	2 x 45° mutka	5000 mm



HUOMAUTUS!
Savuhormin liitännän keski-
kohdan tulee olla
415 mm lattian
pinnan yläpuolella.



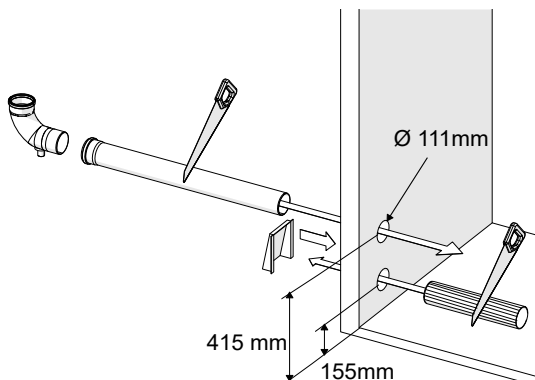
HUOMAUTUS!

Vaakasuuntaisen putken pituutta määritettäessä on otettava huomioon, että putki menee 35 mm laitteen liitoskohdan sisään.



HUOMAUTUS!

Pystyputken asennuksen yhteydessä on otettava huomioon, että laitteen vähimmäisetäisyyden seinästä on oltava 280 mm.



HUOMAUTUS!

Cinderella-asennussarja sisältää viisi 1015 mm:n putkea poistoilmavaihdon asentamiseen. Putkien mukana toimitetaan asennusta helpottavat istukat ja tiivisteet. Jos putki asennetaan ulkoseinään, se on asennettava ulkoa sisälle päin.



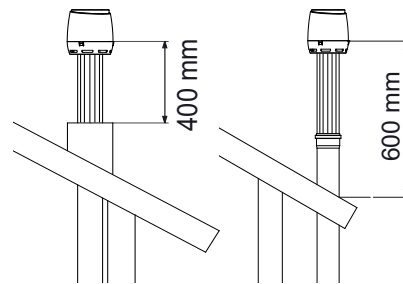
HUOMAUTUS!

Järjestelmän savuhormin liitäntä on suunniteltu liitettäväksi 110 mm:n laadukkaisiin muoviputkiin, joiden sisäläpimitta on vähintään 102 mm. Putken tulee mennä 35 mm käymälän savuhormin liitäntään. Putkea liitettäessä ei saa käyttää liiallista voimaa, sillä se voi vahingoittaa laitetta.



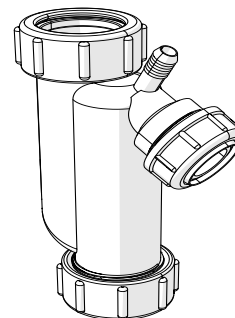
HUOMAUTUS!

- Katon päällä putken on aina oltava pystysuorassa ja putken pään on oltava vähintään 600 mm katon pinnan yläpuolella. Jos putki on koteloitava (esimerkiksi metallikotelolla), putken pään on oltava vähintään 400 mm kotelon yläpuolella.
- Jos asennus tehdään alueella, jolla lumikertymä on todennäköisesti suuri, putken pää voi tulla korkeammallekin, ja putki on kiinnitettävä tukevasti. Putken pituus ei kuitenkaan saa ylittää putken suurinta sallittua enimmäispituutta.



HUOMAUTUS!

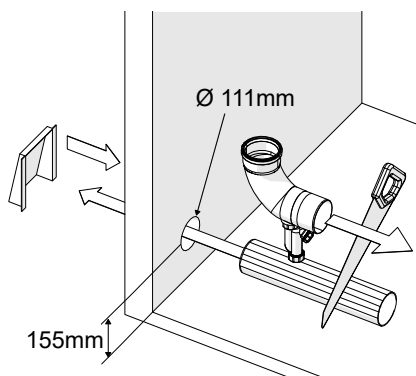
Cinderellan valikoimassa on asennussarjan mukana toimitettavaan mutkaputkeen sopiva kondenssiveden keräin, jonka voi ostaa Cinderellan jälleenmyyjältä. Jos asennus tehdään sisältä päin, kondenssiveden keräin on liitettävä mutkaputkeen, jotta kondenssi- ja sadevettä ei kerry lattialle. Jos kondenssivettä ei kerätä ja säiliötä tyhjennetä säännöllisesti, lattia voi vaurioitua.



2.4.4 VAAKASUUNTAISEN KORVAUSILMAPUTKEN ASENNUS

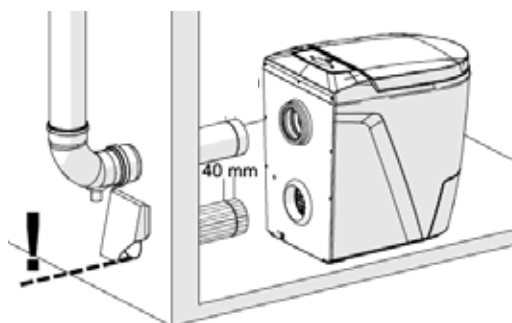
Polttokäymälän korvausilman riittävydestä on huolehdittava. Siksi suosittelemme asentamaan Cinderella Premiumn korvausilmaputken. Korvausilman syöttäminen ulkoa laitteeseen on välttämätöntä jäähdytyksen, ilmankierron ja polttoprosessissa tarvittavan hapen saamiseksi. Jos korvausilman tai hapen saanti on heikkoa, polttotulokset ovat huonot, tehokkuus heikkenee ja laite voi ylikuumentua. Heikot polttotulokset aiheuttavat ajan mittaan laitteen kulumista ja mitätöivät takuun.

KORVAUSILMAPUTKEN ULKOHALKAISUJA	KORKEUS, IMUPUTKEN PUOLIVÄLI	KORVAUSILMAPUTKEN SUUNTA	PUTKEN ENIMMÄISPITUUS
110 mm	155 mm	Vaaka	1000 mm



HUOMAUTUS!

- Korvausilmaputken liitännän keskikohdan tulee olla 155 mm lattian pinnan yläpuolella.
- Cinderella-asennussarja sisältää kaksi 500 mm:n putkea korvaus- ja poistoilmaputkien sekä savuhormin hatun asentamiseen. Korvausilmaputken pituutta määritettäessä on otettava huomioon, että putki menee 40 mm laitteen liitoskohdan sisään.



HUOMAUTUS!

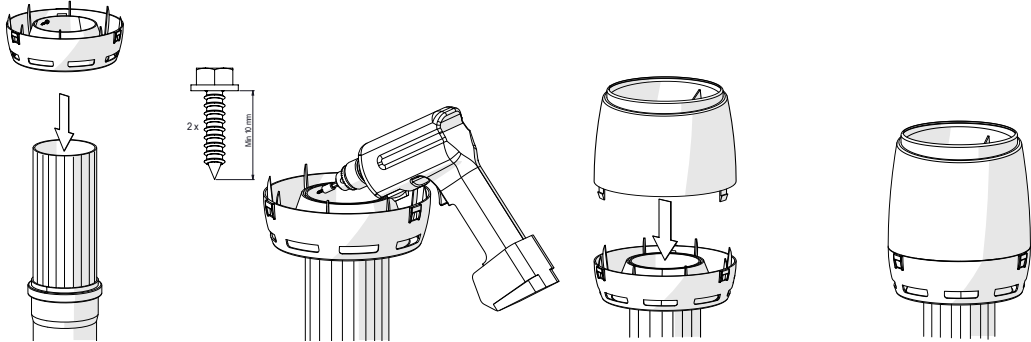
Tuulensuojaa ulkoseinään asennettaessa on varmistettava, että putki on asennettu tuulensuojan pohjan tasoon. Virheellinen asennus saattaa johtaa ilmankierron rajoittumiseen, minkä seurauksena polttotulokset voivat olla huonot, tehokkuus heiketä ja laite ylikuumentua.

2.4.5 CINDERELLAN PIIPUNHATUN ASENNUS



HUOMAUTUS!

Cinderella-asennussarja sisältää piipunhatun, joka takaa ihanteellisen ilmanvaihdon ja tehostaa laitteen toimintaa. Hattu koostuu pohjaosasta ja hatusta. Pohjaosa voidaan kiinnittää putkiin ruostumattomilla teräsruuveilla tai liimalla, mikä helpottaa asentamista ja tekee ilmanvaihtoputkista huoltovapaita. Käytä Cinderella-asennussarjan 500 mm:n putkea savuhormin viimeisenä osana, sillä se sisältää hatun liitännän.



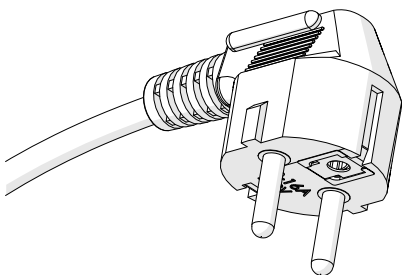
2.5 SÄHKÖTEKNISET TIEDOT JA VAATIMUKSET



VAROITUS!

- Tämän laitteen asennuksessa on noudatettava kansallisia ja paikallisia sähköasennuksia koskevia määräyksiä.
- Laite on liitettävä erilliseen maadoitettuun piiriin, jossa on oikea jännite, taajuus ja virta ja joka on suojattu asianmukaisella sulakkeella.
- Vaadittu jännite, taajuus ja virta löytyvät tästä ohjekirjasta ja tuotteen takana olevasta arvokilvestä.

Tehovaatimukset	SYÖTTÖTEHO	VIRTA	SULAKE
	220–240 V AC	9 A	10 A
Tehonkulutus	VALMIUSTILA		POLTTOILA
	0,5 W		2000 W
Napaisuus	JOHDON POIKKIPINTA	JOHDON PITUUS	PISTOKETYYPPI
	1,5 mm ²	2,3 m	Tyyppi F Schuko CEE 7



HUOMAUTUS!

Käymälä on varustettu 16 ampeerin ja 250 voltin kaksinapaisella ja kolmijohtimisella maadoitetulla tyyppin F Schuko CEE 7/7 -pistokkeella. Jotta se tuottaa laitteelle riittävän virransyötön, se on liitettävä omaan, maadoitettuun piiriinsä, jonka syöttövirta on vähintään 10 A ja 230 V AC.



VAARA!

- Liitäntäjohto on vedettävä siten, että se ei joudu kosketuksiin terävien reunojen kanssa.
- Turvallisuusriskien ehkäisemiseksi laitteen sisäisen sähköasennuksen ja liitäntäjohton muutokset saa tehdä vain koulutettu ammattilainen.
- Cinderella-tuotteen kanssa ei suositella käytettäväksi muuntajaa. Cinderella Premium -polttokäymälän enimmäistehonkulutus on 2000 W, jota laite pystyy ylläpitämään yli tunnin mittaisia aikoja kerrallaan. Muuntajat, joiden tehohuippu on 2000 W, eivät välttämättä pysty ylläpitämään tätä tehoa. Cinderella Premium -polttokäymälän kanssa käytettynä ne voivat ylikuormittaa tai vahingoittaa, mistä voi aiheutua vaaratilanteita.

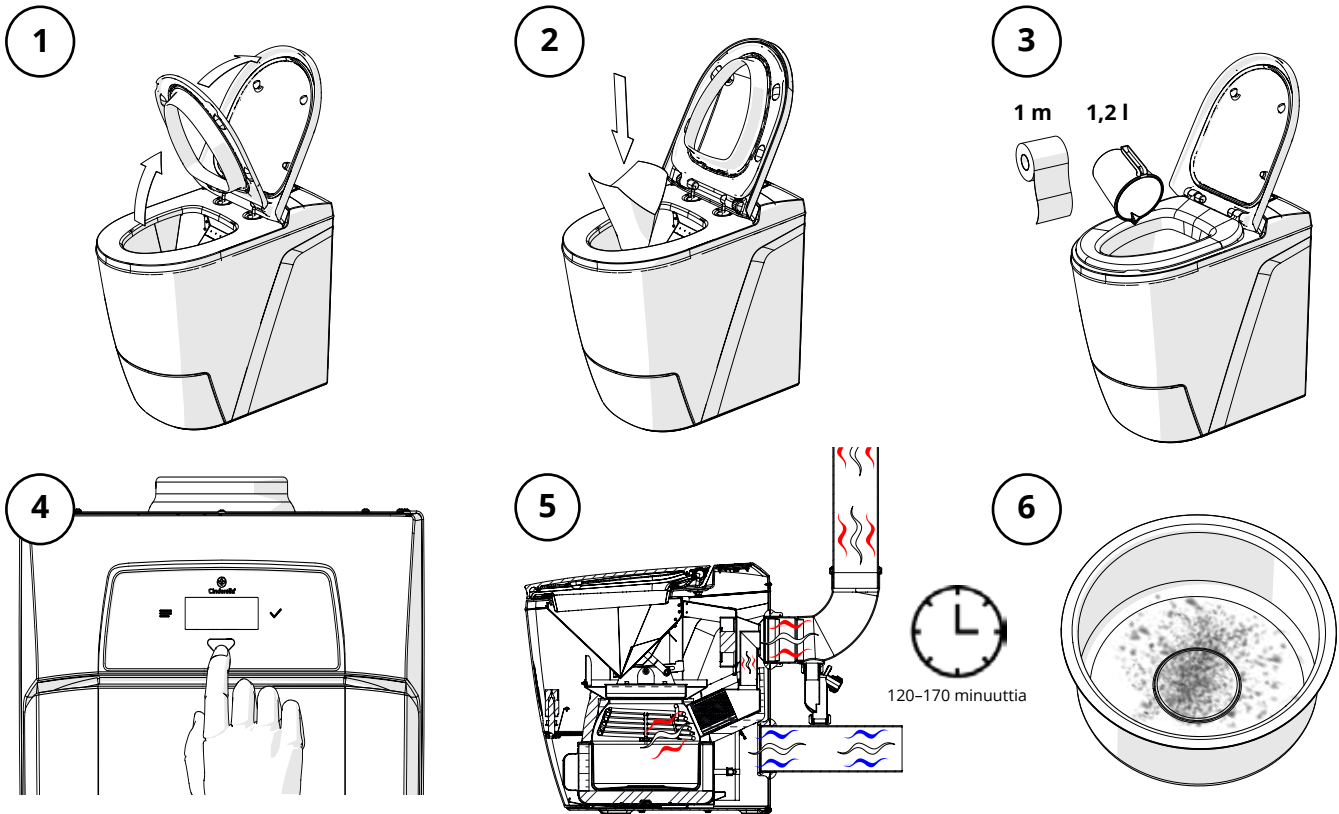
2.6 ASENNUKSEN TARKASTUSLISTA

TARKISTETTAVAT KOHDAT	TARKISTUSMERKKI
Liitäntäjännite on laitteen arvokilven mukainen.	
Liitehormin pituus on määritetty valmistajan määritysten mukaisesti.	
Savuhormin pää on vähintään 600 mm:n etäisyydellä katon pinnasta.	
Kondenssiveden keräin on asennettu tarvittaessa.	
Savuhormin materiaalit on asennettu valmistajan ohjeiden mukaisesti.	
Savuhormin hattu on asennettu valmistajan ohjeiden mukaisesti.	

2.7 TOIMIVUUSTESTAUS

Aseta suojapussi paikalleen ja lisää siihen 1 metri WC-paperia ja 1,2 litraa vettä. Kun käynnistuspainiketta painetaan, polton pitäisi käynnistyä. Toimivuustestissä poltto-ohjelman arvioitu kesto on 120–170 minuuttia. Kun poltto on käynnissä, keltainen valo palaa. Laitteen pitäisi viedä testipolttoloppuun ilman virheilmoituksia tai katkoksia. Tuhkat voi poistaa vasta, kun käymälä on jäähtynyt sen verran, että tuuletin on pysähtynyt. Jäähdytys vie 60–90 minuuttia käyttölämpötilasta riippuen.

Polton tuloksena pitäisi olla vain hienojakoista valkoista tuhkaa. Jos polton tuloksena on jotakin muuta tai polttoaika ylittää 90 minuuttia, savuhormin toiminnassa tai hapen saannissa saattaa olla ongelmia. Tarkista, että asennus on tehty tämän ohjekirjan kohdassa 2 olevien valmistajan ohjeiden mukaisesti.



VAROITUS!

Tuhkasäiliö kuumenee polton aikana erittäin kuumaksi. Irrota tuhkasäiliö vasta, kun käymälä on jäähtynyt kokonaan ja tuuletin on pysähtynyt.



HUOMAUTUS!

Toimintatesti on tarkoitettu tehtäväksi, kun käymälää ei ole käytetty. Jos käymälään on käytetty, testin tulos voi olla erilainen.

3. KÄYTTÖOHJEET

3.1 LAITTEEN KÄYTTÖTARKOITUS JA KÄSITTELY

Cinderella Premium -polttokäymälä on tarkoitettu sisäkäyttöön vapaa-ajanasunnoissa, ulkokäymälöissä, rakennustyömaiden sosiaalituloissa, asuntoveneissä ja uima-allastaloissa. Käymälä on tarkoitettu ainoastaan virtsan ja ulosteen sekä pienten hygieniatuotteiden, kuten tamponien ja alkoholittomien vauvan tai kasvojen puhdistuspyyhkeiden, polttamiseen. Muiden materiaalien ja esineiden polttaminen Cinderella Premium -polttokäymälällä katsotaan väärinkäytökseksi, joka mitätöi takuun. **Älä laita käymälään seuraavia:**

- Suuria määriä mitään paperia
- Klooria sisältäviä puhdistusaineita
- Alkoholilla sisältäviä puhdistuspyyhkeitä
- Sanomalehtipaperia
- Paperipyhkeitä
- Tulenarkoja nesteitä tai aineita
- Tupakansyöttimiä
- Savukkeita tai sikareita
- Bensiiniä
- Alkoholijuomia
- Alkoholilla tai spritiä
- Kynsilakanpoistoainetta
- Sytytysnestettä
- Lamppuöljyä tai kerosiinia
- Aerosolipakkauksia
- Lasi- tai muovipulloja tai -pakkauksia

3.2 YLEISTÄ TURVALLISUUSTIETOA



VAARA!

- Jos polttokäymälässä on näkyviä vaurioita, älä käytä sitä.
- Jos polttokäymälän virtajohto on vioittunut, valmistajan, asiakaspalvelun tai muun koulutetun ammattilaisen on vaihdettava se uuteen vaaratilanteiden ehkäisemiseksi.
- Polttokäymälän korjaustyöt saa tehdä vain koulutettu ammattilainen. Muun tahon kuin koulutetun ammattilaisen tekemä korjaus voi johtaa vaaratilanteeseen tai käymälän vahingoittumiseen.
- Lapset eivät saa puhdistaa tai huoltaa käymälää ilman valvontaa.
- Käymälän huollossa ei saa käyttää räjähdysalttiita tai tulenarkoja puhdistusaineita.



HUOMIO!

- Käymälä on tarkoitettu yksinomaan kehon eritteiden ja pienten hygieniatuotteiden polttamiseen. Näitä tuotteita ovat tamponit, terveystiet sekä vauvojen, kasvojen ja muuhun puhdistamiseen tarkoitettut pyyhkeet.
- Pieniä lapsia on valvottava, kun he käyttävät Cinderella-polttokäymälöitä.

3.3 TURVATOIMET



VAROITUS!

- Käymälän tuhkasäiliö kuumenee polton aikana erittäin kuumaksi. Tyhjennä tuhkasäiliö vasta, kun käymälä on jäähtynyt kokonaan.
- Varo jättämästä sormia tai käsiä istuinkansien alle, sillä ne eivät sulkeudu pehmeästi ja voivat aiheuttaa puristumisvamman.



HUOMIO!

Epätäydellisen polton ja järjestelmän ylikuumentumisen vaara!

- Käytä aina uutta suojapussia, kun käytät käymälää.
- Varmista aina riittävä tuuletus, jotta käytön aikana syntyvä lämpö pääsee haihtumaan.

3.4 CINDERELLA PREMIUM -POLTTOKÄYMÄLÄN TURVALLISUUSOMINAISUUDET

- Poltto keskeytyy, kun käymälän kansi avataan. Poltto käynnistyy uudelleen vasta, kun istuinkannet suljetaan.
- Polttokammion luukku EI VOI avata, kun käymälä on kuuma (esimerkiksi puhdistuksen aikana). Luukku voidaan avata vasta, kun käymälä on jäähtynyt ja tuuletin pysähtynyt.
- Jos polton aikana ilmenee ilmanvaihto-ongelma ja käymälän sisälämpötila nousee yli 105 °C:seen, poltto keskeytyy ja laitteen näytöllä näkyvät virheilmoitus ja vikakoodi. Käymälä on tällöin nollattava ja ilmanvaihto-ongelma korjattava, ennen kuin käymälää voi käyttää.

- Jos tuhkasäiliö laitetaan paikalleen huonosti tyhjentämisen jälkeen, poltto ei käynnisty ja näytöllä näkyy virheilmoitus.
- Jos polttokammion luukun mekanismi menee jumiin tai luukku ei pysty sulkeutumaan kunnolla, poltto ei käynnisty ja näytöllä näkyy virheilmoitus.
- Cinderella Premium -polttokäymälän ohjelmisto valvoo lämpötilaa polton aikana. Jos lämpötila poikkeaa normaalista, poltto keskeytyy välittömästi ja näytöllä näkyy virheilmoitus.
- Jos etuluukku ei ole kunnolla paikallaan, poltto ei käynnisty ja näytöllä näkyvät virheilmoitus ja -koodi.

3.5 TIETOA KÄYTTÄJÄLLE



HUOMAUTUS!

- Muista laittaa käymälän altaaseen aina uusi suojapussi ennen käyttöä. Jokaisella käyttökerralla tulee käyttää uutta pussia.
- Kun käymälää ei käytetä, sen kannen on aina oltava kiinni. Poltto ei käynnisty, ellei kansi ole kiinni.
- Poltto kestää enintään 180 minuuttia viimeisimmästä käyttökerrasta.
- Tuuletin on käynnissä siihen asti, kunnes poltto on päättynyt ja käymälän sisälämpötila on palautunut normaaliksi. Jäähdytys voi kestää enemmän kuin 120 minuuttia polton päättymisen jälkeen. Jäähdytyksen kesto riippuu jäähdytysilman lämpötilasta.
- Cinderella-käymälää voi käyttää milloin tahansa polton ja jäähdytyksen aikana. Poltto keskeytyy käytön ajaksi. Sulje kansi aina käytön jälkeen ja paina käynnistyspainiketta.



Kapasiteetti: 4 käyttökertaa tunnissa

Cinderella Premium -käymälä on tarkoitettu käytettäväksi enintään neljä kertaa tunnissa. Ylikuormituksen välttämiseksi tätä tiheämpää käyttöä ei suositella. Käymälän ylikuormittaminen käyttämällä sitä useita kertoja polttoa suorittamatta saattaa johtaa hajunmuodostukseen ja vuotoon sekä vahingoittaa käymälää.



Tyhjennys

Tyhjennystiheys

Käymälän säiliön nestetilavuus on 5 litraa. Käymälän toimivuuden takaamiseksi tuhkasäiliö tulee tyhjentää usein (kerran viikossa). Tyhjentäminen myös varmistaa tehokkaan polton ja auttaa pitämään katalysaattorin puhtaampana.

Jos tuhkasäiliötä ei ole tyhjennetty 70 polttokerran jälkeen, Cinderella Premium -käymälän näytölle tulee ilmoitus. Jos tuhkasäiliötä ei ole tyhjennetty 90 polttokerran jälkeen, käymälä estää käytön. Suosittelemme tyhjentämään tuhkasäiliön tiheästi, sillä se tehostaa polttoa ja ehkäisee tuotteen kulumista.

Tuhkasäiliön tyhjennyksen laiminlyöminen saattaa vahingoittaa käymälää ja mitätöidä takuun.



Pitkä aika

Käymälän valmistelu pitkää käyttökatkoa varten

Kun käymälä jää käyttämättömäksi pitkäksi ajaksi ja ukkosella, virtajohto on irrotettava virtalähteestä käymälän suojelemiseksi vahingoittumiselta. HUOMAA! käymälässä on tehtävä poltto ja keltaisen valon on sammuttava ennen virtajohdon irrottamista. Jos käymälään jää palamattomia jätöksiä, se voi vahingoittua ajan mittaan. Käymälää tulee säilyttää kuivassa paikassa. Pitkien käyttökatkojen aikana käymälä voi olla järkevää kytkeä irti putkista ulkoisten lämpötilanvaihtelujen ja kosteuden vaikutusten ehkäisemiseksi. Muista asentaa käymälä uudelleen ennen käyttöä.



Lyhytkestoinen tiheä käyttö

Jos käymälää pitää käyttää tiheästi lyhytkestoisesti esimerkiksi juhlien aikana, toimi seuraavasti:

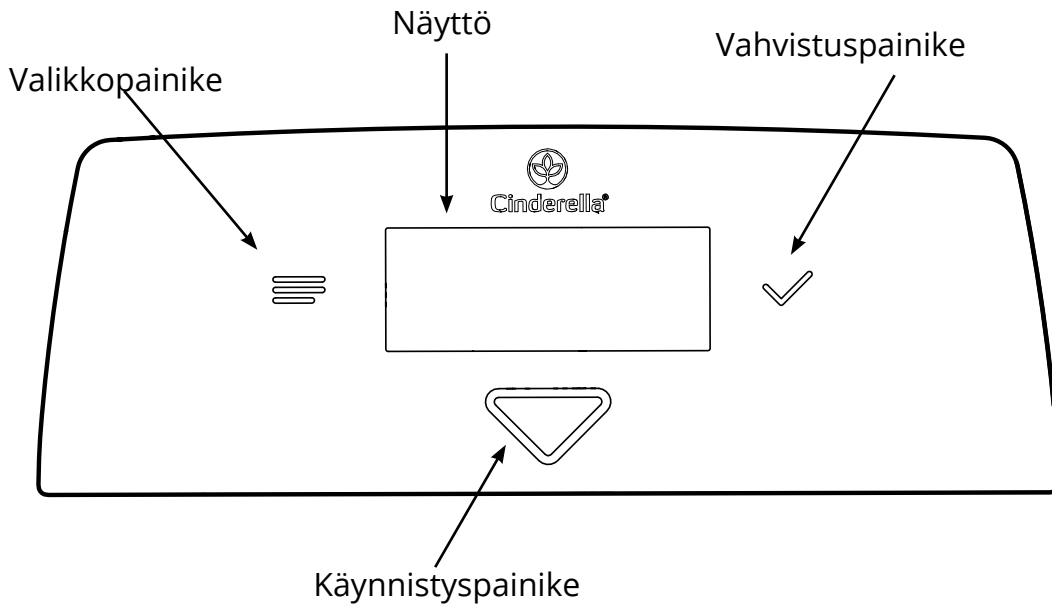
1. Tyhjennä tuhkasäiliö kokonaan ennen vieraiden saapumista.
2. Esilämmitä käymälä ennen käyttöä avaamalla ja sulkemalla kansi ja painamalla käynnistyspainiketta.
3. Opasta vieraita käyttämään suojapussia ja painamaan käynnistyspainiketta jokaisen käyttökerran jälkeen.
4. Tarkista säännöllisesti, että käymälän kansi on kiinni ja keltainen polttovalo palaa.
5. Käymälä saattaa vaatia yhden tai kaksi ylimääräistä polttoa ennen tuhkasäiliön tyhjentämistä kunnollisen polton varmistamiseksi.
6. Jos tiheä käyttö kestää useita päiviä, tuhkasäiliö tulee tyhjentää tiheästi, noin joka toinen päivä.

3.6 KÄYMÄLÄN KÄYTTÖ

Cinderella Premium -käymälässä on enemmän edistyneitä ohjelmistoja kuin aiemmissä käymälöissä ja siksi enemmän toimintoja. Kaikki laitteen toiminnot ja asetukset löytyvät laitteen ohjauspaneelista ja valikoista.

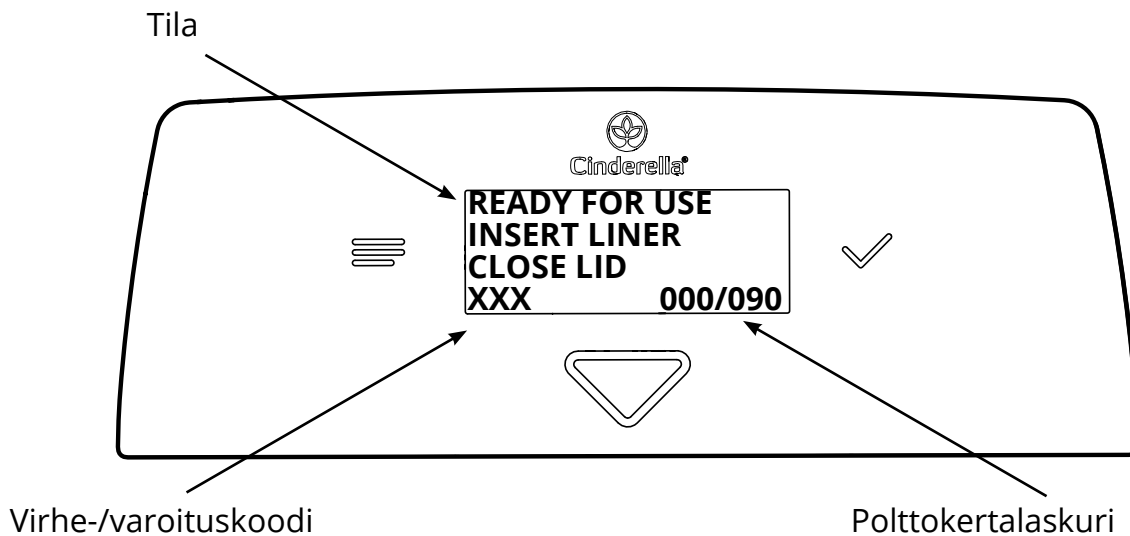
3.6.1 OHJAUSPANEELI

Ohjauspaneelissa on valikko ja vahvistus- ja käynnistyspainikkeet sekä näyttö parhaan käyttökokemuksen takaamiseksi. Näyttö antaa tietoa järjestelmän tilasta, ja sitä käytetään valikoiden selaamiseen.



3.6.2 ALOITUSNÄKYMÄ

Aloituskäyttö on näytön päänäkö. Se kertoo käymälän tilan, mahdolliset varoitus- ja virhekoodit ja näyttää edellisen tyhjennyksen jälkeen tehtyjen polttojen määrän.



Polttokertalaskuri / tyhjennyksen ilmaisim

Cinderella Premiumn näytön oikeassa alakulmassa oleva luku kertoo, montako polttoa käymälällä on tehty edellisen tyhjennyksen jälkeen. Kun polttojen enimmäiskerta on täyttymässä, näytöllä näkyy varoitus. Jos tuhkasäiliötä ei tyhjennetä, käymälä lukittuu lopulta siihen asti, kunnes säiliö on tyhjennetty.

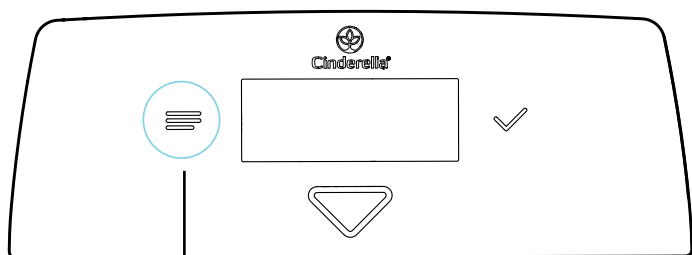


HUOMAUTUS!

Tyhjennyskehoitus näkyy näytöllä ensimmäisen kerran, kun tuhkasäiliö on noin puolillaan. Säiliö kannattaa tyhjentää tiheästi, sillä se parantaa polttotehoa.

3.6.3 VALIKOIDEN SELAAMINEN

Päävalikko tulee näkyviin, kun laitteen taustavalaistua valikkopainiketta painetaan. Päävalikosta voi siirtyä alivalikoihin pitämällä valikkopainike painettuna, kunnes haluttu valikko on valittuna. Valikko valitaan painamalla vahvistuspainiketta.



Päävalikko	Alivalikko
Huolto	Tyhjennä tuhkasäiliö
	Puhdista käymälä
	Höyrypuhdistus
	Poista luukun jumiutuminen
	Nollaa käymälä
	Päivitystila
Tietoa	CPU ID
	Versiotiedot
	Näytä vikateksti
Kieli	English
	Norsk
	Svenska
	[...]
Tilastotietoja	Polttoja yhteensä

Kielen valinta

Jos käymälän kieli on vaihtunut etkä ymmärrä valikoiden tekstejä, siirry päävalikosta kolmanteen valikkokohtaan ja paina vahvistuspainiketta. Seuraavassa valikossa paina valikkopainiketta, kunnes haluamasi kieli on valittuna. Paina sitten vahvistuspainiketta.

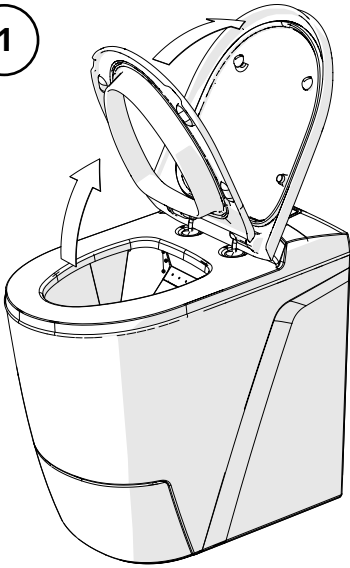


HUOMAUTUS!

Aloituspäätöseen palataan selaamalla luettelon loppuun kohtaan [poistu] ja painamalla vahvistuspainiketta. Laite palaa myös automaattisesti aloituspäätöseen, kun näyttöä ei ole käytetty 60 sekuntiin.

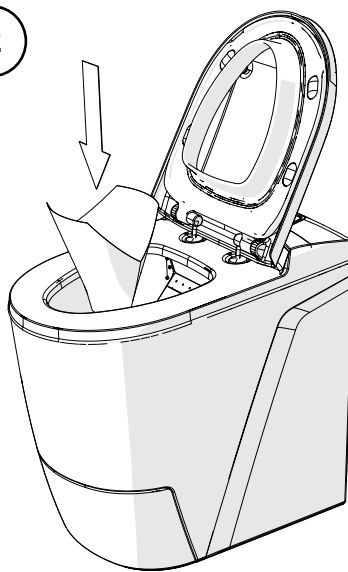
3.7 CINDERELLA PREMIUM -KÄYMÄLÄN KÄYTTÖ

1



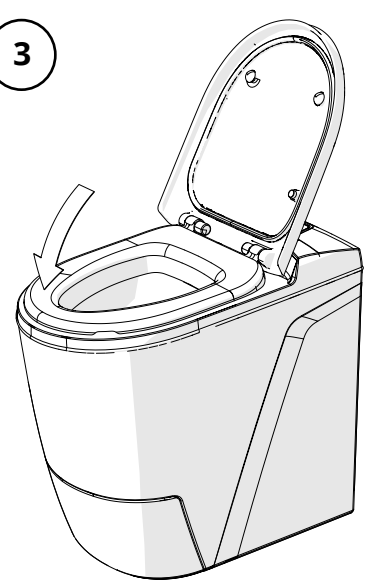
1. Avaa istuinkannet. Tuuletin käynnistyy.

2



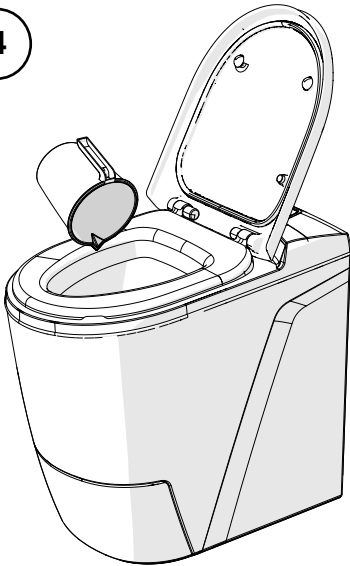
2. Aseta suojapussi käymälän altaaseen. Vaihda suojapussi jokaisella käyttökerralla.

3



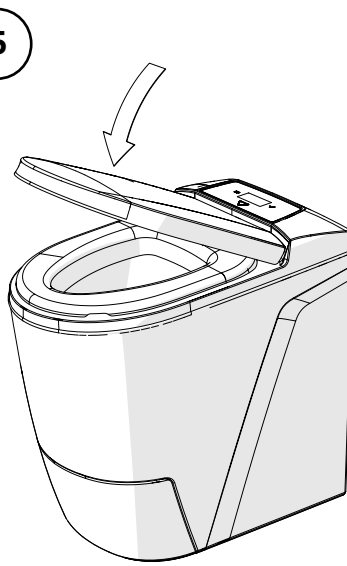
3. Laske istuinrenkas. Käymälä on valmis käytettäväksi.

4



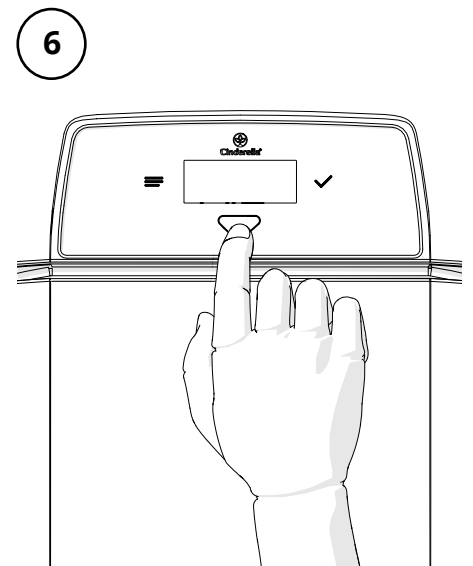
4. Käymälää voi käyttää tavalliseen tapaan. Jos jätöksen määrä on pieni, käymälän altaaseen voi lisätä hieman vettä tuomaan painoa.

5



5. Sulje käymälän kansi.

6



6. Paina käynnistuspainiketta. Luukku aukeaa ja pussi sisältöineen putoaa polttokammioon. Poltto käynnistyy, kun luukku on sulkeutunut. Käymälä on nyt valmis seuraavaa käyttökertaa varten.

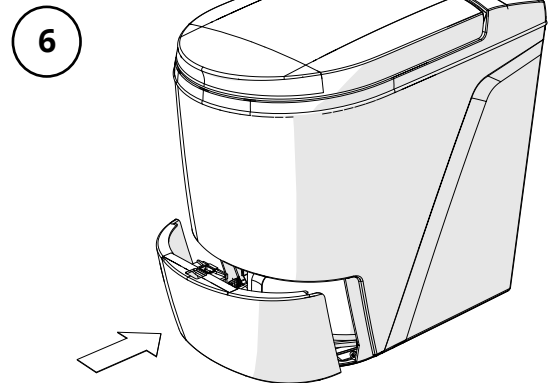
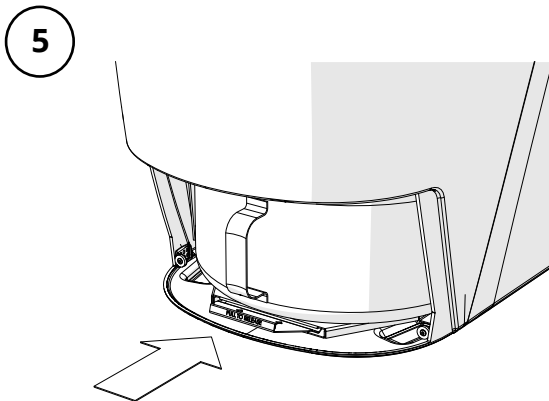
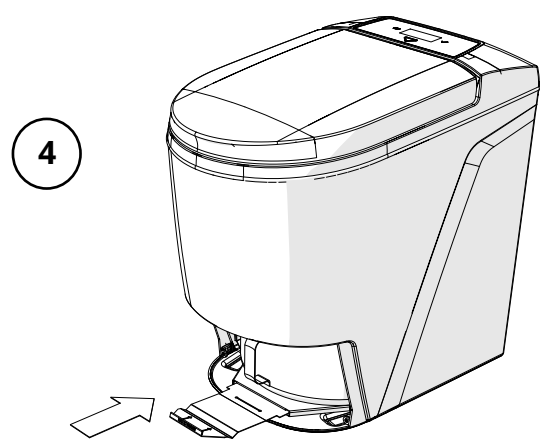
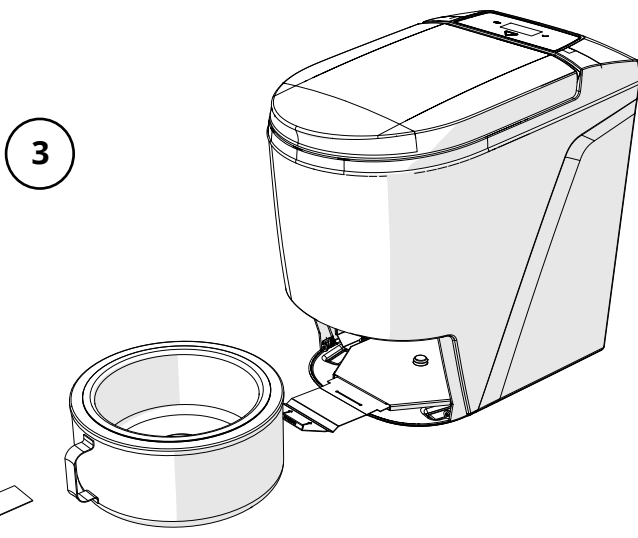
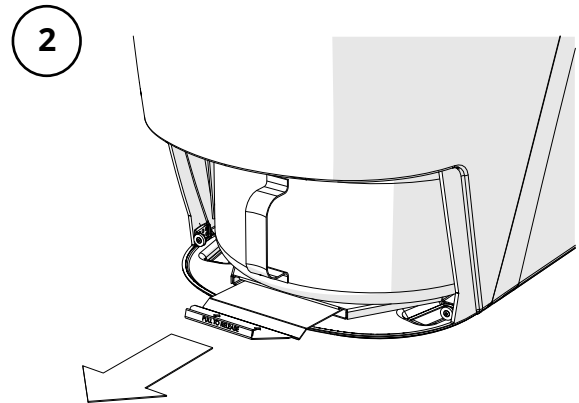
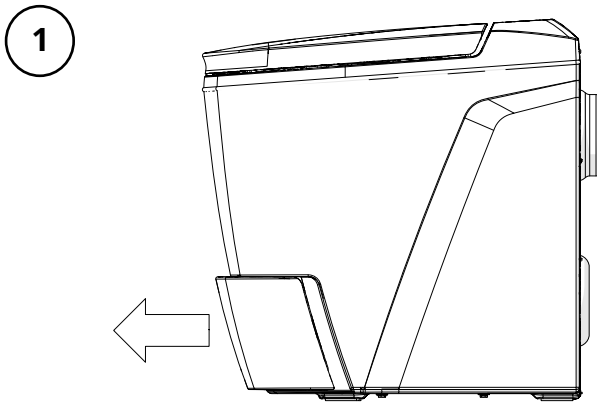


HUOMAUTUS!

Suojapussia asettaessasi varmista, että pussi on painettu kunnolla käymälän pohjaan asti, jotta pussi ei painu kasaan käytön aikana.

3.8 ETULUUKUN JA TUHKASÄILIÖN KÄYTTÖ

Etuluukku avataan ohjauspaneelista. Siirry huoltovalikkoon ja valitse Tyhjennä tuhkasäiliö. Ohut metallikappale, jossa on teksti "pull to release", vapauttaa tuhkasäiliön ja lukitsee sen paikoilleen.



HUOMAUTUS!

- Katso käymälän puhdistusohjeet ja tuhkasäiliön tyhjennysohjeet käyttöohjeen huolto-osiosta.
- Etuluukku ei avaudu, jos käymälän sisälämpötila on liian suuri. Jos luukku ei avaudu, odota kunnes käymälä on jäähtynyt.
- Ohjauspaneelin ja valikoiden käyttöohjeet ovat kohdassa 3.6.

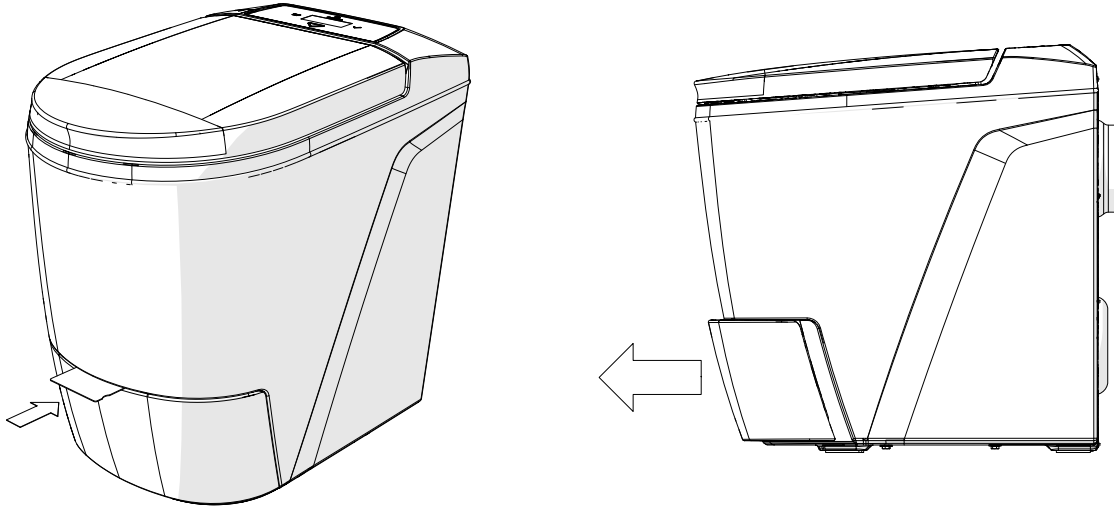


VAROITUS!

- Käymälän tuhkasäiliö kuumenee polton aikana erittäin kuumaksi.
- Tyhjennä tuhkasäiliö vasta, kun käymälä on jäähtynyt kokonaan.

3.8.1 ETULUUKUN AVAAMINEN MANUAALISESTI

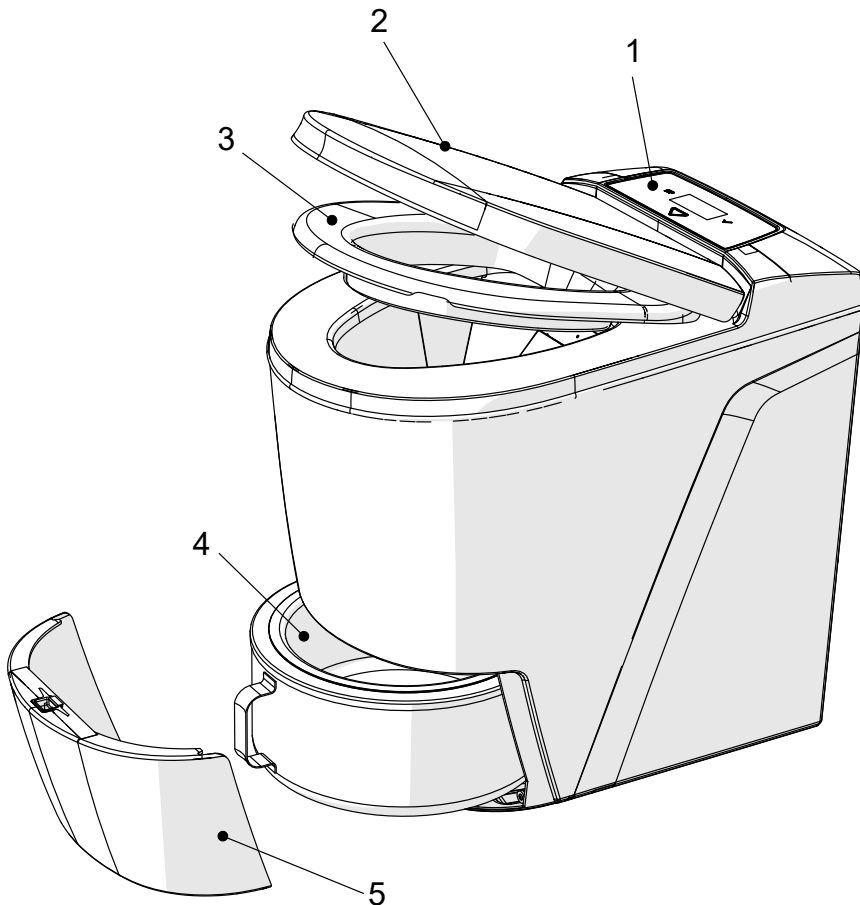
Jos etuluukun avaaminen ohjauspaneelin kautta ei onnistu, luukun voi avata manuaalisesti. Työnnä ohut jäykkä esine etuluukun ja käymälän kotelon väliin keskeltä. Esimerkiksi luottokortti on hyvä tähän tarkoitukseen.



VAROITUS!

Järjestelmän voi ohittaa ja etuluukun avata, kun sisälämpötila ylittää turvallisen rajan. Tällöin on tärkeää toimia varovasti. Kuumiin pintoihin koskettaminen voi johtaa palovammoihin.

3.9 PEREHDYTYS LAITTEISTON KÄYTTÖÖN



NRO	OSAN KUVAUS
1	Ohjauspaneeli, jossa on näyttö
2	Kansi
3	Istuin
4	Tuhkasäiliö ja astia
5	Etuluukku

4. YLEISET HUOLTO-OHJEET

Toimiva ilmanvaihto on välttämätön käymälän ihanteellisen toiminnan kannalta. Poltossa syntyvät hiukkaset voivat ajan mittaan tukkia katalysaattorin ja savuhormin. Siksi näitä osia on huollettava säännöllisesti.

Jotta Cinderella Premium -käymälä toimisi ihanteellisesti ja kestäisi käytössä pitkään, sille on tehtävä tietyt ennaltaehkäisevät huoltotoimet. Hyvä huoltorutiini pienentää käyttökustannuksia ja ehkäisee käymälän kulumista. Suosittelemme, että käyttäjä tekee käymälälle seuraavat huoltotoimet säännöllisesti:

1. Tyhjennä käymälä tiheästi. Älä laske käymälän käyttöä sen enimmäiskapasiteetin mukaan.
2. Puhdista tuhkasäiliö aina tyhjennyksen yhteydessä (ks. kohta 4.2.1).
3. Höyrypuhdistusta käymälän allas vähintään jokaisen suojaussipakkauksen (500 käyttökertaa) jälkeen, mieluiten jokaisen tuhkasäiliön tyhjennyksen ja puhdistuksen yhteydessä (ks. kohta 4.2.2).
4. Huuhtelee katalysaattori kuumalla vedellä jokaisen kulhon vuorauslaatikon jälkeen (500 käyttökertaa) tai tarvittaessa useammin. (katso kohta 4.2.6).
5. Tarkista polttotulos aina tuhkasäiliön tyhjennyksen yhteydessä. Poikkeava tuhkan koostumus voi olla merkki huollon tai korjauksen tarpeesta (ks. kohta 4.1).

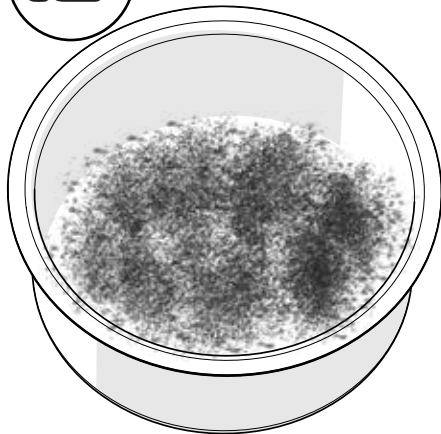


VAROITUS!

Tarkista aina ennen huoltotoimien aloittamista, että käymälä ei ole polttotilassa ja että se on jäähtynyt riittävästi.

4.1 TUHKAN KOOSTUMUS

Koska tuhka koostuu ihmisjätöksistä, suoloista ja mineraaleista, se saattaa vaikuttaa kovalta ja kiteiseltä. Tuhkan seasta ei saa erottua paperia tai palamattomia jätöksiä, ja tuhkan värin tulisi olla väriltään valkoista ja tummanharmaata. Jos tuhkan seassa on palamattomia mustia kokkareita, kosteutta tai paperia, käynnistä uusi poltto lisäämättä käymälään paperia tai nestettä. Kun poltto on valmis, tyhjennä tuhkasäiliö ja tee tämän ohjekirjan mukaiset huoltotoimet.

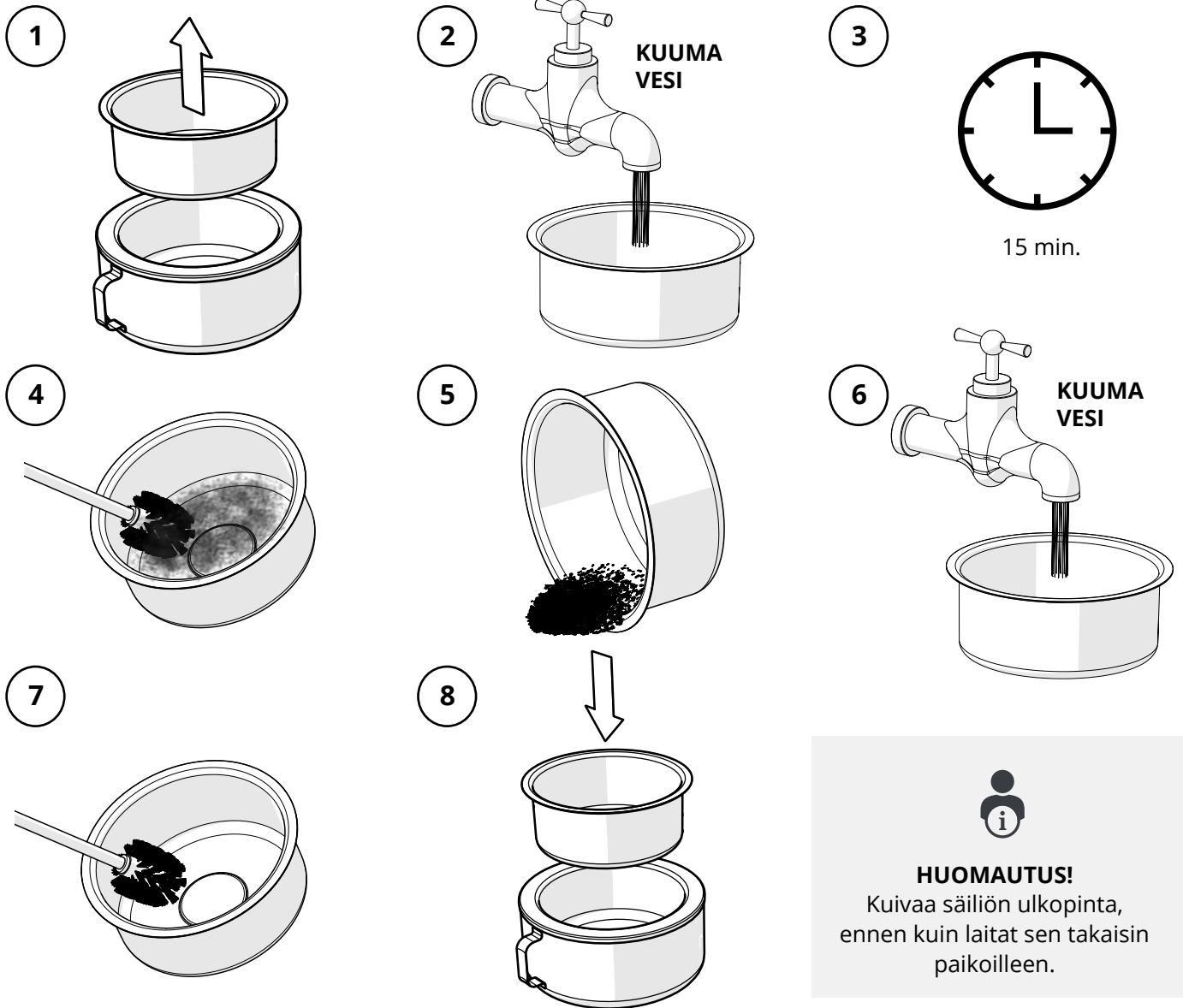


HUOMAUTUS!

Tuhkajäännökset ovat steriilejä eivätkä sisällä bakteereja tai tartunta-aineita. Tuhkajätteet suositellaan lajiteltavaksi jäännösjätteenä. Huomaa, että tietyissä maissa voi olla rajoituksia, joten tutustu oman maan säädöksiin ja noudata niitä.

4.2 KUNNOSSAPITO

4.2.1 TUHKASÄILIÖN TYHJENNYS JA PUHDISTUS



HUOMIO!

Älä käytä tuhkasäiliön astian puhdistamisessa teräviä esineitä, sillä se vahingoittaa astiaa ja lyhentää sen käyttöikää.



HUOMAUTUS!

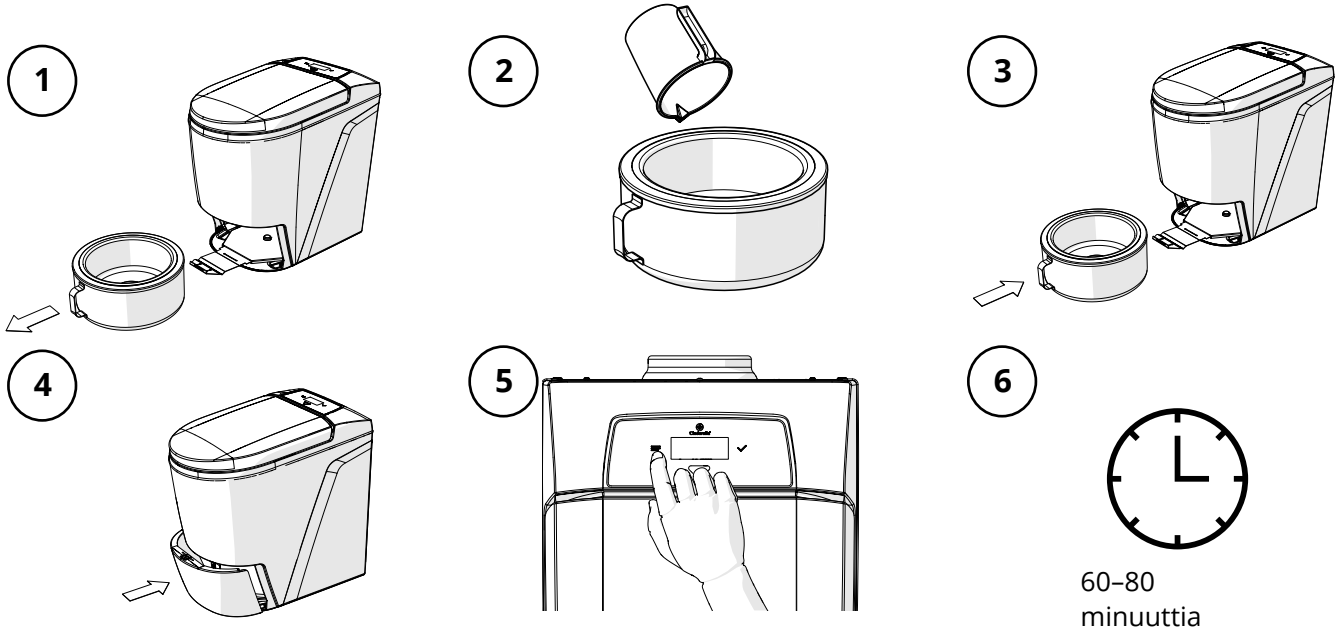
- Käymälän toimivuuden ylläpitämiseksi suosittelemme tekemään höyrypuhdistuksen kohdan 4.2.2 ohjeilla jokaisen tuhkasäiliön tyhjennyksen ja puhdistuksen yhteydessä. Se ehkäisee noen ja sakan muodostumista katalysaattoriin ja savuhormiin.
- Käymälän tulee puhdistuksen aikana olla kytkettynä virtalähteeseen. Jos käymälä tyhjenetään virran ollessa katkaistuna, järjestelmä ei pysty nollaamaan laskuria.
- Tuhka kannattaa tyhjentää usein. Tämä parantaa polton tehokkuutta.

4.2.2 KATALYSAATTORIN HÖYRYPUHDISTUS

Suosittelu tiheys: jokaisenn tuhkasäiliön tyhjennyksen yhteydessä.

1. Varmista, että käymälä on jäähtynyt ja tuhkasäiliö on tyhjentetty ja puhdistettu (ks. kohta 4.2.1).
2. Poista etuluukku ja vapauta tuhkaluukku.
3. Kaada tuhkasäiliöön noin 1 litra puhdasta vettä.
4. Aseta tuhkasäiliö paikalleen varovasti vettä läikyttämättä ja aseta etuluukku paikoilleen.

5. Käynnistä poltto painamalla käynnistuspainiketta.
6. Vesi alkaa kiehua ja höyry puhdistaa sakan katalysaattorista. Höyrypuhdistus kestää tavallisesti 60–80 minuuttia.



HUOMAUTUS!

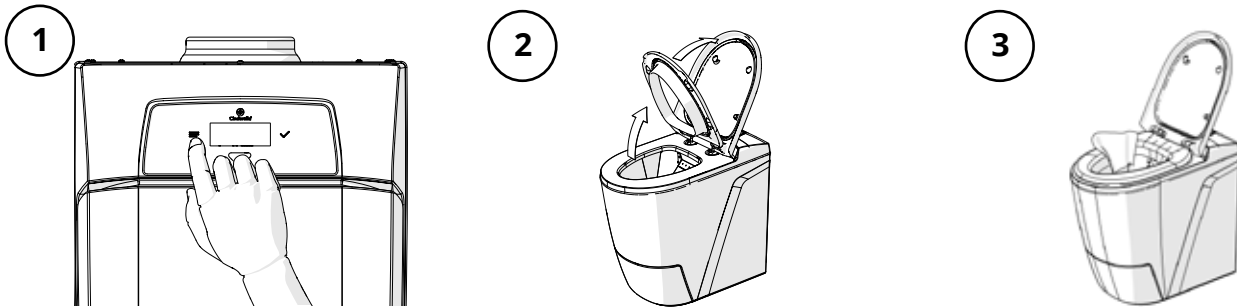
Käymälää ei saa käyttää huollon aikana, sillä se heikentää puhdistustehoa. Käymälää voi käyttää taas, kun se on palannut valmiustilaan.

4.2.3 KÄYMÄLÄN ALTAAN PUHDISTUS

Suosittelut tiheys: tuhkasäiliön puhdistuksen yhteydessä ja aina tarvittaessa.

Puhdista käymälän allas näin:

1. Siirry huoltovalikkoon ja valitse Puhdista käymälä (ks. kohta 3.6.3).
2. Avaa käymälän kansi.
3. Pyyhi pinnat kostealla paperilla, vedellä ja miedolla pesuaineella tarpeen mukaan. Sulje kansi ja käynnistä poltto.



VAARA!

- Älä käytä tulenarkoja puhdistusaineita käymälän altaan puhdistukseen.
- Käymälän metallireunat voivat olla teräviä.
- Käymälän on oltava jäähtynyt ja valmiustilassa, ennen kuin altaan puhdistus aloitetaan.



VAROITUS!

Vain kansi sulkeutuu pehmeästi, joten varo jättämästä käsiäsi liikkuvien osien väliin.



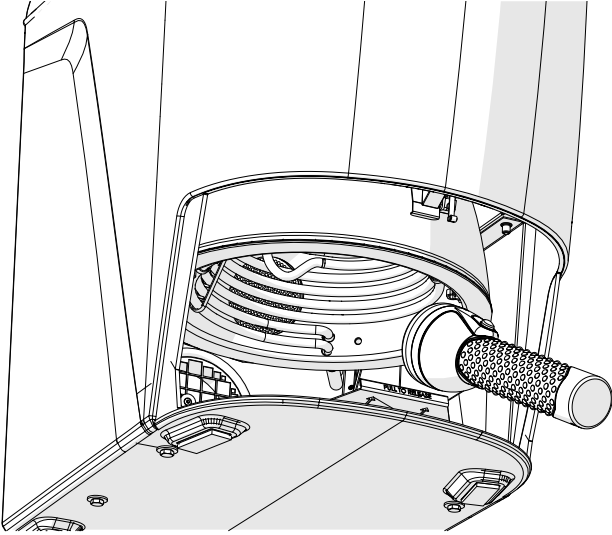
HUOMIO!

Älä käytä klooripitoisia puhdistusaineita käymälän altaan puhdistukseen. Kloori vahingoittaa katalysaattoria ja voi aiheuttaa katalyytin toimintahäiriön.

4.2.4 KATALYSAATTORIN TARKISTUS

Suositteltu tiheys: 500 käyttökerran jälkeen.

Katalysaattori muodostaa polttokammion ja savuhormin liitännän välisen ensisijaisen ilmanvaihtokanavan. Hiukkasten kertyminen katalysaattoriin heikentää ilman virtausta ja käymälän tehokkuutta sekä saattaa johtaa hajunmuodostukseen. Siksi katalysaattorin tulee olla aina avoinna. Polttoajan tai polton tehokkuuden muuttuminen sekä hajunmuodostus voivat johtua katalysaattoriin kertyneestä sakasta. Paras ja helpoin tapa puhdistaa katalysaattori on tehdä kohdan 4.2.2 mukainen höyrypuhdistus. Katalysaattorin etuosan voi myös tarkistaa poistamalla tuhkasäiliön ja valaisemalla polttokammion sisäpuolelta. Jos katalysaattorissa näkyy höyrypuhdistuksen jälkeen hiukkasia tai käymälässä tuntuu hajua, huuhtelee katalysaattori kuumalla vedellä kohdan 4.2.6 mukaisesti.



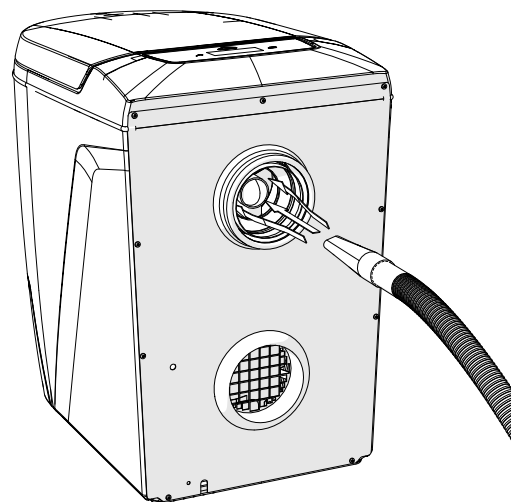
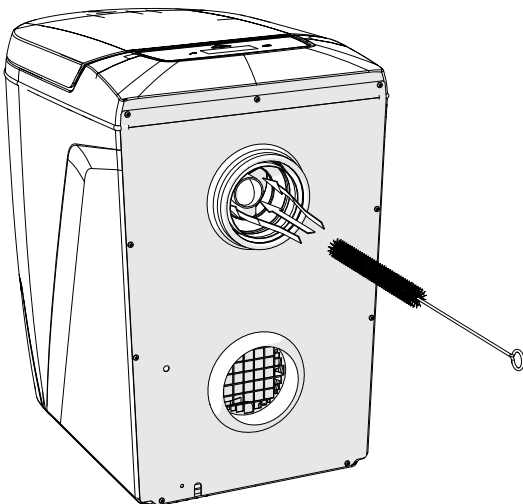
HUOMAUTUS!

Jos katalysaattorissa näkyy selkeitä syöpymiä tai epämuodostumia, katalysaattori on vaihdettava uuteen. Tilaa huolto paikalliselta palveluntarjoajalta.

4.2.5 SAVUHORMIN LIITÄNNÄN PUHDISTUS

Suositteltu tiheys: vähintään 500 käyttökerran jälkeen.

1. Puhdistusta varten käymälä on irrotettava savuhormista ja virtalähteestä.
2. Puhdista savuhormin liitäntä joustavalla harjalla. Puhdista sekä poistoputki että sitä ympäröivä liitin tuulettimen lapoihin asti hyvän ilmanvaihdon takaamiseksi.
3. Irrota ja puhdista tuhkasäiliö.
4. Puhdista savuhormi ja katalysaattori imurilla.
5. Liitä käymälä savuhormiin ja virtalähteeseen.
6. Aseta tuhkasäiliö ja etuluukku paikalleen.
7. Savuhormin liitännän puhdistuksen jälkeen on suositeltavaa tehdä kohdan 4.2.2 mukainen höyrypuhdistus.

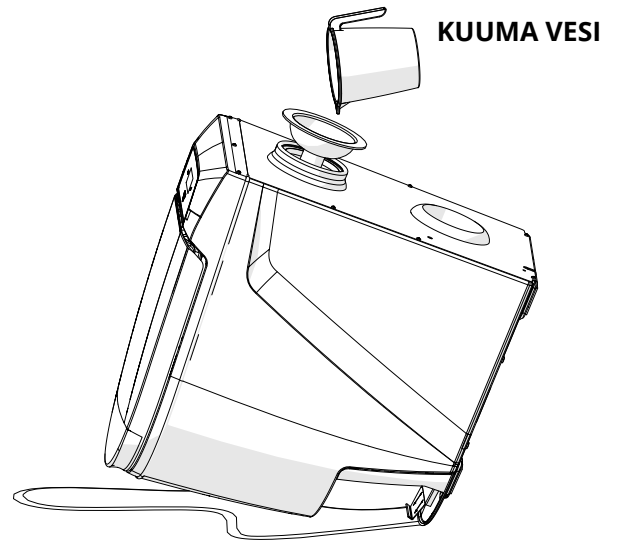


4.2.6 KATALYSAATTORIN HUUHELU KUUMALLA VEDELLÄ

Suositteltu tiheys: kerran vuodessa tai vähintään 500 käyttökerran välein..

Jos höyrypuhdistus ei riitä poistamaan hiukkasia ja pahaa hajua, katalyysaattori on huuhdeltava kuumalla vedellä. Huuhtelu edellyttää painavien esineiden nostamista, ja sen voi tehdä vain paikassa, jossa vettä saa roiskua. Tee ensin savuhormin liitännän puhdistuksen vaiheet 1–7 (kohta 4.2.5) ja jatka niiden jälkeen seuraavasti:

1. Aseta käymälä sellaiseen paikkaan, johon saa roiskua vettä, esimerkiksi lattiakaivolliseen tilaan, ulkotiloihin tai kylpyammeeseen. Käytä Cinderellan omaa suppiloa, joka mahtuu poistoputkeen. Kallista käymälää hieman eteenpäin ja kaada 2–3 litraa kuumaa vettä poistoputken kautta katalyysaattorin läpi. Huuhtelun loppuvaiheessa läpi valuvan veden tulisi olla puhdasta. Toista huuhtelu tarvittaessa.
2. Toista kohtaa 1 kunnes vesi on puhdasta eikä katalyysaattorissa näy kiteitä tai muita esteitä (4–5 kertaa) (ks. kohta 4.2.4). Vaihe 1 tulee toistaa 4–5 kertaa, vaikka vesi olisi ennen ollut kirkasta tuo kohta.
3. Liitä käymälä savuhormiin ja virtalähteeseen.
4. Aseta tuhkasäiliö ja etuluukku paikalleen.
5. Tee toimivuustestaus kohdan 2.8 mukaisesti.



HUOMAUTUS!

Ennen käymälän irrottamista ja huuhtelemista kuumalla vedellä tarkista katalyysaattori ja tee kohdan 4.2.2 mukainen höyrypuhdistus. Jos katalyysaattori on edelleen tukossa tai polton aikana muodostuu hajua, huuhtele katalyysaattori edellä kuvatulla tavalla.



HUOMIO!

Käymälän etukuori on ohut, eikä käymälän koko painoa saa laskea sen varaan. Kallista laitetta varovasti ja sijoita käymälä sellaiseen paikkaan, ettei etukuori pääse rikkoutumaan. On suositeltavaa, että tämän tekee kaksi ihmistä, joista toinen pitää käymälää paikoillaan ja toinen huuhtelee katalyysaattorin.

5. VIANETSINTÄ JA USEIN KYSYTTYÄ



VAROITUS!

Huollot ja korjaukset tulee tehdä kansallisten ja paikallisten määräysten mukaisesti. Jos et tiedä alueellasi noudatettavia määräyksiä, käänny jälleenmyyjän tai valtuutetun huollon puoleen. Käymälä on irrotettava virtalähteestä ennen kaikkien huolto- ja korjaustoimien suorittamista.

Vianetsintä verkossa

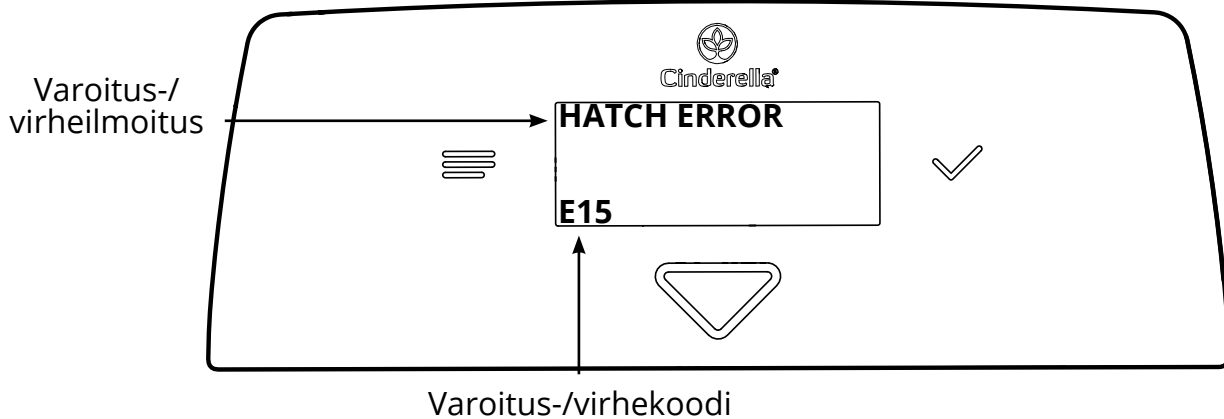
Jos käymälän toiminnassa ilmenee ongelmia, näytölle tulee varoitus- tai virheilmoituskoodi, joiden selitykset ovat seuraavalla sivulla kohdassa Varoitus- ja virheilmoituskoodit. Yleisimmät virheet ja ongelmatilanteet on koottu verkossa olevaan vianetsintätoimintoon, josta löydät helposti syyn käymälän ongelmaan ja ratkaisuehdotuksia.

Käymälän nollaus

Käymälä on toisinaan hyvä nollata puhdistuksen ja vianetsinnän yhteydessä. Se tehdään painamalla valikkopainiketta ja valitsemalla huolto ja sen jälkeen nollaa käymälä.

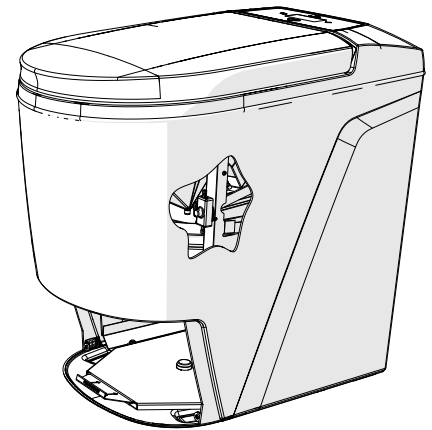
Varoitukset ja virheilmoitukset

Kun näytöllä näkyy varoitus tai virheilmoitus, sen syy on selvitettävä ja ratkaistava ennen käymälän käyttöä. Jos käymälä ei toimi oikein, siitä tulee hajua, se ei polta kunnolla tai järjestelmä ei toimi oikein, tilanne on ratkaistava, jotta käymälä ei vahingoitu ja aiheuta kalliita korjauskustannuksia.



Kaksimetallisen termostaatin virhe

Kaksimetallinen termostaatti antaa virheilmoituksen, kun käymälän sisälämpötila nousee liian suureksi. Näin tapahtuu tavallisesti, kun ilmankierto on riittämätöntä tai korvaus- tai poistoilmapiipussa on tukos. Tarkista korvausilman saanti ja varmista, että savuhormi on avoin ja esteetön. Tarkista katalysaattori silmämääräisesti ja tee höyrypuhdistus kohdan 4.2.2 mukaisesti. Kaksimetallisen termostaatin nollaus: Poista tuhkasäiliö ja työnnä käsi käymälän oikealle puolelle kohti yläosaa. Paina käymälän rungossa piirroksen osoittamassa kohdassa sijaitsevaa termostaatin painiketta.



Sähkökatkon sattuessa

Jos poltto on käynnissä sähkökatkon sattuessa, käymälästä saattaa tulla hajua tilapäisesti ja ulkona olevasta savuhormista saattaa tulla savua ja hajua. Tuuletin toimii akkuvirralla, kunnes käymälä on jäähtynyt. Sähkökatkon jälkeen poltto ei käynnisty automaattisesti, vaan käyttäjän on käynnistettävä uusi poltto. Jos sähkökatkon odotettu kesto on yli kaksi tuntia, käymälä on tärkeää tyhjentää, sillä muuten käymälä saattaa vaurioitua. Käymälää ei saa käyttää sähkökatkon aikana.

Hajunmuodostus sisätiloissa

Hajunmuodostus voi johtua useista syistä:

1. Suojapussin käyttämättä jättäminen tai suojapussin vääränlainen käyttö.
2. Ilmanvaihto ei toimi. Tarkista savuhormi ja savuhormin hattu.
3. Tarkista, että käymälä on asennettu asennusohjeen mukaisesti. Savuhormin esteet voivat aiheuttaa alipainetta ja hajunmuodostusta sisälle.
4. Poistoputki saattaa olla tukossa. Ks. kohta 4.2.5
5. Katalysaattori saattaa olla tukossa. Ks. kohta 4.2.6
6. Poistoputki ei ole kunnolla kiinni käymälässä. Ks. kohta 2.5.1.

Hajunmuodostus ulkotiloissa

Syyt voivat olla samoja kuin sisätiloissa tai johtua seuraavista:

1. Katalysaattori ei ole saavuttanut käyttölämpötilaa. Kun käymälä on kylmä, katalysaattorin lämpeneminen oikeaan lämpötilaan saattaa viedä muutaman minuutin.
2. Katalysaattori saattaa olla syöpynyt tai tukossa. Ota yhteyttä valtuutettuun huoltoon.

Virtapiikki

Jos laitteeseen osuu jännitepiikki, kuten salamankisku, laite nollautuu automaattisesti. Käyttäjän on tämän jälkeen käynnistettävä uusi poltto.

5.1 VIANETSINTÄTAULUKKO



HUOMAUTUS!

Cinderella on kehittänyt digitaalisen vianetsintämoduulin, joka on verkkosivustossamme. Se toimii vianetsintätaulukon lisänä. Löydät sen osoitteesta www.cinderellaeco.com.

TIETOA	OHJEET
Toimintoa ei voida suorittaa	Laite suorittaa parhaillaan ohjelmaa, eikä toista ohjelmaa siksi voida käynnistää. Esimerkiksi tuhkasäiliötä ei voi tyhjentää höyrypuhdistuksen aikana.
Käymälä on liian kuuma	Toimintoa ei voida suorittaa, koska laite on liian kuuma. Yritä uudelleen, kun laite on jäähtynyt.
Tyhjennä tuhkasäiliö ennen höyrypuhdistusta	Tuhkasäiliö on tyhjennettävä, ennen kuin höyrypuhdistuksen voi käynnistää. Tyhjennä tuhkasäiliö ja yritä uudelleen.

KOODI	VAROITUS	OHJEET
W10	Käymälää on käytetty yli 70 kertaa edellisen tuhkasäiliön tyhjennyksen jälkeen.	Tuhkasäiliö on tyhjennettävä pian.
W11	Käymälää on käytetty yli 90 kertaa edellisen tuhkasäiliön tyhjennyksen jälkeen.	Tyhjennä tuhkasäiliö.
W12	Etuluukku on auki.	1. Jos et ole huoltamassa käymälää, sulje etuluukku. Jos luukku on kiinni, yritä säätää sitä tai irrota ja aseta se paikalleen uudelleen. 2. Jos varoitus ei poistu, tarkista etuluukun sisällä keskellä ylhäällä oleva kytkin. Jos metalli on taipunut taaksepäin, taivuta se takaisin eteen. 3. Jos varoitus ei poistu, ota yhteyttä huoltoon.
W14	Edellinen poltto kesti liian kauan.	1. Tarkista, että asennus on tehty ohjeiden mukaisesti ja että ilmanvaihto ei ole estynyt. 2. Nollaa käymälä (ks. kohta 5). 3. Jos varoitus ei poistu, ota yhteyttä huoltoon.
W15	Tuhkasäiliö puuttuu tai ei ole kunnolla paikallaan. Tuhkasäiliön anturi ei ehkä toimi oikein.	1. Jos et ole huoltamassa käymälää, aseta tuhkasäiliö paikoilleen. 2. Jos varoitus ei poistu, kokeile poistaa tuhkasäiliö ja asettaa se paikoilleen muutaman kerran. Varmista, että säiliö on kunnolla paikallaan ja että lukitusmekanismi on ääriasennossa. 3. Jos varoitus ei poistu, ota yhteyttä huoltoon.
W16	Useita käyttökertoja viimeksi kuluneen tunnin aikana. Käymälän allas voi täytyä. Käytä varoen.	Odotta ennen seuraavaa käyttökertaa.
W17	Akkua ei havaittu.	1. Nollaa käymälä (ks. kohta 5). 2. Jos varoitus ei poistu, ota yhteyttä huoltoon.

KOODI	VIRHE	OHJEET
E10	Lämmityspiirin virhe	1. Tarkista, että asennus on tehty ohjeiden mukaisesti. 2. Nollaa kaksimetallinen termostaatti (ks. kohta 5). 3. Nollaa käymälä (ks. kohta 5). 4. Jos ilmoitus ei poistu, ota yhteyttä huoltoon.
E11	Lämpötila-anturin virhe	1. Nollaa käymälä (ks. kohta 5). 2. Jos ilmoitus ei poistu, ota yhteyttä huoltoon.
E12	Käymälän pinnan lämpötila on liian suuri	1. Tarkista, että asennus on tehty ohjeiden mukaisesti ja että ilmanvaihto ei ole estynyt. 2. Nollaa käymälä (ks. kohta 5). 3. Jos ilmoitus ei poistu, ota yhteyttä huoltoon.
E13	Tuuletin ei toimi kunnolla	1. Nollaa käymälä (ks. kohta 5). 2. Jos ilmoitus ei poistu, ota yhteyttä huoltoon.
E15 E16 E17	Luukkuvirhe	1. Avaa ja sulje luukku siten, että käynnistuspainike muuttuu vihreäksi. Paina käynnistuspainiketta käyttäaksesi käymälää. 2. Jos vika ei poistu, nollaa käymälä, aseta suojaussi altaaseen ja kaada pussiin 7 dl vettä. Sulje kansi ja paina käynnistuspainiketta. 3. Jos vika ei poistu, odota kunnes käymälä on jäähtynyt (tuuletin lakkaa toimimasta). Nollaa käymälä uudelleen ja avaa kansi, kun luukku on avautumassa, ja poista sen toimintaa estävä esine. 4. Jos ilmoitus ei poistu, ota yhteyttä huoltoon.
E22	230 voltin virtaa ei havaittu.	1. Tarkista, että käymälä on liitetty virtalähteeseen kohdan 2.6 mukaisesti. 2. Jos ilmoitus ei poistu, ota yhteyttä huoltoon.
E24	Etuluukun avaaminen ei onnistu.	1. Tarkista, ettei mikään estä etuluukun avaamista. 2. Tarkista, onko etuluukku irrallaan vetämällä sitä kevyesti. 3. Yritä irrottaa etuluukku käsin (ks. kohta 3.8.1). 4. Jos ongelma ei poistu, ota yhteyttä huoltoon.
E25	Kuoren lämpötila-anturin virhe	1. Nollaa käymälä (ks. kohta 5). 2. Jos ilmoitus ei poistu, ota yhteyttä huoltoon.

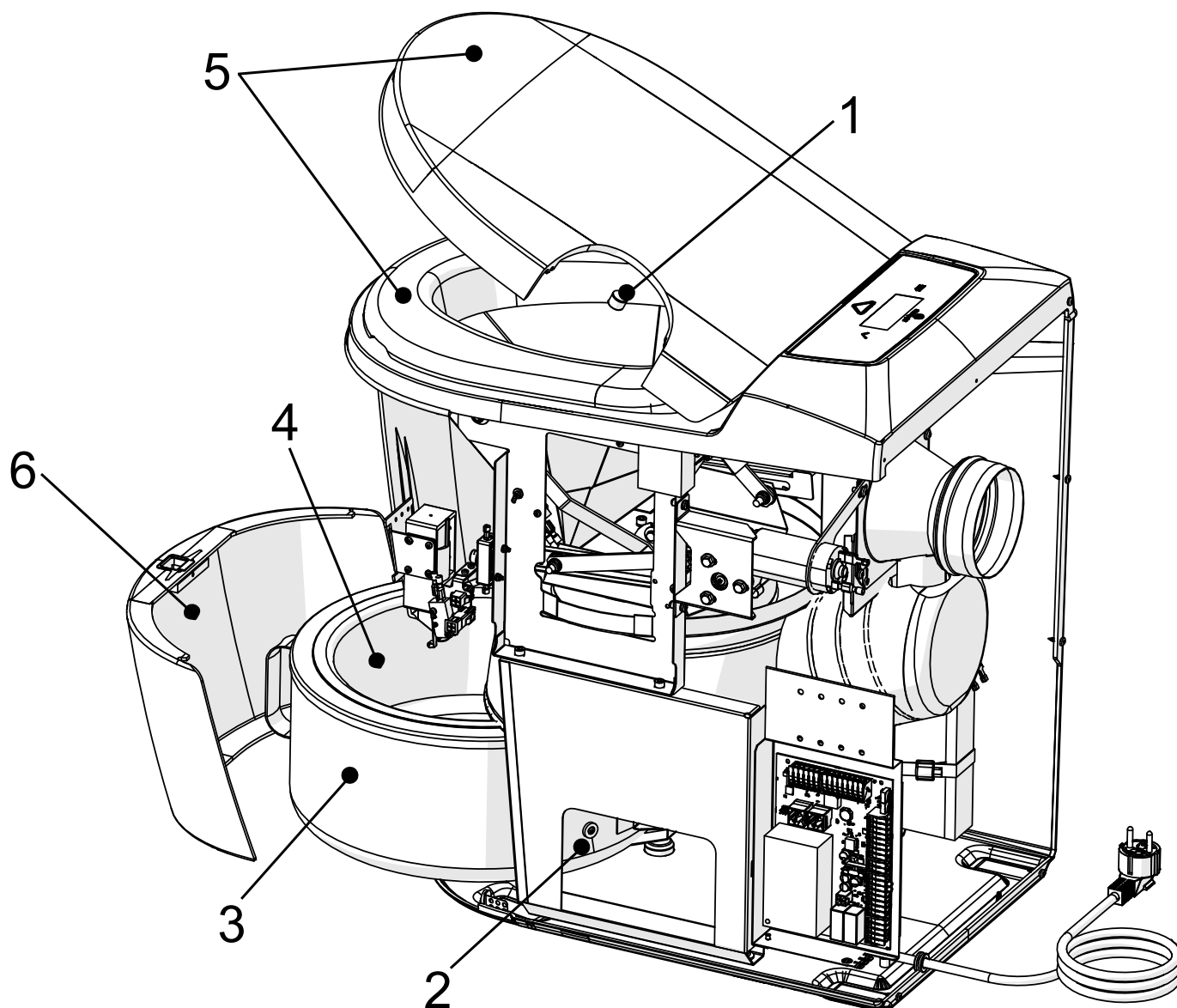


HUOMAUTUS!

Muitakin kuin tässä lueteltuja virheitä voi esiintyä. Jos näin käy, nollaa käymälä. Jos ongelma ei poistu, ota yhteyttä huoltoon ja kerro käymälän ilmoittama vikakoodi.

6. KORJAUS JA VARAOSAT

6.1 VARAOSALUETTELO



NRO	OSAN KUVAUS	TUOTENRO
1	Magneetti 14x10 mm	100433
2	Magneetti 14x7 mm	100065
3	Tuhkasäiliö	101713
4	Tuhkasäiliön astia	100014
5	Kansi ja istuin	101669
6	Etuluukku	101695

6.2 LAITTEISTOPROSESSIN YLEISKUVA

Cinderella-käymälä on vian sattuessa turvallinen. Mikäli johonkin komponenttiin tai signaalinvälitykseen tulee vika, polttokäymälä siirtyy turvatilaan. Tällöin polttoa ei voida käynnistää, ja näytöllä näkyy virheilmoitus. Näin taataan, että komponenttien ja/tai signaalinvälityksen viat eivät aiheuta vaaratilanteita.

Polttokäymälän kannessa ja tuhkasäiliössä on hall-anturit. Normaalityllassa nämä anturit ovat auki ja laukeavat, kun ne joutuvat kosketuksiin tuhkasäiliön ulkopuolella ja kannen sisäpuolella olevien magneettien kanssa.

Kun kansi avataan, aksiaalipuhallin alkaa tuulettaa järjestelmää. Jokaisen käyttökerran jälkeen käynnistetään uusi poltto painamalla ohjauspaneelin käynnistuspainiketta. Suojapussi sisältöineen putoaa käymälän altaasta polttokammioon, missä se poltetaan turvallisesti korkeassa lämpötilassa.

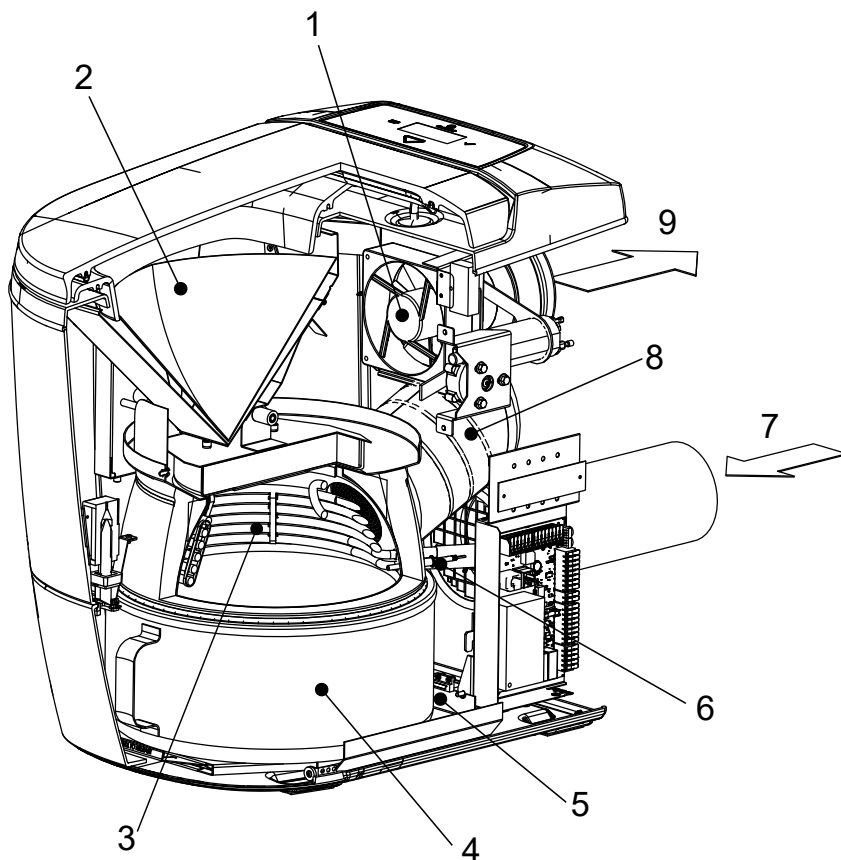
Luukkumekanismia valvoo kaksi mikrokytkintä, joista toinen sijaitsee käymälän rungon yläosassa ja valvoo luukkua sen ollessa avoinna, ja toinen sijaitsee käymälän etuosassa alhaalla ja valvoo luukkua sen ollessa suljettuna.

Laitteeseen syötetään polton aikana ilmaa, joka takaa poltossa tarvittavan hapen saannin. Savuhormi poistaa liiallista kuumuutta. Savu ja kaasut kulkevat kuumuuden aktivoiman platinakatalysaattorin läpi, mikä pienentää päästöjä ja hajunmuodostusta.

Polttokammion sisälämpötilaa valvoo kammion sisäpuolella oleva lämpöpari. Käymälän istuimen sisälämpötilaa valvoo sisärunkoon kiinnitetty kaksimetallinen termostaatti.

Poltto kestää 40–180 minuuttia, ja sitä valvoo laitteen anturitekniologia. Käymälää voi käyttää milloin tahansa polton aikana. Polttoprosessi keskeytyy, kun kansi avataan, ja käynnistyy automaattisesti, kun kansi suljetaan. Käymälässä on lukuisia turvaominaisuuksia, jotka takaavat turvallisen käytön. Lisätietoa on tämän ohjekirjan kohdassa 3.4.

6.3 TEKNINEN PEREHDYTYS



NRO	OSAN KUVAUS
1	Aksiaalipuhallin
2	Suojapussi altaassa
3	Lämmityselementti
4	Tuhkasäiliö
5	Hall-anturi
6	Lämpöelementit
7	Korvausilma
8	Katalysaattori
9	Poistoilma

7. TAKUU

Mitä takuu kattaa?

Tämä takuu kattaa Cinderella-polttokäymälän materiaali- ja valmistusvirheet. Takuun voimassaoloaika on ilmoitettu jäljempänä, samoin poikkeukset takuun voimassaoloon.

Mitä takuu ei kata?

Tämä takuu ei kata normaalista käytöstä aiheutuvaa kulumista eikä onnettomuuksista (mukaan lukien tulipalo, tulva, hirmumyrsky ja muut luonnonmullistukset), väärinkäytöstä, virheellisestä käytöstä, valmistajan ohjeiden laiminlyönnistä tai riittämättömästä huollosta aiheutuvia vahinkoja. Tämä takuu ei kata välillisiä tai muita epäsuoria vahinkoja. Cinderella Eco Group ei tarjoa paikan päällä -takuuta. Tämä tarkoittaa sitä, että käymälä on toimitettava huollettavaksi valtuutettuun huoltoliikkeeseen. Jos se ei ole mahdollista, jälleenmyyjällä on oikeus veloittaa kuljetus- tai matkakustannukset.

Kuinka kauan takuu on voimassa?

Kuluttajalle tämä takuu on voimassa kolme (3) vuotta tuotteen alkuperäisestä ostopäivästä. Ammattioistajille takuu on voimassa yhden (1) vuoden ostopäivästä.

Miten Cinderella Eco Group toimii takuuasioissa?

Jos esität oikeutetun takuuvaatimuksen, Cinderella Eco Group valintansa mukaan joko korjaa Cinderella-polttokäymälän, vaihtaa sen uuteen tai hyvittää sen ostohinnan.

Miten saan tuotteelle takuhuollon?

Varaa huolto ottamalla yhteyttä tuotteen myyjään tai valtuutettuun huoltoliikkeeseen. Huoltovaihtoehdot vaihtelevat maittain.

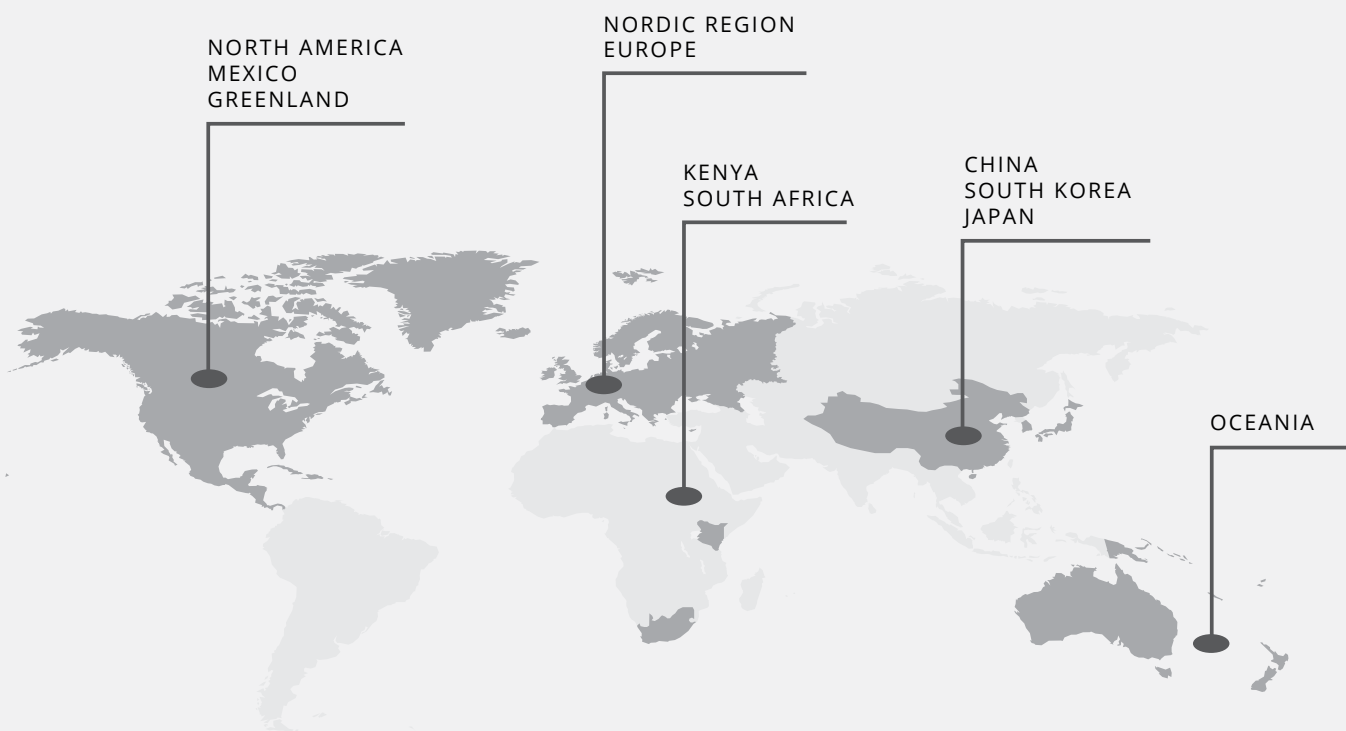
Takuuhuollon saadaksesi sinua voidaan pyytää esittämään ostokuitti. Tarkempaa tietoa takuusta on osoitteessa www.cinderellaeco.com

Cinderella Eco Group AS
Sjøvikvegen 67, 6475 Midsund, Norja
www.cinderellaeco.com



Cinderella[®]
Cinderella Eco Group

CINDERELLA'S GLOBAL PRESENCE



Cinderella Eco Group AS
Sjøvikvegen 67, NO-6475 Midsund, Norway
www.cinderellaeco.com