

MHB06	Cat. #		MCGREGOR®
	Job	Type	
			Approvals



67W & 97W



190W



MOUNTING OPTIONS



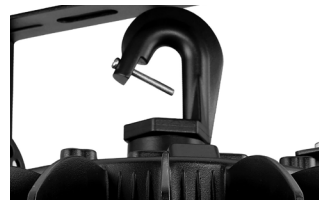
Housing

Die-cast aluminum housing with heat dissipating fins. Sealed design with silicone strip for use in wet locations.



Photometry

High Bay Photometry formed from high efficiency LEDs and scattering diffuser.



Installation accessory

Available for both hook mounting and surface mounting with bracket (optional). Bracket allows to adjust the direction to illuminate any area you need.

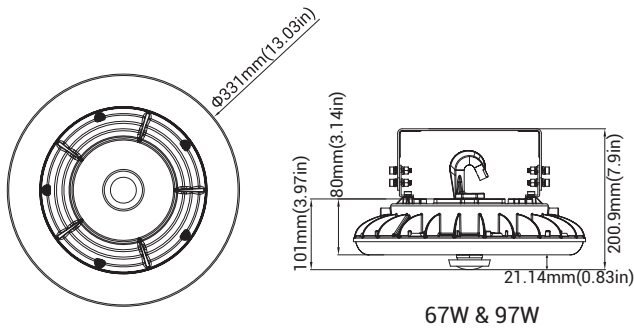


PIR motion sensor

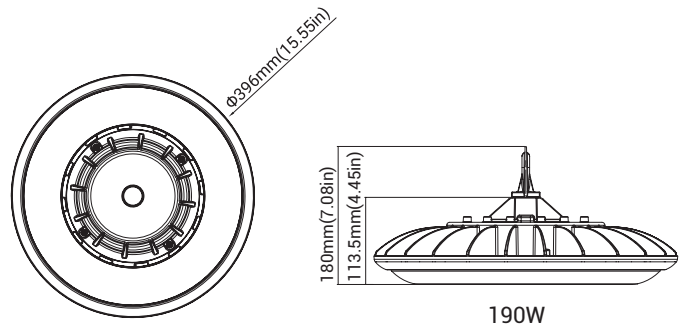
Optional motion sensor allows for security and energy saving.

DIMENSIONS

unit: mm/inch



67W & 97W



190W



© 2019 McGregor Lighting LLC All rights reserved. Due to our continued efforts to improve our products, product specifications are subject to change without notice. McGregor Lighting LLC reserves the right to make changes in specifications and/or to discontinue any product at any time without notice or obligation and will not be liable for any consequences resulting from the use of this publication.

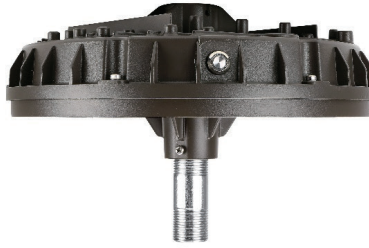
MCGREGOR®

McGregor Lighting LLC
support@mcgregorlighting.com
Website: mcgregorlighting.com



Motion Sensor

Integrated motion sensor available for on/off and dimming control for maximum energy savings.



Emergency Box

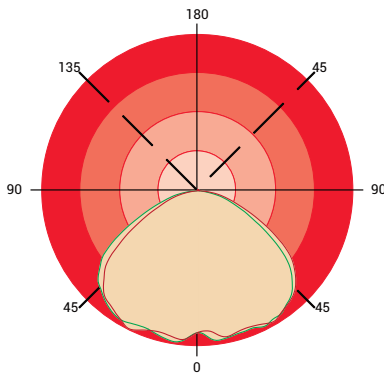
Emergency battery pack would provide the necessary brightness in emergency situations. Applicable ambient temperature is 10°C (50°F) to 40°C (104°F).



U-bracket

Use for surface mounting application. Available to adjust the angle of MHB06 to control the direction of irradiation.

PHOTOMETRICS



PERFORMANCE DATA

SYSTEM WATTS	PHOTOMETRY	VOLTAGE	4000K (80CRI)		5000K (80CRI)	
			LUMENS	LPW	LUMENS	LPW
67W	High Bay	120-277VAC	9100lm	136lm/W	9100lm	136lm/W
97W	High Bay	120-277VAC	12800lm	132lm/W	12800lm	132lm/W
140W	High Bay	120-277VAC/347-480V	18500lm	132lm/W	18500lm	132lm/W
190W	High Bay	120-277VAC/347-480V	25000lm	132lm/W	25000lm	132lm/W



© 2019 McGregor Lighting LLC All rights reserved.
 Due to our continued efforts to improve our products, product specifications are subject to change without notice. McGregor Lighting LLC reserves the right to make changes in specifications and/or to discontinue any product at any time without notice or obligation and will not be liable for any consequences resulting from the use of this publication.

MCGREGOR®

McGregor Lighting LLC
 support@mcgregorlighting.com
 Website: mcgregorlighting.com

ELECTRICAL DATA

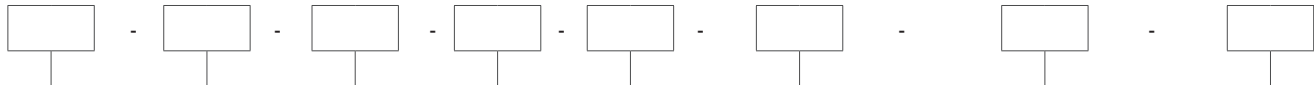
Number Of Drivers	Driver Current (mA)	Nominal Power (W)	INPUT VOLTAGE (V)	CURRENT (Amps)
1	1650	67	120	0.56
		67	208	0.32
		67	240	0.28
		67	277	0.24
1	2500	97	120	0.81
		97	208	0.47
		97	240	0.40
		97	277	0.35
2	3300	140	120	1.25
		140	208	0.72
		140	240	0.63
		140	277	0.54
	3200	140	347	0.43
		140	480	0.31
2	4800	190	120	1.67
		190	208	0.96
		190	240	0.83
		190	277	0.72
		190	347	0.58
		190	480	0.42

Suitable for commercial, retail and institutional applications including gymnasiums, factories and warehouse

Features

- » Sealed die-casting profile for indoor and outdoor applications.
- » Universal voltage of 120-277V&347-480V.
- » Best choice for replacing 250W MH and 400W MH.
- » Above 80 color rendition index compared to HPS.
- » Increase energy savings with bi-level motion sensor.
- » Optional emergency battery to serve in accidental situation.
- » Operating temperature is -40v to 50°C (-40°F to 122°F).
- » Hook mount, pendant mount and surface mount available.

ORDER MATRIX



FIXTURE TYPE	WATTAGE	VOLTAGE	CCT	FINISH	SENSOR (Option)	BACKUP BATTERY (OPTION)	INTERNAL CODE
MHB06	67 67W 97 97W 140 140W 190 190W	27V 120-277V 48V 347-480V	40K 4000K 50K 5000K	B Black	M Motion Sensor Blank Without Sensor	B Emergency Battery Blank Without Emergency Battery	Blank Alphanumeric

