

System components

EV-VH hatch vents



The hatch type AOV is certified to CE EN 12101-2 and provides discharge of smoke and fumes with an opening angle of 140 degrees.

A choice of lid is available from either a solid 40mm sandwich panel or a 10mm polycarbonate translucent panel. The 300mm high insulated base (U=1,41 W/m2K) is constructed from 1.25mm galvanised steel with a 20mm mineral wool infill.

The base is designed to be mounted on the top of a pre-constructed upstand and is supplied with a 140mm flange and a 35mm turndown.

Features:

- Easivent hatch vents are delivered as assembled units
- Certified to CE EN 12101-2
- 140 degrees opening angle
- Choice of lid available

Specifications:

1.0m² geometric free area

Nominal voltage:	24V DC (- 15 % / + 25 %)
Nominal current:	Polycarbonate lid - 1.6A Solid panel lid - 2.0A
Structural opening:	1,100mm L x 1,100mm W
Flange dimensions:	140mm wide c/w 35mm turndown
Base height:	300mm
Base insulation:	20mm mineral wool-(U=1,41 W/m2K)
Material:	2.0mm aluminium
Material finish:	External and internal both mill finish
Lid type - standard:	10mm Lexan - U<2.39W/m2K
Lid type - optional:	40mm solid panel- U=0.76W/m2K
Weight:	Approximately 70kg

1.5m² geometric free area

Nominal voltage:	24V DC (- 15 % / + 25 %)
Nominal current:	Polycarbonate lid - 2.0A Solid panel lid - 2.6A
Structural opening:	1,100mm L x 1,600mm W
Flange dimensions:	140mm wide c/w 35mm turndown
Base height:	300mm
Base insulation:	20mm mineral wool-(U=1,41 W/m2K)
Material:	2.0mm aluminium
Material finish:	External and internal both mill finish
Lid type - standard:	10mm Lexan - U<2.39W/m2K
Lid type - optional:	40mm Solid panel- U=0.76W/m2K
Weight:	Approximately 85kg

Easivent is part of the SCS Group

T2 Capital Business Park, Parkway, Cardiff, CF3 2PZ

0870 240 6460 easivent.co.uk



EV-VH-V1

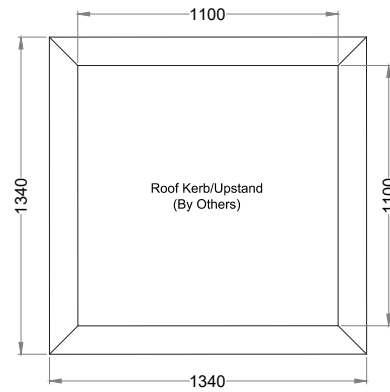
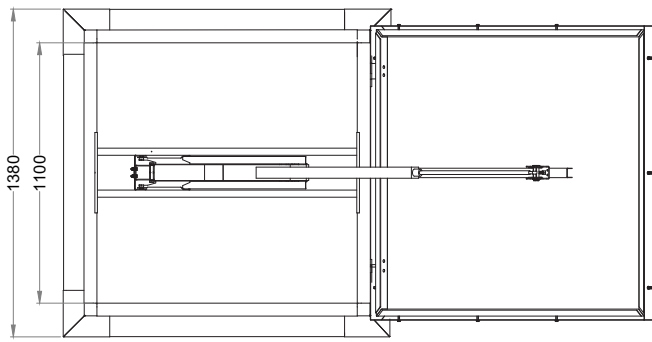
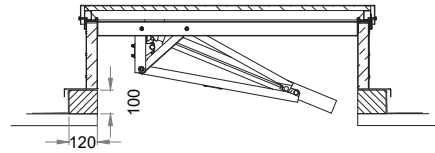
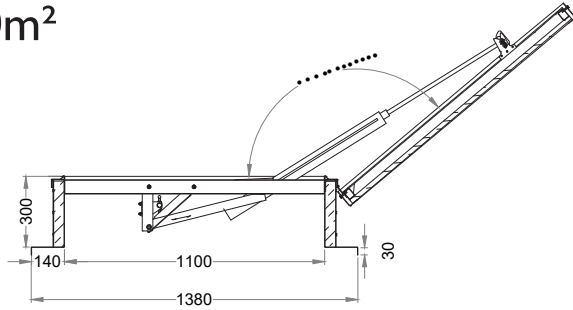
System components

EV-VH hatch vents

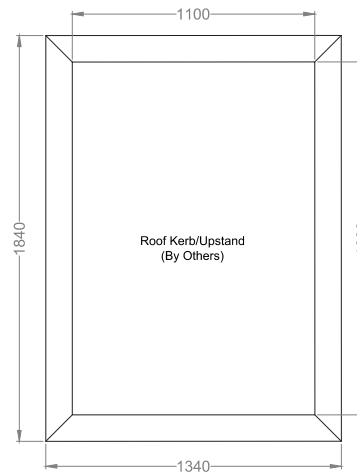
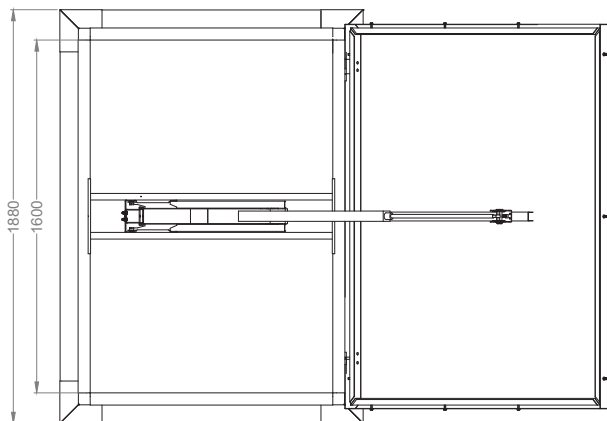
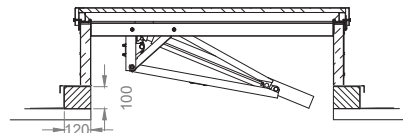
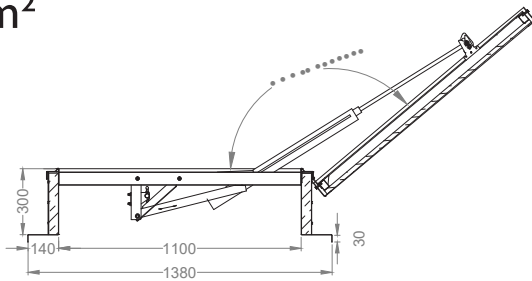


Dimensions and builder's work details:

1.0m²



1.5m²



Easivent is part of the SCS Group

T2 Capital Business Park, Parkway, Cardiff, CF3 2PZ

0870 240 6460 easivent.co.uk



EV-VH-V1

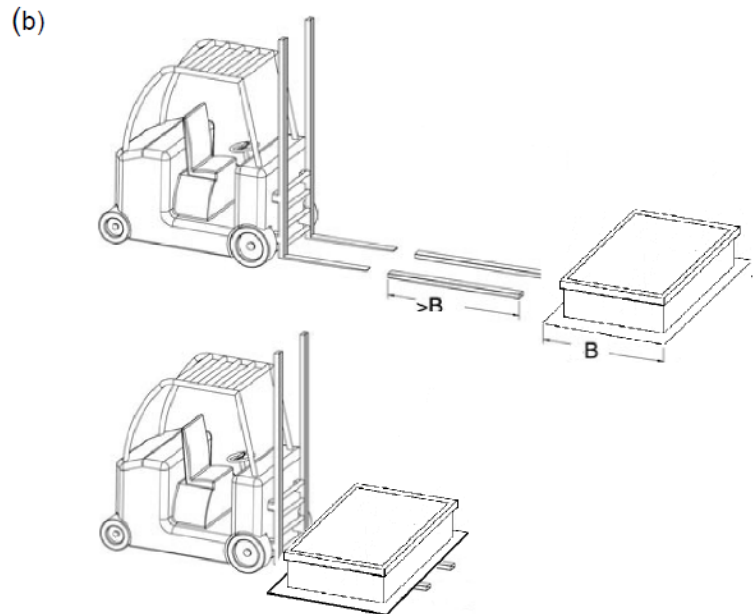
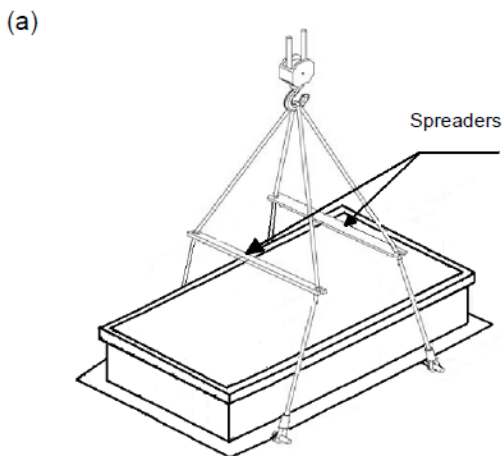
System components

EV-VH hatch vents



Transport and delivery:

Easivent hatch vents are delivered as assembled units. Unloading should be carried out in accordance with site procedures and RAMs in compliance with applicable occupational health and safety rules.



Pictures show transport by means of a crane (a) and forklift truck (b)

Installation instructions:

1: Ensure the curb is suitably constructed and weathered and check that the dimensions will allow at least 5mm clearance all round the base of the flange.

2: Lower the vent onto wooden battens to support the flange and drill suitably sized holes at centres shown in section 3.

Type of supporting structure	Recommended fixing sizes
Steel	min \varnothing 4.8mm
Concrete	min \varnothing 6mm
Timber	min \varnothing 6mm

Easivent is part of the SCS Group

T2 Capital Business Park, Parkway, Cardiff, CF3 2PZ

0870 240 6460 easivent.co.uk



EV-VH-V1

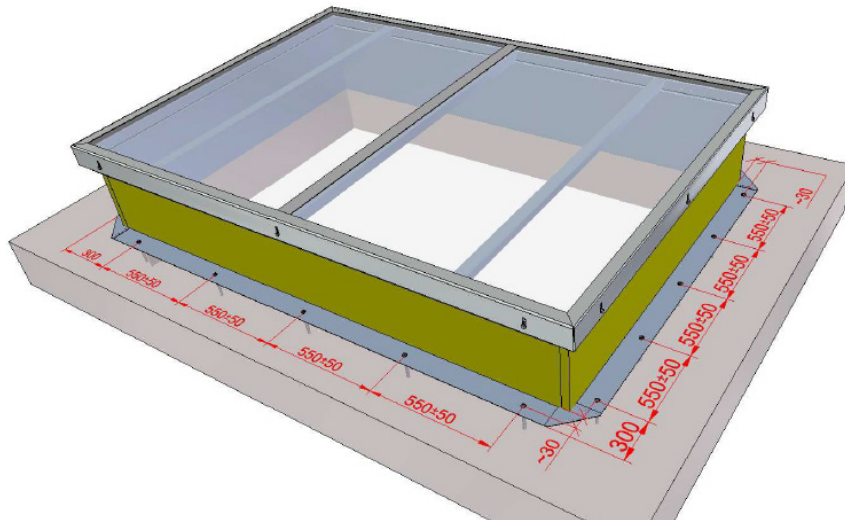
System components

EV-VH hatch vents

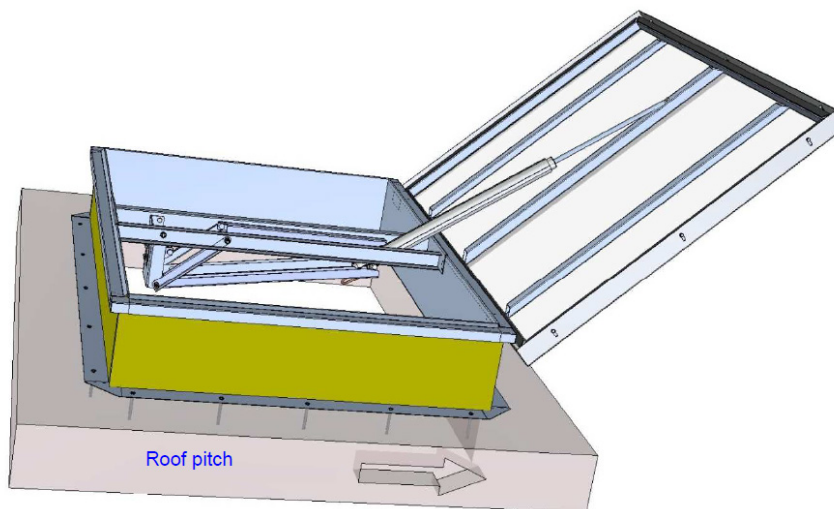


Installation instructions:

3: Apply a twin line of weather resistant mastic sealant to the top of the curb and lower the hatch into position. Check that vent is square and level.



4: If the vents are installed onto a pitched roof then the base must be positioned so that the hinge is the lowest point of the upstand.



5: Using the pre-drilled holes drill suitably sized holes into the supporting curb. Insert the correct size fixings and secure.

6: Connect the cabling into a junction box as per the following instructions:

The 3 core FP200 plus cabling from the zone should be terminated in a junction box adjacent to the hatch vent position. Connect the 24v actuator supply cable as follows and the vent will remain in the closed position:

Brown to +
Blue to -

Easivent is part of the SCS Group

T2 Capital Business Park, Parkway, Cardiff, CF3 2PZ

0870 240 6460 easivent.co.uk



EV-VH-V1