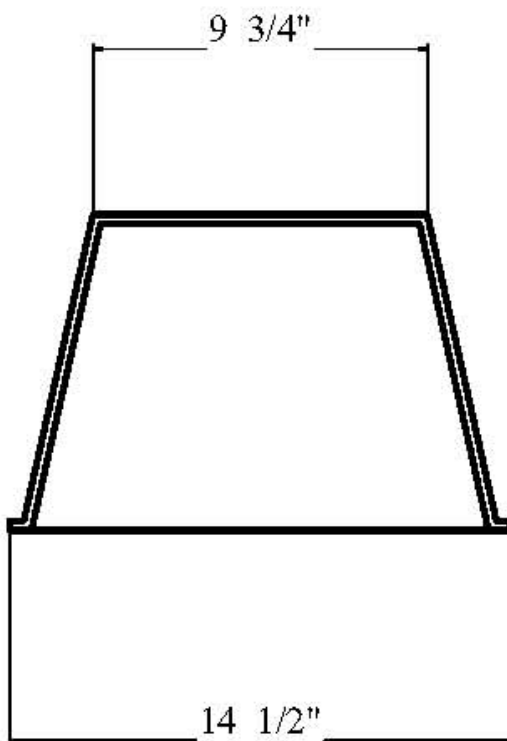
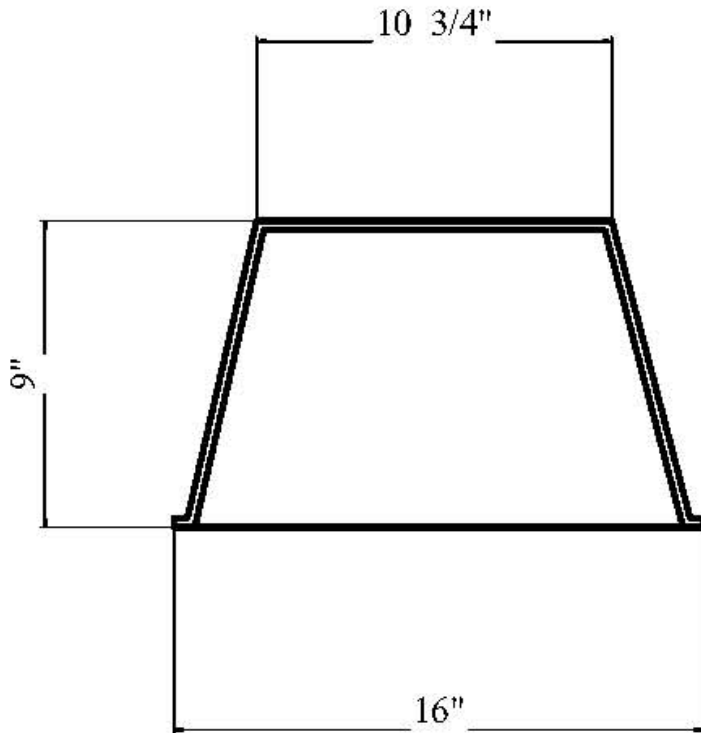


MODEL FF130E Recessed Light Cover


Model Number	Outside Height	Outside Length	Outside Width
FF130E	9"	16"	14 1/2"

Performance Data
For Use:

- Prevents insulation from coming in contact with recessed light fixtures.
- Can be used in conjunction with wide range of recessed lights.
- Compatible with sprayed foam insulation, low density foam, blown-in insulation and lay-in insulation.
- Suitable for attic spaces, ceiling spaces, insulated ceilings, and drop ceilings.

General Information
Benefits:

- Fire Resistant.
- Energy Saving.
- Reduces draft problems.
- Prevents heat loss through the fixture.
- Reduces airflow from the outside.
- Added Flange for improved draftstopping capabilities.
- Enhances the acoustic protection of the ceiling.
- Prevents insects and other small animals from entering through the light.
- Lightweight (approx. 1 lbs.).
- Easy to fit without special tools.
- Maintenance free.

Manufactured By
Tenmat Ltd

23 Copper Drive
 Newport, DE 19804
 Phone: (302) 633-6600
 Fax: (302) 633-6838
 Email: info@tenmatusa.com
www.recessedlightcover.com