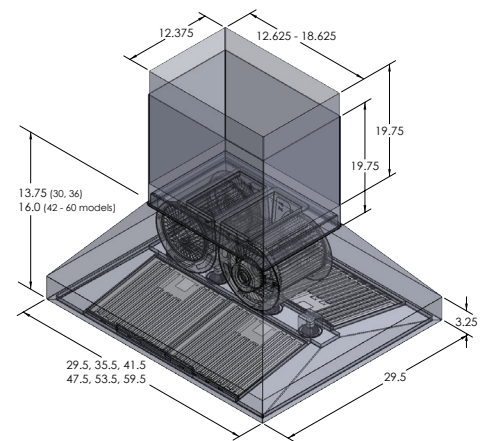




The ProSI is a fantastic statement piece for your kitchen. It provides full coverage of your range. The 1800 CFM dual or single 900 CFM blower on this island range hood is more than enough to vent all the grease and smoke from your kitchen air. Whether you're cooking for yourself or for 20 people, you don't have to worry about pesky smells and smoke filling the room. We manufacture our island hoods with the customer in mind and the ProSI is no different. The four-speed control panel on the front of the hood allows you to adjust the blower speed four ways to match your cooking style. The LED lights also make your job in the kitchen much easier. Not to mention that dishwasher-safe stainless steel baffle filters save you time and effort, allowing you to focus less on cleaning and more on cooking. Read more about our professional ProSI island hood below.



Configuration and Dimensions

| | |
|---------------------------|------------------------------|
| Hood Type | Under Cabinet |
| Sizes Available | 30 36 42 48 54 60 |
| 30" Dimensions. | 29.5" W x 29.5" D x 13.75" H |
| 36" Dimensions. | 35.5" W x 29.5" D x 13.75" H |
| 42" Dimensions. | 41.5" W x 29.5" D x 16" H |
| 48" Dimensions. | 47.5" W x 29.5" D x 16" H |
| 54" Dimensions. | 53.5" W x 29.5" D x 16" H |
| 60" Dimensions. | 59.5" W x 29.5" D x 16" H |

Features

| | |
|------------------------|------------------|
| Control Type | .LCD Touch Panel |
| Lighting | .LED |

Ventilation System

| | |
|---------------------------------------|---|
| Maximum Air Flow Capacity | 30" (900) or 36"-60" (1800) CFM |
| Speed Levels | .4 Speeds |
| Airflow (Quiet/Low/Med/High). | 30" (225/450/675/900) or 36"-60" (450/900/1350/1800) |
| Noise Level | .51.2 or 56.1 db or 5 or 7 Sones Max |
| Duct Type/Size | Round 30" (6) or 36"-60" (10) |
| Voltage | .110v |
| Motor | .30" Single or 36"-60" Dual |
| Filter Type | .Stainless Steel Baffle (Dishwasher Safe) |
| Material | .High Quality 430 Stainless Steel |
| Warranty | .3 Year Parts Warranty |