



PORTUGAL'2021

GLASSWARE PORTFOLIO & CUSTOMIZED SOLUTIONS



GLASSWARE PORTFOLIO

HIGHLIGHTS	.04	Starla	.12	Endessa	.22	Souk	.35
		Tradition	.10	Ensemble	.20	Stark	.21
STEMWARE	.06	Tulipa	.16	Ensemble Black Stripe	.20	Starla	.33
				Envy	.23	Stemless	.25
Abbey	.16	TUMBLERS	.18	Everest	.43	Tarq	.42
Ana	.12			Flashback	.31	That's Life	.30
Âncora	.10	Aether	.32	Galão	.35	The Gats	.33
Arôme beer	.16	Amón	.46	Giant	.47	Tube	.46
Arôme gin	.15	Arch	.23	Gibraltar	.40	Tulipa	.35
Baco	.16	Arôme	.27	Hedonê	.30	Up-On	.37
Belém	.12	Ártico	.38	Hobstar	.31	Wave	.24
Braga	.16	Astro	.35	Ibiza	.46	Winchester	.42
Bruges	.17	Atlanta II	.45	In2one	.36	York	.24
Catavinos	.10	Atom	.22	L' Esprit du Vin	.20		
Copacabana	.15	Aura	.20	Lexington	.28	MUGS	.48
Country	.12	Balice	.20	LinQ	.43	Acapulco	.53
D'Vinus	.08	Bar	.26	Napoli Grande	.24	Bill	.52
Emotions	.12	Barrilito	.47	New York	.32	Coral	.50
Essenza	.10	Bermuda	.36	Mixing Glass	.34	Country	.52
Gemini	.10	Bliss	.25	Modern America	.41	Flashback	.58
Gran Cerveza	.16	Can Glass	.25	Olympéa	.34	Fluted Whiskey	.61
Gran Service	.15	Carats	.32	Only	.24	Funchal	.57
Hedonê	.10	Cheers	.33	Paneled	.42	Hobstar	.61
Hobstar	.12	Chicago	.28	Philia	.30	lates	.60
Hurricane Squall	.15	Chicago Bubble	.28	Pisa	.36	In2one Salad	.56
In2one	.12	Cidra	.26	Príncipe	.46	In2one Dessert	.56
Mónaco	.10	Country	.35	Profile	.47	In2one Ice Cream	.56
Monastic	.17	Craft Beer	.47	Pyramid	.36	Luna Salad	.56
Munique	.17	Czar	.47	Rayo	.37	Luna Dessert	.56
Original	.12	Diplomata	.38	Radiant	.31	Orkney	.60
Roma	.09	Divergence	.30	Reflex	.32	Oval	.57
Sevilha	.16	Duchesse	.38	Silhueta	.47	Plantarum	.56
Siam	.16	Emotions	.30	Slim Can	.25	Primavera	.57
Spirit	.08	Endeavor	.44	Slim & Cool	.26	Restaurant Basics	.60

COMPLEMENTS & OTHERS

Andaluzia	.60
Apolo	.60
Ártico	.60
Atom	.61
Balice	.59
Berna	.58
Camel	.58
Capri	.56
Carats	.58
Chicago	.60
Cosmos Salad	.56
Cosmos Dessert	.56
Country	.56
Endessa	.61
Ensemble	.58
Ensemble Black Stripe	.59
Flashback	.58
Fluted Whiskey	.61
Funchal	.57
Hobstar	.61
lates	.60
In2one Salad	.56
In2one Dessert	.56
In2one Ice Cream	.56
Luna Salad	.56
Luna Dessert	.56
Orkney	.60
Oval	.57
Plantarum	.56
Primavera	.57
Restaurant Basics	.60

Slim & Cool	.59
Short Cocktail	.58
Shorty	.58
Tall Whiskey	.61
Tequila Shooter	.61
Tequilha	.60
Valência	.60
Whiskey Shot	.61

FLOWER & CANDLE .62

Adágio	.64
Bloom	.65
Bremen	.64
Bulb	.65
Essen	.64
Estrela	.64
Mercury	.64
Norge	.64
Plantarum	.65
Sonata	.64
Status	.65
Svenska	.64
Tobago	.65

CUSTOMIZED SOLUTIONS

GLASS DESIGN	.66
Wall Embossing	.68
Stem Embossing	.68
Bottom / footplate Embossing	.68
Stackability	.69
Different plungers	.69
Coloured glass	.69
DECORATIONS	.70
Silk Screening	.72
Decal	.73
Laser	.73
Tampon	.73
Sand blasting	.73
Spraying	.74
Special effects	.75
Precious Metals	.76
Combinations	.77
PACKAGING	.78
Standard packaging	.80
Special packaging	.81
SPECIAL FEATURES	
Duratuff	.39
Stackability	.42
LOGISTIC INFORMATION	.83

BEER

Despite the increasing popularity of Craft Beer, traditional beer styles, such as pilsners, still represent the majority of global beer consumption. Beer mugs are also quite popular in central European countries, where beer is normally served in large tankards.



PROST

BIG DECORATION AREA
BEER
PAGE 51



DIPLOMATA

RANGE EXTENSION
BEER, COCKTAILS & SOFT DRINKS
PAGE 38

ART DECO STYLE

Art Deco is one of the most inspiring, opulent and glamorous periods in design history - the Gatsby era. Feels so tied to a specific moment in time yet still looks so modern. This trend remains and will inspire the visual language of the future.



MODERN AMERICA

REVIVAL ICONIC RANGE
SPIRITS & COCKTAILS
PAGE 41



DIVERGENCE

ELEGANCE AND DELICACY
SPIRITS & COCKTAILS
PAGE 30



THE GATS

SOPHISTICATED GOLDEN AGE DESIGN
SPIRITS & COCKTAILS
PAGE 33

LIFESTYLE

Hometainment is the market trend of the moment. The world's new reality forced consumers to redefine their habits as they stay at home longer. With the limitations of socializing outside, people invest more in embellishing their home environment and try to mimic the ambiance of bars and restaurants they use to visit.



SLIM CAN

TRENDY AND VERSATILE
COCKTAILS, SODA OR RTDs
PAGE 25



STATUS

ELEGANT ATMOSPHERES
FLOWER & CANDLE
PAGE 65

VINTAGE

Vintage is still going strong after being one of the biggest trends in the last years. Libbey's modern vintage designs are inspired by the roaring '20s and the speakeasy bars from the prohibition era. This trend is never going out of fashion, especially for being a classy, luxurious and extremely sexy theme.



CHEERS

TIMELESS STYLE
2 NEW COCKTAIL TUMBLERS
PAGE 33



STARLA

VINTAGE GLAMOUR
2 NEW COCKTAIL GLASSES
PAGE 33



HOBSTAR

CLASSY AND STURDY
NEW COCKTAIL'S HB
PAGE 31

HIGHLIGHTS

Libbey's portfolio includes a variety of glassware products for different market segments, adapted to the evolution of consumers' behaviour and to the constant changes of the market. Every year, market trends are the starting point for the development of new products for different purposes and uses, or original concepts for new types of drinks, matching consumers' needs.

STANDARD GLASSWARE

Multi-functional glasses ideal for any occasion and different environments.



ASTRO

CLASSIC PANELED DESIGN
MULTI-PURPOSE TUMBLERS
PAGE 35



SOUK

ROBUST FACETED SHAPES
MUDDLED COCKTAILS
PAGE 35

STACKABLE SHAPES

Stackable glasses need to be able to deal with the rigors of daily life. Libbey develops glasses designed to reduce the problems with stacking. Clever designs to ensure straight stacking.



RAYO

RIPPLED DESIGN
STACKABLE RANGE
PAGE 37



TARQ

DURATUFF TUMBLERS
STACKABLE RANGE
PAGE 42



UP-ON

MULTI-FUNCTIONAL RANGE
STACKABLE RANGE
PAGE 37

STEMWARE

PORTFOLIO

Libbey Portugal portfolio includes glassware products suitable for every customer, despite the business area, market segment or region.

The production capabilities offer a wide range of possibilities: from blown and fix-blown pieces to pressed items and stemware.

Stemware ranges vary from modern chic 2 piece stemware to sturdy vintage look pressed items. Elegant high-stem glasses suitable for northern european countries and low-stem ranges more appropriate for Mediterranean cultures.

Two piece stemware ranges with a cracked-off rim and thicker walls offering an extra breakage resistance, a very important feature especially for the beer segment, which justifies the amount of different shapes for this market.



SPIRIT



3644VCL58 MTD
Wine
58 cl . 19,6 oz | w 265 gr ≈
h 211,6 mm | ø 99,5 mm ≈



3643VCL42 MTD
Wine
42 cl . 14,2 oz | w 236 gr ≈
h 181,6 mm | ø 99,5 mm ≈



3642VCL58
Wine
58 cl . 19,6 oz | w 240 gr ≈
h 213,6 mm | ø 94,4 mm ≈



3656VCL46
Water
46 cl . 15,6 oz | w 217 gr ≈
h 207,5 mm | ø 89 mm ≈



3656VCL35
Wine
35 cl . 11,8 oz | w 197 gr ≈
h 193 mm | ø 82 mm ≈



3656VCL30 MTD
Wine
30 cl . 10,1 oz | w 146 gr ≈
h 187 mm | ø 77 mm ≈



3656VCL24 MTD
Wine
24 cl . 8,1 oz | w 141 gr ≈
h 179 mm | ø 72 mm ≈



3656VCL20
Champagne
20 cl . 6,8 oz | w 145 gr ≈
h 203 mm | ø 69 mm ≈

D'VINUS



3687VCL28 MTD
Wine / Water
28 cl . 9,47 oz | w 240 gr ≈
h 182,5 mm | ø 86 mm ≈



3687VCL22 MTD
Wine
22 cl . 7,43 oz | w 150 gr ≈
h 176,5 mm | ø 80 mm ≈



3687VCL18 MTD
Champagne
18 cl . 6,08 oz | w 145 gr ≈
h 207,5 mm | ø 69 mm ≈

ROMA



3364VCL42
Wine / Water
42 cl . 14,2 oz | w 185 gr ≈
h 190 mm | ø 87 mm ≈



3364VCL34
Wine
34 cl . 11,5 oz | w 200 gr ≈
h 183,5 mm | ø 81 mm ≈



3364VCL24
Wine
24 cl . 8,11 oz | w 159 gr ≈
h 169,5 mm | ø 75 mm ≈



3364VCL20
Wine
20 cl . 6,76 oz | w 125 gr ≈
h 154 mm | ø 68,5 mm ≈



3364VCL17
Champagne
19 cl . 6,42 oz | w 153 gr ≈
h 198 mm | ø 63 mm ≈



MÓNACO



3359VCL42 MITO
Wine / Water
42 cl . 14,2 oz | w 185 gr ≈
h 190 mm | ø 87 mm ≈



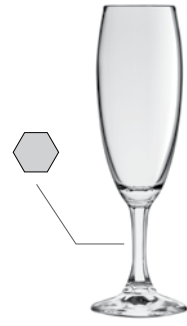
3359VCL34 MITO
Wine
34 cl . 11,5 oz | w 180 gr ≈
h 183,5 mm | ø 81 mm ≈



3359VCL24 MITO
Wine
24 cl . 8,11 oz | w 154 gr ≈
h 169,5 mm | ø 75 mm ≈



3359VCL20 MITO
Wine
20 cl . 6,76 oz | w 110 gr ≈
h 154 mm | ø 68,5 mm ≈



3359VCL17 MITO
Champagne
19 cl . 6,42 oz | w 145 gr ≈
h 198 mm | ø 63 mm ≈

ESSENZA



3686VCL30 MITO
Wine / Water
30 cl . 10,1 oz | w 180 gr ≈
h 141,5 mm | ø 77 mm ≈



3686VCL24 MITO
Wine
24 cl . 8,1 oz | w 170 gr ≈
h 133,4 mm | ø 72 mm ≈



3686VCL20 MITO
Champagne
20 cl . 6,76 oz | w 170 gr ≈
h 157,5 mm | ø 69 mm ≈



2042VCL14
Wine
14 cl . 4,73 oz | w 175 gr ≈
h 88 mm | ø 68 mm ≈

ÂNCORA



CATAVINOS



3565VCL21 MITO
Sherry
21 cl . 7 oz | w 130 gr ≈
h 155mm | ø 63,9 mm ≈



3337VCL15
Sherry
15 cl . 5,07 oz | w 105 gr ≈
h 151,5 mm | ø 58 mm ≈



3301VCL28
Water
28 cl . 9,5 oz | w 200 gr ≈
h 130 mm | ø 76 mm ≈



3301VCL19
Wine
19 cl . 6,42 oz | w 165 gr ≈
h 118 mm | ø 67 mm ≈

GEMINI

TRADITION



3434VCL28
Wine / Water
28 cl . 9,46 oz | w 185 gr ≈
h 137 mm | ø 86 mm ≈



3434VCL22
Wine
22 cl . 7,43 oz | w 170 gr ≈
h 131 mm | ø 80 mm ≈



3434VCL18
Champagne
18 cl . 6,08 oz | w 165 gr ≈
h 162 mm | ø 69 mm ≈



PAGE 30



4866VCL35
Wine / Water
35 cl . 11,8 oz | w 240 gr ≈
h 152,8 mm | ø 91 mm ≈

HEDONÉ

BELEM



2178VCL24
Water
24 cl . 8,11 oz | w 230 gr ≈
h 159 mm | ø 82 mm ≈



2178VCL18
Wine
18 cl . 6,08 oz | w 180 gr ≈
h 144 mm | ø 74,2 mm ≈



2178VCL12
Champagne
12 cl . 4,05 oz | w 170 gr ≈
h 157,7 mm | ø 60 mm ≈

MTD ALSO AVAILABLE
IN COLOURED GLASS



ANA



2098VCL25
Water
25 cl . 8,45 oz | w 250 gr ≈
h 132 mm | ø 83,2 mm ≈



2098VCL19
Wine
19 cl . 6,42 oz | w 215 gr ≈
h 121,5 mm | ø 76,4 mm ≈



2098VCL13
Champagne
13 cl . 4,39 oz | w 215 gr ≈
h 167 mm | ø 60 mm ≈

MTD ALSO AVAILABLE
IN COLOURED GLASS



INZONE



2782VCL32 MTD
Wine / Water
32 cl . 10,82 oz | w 350 gr ≈
h 167 mm | ø 91,5 mm ≈



EMOTIONS



2781VCL32 MTD
Wine / Water
32 cl . 10,82 oz | w 345 gr ≈
h 167 mm | ø 91,5 mm ≈



ORIGINAL



2780VCL32 MTD
Wine / Water
32 cl . 10,82 oz | w 345 gr ≈
h 167 mm | ø 91,5 mm ≈

COUNTRY



2247VCL42
Wine / Water
42 cl . 14,2 oz | w 413 gr ≈
h 183,5 mm | ø 96 mm ≈



2247VCL31
Water
31 cl . 10,48 oz | w 315 gr ≈
h 166,5 mm | ø 87,5 mm ≈



2247VCL19
Wine
19 cl . 6,42 oz | w 230 gr ≈
h 150,7 mm | ø 74 mm ≈



2247VCL16
Champagne
16 cl . 5,41 oz | w 195 gr ≈
h 176 mm | ø 58 mm ≈



MTD ALSO AVAILABLE
IN COLOURED GLASS



HOBSTAR



2651VCL30
Wine / Water
30 cl . 10,1 oz | w 370 gr ≈
h 180 mm | ø 91,1 mm ≈



2651VCL25
Champagne
25 cl . 8,45 oz | w 245 gr ≈
h 121 mm | ø 104 mm ≈



STARLA



2939VCL29
Wine / Water
29 cl . 9,8 oz | w 290 gr ≈
h 162,3 mm | ø 82 mm ≈



2939VCL22
Wine / Water
22 cl . 7,44 oz | w 245 gr ≈
h 150,3 mm | ø 75 mm ≈



HURRICANE SQUALL



3927VCL44
Cocktails
44,5 cl . 15 oz | w 300 gr ≈
h 208 mm | ø 78 mm ≈

GRAN SERVICE



3517VCL60
Mixed Spirits
60 cl . 20,3 oz | w 295 gr ≈
h 160,5 mm | ø 110 mm ≈



3488VCL41
Mixed Spirits
41 cl . 13,86 oz | w 244 gr ≈
h 149,5 mm | ø 97,5 mm ≈

COPACABANA



3658VCL60
Mixed Spirits
60 cl . 20,3 oz | w 295 gr ≈
h 194 mm | ø 110 mm ≈

Item available only for Retail
and Foodservice channels.

ARÔME



M

PAGE 16

M

PAGE 27



3713VCL67
Mixed Spirits
67 cl . 22,7 oz | w 320 gr ≈
h 216 mm | ø 110 mm ≈



3713VCL60
Mixed Spirits
60 cl . 20,3 oz | w 320 gr ≈
h 203 mm | ø 110 mm ≈

GRAN CERVEZA



3518VCL46 **MTD**
Beer
46 cl . 15,5 oz | w 250 gr ≈
h 144,5 mm | ø 88 mm ≈

BRAGA



3402VCL37 **MTD**
Beer
37 cl . 12,51 oz | w 182 gr ≈
h 174 mm | ø 76 mm ≈

ABBEY



3647VCL43 **MTD**
Beer
43 cl . 14,48 oz | w 215 gr ≈
h 173,5 mm | ø 94,5 mm ≈



SEVILHA



3303VCL39 **MTD**
Beer
39 cl . 13,2 oz | w 220 gr ≈
h 189 mm | ø 79 mm ≈

BACO



3419VCL34 **MTD**
Beer
34 cl . 11,45 oz | w 214 gr ≈
h 174,5 mm | ø 75 mm ≈

TULIPA



3575VCL31 **MTD**
Beer
31 cl . 10,48 oz | w 205 gr ≈
h 190 mm | ø 67 mm ≈

MUNIQUE



3313VCL63 **MTD**
Beer
66 cl . 22,32 oz | w 290 gr ≈
h 208 mm | ø 94,2 mm ≈



3313VCL57
Beer
57 cl . 19,27 oz | w 275 gr ≈
h 190 mm | ø 94,2 mm ≈



3313VCL49
Beer
49 cl . 16,5 oz | w 250 gr ≈
h 199 mm | ø 85,5 mm ≈

MONASTIC



3990VCL44
Beer
44,5 cl . 15,05 oz | w 281 gr ≈
h 160 mm | ø 94 mm ≈

SIAM



3334VCL31
Beer
31 cl . 10,5 oz | w 195 gr ≈
h 166 mm | ø 71,8 mm ≈



ARÔME



3713VCL49
Beer
49 cl . 16,57 oz | w 298 gr ≈
h 201 mm | ø 94,5 mm ≈



3713VCL37
Beer
37 cl . 12,51 oz | w 239 gr ≈
h 182 mm | ø 86 mm ≈



3313VCL37
Beer
40 cl . 13,47 oz | w 235 gr ≈
h 180 mm | ø 79 mm ≈



3313VCL28
Beer
28 cl . 9,47 oz | w 190 gr ≈
h 164 mm | ø 74,6 mm ≈



3313VCL26
Beer
26 cl . 8,79 oz | w 200 gr ≈
h 165 mm | ø 70 mm ≈

BRUGES



3662VCL40
Beer
40 cl . 13,47 oz | w 230 gr ≈
h 151,5 mm | ø 87,7 mm ≈



TUMBLERS

PORTFOLIO

Libbey Portugal offers a wide and diverse tumbler portfolio. From thin and lightweight blown glasses with a cracked-off rim to strong and more resistant pressed items, the options are endless.

Elegant and simple designs with a nordic look and feel, perfect for casual chic environments; distinctive and contemporary shapes perfect for sophisticated ambiances; glamorous and stylish pieces for trendy vintage spaces.

Large ranges of pieces with several capacities and different shapes are suitable for any occasion and every purpose.

Specialized in producing glasses for the beer segment, Libbey Portugal has a big collection of beer tumblers with different shapes appropriate for the several types of beer.

AURA



3695VCP36
High ball
36 cl . 12,17 oz | w 175 gr ≈
h 135 mm | ø 70,5 mm ≈



3695VCP39
DOF
39 cl . 13,19 oz | w 160 gr ≈
h 100 mm | ø 85 mm ≈



3695VCP21
Cognac
21 cl . 7,1 oz | w 110 gr ≈
h 83 mm | ø 72 mm ≈

L'ESPRIT DU VIN



3540VCP35
High-ball
35 cl . 11,83 oz | w 230 gr ≈
h 135 mm | ø 70,5 mm ≈



3540VCP33
DOF
33 cl . 11,15 oz | w 275 gr ≈
h 99 mm | ø 84 mm ≈



3502VCP21
Cognac
21 cl . 7,10 oz | w 177 gr ≈
h 91 mm | ø 72 mm ≈

ENSEMBLE



3778VCP45
High ball
45 cl . 15,22 oz | w 211 gr ≈
h 117 mm | ø 85,5 mm ≈



3778VCP37
DOF
37 cl . 12,51 oz | w 175 gr ≈
h 86,5 mm | ø 89,7 mm ≈



3778VCP32 MTO
OF
32 cl . 11 oz | w 165 gr ≈
h 73,5 mm | ø 89,7 mm ≈



PAGE 58



PAGE 59



3778VCP37/STR1D1
DOF
37 cl . 12,51 oz | w 175 gr ≈
h 86,5 mm | ø 89,7 mm ≈

BALICE



PAGE 59



NEW

31041VCP35
DOF
35 cl . 11,75 oz | w 215 gr ≈
h 97,5 mm | ø 84 mm ≈



ENSEMBLE BLACK STRIPE

STARK



3789VCP41
Beverage
41 cl . 13,86 oz | w 340 gr ≈
h 176,5 mm | ø 67 mm ≈



3789VCP35
Beverage
35 cl . 11,83 oz | w 297 gr ≈
h 161,5 mm | ø 64,5 mm ≈



3789VCP25
Beverage
25 cl . 8,45 oz | w 260 gr ≈
h 136,5 mm | ø 60,5 mm ≈



3789VCP36
DOF
35 cl . 11,83 oz | w 325 gr ≈
h 98 mm | ø 83,5 mm ≈



3789VCP28
Rocks
28 cl . 9,47 oz | w 285 gr ≈
h 91,5 mm | ø 78,6 mm ≈

ENDESSA



3482VCP48 | 2347SR
Cooler
48 cl . 16,2 oz | w 330 gr ≈
h 177,8 mm | ø 71,4 mm ≈



3482VCP41 | 2346SR
High ball
41 cl . 13,8 oz | w 305 gr ≈
h 164 mm | ø 69,8 mm ≈



3482VCP35 | 2345SR
High ball
35 cl . 11,8 oz | w 308 gr ≈
h 162 mm | ø 66,7 mm ≈



3482VCP29 | 2343SR
Beverage
29 cl . 9,8 oz | w 265 gr ≈
h 146 mm | ø 64 mm ≈



3482VCP37 | 2344SR
DOF
36 cl . 12,17 oz | w 345 gr ≈
h 105 mm | ø 83 mm ≈

ENVY



3590VCP47 | 2296SR MTD
Cooler
47 cl . 16 oz | w 345 gr ≈
h 173,5 mm | ø 71,5 mm ≈



3590VCP41 | 2295SR
Beverage
41 cl . 14 oz | w 310 gr ≈
h 165 mm | ø 68,5 mm ≈



3590VCP35 | 2294SR
Beverage
35 cl . 12 oz | w 280 gr ≈
h 156 mm | ø 66,6 mm ≈



3590VCP29 | 2293SR
Beverage
29 cl . 10 oz | w 264 gr ≈
h 146 mm | ø 64 mm ≈



3590VCP32 | 2292SR
DOF
32 cl . 11 oz | w 315 gr ≈
h 106 mm | ø 78,5 mm ≈



3482VCP28 | 2342SR
OF
28 cl . 9,46 oz | w 290 gr ≈
h 94,5 mm | ø 78 mm ≈



3482VCP21 | 2341SR
Rocks
21 cl . 7,1 oz | w 263 gr ≈
h 90 mm | ø 72,2 mm ≈



3482VCP07 MTD
Shot glass
7 cl . 2,36 oz | w 125 gr ≈
h 74 mm | ø 49 mm ≈

ATOM



3820VCP41 MTD
High ball
41 cl . 14 oz | w 305 gr ≈
h 163,9 mm | ø 69,8 mm ≈



3820VCP36
High ball
36 cl . 12,17 oz | w 345 gr ≈
h 105,6 mm | ø 83 mm ≈



3820VCP07 MTD
Shot glass
07 cl . 2,36 oz | w 125 gr ≈
h 74 mm | ø 49 mm ≈



3590VCP26 | 2291SR MTD
OF
26 cl . 9 oz | w 275 gr ≈
h 94 mm | ø 74,5 mm ≈



3590VCP20 | 2290SR
Rocks
20 cl . 7 oz | w 245 gr ≈
h 84 mm | ø 71 mm ≈

ARCH



3428VCP44
High ball
44 cl . 14,8 oz | w 190 gr ≈
h 150 mm | ø 71,5 mm ≈



3428VCP34
OF
34 cl . 11,5 oz | w 175 gr ≈
h 92 mm | ø 80 mm ≈

YORK



3336VCP46 MTD
Cooler
46 cl . 15,5 oz | w 317 gr ≈
h 150 mm | ø 89,5 mm ≈



3336VCP36
High ball
36 cl . 12,7 oz | w 265 gr ≈
h 139 mm | ø 83 mm ≈



3336VCP30 MTD
High ball
30 cl . 7,10 oz | w 245 gr ≈
h 125 mm | ø 79,5 mm ≈



3336VCP27
Beverage
27 cl . 9,12 oz | w 255 gr ≈
h 119 mm | ø 77,8 mm ≈



3336VCP24 MTD
Beverage
24 cl . 8 oz | w 230 gr ≈
h 111 mm | ø 75,7 mm ≈

BLISS



3709VCP45 MTD
Cooler
45 cl . 15,22 oz | w 230 gr ≈
h 165 mm | ø 69,5 mm ≈



3709VCP41
Cooler
41 cl . 13,86 oz | w 220 gr ≈
h 153 mm | ø 69 mm ≈



3709VCP36
High ball
36 cl . 12,17 oz | w 200 gr ≈
h 146,5 mm | ø 66 mm ≈



3709VCP32
High ball
32 cl . 10,82 oz | w 190 gr ≈
h 134,5 mm | ø 65,6 mm ≈



3709VCP29 MTD
High ball
29 cl . 9,81 oz | w 190 gr ≈
h 131 mm | ø 63 mm ≈

NAPOLI GRANDE



3861VCP45
Cocktail
45 cl . 15,5 oz | w 305 gr ≈
h 216 mm | ø 78 mm ≈



3336VCP21
Beverage
21 cl . 7,1 oz | w 230 gr ≈
h 104 mm | ø 73,9 mm ≈



3336VCP35
DOF
35 cl . 12,6 oz | w 310 gr ≈
h 99 mm | ø 98,4 mm ≈



3336VCP28 MTD
OF
26 cl . 9 oz | w 255 gr ≈
h 84 mm | ø 91,6 mm ≈



3709VCP35
DOF
35 cl . 11,83 oz | w 190 gr ≈
h 98 mm | ø 78 mm ≈



3709VCP30
OF
30 cl . 10,14 oz | w 177 gr ≈
h 85 mm | ø 77 mm ≈



3709VCP24 MTD
Rocks
24 cl . 8,45 oz | w 157 gr ≈
h 84,3 mm | ø 71 mm ≈



31042VCP32 NEW
Beverage
31,8 cl . 10,75 oz | w 185 gr ≈
h 149,5 mm | ø 57,3 mm ≈

WAVE



3297VCP53 MTD
Cooler
53 cl . 17,92 oz | w 330 gr ≈
h 156 mm | ø 79 mm ≈



3297VCP36 MTD
DOF
36 cl . 12,17 oz | w 250 gr ≈
h 96 mm | ø 86 mm ≈

ONLY



3791VCP36 MTD
High ball
36 cl . 12,17 oz | w 175 gr ≈
h 135 mm | ø 72,5 mm ≈



3791VCP39 MTD
DOF
39 cl . 13,19 oz | w 160 gr ≈
h 100 mm | ø 88 mm ≈

STEMLESS



3775VCP49
Beverage
50 cl . 17 oz | w 210 gr ≈
h 114 mm | ø 89 mm ≈



3775VCP47
Beverage
47 cl . 16 oz | w 205 gr ≈
h 96,8 mm | ø 96,6 mm ≈

CAN GLASS



3864VCP47
Cocktail
47 cl . 16,75 oz | w 260 gr ≈
h 133 mm | ø 77 mm ≈



3864VCP35
Beverage
35 cl . 12 oz | w 235 gr ≈
h 122 mm | ø 69,3 mm ≈

BAR



3898VCP62
Cooler
62,5 cl . 21,1 oz | w 330 gr ≈
h 159 mm | ø 89,4 mm ≈



3898VCP57
Cooler
57 cl . 19,3 oz | w 310 gr ≈
h 149 mm | ø 88 mm ≈



3237VCP30 MTO
Beverage
30cl . 10,14 oz | w 170 gr ≈
h 112 mm | ø 70 mm ≈



3237VCP28
Beverage
28 cl . 11,5 oz | w 240 gr ≈
h 112 mm | ø 70 mm ≈



3237VCP24 MTO
Beverage
24 cl . 8 oz | w 163 gr ≈
h 99 mm | ø 68 mm ≈

SLIM & COOL



3237VCP21 MTO
Beverage
21 cl . 7,1 oz | w 183 gr ≈
h 105 mm | ø 65,2 mm ≈



3237VCP20
Beverage
20 cl . 6,76 oz | w 160 gr ≈
h 101 mm | ø 65 mm ≈



PAGE 59



3981VCP42
High ball
41,5 cl . 14,2 oz | w 260 gr ≈
h 155 mm | ø 70,5 mm ≈



3981VCP35
DOF
35 cl . 11,83 oz | w 195 gr ≈
h 97 mm | ø 78,8 mm ≈

CIDRA



3282VCP55
Cooler
56 cl . 18,90 oz | w 160 gr ≈
h 121 mm | ø 91 mm ≈



3282VCP37
Beverage
39 cl . 13,90 oz | w 130 gr ≈
h 90 mm | ø 86,7 mm ≈



3282VCP22
OF
22 cl . 7,43 oz | w 123 gr ≈
h 60 mm | ø 82,5 mm ≈



3426VCP49
Cooler
49 cl . 16,33 oz | w 255 gr ≈
h 121 mm | ø 88 mm ≈



3426VCP33
Beverage
33 cl . 11,2 oz | w 215 gr ≈
h 90 mm | ø 84 mm ≈

ARÔME



PAGE 16



PAGE 15



3713VCP35
DOF
35 cl . 11,83 oz | w 270 gr ≈
h 90,5 mm | ø 98 mm ≈



3713VCP29
Cognac
29 cl . 9,81 oz | w 188 gr ≈
h 88 mm | ø 92 mm ≈



3713VCP18
Tasting glass
18,5 cl . 6,2 oz | w 195 gr ≈
h 105 mm | ø 72,2 mm ≈

The arôme tumblers have been carefully designed to regulate the amount of alcohol released from the drink. A proper shape to serve cognacs and bandies, its convex area near the rim prevent any burning sensation in the nose, impacting the olfactory properties and allowing the aromatic complexity of the drink to stand out.



CHICAGO BUBBLE



NEW

3995VCP50 MITO
High ball
50 cl . 17 oz | w 403 gr ≈
h 160 mm | ø 74 mm ≈



NEW

3995VCP31 MITO
DOF
31 cl . 10,5 oz | w 322 gr ≈
h 92,5 mm | ø 80 mm ≈



CHICAGO



3710VCP31
Cooler
31 cl . 10,48 oz | w 260 gr ≈
h 166mm | ø 60 mm ≈



3710VCP23
High ball
22 cl . 7,78 oz | w 200 gr ≈
h 152 mm | ø 53,5 mm ≈



3710VCP29
High ball
29 cl . 9,81 oz | w 280 gr ≈
h 145 mm | ø 63 mm ≈



3710VCP22
Beverage
22 cl . 7,44 oz | w 225 gr ≈
h 131 mm | ø 58 mm ≈



3710VCP14
Beverage
14 cl . 4,73 oz | w 155 gr ≈
h 100 mm | ø 53,5 mm ≈



3899VCP31
Tall Hi-Ball
29,6 cl . 10 oz | w 269 gr ≈
h 152 mm | ø 64 mm ≈



3899VCP26
Hi-Ball
26,6 cl . 9 oz | w 235 gr ≈
h 121 mm | ø 64 mm ≈



3899VCP23
Hi-Ball
23,7 cl . 8 oz | w 233 gr ≈
h 114 mm | ø 60 mm ≈



3899VCP20
Hi-Ball
20,7 cl . 7 oz | w 210 gr ≈
h 102 mm | ø 60 mm ≈



3899VCP30
Old Fashioned
30,3 cl . 10,25 oz | w 295 gr ≈
h 89 mm | ø 83 mm ≈



3265VCP42 MITO
DOF
42 cl . 14,14 oz | w 400 gr ≈
h 95 mm | ø 89 mm ≈



3710VCP30
DOF
30 cl . 10,14 oz | w 310 gr ≈
h 92,5 mm | ø 80 mm ≈



3710VCP20
OF
20 cl . 6,76 oz | w 280 gr ≈
h 84,5 mm | ø 71,5 mm ≈



3710VCP10 MITO
Beverage
10 cl . 3,38 oz | w 140 gr ≈
h 72,5 mm | ø 53 mm ≈



3710VCP07
Shot glass
7 cl . 2,37 oz | w 100 gr ≈
h 105 mm | ø 40 mm ≈



3899VCP22
Old Fashioned
22,9 cl . 7,75 oz | w 240 gr ≈
h 89 mm | ø 73 mm ≈



3899VCP15
Juice
14,8 cl . 5 oz | w 155 gr ≈
h 89 mm | ø 57 mm ≈



3899VCP08
Jigger
8,9 cl . 3 oz | w 97 gr ≈
h 67 mm | ø 51 mm ≈

DIVERGENCE



NEW

4985VCP41
High Ball
41 cl . 13,75 oz | w 280 gr ≈
h 137,5 mm | ø 92,7 mm ≈



NEW

4985VCP35
Beverage
35 cl . 11,75 oz | w 265 gr ≈
h 117,5 mm | ø 92,7 mm ≈



NEW

4985VCP29
Rocks
29 cl . 9,75 oz | w 215 gr ≈
h 82,7 mm | ø 94,2 mm ≈

HEDONÊ



PAGE 11



4827VCP34
Beverage
34 cl . 11,5 oz | w 211 gr ≈
h 110 mm | ø 91,4 mm ≈



EMOTIONS



4574VCP38
Beverage
38 cl . 13,6 oz | w 190 gr ≈
h 109,5 mm | ø 86 mm ≈



M

PAGE 13

4574VCP30 **MTD**
Beverage
30 cl . 10,71 oz | w 190 gr ≈
h 93 mm | ø 86 mm ≈

PHILIA



4862VCP34 **MTD**
Beverage
34 cl . 11,5 oz | w 211 gr ≈
h 110 mm | ø 91,4 mm ≈

HOBSTAR



2651VCP47
Cooler
47 cl . 16 oz | w 545 gr ≈
h 156,5 mm | ø 84 mm ≈



NEW

2651VCP36
High Ball
35,5 cl . 12 oz | w 445 gr ≈
h 144 mm | ø 77,5 mm ≈



2651VCP35
DOF
35 cl . 12,5 oz | w 445 gr ≈
h 106 mm | ø 88,9 mm ≈



M

PAGE 13

2651VCP06
Shot glass
06 cl . 2,03 oz | w 80 gr ≈
h 60 mm | ø 50 mm ≈

THAT'S LIFE



4867VCP38 (HOPE) **MTD**
DOF
38 cl . 12,85 oz | w 276 gr ≈
h 96 mm | ø 92,4 mm ≈



4868VCP38 (LOVE) **MTD**
DOF
38 cl . 12,85 oz | w 276 gr ≈
h 96 mm | ø 92,4 mm ≈



4869VCP38 (PEACE) **MTD**
DOF
38 cl . 12,85 oz | w 276 gr ≈
h 96 mm | ø 92,4 mm ≈



4870VCP38 (JOY) **MTD**
DOF
38 cl . 12,85 oz | w 276 gr ≈
h 96 mm | ø 92,4 mm ≈

FLASHBACK



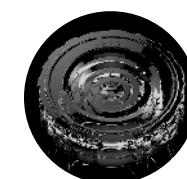
2934VCP47
Cooler
47 cl . 16 oz | w 605 gr ≈
h 166,5 mm | ø 79 mm ≈



M

PAGE 58

2934VCP35
DOF
35 cl . 12,5 oz | w 510 gr ≈
h 105,5 mm | ø 87 mm ≈



BOTTOM
EMBOSSMENT



2773VCP47
Cooler
47 cl . 16 oz | w 550 gr ≈
h 157 mm | ø 84 mm ≈



2773VCP35
DOF
35 cl . 12,5 oz | w 435 gr ≈
h 106 mm | ø 89 mm ≈

RADIANT

AETHER



2975VCP41
High ball
41 cl. 13,86 oz | w 445 gr ≈
h 135,5 mm | ø 83 mm ≈



2975VCP35
DOF
35 cl. 12,5 oz | w 350 gr ≈
h 94 mm | ø 91,4 mm ≈

AETHER CRACKED



2980VCP41
High ball
41 cl. 13,86 oz | w 445 gr ≈
h 135,5 mm | ø 83 mm ≈



2979VCP41
High ball
41 cl. 13,86 oz | w 445 gr ≈
h 135,5 mm | ø 83 mm ≈

AETHER ROCK



2976VCP32
DOF
32 cl. 11 oz | w 490 gr ≈
h 94 mm | ø 91,4 mm ≈



2977VCP35
DOF
35 cl. 12,5 oz | w 350 gr ≈
h 94 mm | ø 91,4 mm ≈

CARATS



2711VCP41
High ball
41 cl. 13,86 oz | w 435 gr ≈
h 154 mm | ø 78 mm ≈



2711VCP35
DOF
35 cl. 12,5 oz | w 435 gr ≈
h 106 mm | ø 88,9 mm ≈

REFLEX



2454VCP50
Cooler
50 cl. 16,9 oz | w 485 gr ≈
h 166 mm | ø 79 mm ≈



2454VCP40 ^{MTD}
DOF
40 cl. 13,5 oz | w 380 gr ≈
h 105 mm | ø 87 mm ≈

NEW YORK



2336VCP26 ^{MTD}
Beverage
26 cl. 9 oz | w 285 gr ≈
h 119 mm | ø 78 mm ≈



2336VCP20 ^{MTD}
Beverage
20,5 cl. 7 oz | w 255 gr ≈
h 104 mm | ø 74 mm ≈

THE GATS



2970VCP35
High ball
35,5 cl. 12 oz | w 375 gr ≈
h 148 mm | ø 68 mm ≈

NEW



2970VCP36
DOF
35,5 cl. 12 oz | w 265 gr ≈
h 89 mm | ø 86,6 mm ≈

NEW



2970VCP29
Rocks
29 cl. 9,8 oz | w 212 gr ≈
h 85 mm | ø 80 mm ≈

NEW

STARLA



2939VCP37
High Ball
37 cl. 12 oz | w 385 gr ≈
h 142,5 mm | ø 73 mm ≈

NEW



2939VCP27
Beverage
27 cl. 9,1 oz | w 279 gr ≈
h 128 mm | ø 67 mm ≈



2939VCP35
DOF
35 cl. 11,75 oz | w 330 gr ≈
h 104,9 mm | ø 82,5 mm ≈

NEW



2939VCP23
Rocks
23 cl. 7,8 oz | w 209 gr ≈
h 82,5 mm | ø 74 mm ≈



CHEERS



2060VCP37 ^{MTD}
High ball
37 cl. 12,51 oz | w 285 gr ≈
h 154 mm | ø 75 mm ≈



2060VCP33
High ball
35 cl. 11,75 oz | w 360 gr ≈
h 154 mm | ø 75 mm ≈

NEW



2060VCP39 ^{MTD}
DOF
39 cl. 13,19 oz | w 300 gr ≈
h 96 mm | ø 91 mm ≈



2060VCP34
DOF
35 cl. 11,75 oz | w 391 gr ≈
h 96 mm | ø 91 mm ≈

NEW

OLYMPÉA



2825VCP37 **MTD**
High Ball
37 cl . 12,5 oz | w 382 gr ≈
h 141 mm | ø 81,7 mm ≈



2825VCP35 **MTD**
DOF
35 cl . 11,8 oz | w 400 gr ≈
h 100,5 mm | ø 91,8 mm ≈

MIXING GLASS



2474VCP26 **MTD**
Beverage
27 cl . 9,1 oz | w 270 gr ≈
h 114 mm | ø 78 mm ≈

ASTRO



2997VCP47 **NEW**
High Ball
47 cl . 16 oz | w 392 gr ≈
h 154,5 mm | ø 83,7 mm ≈



2997VCP35 **NEW**
DOF
35 cl . 11,75 oz | w 330 gr ≈
h 138 mm | ø 77,7 mm ≈



2997VCP25 **NEW**
Rocks
25 cl . 8,5 oz | w 244 gr ≈
h 102,6 mm | ø 75,4 mm ≈

OLYMPÉA SMOOTH



2830VCP37
High Ball
37 cl . 12,5 oz | w 382 gr ≈
h 141 mm | ø 81,7 mm ≈



2830VCP35
DOF
35 cl . 11,8 oz | w 402 gr ≈
h 100,5 mm | ø 91,8 mm ≈

OLYMPÉA CRAFT



2832VCP34
High Ball
34 cl . 11,5 oz | w 382 gr ≈
h 141 mm | ø 81,7 mm ≈



2832VCP33
DOF
33 cl . 11,2 oz | w 400 gr ≈
h 100,5 mm | ø 91,8 mm ≈

SOUK



2992VCP41 **NEW**
High Ball
41 cl . 14 oz | w 440 gr ≈
h 129,8 mm | ø 88,9 mm ≈



2992VCP35 **NEW**
DOF
35 cl . 11,75 oz | w 315 gr ≈
h 99,5 mm | ø 90,6 mm ≈

GALÃO



2004VCP22
Beverage
22 cl . 7,43 oz | w 215 gr ≈
h 106 mm | ø 73 mm ≈



2004VCP10
Shot
10 cl . 3,38 oz | w 106 gr ≈
h 84 mm | ø 55,5 mm ≈

OLYMPÉA RETRO



2831VCP37 **MTD**
High Ball
37 cl . 12,5 oz | w 383 gr ≈
h 141 mm | ø 81,7 mm ≈



2831VCP35 **MTD**
DOF
35 cl . 11,8 oz | w 395 gr ≈
h 100,5 mm | ø 91,8 mm ≈

OLYMPÉA XTREME



2829VCP32 **MTD**
High Ball
32 cl . 10,8 oz | w 503 gr ≈
h 141 mm | ø 81,7 mm ≈



2829VCP33 **MTD**
DOF
33 cl . 11,2 oz | w 453 gr ≈
h 100,5 mm | ø 91,8 mm ≈

COUNTRY



2276VCP35
DOF
35 cl . 11,83 oz | w 300 gr ≈
h 100 mm | ø 91 mm ≈



2276VCP22
OF
22 cl . 7,43 oz | w 300 gr ≈
h 87 mm | ø 79 mm ≈



PAGE 12

PAGE 52 PAGE 56

MTD ALSO AVAILABLE
IN COLOURED GLASS



TULIPA



2002VCP18 **MTD**
Beverage
18 cl . 6 oz | w 200 gr ≈
h 85,5 mm | ø 72 mm ≈



2002VCP14
Beverage
14 cl . 4,73 oz | w 149 gr ≈
h 78 mm | ø 68,3 mm ≈

PISA



2421VCP25 MTD
High ball
25 cl . 8,45 oz | w 290 gr ≈
h 139,5 mm | ø 63,2 mm ≈



2087VCP30 MTD
DOF
30 cl . 10,14 oz | w 340 gr ≈
h 96 mm | ø 79 mm ≈

< OTHER CAPACITIES AVAILABLE

> OTHER CAPACITIES AVAILABLE

BERMUDA



2458VCP25 MTD
Beverage
24 cl . 8,1 oz | w 420 gr ≈
h 120 mm | ø 70 mm ≈



2458VCP30 MTD
DOF
30 cl . 10,14 oz | w 420 gr ≈
h 90 mm | ø 90 mm ≈



IN2ONE



2759VCP40 MTD
High ball
40 cl . 13,5 oz | w 418 gr ≈
h 145,5 mm | ø 82 mm ≈



2759VCP29
Beverage
29 cl . 9,81 oz | w 285 gr ≈
h 130,5 mm | ø 73 mm ≈



2759VCP33
DOF
33 cl . 11,2 oz | w 360 gr ≈
h 86,5 mm | ø 91,5 mm ≈



PAGE 13 PAGE 56 PAGE 56

stackable glasses



RAYO



2998VCP36 NEW
High Ball
36 cl . 12 oz | w 395 gr ≈
h 129 mm | ø 83,5 mm ≈



2998VCP32 NEW
DOF
32 cl . 10,75 oz | w 313 gr ≈
h 105 mm | ø 84 mm ≈



2998VCP26 NEW
Rocks
27 cl . 9 oz | w 265 gr ≈
h 84 mm | ø 85,5 mm ≈

stackable glasses



PYRAMID



2581VCP29 MTD
Beverage
29 cl . 9,8 oz | w 278 gr ≈
h 101,5 mm | ø 90 mm ≈



2581VCP24 MTD
Beverage
24 cl . 8,45 oz | w 235 gr ≈
h 88,5 mm | ø 89 mm ≈



2581VCP17 MTD
Beverage
17 cl . 5,74 oz | w 170 gr ≈
h 76,5 mm | ø 79,5 mm ≈



2581VCP11 MTD
Espresso
11 cl . 3,66 oz | w 150 gr ≈
h 80,5 mm | ø 68 mm ≈

stackable glasses



UP-ON



21005VCP45 NEW
High Ball
45 cl . 15,25 oz | w 450 gr ≈
h 151 mm | ø 84,5 mm ≈



21005VCP32 NEW
Beverage
32 cl . 10,75 oz | w 340 gr ≈
h 135 mm | ø 77 mm ≈



21005VCP35 NEW
DOF
35 cl . 11,75 oz | w 345 gr ≈
h 100,9 mm | ø 90 mm ≈



21005VCP21 NEW
Rocks
21 cl . 7,5 oz | w 229 gr ≈
h 87 mm | ø 77 mm ≈

stackable glasses



DIPLOMATA



2018VCP45
High ball
45 cl . 15,22 oz | w 470 gr ≈
h 151 mm | ø 84,5 mm ≈



NEW

2018VCP34
Beverage
34 cl . 11,50 oz | w 305 gr ≈
h 135 mm | ø 77 mm ≈



2018VCP35
DOF
35 cl . 11,83 oz | w 345 gr ≈
h 100,9 mm | ø 90 mm ≈



2018VCP22
Beverage
22 cl . 7,43 oz | w 250 gr ≈
h 87 mm | ø 77 mm ≈

MTD ALSO AVAILABLE
IN COLOURED GLASS

ÁRTICO



2045VCP34 MTD
High ball
34 cl . 11,5 oz | w 380 gr ≈
h 150 mm | ø 70,6 mm ≈



2045VCP23
Beverage
23 cl . 7,77 oz | w 300 gr ≈
h 149 mm | ø 60 mm ≈



2045VCP21
Beverage
21 cl . 7,1 oz | w 235 gr ≈
h 110 mm | ø 64 mm ≈



2045VCP30
DOF
30 cl . 10,14 oz | w 350 gr ≈
h 96 mm | ø 80 mm ≈



2045VCP04
Shot glass
04 cl . 1,35 oz | w 80 gr ≈
h 82 mm | ø 37 mm ≈

DUCHESSE



2290VCP34 MTD
High ball
34 cl . 11,5 oz | w 380 gr ≈
h 150 mm | ø 70,6 mm ≈



2290VCP23 MTD
Beverage
23 cl . 7,77 oz | w 300 gr ≈
h 149 mm | ø 60 mm ≈



2290VCP21 MTD
Beverage
21 cl . 7,11 oz | w 255 gr ≈
h 110 mm | ø 64 mm ≈



2290VCP30 MTD
DOF
30 cl . 10,1 oz | w 350 gr ≈
h 96 mm | ø 80 mm ≈

LIBBEY®
+DuraTuff®

Because you can't
compromise on strength.



Libbey's DuraTuff® treatment is a super strengthening thermal after-process for "pressed" tumblers.

The DuraTuff® process is only performed on the upper third of the glass, which increases its resistance to thermal and mechanical shock.

By treating this upper portion at a lower temperature than tempering, you put less stress on the glass. This has a positive effect on how the glass breaks and also improves its overall durability.

The glassware ranges with DuraTuff® include: Gibraltar, Winchester, Paneled, LinQ, Everest and Endeavor.

* After process additions, like decorating the glasses may affect the DuraTuff® treatment, impacting the properties or losing completely its specifications. Libbey accepts no liability for this.

GIBRALTAR



2823VCP47
Cooler
47,3 d . 16 oz | w 539 gr ≈
h 162 mm | ø 87 mm ≈



2823VCP35
Cooler
35,5 d . 12 oz | w 384 gr ≈
h 149 mm | ø 79 mm ≈



2823VCP31
Beverage
31,1 d . 10,5 oz | w 355 gr ≈
h 140 mm | ø 75 mm ≈



2823VCP41
Beverage
41,4 d . 14 oz | w 440 gr ≈
h 130 mm | ø 89 mm ≈



2823VCP36
Beverage
35,5 d . 12 oz | w 430 gr ≈
h 124 mm | ø 83 mm ≈



2823VCP29
Beverage
29,6 d . 10 oz | w 365 gr ≈
h 121 mm | ø 79 mm ≈



2823VCP25
Hi-Ball
26,6 d . 9 oz | w 420 gr ≈
h 118 mm | ø 79 mm ≈



2823VCP21
Hi-Ball
20,7 d . 7 oz | w 245 gr ≈
h 115 mm | ø 67 mm ≈



2823VCP34
Double Rocks
35,5 d . 12 oz | w 315 gr ≈
h 100 mm | ø 91 mm ≈



2823VCP30
Rocks
29 d . 10 oz | w 325 gr ≈
h 80 mm | ø 89 mm ≈



2823VCP27
Tall Rocks
26,6 d . 9 oz | w 360 gr ≈
h 96 mm | ø 88 mm ≈



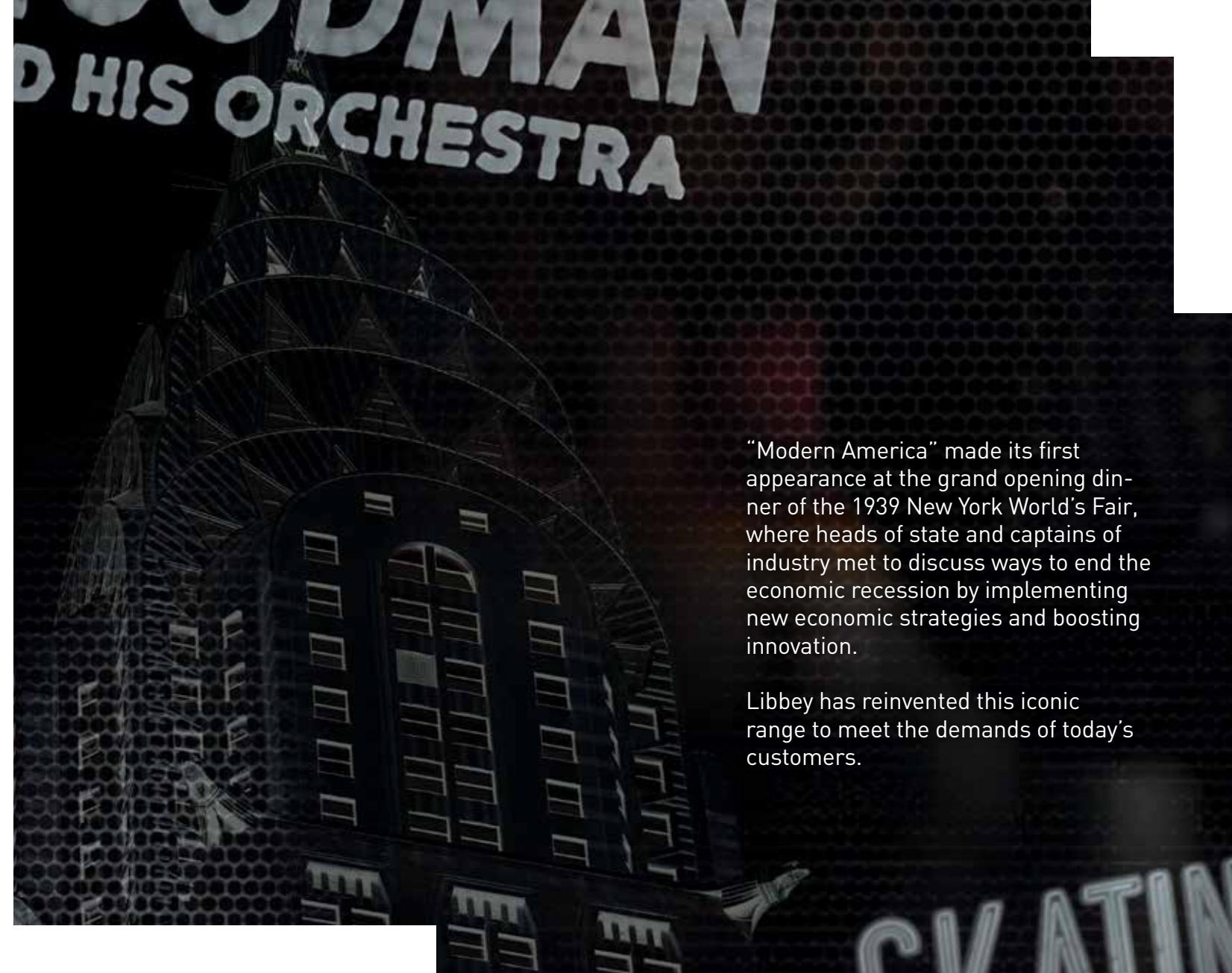
2823VCP26
Rocks
26,6 d . 9 oz | w 286 gr ≈
h 92 mm | ø 86 mm ≈



2823VCP23
Rocks
23,7 d . 8 oz | w 360 gr ≈
h 90 mm | ø 86 mm ≈



2823VCP20
Rocks
20,7 d . 7 oz | w 210 gr ≈
h 83 mm | ø 79 mm ≈



“Modern America” made its first appearance at the grand opening dinner of the 1939 New York World’s Fair, where heads of state and captains of industry met to discuss ways to end the economic recession by implementing new economic strategies and boosting innovation.

Libbey has reinvented this iconic range to meet the demands of today’s customers.

MODERN AMERICA



NEW

2992VCP26
Cooler
26,5 d . 9 oz | w 305 gr ≈
h 133 mm | ø 71 mm ≈



NEW

2992VCP35
High Ball
35,5 d . 12 oz | w 355 gr ≈
h 129 mm | ø 82 mm ≈



NEW

2992VCP34
DOF
34,4 d . 11,75 oz | w 324 gr ≈
h 99,5 mm | ø 90 mm ≈



NEW

2992VCP28
Rocks
28 d . 9,5 oz | w 295 gr ≈
h 91,5 mm | ø 86 mm ≈

WINCHESTER



2901VCP35
Beverage
35,5 cl . 16 oz | w 306 gr ≈
h 136 mm | ø 77 mm ≈



2901VCP34
DOF
35 cl . 11,83 oz | w 320 gr ≈
h 96 mm | ø 88,8 mm ≈



2901VCP29
Rocks
29,6 cl . 10 oz | w 249 gr ≈
h 90 mm | ø 83 mm ≈

PANELED



2903VCP47
Cooler
47,3 cl . 16 oz | w 392 gr ≈
h 153 mm | ø 84 mm ≈



2903VCP35
Beverage
35,5 cl . 16 oz | w 330 gr ≈
h 137 mm | ø 79 mm ≈



2903VCP25
Juice
25,1 cl . 8,5 oz | w 244 gr ≈
h 103 mm | ø 75 mm ≈

TARQ



21002VCP36
Beverage
34,5 cl . 11,75 oz | w 365 gr ≈
h 127 mm | ø 79,7 mm ≈

NEW



21002VCP35
DOF
35 cl . 11,75 oz | w 300 gr ≈
h 88,4 mm | ø 97,7 mm ≈

NEW



21002VCP26
Rocks
26 cl . 8,75 oz | w 250 gr ≈
h 86,9 mm | ø 81,7 mm ≈

NEW

Stacks for Life

Stacking is bad for glassware. Glass-on-glass contact is likely to cause damage and increases the probability of breakage, due to mechanical or thermal shock. However, is often inevitable for a better usage of space for storage, for washing/drying, organizing stocks or even transportation.

Whilst stacking is still not ideal, Libbey has developed ranges of glassware, designed to reduce the problems involved with stacking, minimizing its negative effects. Clever designs to ensure straight stacking with reinforced contact areas and toughened edges.

For stackable glasses, which need to be able to deal with the rigors of daily life in all sorts of demanding settings, you simply can't afford to compromise on strength. So it's good to know that, thanks to their DuraTuff® treatment, our glasses will be up to the job.

LINO



2854VCP41/0000C1
Beverage
41,4 cl . 14 oz | w 382 gr ≈
h 133 mm | ø 84 mm ≈



2854VCP36/0000C1
Beverage
35,5 cl . 12 oz | w 333 gr ≈
h 127 mm | ø 80 mm ≈



2854VCP29/0000C1
Beverage
29,6 cl . 10 oz | w 315 gr ≈
h 117 mm | ø 77 mm ≈



2854VCP35/0000C1
DOF
35,5 cl . 12 oz | w 277 gr ≈
h 98 mm | ø 88 mm ≈



2854VCP26/0000C1
Rocks
26,6 cl . 9 oz | w 229 gr ≈
h 87 mm | ø 82 mm ≈

EVEREST



2860VCP35
Beverage
35,5 cl . 12 oz | w 401 gr ≈
h 159 mm | ø 74 mm ≈



2860VCP29
Beverage
29,6 cl . 10 oz | w 354 gr ≈
h 153 mm | ø 70 mm ≈



2860VCP41
Cooler
41,4 cl . 14 oz | w 320 gr ≈
h 121,2 mm | ø 86 mm ≈



2860VCP33
Beverage
35,5 cl . 12 oz | w 315 gr ≈
h 117 mm | ø 79 mm ≈



2860VCP27
Hi-Ball
26,6 cl . 9 oz | w 295 gr ≈
h 114 mm | ø 76 mm ≈



2860VCP36
Rocks
35,5 cl . 12 oz | w 345 gr ≈
h 95 mm | ø 92 mm ≈



2860VCP26
Rocks
26,6 cl . 9 oz | w 237 gr ≈
h 85 mm | ø 84 mm ≈



2860VCP23
Rocks
23,7 cl . 8 oz | w 215 gr ≈
h 79 mm | ø 79 mm ≈



2860VCP20
Rocks
20,7 cl . 7 oz | w 205 gr ≈
h 79 mm | ø 76 mm ≈



2860VCP14
Juice
14,8 cl . 5 oz | w 215 gr ≈
h 73 mm | ø 73 mm ≈

ENDEAVOR



2822VCP47
Cooler
47,3 cl . 16 oz | w 463 gr ≈
h 179 mm | ø 81 mm ≈



2822VCP41
Beverage
41,4 cl . 14 oz | w 482 gr ≈
h 168 mm | ø 79 mm ≈



2822VCP36
Beverage
35,5 cl . 12 oz | w 407 gr ≈
h 160 mm | ø 75 mm ≈



2822VCP29
Hi-Ball
29,6 cl . 10 oz | w 386 gr ≈
h 159 mm | ø 70 mm ≈



2822VCP35
DOF
35,5 cl . 12 oz | w 374 gr ≈
h 105 mm | ø 98 mm ≈



2822VCP26
Hi-Ball
26,6 cl . 9 oz | w 306 gr ≈
h 98 mm | ø 89 mm ≈

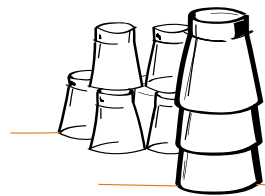


2822VCP20
Rocks
20,7 cl . 7 oz | w 255 gr ≈
h 92 mm | ø 83mm ≈



2822VCP11
Hi-Ball
11 cl . 3,7 oz | w 175 gr ≈
h 76 mm | ø 69 mm ≈

GLASS HANDLING TIPS



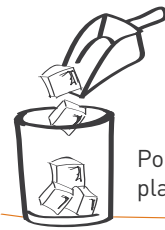
Only stack glasses which are designed for this.



Pre-heat glasses that will hold hot drink.



Remove ice from glass immediately and allow it to reach room temperature before washing it.



Pour ice with plastic scoop.



Never carry glasses in bouquets.



Never put cutlery or other objects in glasses.

Never let a glass touch the tap, dispenser or bottle when pouring.



ATLANTA II



3616VCP57
Beer
57 cl . 19,27 oz | w 335 gr ≈
h 158,5 mm ø 81 mm ≈



3616VCP46
Beer
46 cl . 15,55 oz | w 280 gr ≈
h 147 mm | ø 80 mm ≈



3616VCP34
Beer
34 cl . 11,5 oz | w 198 gr ≈
h 132 mm | ø 73 mm ≈



3616VCP29
Beer
29 cl . 9,81 oz | w 178 gr ≈
h 126 mm | ø 70 mm ≈

TUBO



3339VCP34 MTD
Beer
34 cl . 11,5 oz | w 240 gr ≈
h 180 mm | ø 60 mm ≈



3075VCP32 MTD
Beer
32 cl . 10,8 oz | w 210 gr ≈
h 166 mm | ø 59 mm ≈



3269VCP30 MTD
Beer
30 cl . 10,14 oz | w 145 gr ≈
h 180 mm | ø 52 mm ≈

AMÓN



3304VCP22 MTD
Beer
22 cl . 7,43 oz | w 170 gr ≈
h 112 mm | ø 69 mm ≈

PROFILE



3663VCP57
Beer
57 cl . 19,27 oz | w 386 gr ≈
h 190 mm | ø 84 mm ≈



3663VCP40
Beer
40 cl . 13,53 oz | w 270 gr ≈
h 169,5 mm | ø 75 mm ≈

BAR



3898VCP62
Beer
62,5 cl . 21,1 oz | w 330 gr ≈
h 159 mm | ø 89,4 mm ≈



3898VCP57
Beer
57 cl . 19,3 oz | w 310 gr ≈
h 149 mm | ø 88 mm ≈

IBIZA



3269VCP26 MTD
Beer
26 cl . 8,79 oz | w 150 gr ≈
h 150 mm | ø 55 mm ≈



3075VCP25 MTD
Beer
25 cl . 8,45 oz | w 165 gr ≈
h 136 mm | ø 57 mm ≈



3269VCP16 MTD
Beer
16 cl . 5,41 oz | w 130 gr ≈
h 110 mm | ø 51 mm ≈



3393VCP30 MTD
Beer
30 cl . 11,4 oz | w 239 gr ≈
h 156 mm | ø 69 mm ≈

BARRILITO



3166VCP24
Beer
24 cl . 8,11 oz | w 145 gr ≈
h 120 mm | ø 60 mm ≈



3166VCP20
Beer
20 cl . 6,76 oz | w 142 gr ≈
h 100,5 mm | ø 60 mm ≈

CZAR



3142VCP34 MTD
Beer
34 cl . 11,5 oz | w 300 gr ≈
h 173 mm | ø 80 mm ≈

PRÍNCIPE



3163VCP25
Beer
25 cl . 8,45 oz | w 260 gr ≈
h 172 mm | ø 63 mm ≈



3163VCP30
Beer
30 cl . 10,14 oz | w 280 gr ≈
h 194 mm | ø 66,8 mm ≈



3163VCP37
Beer
37 cl . 12,5 oz | w 335 gr ≈
h 204 mm | ø 70 mm ≈



3163VCP48 MTD
Beer
48 cl . 16,16 oz | w 420 gr ≈
h 219 mm | ø 77 mm ≈



3163VCP84 MTD
Beer
84 cl . 28,4 oz | w 596 gr ≈
h 250 mm | ø 92 mm ≈

CRAFT



3923VCP47
Beer
47 cl . 16 oz | w 355 gr ≈
h 193,6 mm | ø 77,8 mm ≈

GIANT



3924VCP68
Beer
68 cl . 23 oz | w 542 gr ≈
h 223,8 mm | ø 92,1 mm ≈

SILHUETA



3179VCP30 MTD
Beer
30 cl . 11,4 oz | w 228 gr ≈
h 147 mm | ø 65 mm ≈

MUGS

PORTFOLIO

Libbey Portugal is particularly strong in producing beer items. Besides a big collection of beer stemware and tumblers, the mug portfolio includes a wide range of beer mugs with diverse shapes, sizes and capacities.

Breakfast mugs is another segment in which Libbey Portugal has a big glassware offer. Perfect to serve from a simple coffee, milk or tea to more exquisite hot drinks, like cappuccino, latte macchiato or irish coffee.



GRANADA



2384VCN56
Beer
56 cl . 18,86 oz | w 755 gr ≈
h 177,5 mm | ø 128,2 mm ≈



2384VCN29 MTD
Beer
29 cl . 9,8 oz | w 560 gr ≈
h 150 mm | ø 106,7 mm ≈

SOL



2553VCN49 MTD
Beer
49 cl . 16,56 oz | w 830 gr ≈
h 209 mm | ø 77 mm ≈
*gauge line on mold



SINTRA



2187VCN55
Beer
55 cl . 18,59 oz | w 550 gr ≈
h 124 mm | ø 134,5 mm ≈



2187VCN29
Beer
29 cl . 9,8 oz | w 360 gr ≈
h 96 mm | ø 115 mm ≈

MILENE



2401VCN50 MTD
Beer
50 cl . 16,84 oz | w 770 gr ≈
h 182 mm | ø 123 mm ≈

PROST



21003VCN64 NEW
Beer
64 cl . 21,75 oz | w 813 gr ≈
h 159 mm | ø 134,5 mm ≈



21003VCN49 NEW
Beer
49 cl . 16,5 oz | w 641 gr ≈
h 147 mm | ø 123,1 mm ≈



21003VCN32 NEW
Beer
32 cl . 10,75 oz | w 448 gr ≈
h 124 mm | ø 106,9 mm ≈

THALIA



2354VCN64 MTD
Beer
64 cl . 21,6 oz | w 800 gr ≈
h 160 mm | ø 134 mm ≈
*gauge line on mold/ plunger



2354VCN49 MTD
Beer
49 cl . 16,56 oz | w 685 gr ≈
h 147 mm | ø 123,5 mm ≈
*gauge line on mold/ plunger



2354VCN32 MTD
Beer
32 cl . 10,82 oz | w 480 gr ≈
h 124 mm | ø 107 mm ≈
*gauge line on mold/ plunger

CORAL



2353VCN59 MTD
Beer
62 cl . 22,10 oz | w 951 gr ≈
h 185 mm | ø 85 mm ≈
*gauge line on mold/ plunger

MAXIM



2130VCN62
Beer
68 cl . 22,99 oz | w 887 gr ≈
h 153 mm | ø 131,5 mm ≈



2329VCN50
Beer
52 cl . 15,5 oz | w 834 gr ≈
h 157 mm | ø 123,3 mm ≈



2130VCN32
Beer
32 cl . 10,6 oz | w 475 gr ≈
h 121,5 mm | ø 107,25 mm ≈



2130VCN28
Beer
28 cl . 9,46 oz | w 498 gr ≈
h 121,5 mm | ø 107,3 mm ≈



BILL



2264VCN24
Coffee / Tea
24 cl . 8,11 oz | w 370 gr ≈
h 146,5 mm | ø 104,3 mm ≈

MINI BILL



2264VCN12
Irish Coffee
12 cl . 4,05 oz | w 190 gr ≈
h 110 mm | ø 82,5 mm ≈

COUNTRY



M
PAGE 12
PAGE 56
PAGE 35



2291VCN24
Coffee / Tea
24 cl . 8,11 oz | w 370 gr ≈
h 146,5 mm | ø 104,3 mm ≈

SEVILHA



2114VCN25 **MTD**
Milk / Tea
25 cl . 8,45 oz | w 250 gr ≈
h 86,5 mm | ø 103,5 mm ≈

MTD ALSO AVAILABLE
IN COLOURED GLASS

ACAPULCO



2302VCN28
Coffee / Tea
28 cl . 9,46 oz | w 395 gr ≈
h 150 mm | ø 100,5 mm ≈



2609VCN18
Cappuccino
18 cl . 6 oz | w 200 gr ≈
h 80,5 mm | ø 91 mm ≈



2783VCH08
Espresso
08 cl . 2,03 oz | w 130 gr ≈
h 65 mm | ø 58,5 mm ≈

COMPLEMENTS & OTHERS

PORTFOLIO

Besides stemware, tumblers and mugs, Libbey Portugal portfolio contains a variety of glassware complements, including ice cream and dessert cups, salad bowls, shot glasses, aperitive dishes and ashtrays.

Most of the pieces are pressed items, with an extra breakage resistance which makes them perfect for the hospitality universe.



COSMOS



2672VTC22 MTD
Salad bowl
-.- | w 1070 gr ≈
h 90 mm | ø 225 mm ≈



2672VTC12 MTD
Dessert bowl
-.- | w 200 gr ≈
h 49 mm | ø 120 mm ≈

ALSO AVAILABLE
IN COLOURED GLASS



LUNA



2085VTC22 MTD
Salad bowl
-.- | w 680 gr ≈
h 80 mm | ø 220 mm ≈



2085VTC12 MTD
Salad bowl
-.- | w 215 gr ≈
h 50 mm | ø 120 mm ≈

INZONE



2785VTC22 MTD
Salad bowl
-.- | w 1080 gr ≈
h 90 mm | ø 225 mm ≈



2785VTC12 MTD
Dessert bowl
-.- | w 205 gr ≈
h 49 mm | ø 120 mm ≈



2787VTC24 MTD
Ice cream cup
24 cl . 8,1 oz | w 360 gr ≈
h 146 mm | ø 129,5 mm ≈

M



PAGE 36



PAGE 13

CAPRI



2721VTC24
Ice cream cup
24 cl . 8,1 oz | w 360 gr ≈
h 146 mm | ø 129,5 mm ≈

PLANTARUM



2542VTC21 MTD
Salad bowl
-.- | w 995 gr ≈
h 80 mm | ø 210 mm ≈



PAGE 65

COUNTRY



2262VTC38
Ice cream cup
38 cl . 12,84 oz | w 300 gr ≈
h 118 mm | ø 115 mm ≈



PAGE 12

PAGE 52

PAGE 35

ALSO AVAILABLE
IN COLOURED GLASS



PRIMAVERA



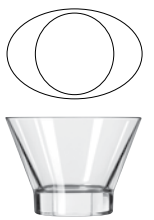
2233VTC28
Ice cream cup
28 cl . 9,46 oz | w 260 gr ≈
h 86 mm | ø 108,5 mm ≈

FUNCHAL



2038VTC16
Ice cream cup
16 cl . 5,33 oz | w 190 gr ≈
h 81 mm | ø 93 mm ≈

OVAL



2580VTC11
Dessert bowl
25 cl . 8,45 oz | w 317 gr ≈
h 80,8 mm | ø 113 mm ≈



SHORT COCKTAIL



2836VCP15 MTD
Cocktail
15 cl . 5,07 oz | w 360 gr ≈
h 94 mm | ø 73 mm ≈

SHORTY



2779VCL13 MTD
Martini
14 cl . 4,73 oz | w 260 gr ≈
h 106 mm | ø 99 mm ≈



2779VCL14 MTD
Margarita
14 cl . 4,73 oz | w 225 gr ≈
h 102 mm | ø 87,5 mm ≈



2779VCP15 MTD
Rocks
15 cl . 5,07 oz | w 360 gr ≈
h 94 mm | ø 73 mm ≈

CAMEL



2099VCZ14 MTD
Ashtray
- . - | w 520 gr ≈
h 39 mm | ø 145 mm ≈

MTD ALSO AVAILABLE
IN COLOURED GLASS
● ● ●

FLASHBACK



2934VJR75
Mixing Glass
75 cl . 25,36 oz | w 675 gr ≈
h 192,5 mm | ø 92 mm ≈



CARATS



2711VJR75
Mixing Glass
75 cl . 25,36 oz | w 635 gr ≈
h 148,5 mm | ø 95 mm ≈



BERNA



2099VCZ10
Ashtray
- . - | w 295 gr ≈
h 37 mm | ø 107 mm ≈

MTD ALSO AVAILABLE
IN COLOURED GLASS
● ● ●

ENSEMBLE



3757VDCA8
Decanter
108 cl . 36,52 oz | w 535 gr ≈
h 250,5 mm | ø 100 mm ≈



3757VDC74
Decanter
74 cl . 25,02 oz | w 382 gr ≈
h 240 mm | ø 89 mm ≈



3757VDC33
Decanter
33 cl . 11,2 oz | w 212 gr ≈
h 168 mm | ø 70 mm ≈

ENSEMBLE BLACK STRIPE



3757VDCA8/STR1D1
Decanter
108 cl . 36,52 oz | w 535 gr ≈
h 250,5 mm | ø 100 mm ≈



SLIM & COOL



3981VGRA0
Carafe
108 cl . 36,52 oz | w 580 gr ≈
h 250 mm | ø 88 mm ≈



BALICE



31041VDC93
Decanter
93,5 cl . 31,5 oz | w 605 gr ≈
h 250 mm | ø 100,1 mm ≈



NEW



CHICAGO



3710VCP07

Shot glass

7 cl . 2,37 oz | w 100 gr ≈
h 105 mm | ø 40 mm ≈

TEQUILHA



2388VCP06

Shot glass

06 cl . 2,02 oz | w 105 gr ≈
h 105 mm | ø 39 mm ≈

ÁRTICO



2045VCP04

Shot glass

04 cl . 1,35 oz | w 80 gr ≈
h 82 mm | ø 37 mm ≈

TEQUILA SHOOTER



2900VCP02

Shot glass

2,6 cl . 0,88 oz | w 90 gr ≈
h 76,5 mm | ø 36,5 mm ≈

ENDESSA



3482VCP07 ^{MTD}

Shot glass

7 cl . 2,36 oz | w 125 gr ≈
h 74 mm | ø 49 mm ≈

ATOM



3820VCP07 ^{MTD}

Shot glass

07 cl . 2,36 oz | w 125 gr ≈
h 74 mm | ø 49 mm ≈

RESTAURANT BASICS



2613VCP05

Shot glass

05 cl . 1,69 oz | w 95 gr ≈
h 88,5 mm | ø 44 mm ≈

ORKNEY



2445VCP07 ^{MTD}

Shot glass

07 cl . 2,36 oz | w 160 gr ≈
h 101 mm | ø 47 mm ≈

VALÊNCIA



2333VCP05

Shot glass

05 cl . 1,69 oz | w 71 gr ≈
h 47 mm | ø 48 mm ≈

FLUTED WHISKEY



2875VCP05

Shot glass

5,9 cl . 2 oz | w 205 gr ≈
h 75,9 mm | ø 55,4 mm ≈



2876VCP04

Shot glass

4,4 cl . 1,5 oz | w 252 gr ≈
h 75,9 mm | ø 55,4 mm ≈



2874VCP03

Shot glass

3 cl . 1 oz | w 277 gr ≈
h 75,9 mm | ø 55,4 mm ≈

TALL WHISKEY



2873VCP02

Shot glass

2 cl . 0,75 oz | w 145 gr ≈
h 74,6 mm | ø 44,2 mm ≈

IATES



2296VCN04

Shot glass

04 cl . 1,35 oz | w 72 gr ≈
h 64,5 mm | ø 45 mm ≈

APOLO



2048VBL05

Shot glass

05 cl . 1,69 oz | w 95 gr ≈
h 70 mm | ø 52 mm ≈

ANDALUZIA



2153VCL04 ^{MTD}

Shot glass

04 cl . 1,35 oz | w 87 gr ≈
h 85,5 mm | ø 50 mm ≈

HOBSTAR



2651VCP06

Shot glass

06 cl . 2,03 oz | w 80 gr ≈
h 60 mm | ø 50 mm ≈



PAGE 13

PAGE 31

WHISKEY SHOT



2872VCP03

Shot glass

3 cl . 1 oz | w 131 gr ≈
h 59 mm | ø 50 mm ≈



2871VCP02

Shot glass

2,6 cl . 0,88 oz | w 135 gr ≈
h 59 mm | ø 50 mm ≈

FLOWER & CANDLE

PORTFOLIO

Libbey Portugal portfolio for the flower and candle market includes vases, candle holders and hurricanes, available in different shapes and sizes.

Several shapes of tumblers are also suitable for the candle market, mainly for candle filling, but also as tea-light candle holders.



SVENSKA



2132VPV00 **MTD**
Candle holder
- . - | w 155 gr ≈
h 30 mm | ø 68 mm ≈

BREMEN



2381VPV00
Candle holder
- . - | w 285 gr ≈
h 34 mm | ø 90 mm ≈

NORGE



2394VPV00 **MTD**
Candle holder
- . - | w 192 gr ≈
h 58 mm | ø 101 mm ≈

STATUS



3959VJR59 **NEW**
Tall Jar
- . - | w 460 gr ≈
h 157,2 mm | ø 86,6 mm ≈



3959VJR36 **NEW**
Small Jar
- . - | w 400 gr ≈
h 105,2 mm | ø 86,6 mm ≈

BULB



3878VJR85 **MTD**
Big Vase
- . - | w 455 gr ≈
h 187,5 mm | ø 100 mm ≈



3865VJR62 **MTD**
Small vase
- . - | w 247 gr ≈
h 142 mm | ø 96,6 mm ≈

ADÁGIO



3300VPV00
Hurricane
- . - | w 318 gr ≈
h 128 mm | ø 89 mm ≈

SONATA



3298VPV00 **MTD**
Hurricane
- . - | w 293 gr ≈
h 151 mm | ø 91 mm ≈

TOBAGO



2461VJA18 **MTD**
Vase
- . - | w 885 gr ≈
h 180 mm | ø 123 mm ≈



2461VJA13 **MTD**
Vase
- . - | w 875 gr ≈
h 130 mm | ø 140 mm ≈



2461VJA11 **MTD**
Vase
- . - | w 640 gr ≈
h 111,5 mm | ø 126 mm ≈



ESSEN



2382VPV00 **MTD**
Candle holder
- . - | w 270 gr ≈
h 34 mm | ø 91 mm ≈

MERCURY



2396VPV00 **MTD**
Candle holder
- . - | w 174 gr ≈
h 52 mm | ø 85 mm ≈

ESTRELA



2127VPV00 **MTD**
Candle holder
- . - | w 115 gr ≈
h 26 mm | ø 84 mm ≈

PLANTARUM



2499VJA16 **MTD**
Vase
- . - | w 1125 gr ≈
h 165 mm | ø 145 mm ≈



2499VJA11 **MTD**
Vase
- . - | w 840 gr ≈
h 115 mm | ø 145 mm ≈



PAGE 56

BLOOM



2541VVA13 **MTD**
Vase
- . - | w 1050 gr ≈
h 180 mm | ø 139,5 mm ≈



2541VVA15 **MTD**
Vase
- . - | w 827 gr ≈
h 125 mm | ø 151 mm ≈

CUSTOMIZED SOLUTIONS

GLASS DESIGN

Each customer is unique. Its needs are different and constantly changing.

Libbey Portugal is particularly strong in providing custom-made solutions, to help customers achieving their goals. Our expertise it's the perfect tool to help you develop your business, by promoting your brand or identity and increasing your sales/results.

Whether by creating an exclusive shape, a promotional personalized item or an original packaging, our options are endless.

Possibility to create new and exclusive shapes, according to the customer's needs. This is the best way to stand out in the market and differentiate from competition.





EXC

Fixed-blown embossing

1. WALL EMBOSSING

Embossing is the easiest and strongest way to personalize a product or create an exclusive shape. Available in fixed-blown and pressed techniques, it's possible to use it in a wide range of products, from tumblers to stemware, mugs or bowls.



EXC

Pressed embossing

2. STEM EMBOSSING

It's also possible to emboss a small detail, like a logo or a symbol, on a stem. An original and unique way to personalize a piece.



3. BOTTOM / FOOTPLATE EMBOSSING

Just by changing the bottom of a tumbler/mug or a footplate to a stemware, it's possible to obtain an exclusive shape with a low investment. Available in pressed and fixed-blown techniques (big elements) provides the possibility of creating collectible items.



Footplate embossing



EXC

Bottom embossing

This is an exclusive item that cannot be used or reproduced for other customers. The picture is being used only as an example of this capability. EXC

4. STACKABILITY

This feature is a plus for some customers and/or markets, permitting to save room in storage. Available only in pressed technique.



STACKING AREA ON PLUNGER



ORIGINAL PLUNGER

5. DIFFERENT PLUNGERS

Just by changing the plunger of a pressed item, it's possible to obtain a different aspect or create a collection with a small investment.

1 MOULD + 5 PLUNGERS = 5 PRODUCTS



PLUNGER°1



PLUNGER°2



PLUNGER°3



PLUNGER°4

6. COLOURED GLASS

Available only in pressed technique (in a complete piece or only on the stem), coloured glass can give a new lifecycle to an item.

An original way to give a high perceived value to a basic item.

Different colours also allows creating a collection.

1 ITEM + 5 COLOURS = 5 PRODUCTS

BLOWN STEMWARE (COLOUR ONLY ON THE STEM)



PRESSED ITEMS 100% COLOURED

Ice cream cups, candle holders, tumblers, mugs, bowls...

CUSTOMIZED SOLUTIONS

DECORATION

The perfect way to give an extra value to a standard item. Ideal to communicate a brand for a promotional campaign or create a collection (the same item with different decorations).

There are several decoration possibilities available to personalize a glass: silk screening, decal, laser, tampon, sand blasting, spraying, precious metals or the combination of two or more techniques simultaneously.

Although more frequently used in Business to Business, some of the decoration techniques are also appropriate for the Retail and Foodservice channels.



SILK SCREENING

The most widely used decoration technique it's used by almost all drink manufacturers to promote their brands in the market.

Considered by the drinking industry as a fundamental communication tool, it's ideal for big quantities. Starting in 5.000 pieces, it's possible to decorate until a maximum of 8 colors.

Market: fuel
360° deco
quadricolour



Market: spirits
180° deco
3 colours



Market: chocolate
360° deco
8 colours



Market: beer
2 side deco
3 colours



Market: wine
1 side deco
1 colour



Market: candle fillers
1 side deco
1 colour



It's also being more frequently used by other areas like food industry, personal care and household product manufacturers or even candle fillers.

Several types of inks are available, including precious metals, high-relief (embossing simulation) and phosphorescent (glow in the dark effect).

NEW INKS:

New organic inks (100% waterbased), with a wider palet pantones, are the latest novelty. Also available inks with special characteristics: glow in the dark and embossing simulation.



IT'S NOT EMBOSSEMENT

It's high-relief silk screening.

High-relief
Embossing simulation
(transparent or colours)

GLOW IN THE DARK

At night your brand comes alive!

Phosphorescent effect
(perfect for nightspots)



Market: beer
300° deco
7 colours



DECAL

The perfect solution for small quantities or for more than 8 colors. It's also an alternative to decorate areas where silk screening is not an option (manual application).

Market: non-drinks
bottom & sides
4 colours



Market: non-drinks
360° deco
8 colours

LASER

A low cost technique, perfect for subtle decorations (frequently used to mark gauge lines and nucleation points). It can be made in-line with production.

Market: foodservice
footplate deco



Market: b2b
gauge line



Market: wine
footplate deco

TAMPON

This technique is used in areas that are difficult or impossible to decorate by silk screening (too curvy areas or near the stem or handles). Available only or 1 color decorations

SAND BLASTING

This technique gives a frosting aspect to a piece. It's also possible to combine it with silk screening, creating a unique look.

Market: non-drinks
open deco



SPRAYING

A multitude of colors are available to transform a basic product into a high-end product.

It's possible to choose between different spraying options, types of ink or special effects.

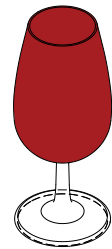
Spraying possibilities: bottom, outside and/or inside, ring, handle, bowl, stem or footplate.

Types of Ink: transparent, opaque (glossy or matt), frosted, metallic, pastel and neon;

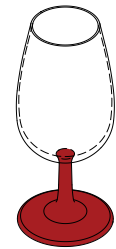
Special effects: mirror, spots, dégradé, splash, sprinkle, brush, twist, metalized look or clay imitation.

SPRAY POSSIBILITIES:

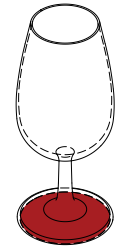
Areas of the glass where you can spray.



A . Bowl



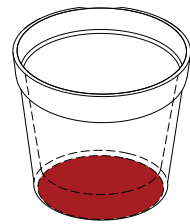
B . Stem



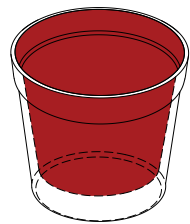
C . Footplate



D . Ring & Handle



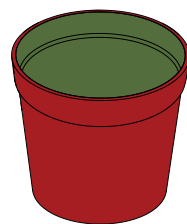
E . Bottom



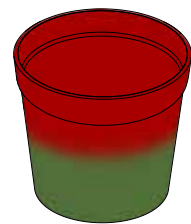
F . Inside



G . Outside



H . Outside & inside



I . Dégradé

TYPE OF INK

same colour in different sprays = unique aspects



1 . Transparent red



2 . Opaque red (glossy)



3 . Frosted red



4 . Pastel red



5 . Metallized red

NEON SPRAYING

6 OPTIONS



SPOTS EFFECT



MIRROR EFFECT

Only possible when spraying inside.



SPRINKLE EFFECT

A different way of applying a spray creating original pieces. Each item is unique (manual application).



TWIST BRUSH EFFECT

Manual paintbrush with a twist all over the stem. Each item is unique (manual application).



SPLASH EFFECT

Dynamic and creative effect, applied on any type of product. Each item is unique (manual application).



BRUSH EFFECT

A single paintbrush can change the look of a basic shape. Each item is unique (manual application).

METALLIC LOOK

New inks with a metallic look can turn a basic shape into a high-end product. Each item is unique (manual application).



CLAY IMITATION

Transforming glass into clay. Material combinations is a new trend that can be achieved with this innovative textured spray.

PRECIOUS METALS

Available in silk screening or just a filet on the rim, it's possible to choose between gold, silver, platinum and bronze.

Market: retail
gold silk screen



Market: retail
gold rim



Market: b2b
gold silk screen



COMBINATIONS

It's also possible to make combinations of different techniques creating original solutions:



Market: retail
bottom spray
(opaque)
laser



Market: retail
25% spray
(opaque)
manual paintbrush
(1 colour)

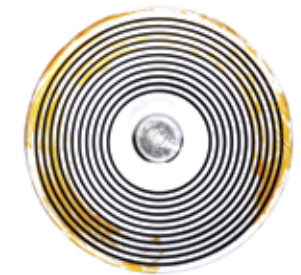
Market: beer
gold rim
silk screen
(3 colours)



Market: beer
embossing on glass
silk screen



Market: retail
high-relief silk screen
(1 colour)
75% spray
(opaque matt)



Market: retail
tampon
manual paintbrush
(2 colours)



Market: retail
interior spray
(opaque)
silk screen
(2 colours)



Market: beer
sandblasting (with mask)
silk screen (4 colours)



Market: milk
sandblasting
silk screen (1 colour)



CUSTOMIZED SOLUTIONS

PACKAGING

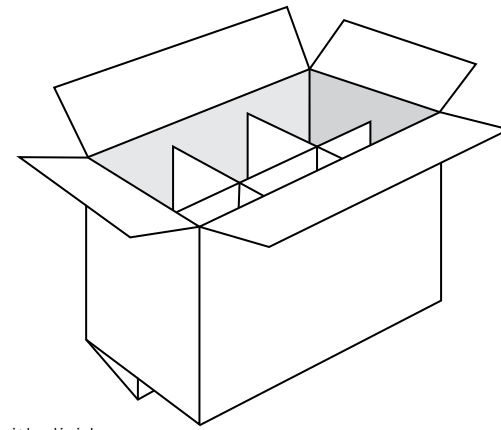
Packaging is more than the enclosing of an item. It's an important branding tool, playing a key role in communicating the image and identity of a product/brand.

An attractive packaging can help a product stand out on the shelves and boost its sales. From standard boxes to special packaging, the limit is imagination.

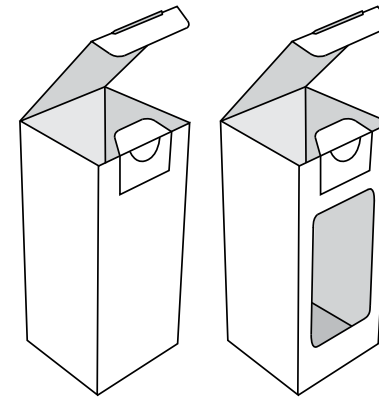
STANDARD PACKAGING

Although simple and plain, bulk packaging offers an unlimited number of options. It can also be personalized by printing.

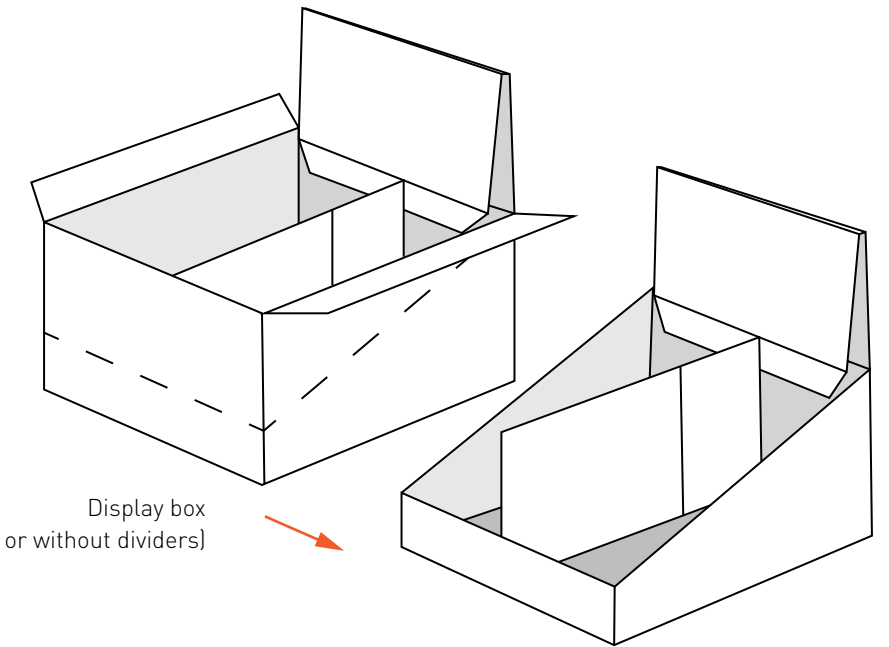
From standard boxes, trays or box palette to open sleeves, individual or display boxes, it's easy to find the best solution adapted to the needs of each customer.



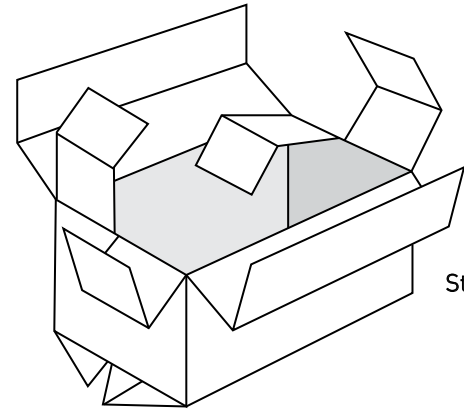
Standard box with dividers
(American style)



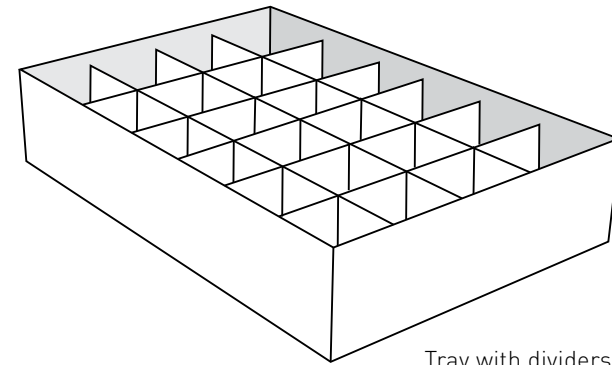
Individual box
(with or without window)



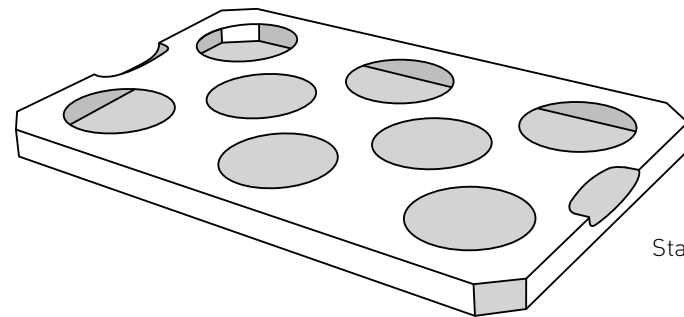
Display box
(with or without dividers)



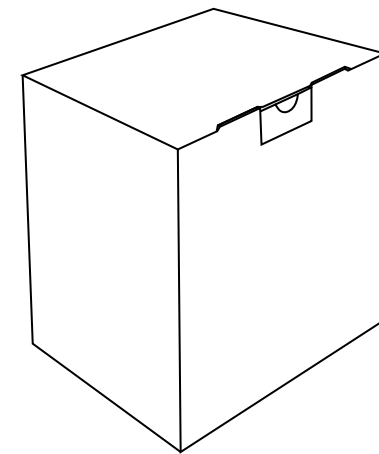
Standard box with flaps



Tray with dividers



Standard tray



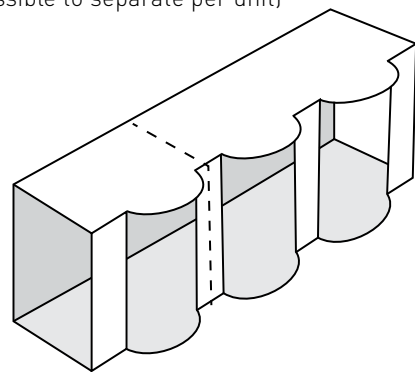
Auto-lock standard box

SPECIAL PACKAGING

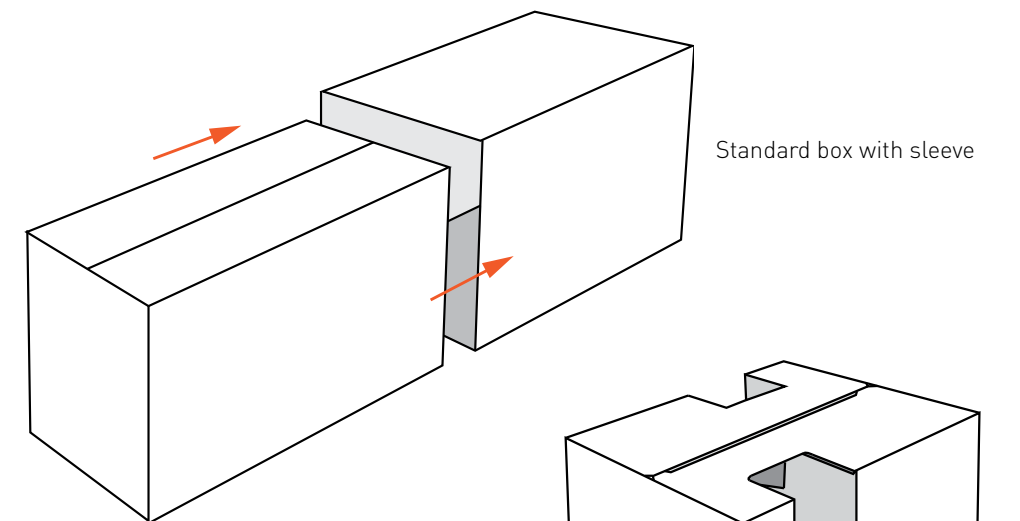
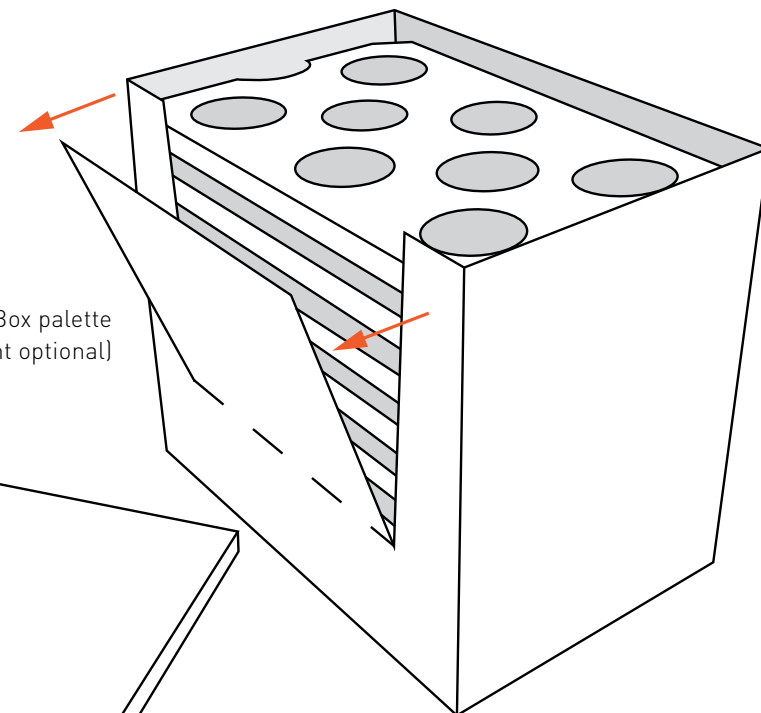
It's possible to develop special boxes based on functionality or originality. Elegant shapes or different layouts, anything counts to give a unique look to products.

Usually decorated, a special box is the perfect vehicle to communicate a brand or making products stand out from competition.

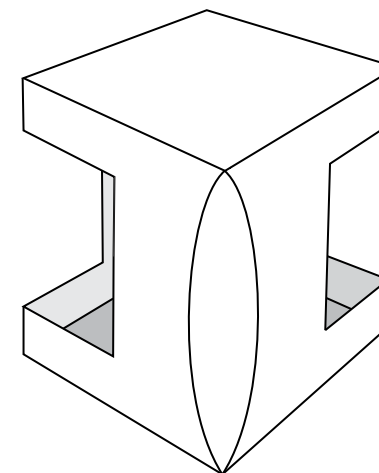
Open sleeve
(possible to separate per unit)



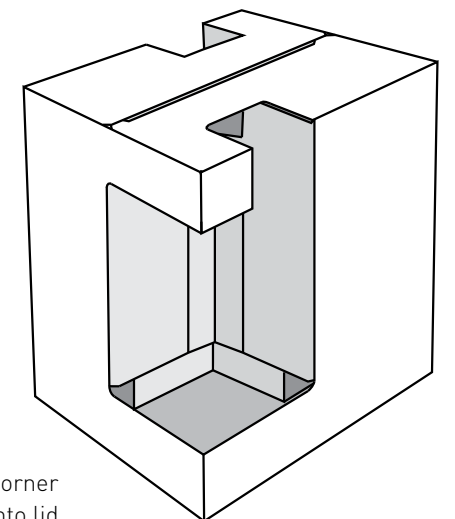
Box palette
(cover and detachable front optional)



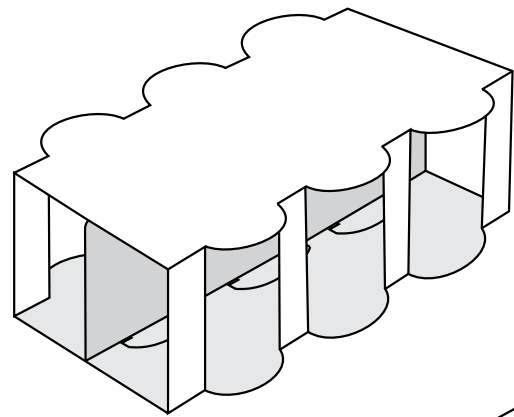
Standard box with sleeve



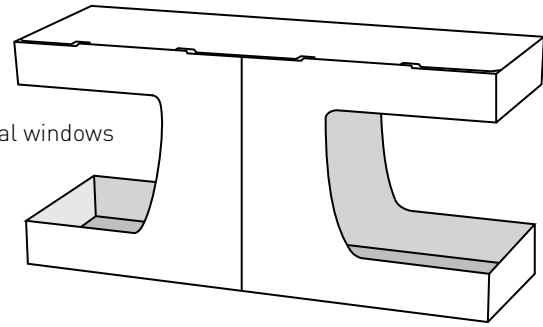
Ellipse corner box with windows



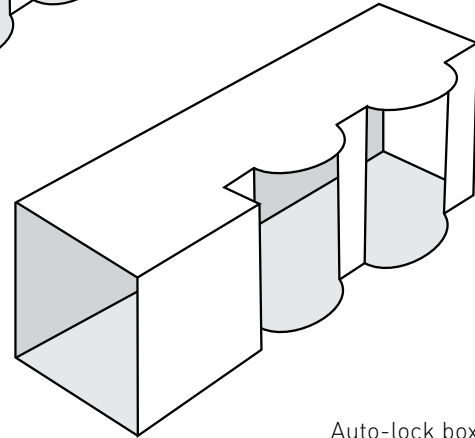
Box with corner
windows onto lid



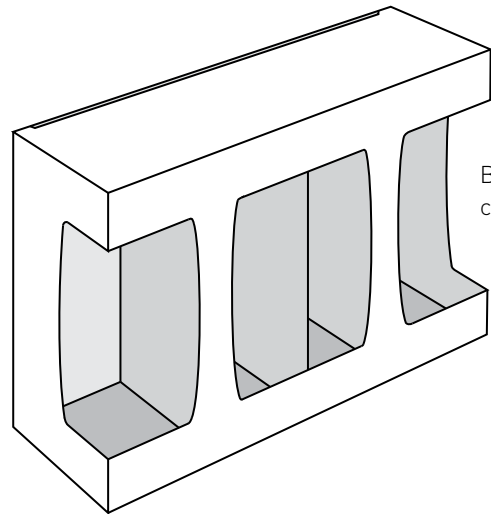
Open sleeve (pack of 6)



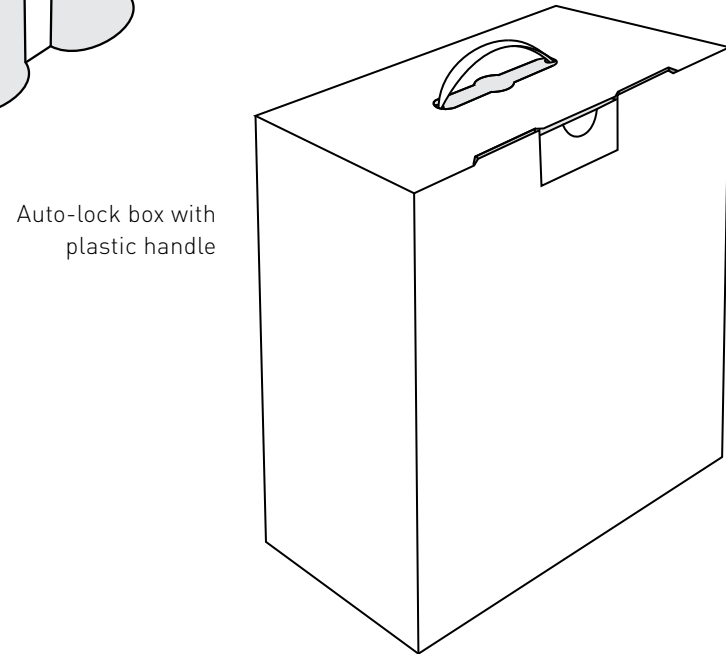
Box with lateral windows



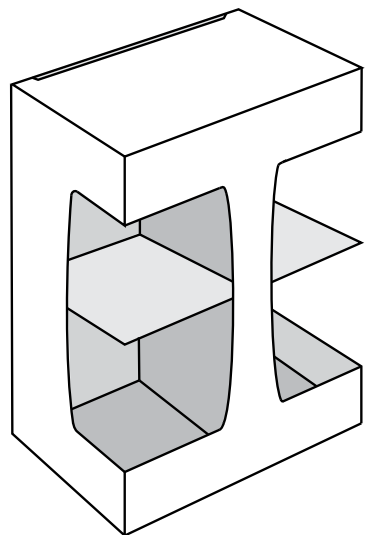
Open sleeve with front panel



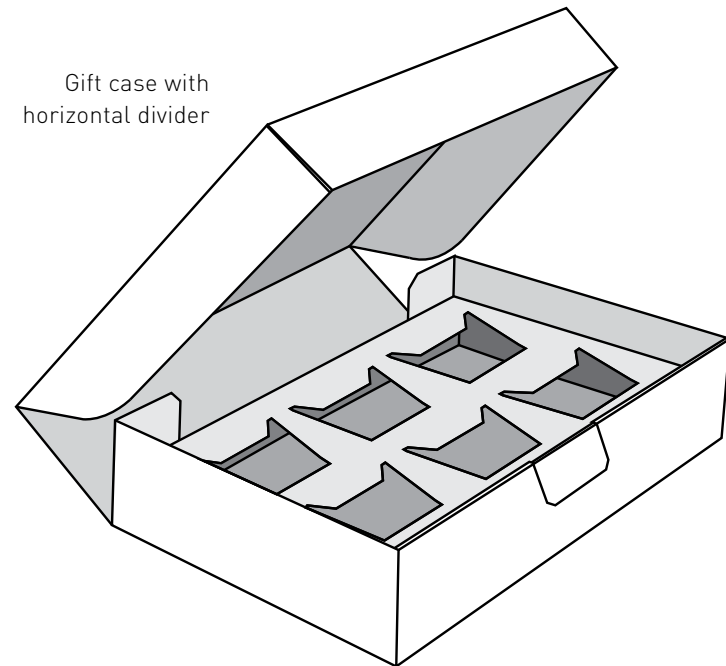
Box with front and corner windows



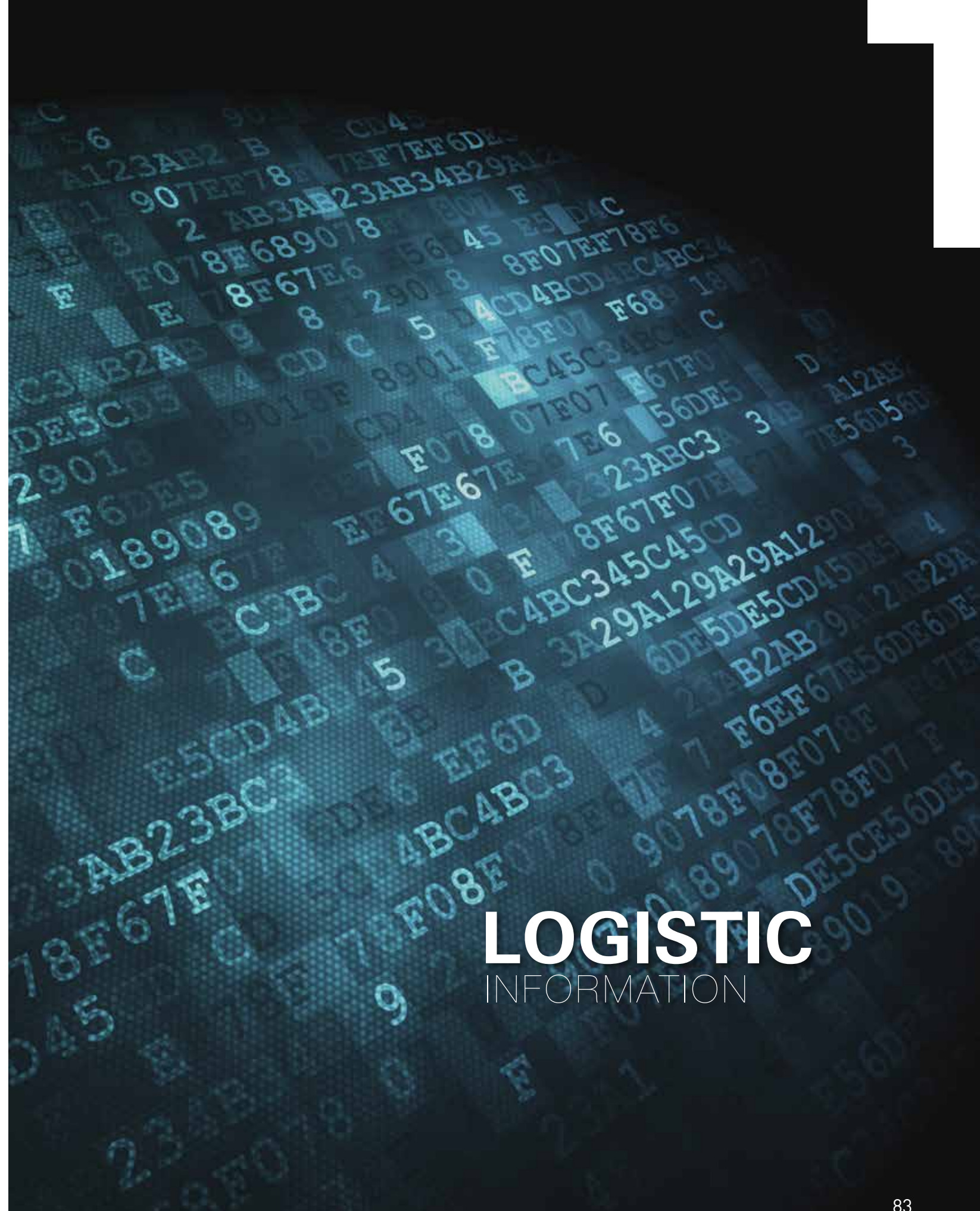
Auto-lock box with plastic handle



Box with corner windows



Gift case with horizontal divider



LOGISTIC

INFORMATION



LIBBEY®

PORTUGAL'2021

GLASSWARE PORTFOLIO & CUSTOMIZED SOLUTIONS

L-6965

Printed in Portugal

© Copyright 2020

Libbey Glass Inc. Toledo, Ohio 43699-0060

Libbey Portugal

tel: +351-244-545-800

fax: +351-244-545-802

info@crisal.pt

www.crisal.pt