

# sleepytroll

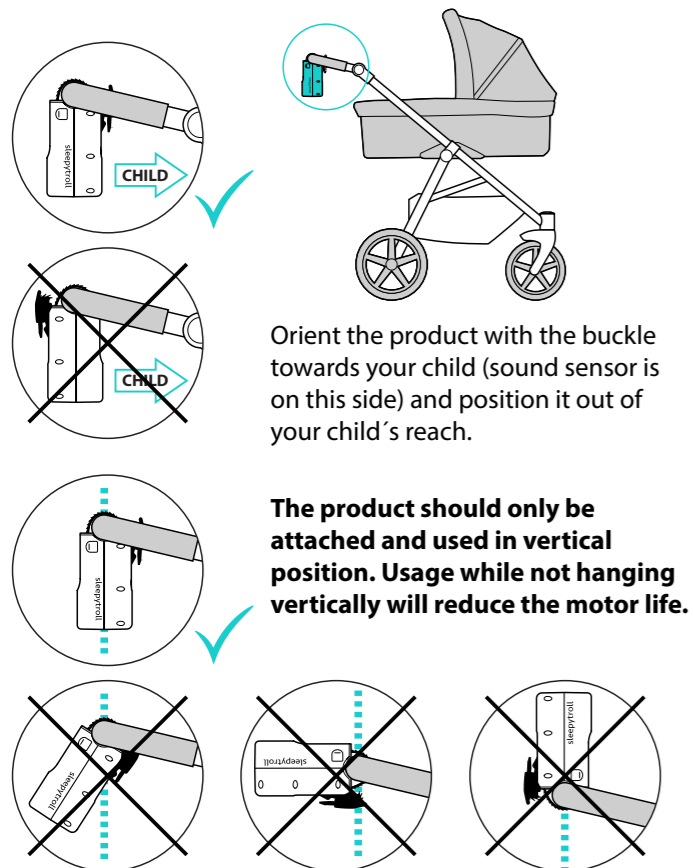
baby rocker



Congratulations on purchasing your new Sleepytroll Baby Rocker! For the latest information visit [www.sleepytroll.com](http://www.sleepytroll.com)

## English

### Positioning the product



### Introduction

The Sleepytroll is designed to attach to prams & strollers, and to gently rock your baby to sleep. It features two modes, *Sensor mode* and *Basic mode*. In *Basic mode* it will rock for 40 minutes before automatically turning off. In *Sensor mode* Sleepytroll will monitor sound and movement and start rocking when your baby becomes restless. **This product is intended to aid your child in sleeping and is not intended to replace a carer, or be used over an extended length of time.**

### Safety information

Please read these user instructions before using the product, and keep for future reference. Symbols used:

= **Warning - Risk of personal injury**

= **Notice - Risk of damage to the device**

**Warning - This product is not a toy and should be used by adults only.** Position the product out of reach of the child. Charge out of reach of children.

**Warning - Adult supervision is required, do not leave your child unattended.**

**Warning: Sleepytroll can produce a powerful rocking motion.** This allows the product to rock large / heavy prams. Always use the lowest setting that works with your pram and child's weight combination and simulates your normal hand rocking. It is your responsibility to make sure that your child is comfortable with the rocking effect setting you choose, as a too powerful rocking might discomfort or harm your child.

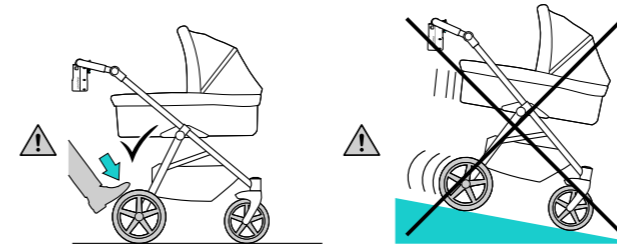
### Safety information continued

**Warning - Never expose the charger to water/moisture.** Risk of electric shock. Never charge the product when wet.

**Warning - Use only the supplied charger to charge the product.** Risk of electric shock / fire!

**Warning - Always lock the brakes on the pram/stroller before using the product.** Using the product with brakes unlocked may cause the pram/stroller to move.

**Warning - The pram/stroller should be positioned on a level/flat surface.** Positioning on a slope may allow the pram/stroller to move undesirably.



**Notice**

- The Sleepytroll is tested to IPX2 (light rain). Do not use the product in prolonged or heavy rain.
- Remove the product from the pram/stroller after use and store in a safe, dry place, out of direct sunlight.
- Do not open the product, it contains no user serviceable parts, and doing so will invalidate your warranty. If the product is not working correctly contact your place of purchase.

### Charging

When the Battery Indicator light shows red, the batteries are running low and it is time to charge the product. Remove the Sleepytroll from the stroller. Open the Charger Door and insert the charger plug. The light on the Sleepytroll will show red while charging, and green once the batteries are fully charged (usually after 2-2.5 hours). Press the Charger Door closed when finished. The product will not function while charging. Charge the product fully before first use.

**Warning - Do not use the charger outdoors, in wet/damp conditions or near heated surfaces.** Risk of electric shock / fire!

### Storage and battery care

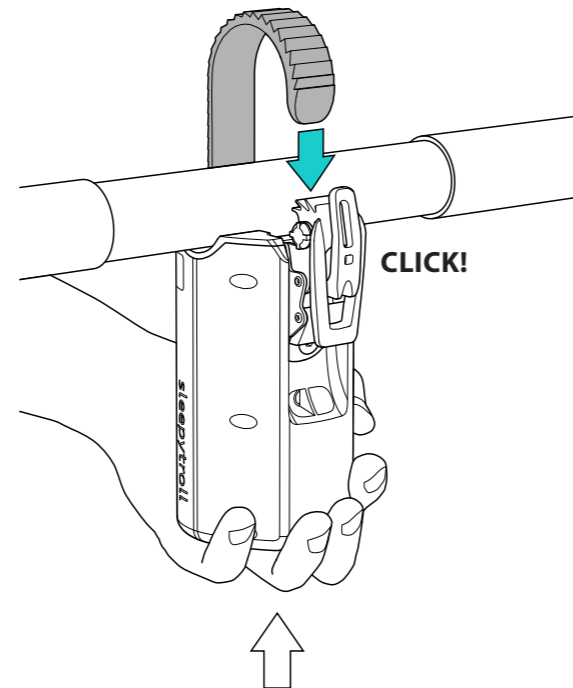
When not in use, remove the charger from the wall and store the product in a dry place out of direct sunlight and out of reach of children. When storing the product for long periods, be sure to charge at least twice a year to prevent deterioration in performance due to self discharging, and choose a storage area where the temperature is between +10°C and +30°C. To restore battery to original performance repeat several cycles of charging and discharging (run product at maximum effect on an empty pram until the batteries are flat)

### Cleaning and Maintenance

Clean the product with a cloth dampened with water only. Do not use soap or chemicals on the cloth.

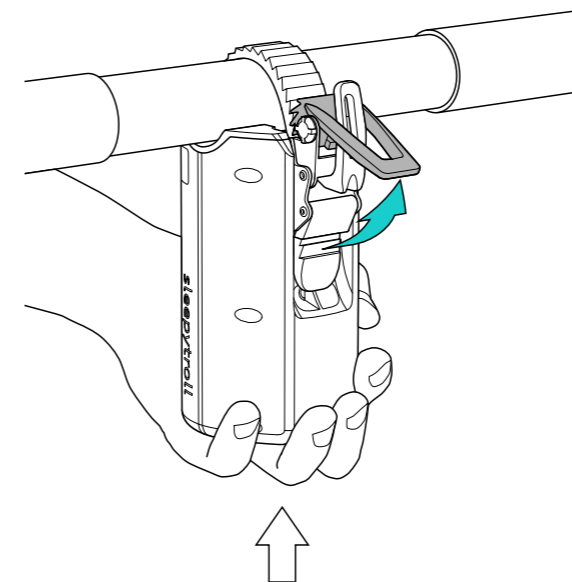
**Never submerge the product or charger in water or rinse under running water.** Ensure both product and charger are dry before using.

### 1. Attaching the product



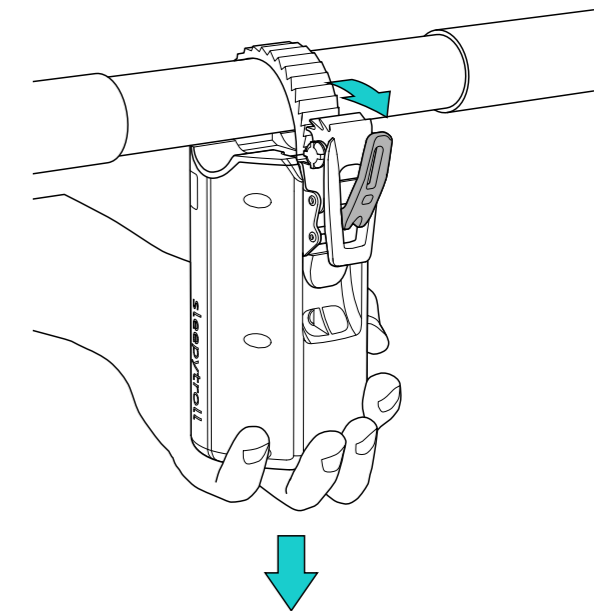
- Place your hand under the product to prevent dropping.
- Orient the buckle towards your child (sound sensor is on this side) and position it out of your child's reach.
- Pass the ladder strap around the handle and feed into the ratchett buckle until you hear a click.

### 2. Attaching the product

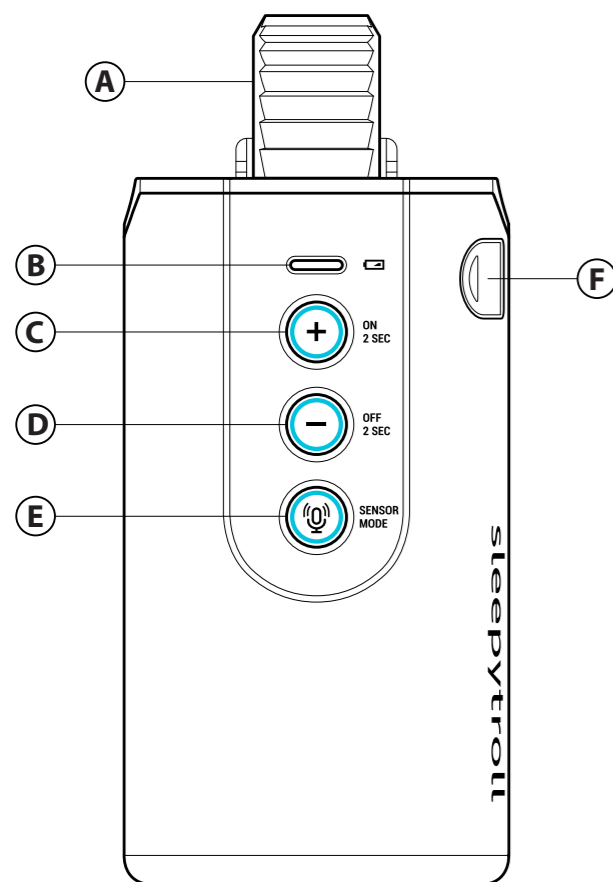


- Keep the product **vertical** as you tighten the ratchett. Tighten by rotating the ratchett lever (marked in grey) upwards, repeating until tight. The product should be firmly attached (not loose), but do not tighten so much that it deforms the product or stroller.

### Removing the product



- Hold the product underneath to prevent dropping.
- Open the ratchett release (marked in grey) and move the product downwards until the ladder strap is loose.



- A Universal ladder strap**  
Attach product to pram handlebar. Product should always be oriented vertically.
- B Battery / Charging / Status indicator**
  - Lights up when product is on.
  - Battery level: Green = Full, Yellow = Medium, Red = Low
- C On / Increase rocking**
  - Press and hold for 2 seconds to turn the product on.
  - Product will rock for 40 minutes and then stop.
  - Use short presses to increase the rocking effect.
- D Off / Decrease rocking**
  - Press and hold for 2 seconds to turn the product off.
  - Use short presses to decrease the rocking effect.
- E Sleepwatch Sensor Mode**
  - Short press to activate *Sensor Mode* (symbol is lit).
  - Rocking starts automatically if sound or movement is detected. (The sensitivity can be adjusted).
  - Short press again to deactivate *Sensor Mode*.
  - Alternatively hold (+) and (S) buttons together for 2 seconds to start directly in *Sensor mode*.
- F Charger port**
  - Open flap and plug in charger plug to charge product.
  - Only use the supplied charger and only charge indoors.
  - For the safety of your child the product can not be used while charging.

## Sleepwatch Sensor Mode

In *Sleepwatch Sensor Mode* the Sleepytroll will remain still until it detects movement or noise from your baby. It will then rock the pram for 3 minutes, and will then wait until it detects movement / sound again.

Pressing the (S) button activates and deactivates *Sensor mode*. Alternatively hold (+) and (S) buttons together for 2 seconds to start the product directly in *Sensor mode*.

**We recommend using the product in *Sleepwatch Sensor Mode* so as to rock only when your child is restless and to maximise battery runtime. Note: Sleepytroll will turn off automatically if sensors detect constant sound/movement.**

## Sensor Adjustments

If the sound or movement sensors are either too sensitive or not sensitive enough, you can adjust the sensitivity.

### Sound Sensor adjustment:

1. Press the (S) button to activate *Sensor Mode*
2. Hold the (S) button for **5 seconds** until the battery indicator starts blinking to indicate adjustment mode, the indicator color shows the sensitivity level.
3. Press (+) to increase Sensitivity or (-) to decrease. Sensitivity colors: Lowest = Red, Low = Yellow, Medium = Green, High = Light Blue, Highest = Blue
4. Hold the (S) button for 5 seconds to leave Adjustment mode.

### Movement Sensor adjustment:

1. Press the (S) button to activate *Sensor Mode*
2. Hold the (S) button for **10 seconds** (keep holding even though the battery indicator starts blinking after 5 seconds). Battery indicator blinking indicates adjustment mode, and color shows sensitivity setting.
3. Press (+) to increase Sensitivity or (-) to decrease. Sensitivity colors: Lowest = Red, Low = Yellow, Medium = Green, High = Light Blue, Highest = Blue
4. Hold (S) button for 5 seconds to leave Adjustment mode.

## Troubleshooting

**Product stops after 40 minutes?** The product is programmed to stop after 40 minutes. You may use the product in *Sleepwatch Sensor mode* to monitor your child's sleep and rock as necessary over a longer period.

**Product will not start?** Check the battery is fully charged and charger is disconnected. Position Sleepytroll to hang vertically.

**Rocking effect is too strong or too weak?** Check that the product is firmly attached to the stroller handle, and adjust the rocking speed.

**Product is too sensitive / too little sensitive to sounds in *Sensor Mode*?** Adjust as described under *Sensor Mode*.

**Product is too sensitive / too little sensitive to movement in *Sensor Mode*?** Adjust as described under *Sensor Mode*.

**All buttons and lights flash, product will not run?** This indicates that the motor has difficulty rocking the product and is a safety cutout feature. Check that the product is hanging vertically on the stroller, that the batteries are charged and try again. If the problem persists contact the store you purchased Sleepytroll from.

## Frequently Asked Questions

### • What age child can the Sleepytroll be used with?

The product can be used with children aged 0-3.

### • Does the product remember my previous setting?

Yes the Sleepytroll will start in the same mode and rocking effect the next time you turn it on.

### • What temperature range can I use Sleepytroll in?

The Sleepytroll can be used in temperatures from -10 to +35 degrees. Cold temperatures will affect the battery during use so lower battery capacity should be expected.

### Warning, cold conditions can put your child at risk!

Check health/safety recommendations in your country and protect your child appropriately.

### • How do I choose the best rocking setting for my pram?

All prams are different, adjust the rocking effect setting so that it gives the desired movement to suit your child.

### • Can I attach the Sleepytroll anywhere on the pram?

Attach the Sleepytroll out of reach of your child. For best results attach it high up and on the main handlebar, hanging vertically.

### • Can I use the Sleepytroll in the rain?

The Sleepytroll is tested to IPX2 and can be used in light rain. Do not expose the Sleepytroll to prolonged or heavy rain.

### • Why is it called Sleepytroll?

The name Sleepytroll is inspired by the Norwegian stories of trolls known for sleeping during the daytime.

## Recycling

• This symbol means that this product shall not be disposed of with normal household waste. (2012/19/EU). The product contains a built in rechargeable battery which shall not be disposed of with normal household waste (2006/66/EC). Please take your product to an official collection point to have a professional remove the rechargeable battery.

• Follow your country's rules for the separate collection of electrical and electronic products and rechargeable batteries. Correct disposal helps prevent negative consequences for the environment and human health.

• Packaging: The paper and cardboard packaging used can be disposed of as recyclable paper. The plastic wrapping may be recycled or disposed of, depending on the requirements in your country.

### Removing the rechargeable battery (professional only)

**Warning: Only remove the rechargeable battery when the product is to be discarded.** Make sure the battery is completely empty when you remove it. To remove the battery you will need a Philips (cross head) screwdriver, an 2.5mm Allen/hex key and a knife or pair of snips. Observe basic safety precautions when you follow the procedure below and be sure to protect your eyes, hands, fingers and the surface on which you work.

1. To deplete the rechargeable battery of any charge, start the product and run it in *Basic mode* at maximum speed. Repeat this step until you can no longer turn on the product.

## Recycling - continued

2. Open the ladder strap fully, and undo the 2 hex screws on top of the product. Now undo all 6 Philips screws at the back of the product.
3. Carefully pull the Front and Rear halves away from each other to expose the mechanism inside.
4. Carefully unplug the wires to both battery packs and cut the cable ties that hold them in place and remove the battery packs.
5. The rechargeable battery pack can now be recycled and the rest of the product discarded appropriately.

## Warranty and support

If you need information or support, please visit: [www.sleepytroll.com](http://www.sleepytroll.com)

The terms of the international warranty do not cover the following:

- Damage caused by misuse, abuse, neglect or unauthorised repair.
- Normal wear and tear, including chips, scratches, abrasions, discoloration or fading.

Note: The motor inside the Sleepytroll may become louder after a period of use, this is normal for a brushed motor. Using the product while it is not hanging vertically will shorten the motor life of your Sleepytroll.

## Regulatory information

Electromagnetic fields (EMF). The Sleepytroll complies with CE and FCC regulations regarding exposure to electromagnetic fields.

### Sleepytroll Product

Model: SLT001  
Operating Temperature: -10 to 35 degrees  
Battery type: Rechargeable NiMH  
Packaging dimensions W x D x H:  
Packed: 114 x 108 x 190mm, Unpacked: 74 x 90 x 167mm  
Weight, Packed: 0.88kg Product unpacked: 0.65 kg  
ROHS (Reduction of Hazardous Substances) compliant

### Charger

Model: ICP05C-050-1000D  
Input: 100-240V, 0.3A, 50/60Hz  
Output: DC 5V, 1000mA

Designed in Norway by Abry & Kavanagh Design AS.  
Made in China

Sleepytroll is a registered trademark of Babliss AS.  
Patented and Design registered.

### Babliss AS

Ralph Tamsveit 10B  
NO-1384 Asker, Norway



July 2020 Babliss AS: v100020

CARDBOARD  
widely recycled  
PLASTIC  
check local recycling