



SUMMER COIN MECH.

Thank you for choosing one of Roberto Sport's products. Our tables are famous for their quality and accuracy of their components. Roberto Sport has been producing table soccer, pool and hockey tables for more than 65 years. Huge experience and tradition, constant research and innovation have brought Roberto Sport's name as a synonym of the "**Made In Italy**" football tables all over the world.

GENERAL WARNINGS



Unpacking and assembly operation should be carried out entirely by adults. Keep children away throughout all steps. All small parts such as bolts, screws etc., not yet assembled, and nylon bags might be swallowed or inhaled.

CARE & MAINTENANCE



The model you bought is for *outdoor* use, therefore, you can place it in an open environment since its material resists to different weather conditions. Although the rods have an additional chrome plating, they are made of hardened steel which, in case of getting wet, may form rust. To prevent the rust formation, please find included a special waterproof cover to be put when not in use.




In order to keep your tables performance at a high level, we suggest you clean it periodically by using a humid dust cloth. For difficult stain you may use abrasive-free detergents. For an utmost sliding rods: we suggest you get the external part of the rod lubricated (the one in touch with the bushing) along with the rod's internal part by using a silicon spray. **Roberto Sport** uses and supplies a special silicon spray studied, produced and tested for these purposes. Do not use grease; it holds the dust and might block the rod sliding. The telescopic rods assembled on this table are of a highly safe. To prevent rods bending, we recommend you do not load weight on the rods when extended.

WARRANTY

Roberto Sport has a two- year warranty for its products starting from the acquisition date. Warranty covers manufacture defects only; it doesn't cover damages caused by misuse or assigned to be due to wear & tear. A manufacture defect must be reported at the earliest by a written communication within two months. A written notification must be sent to the vendor. Roberto Sport is committed to restore the table with no charge on the buyer by repairing or replacing the damaged part/parts or by offering a discount.




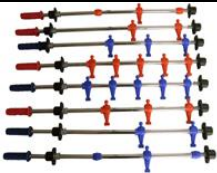
PARTS LIST

1		Lubricant spray
10		Balls
1		Scoring unit


Material for legs assembly

2		Iron crossbar
4		Iron legs
8		Locknut diam. 10mm
8		Metal flat 10x30
4		Screw 8x120 (for crossbar)
4		Plastic flat
4		Foot diam. 80
4		Metal flat 12x32
1		L allen spanner 6

Material for rods

35		Screw 5x20
1		Set complete of rods

Material for aluminium trim

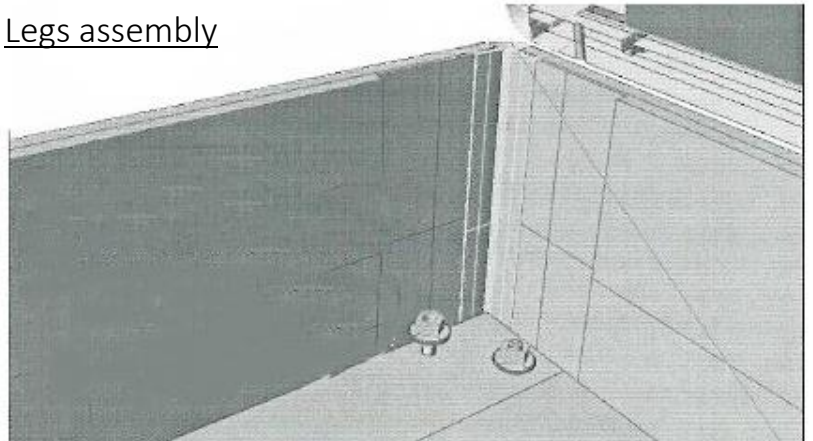
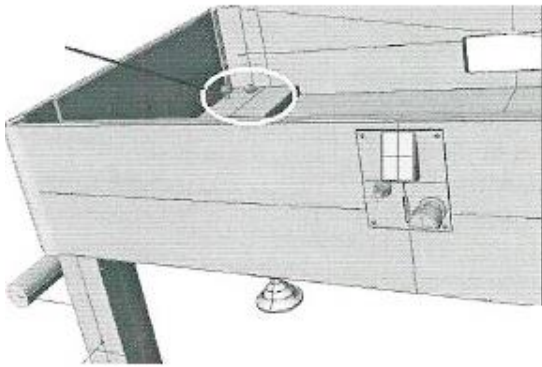
7		Screw 4,5x16
---	---	--------------

ASSEMBLY INSTRUCTIONS

The football table is packed in a carton box with the rods and legs to be assembled. The assembly operation is very simple and needs about 45 minutes. To start please follow the below instructions.

Please read and keep these instructions for future reference.

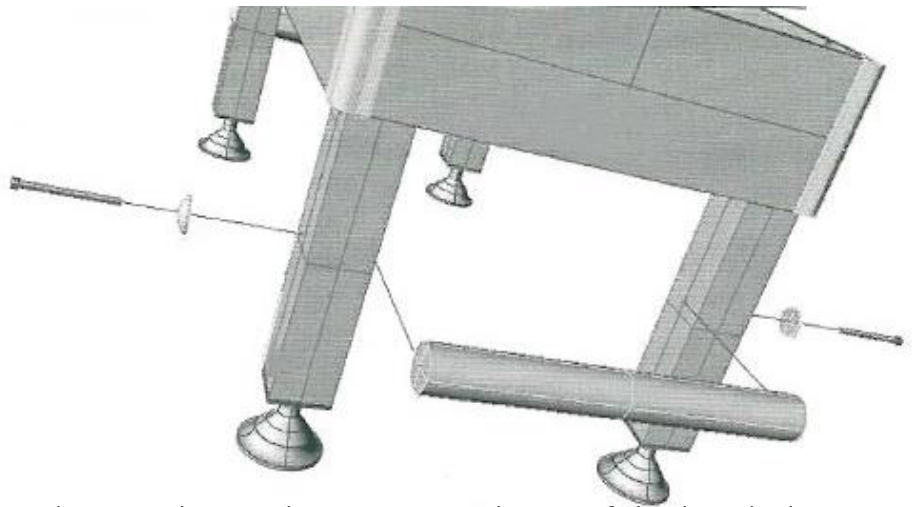
Legs assembly



1. Insert the pin of the leg inside the holes
2. Screw nut and washer without pressing to allow the fixing of the crossbar

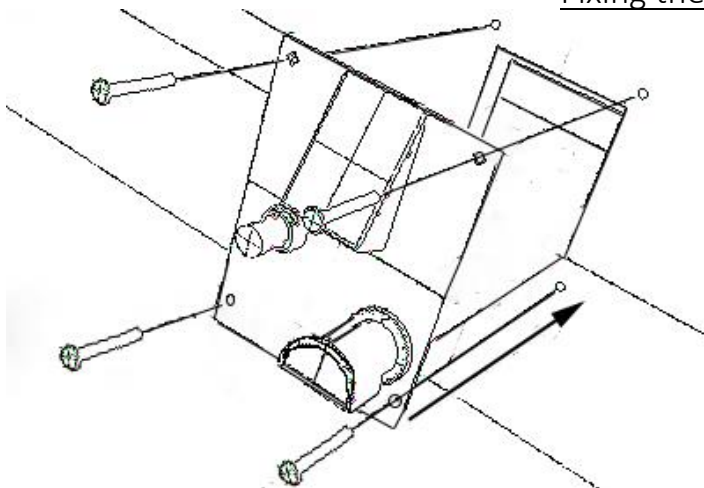
FOOT FIXING

1. Screw the foot in the lower part of the leg
2. When the table is flat, block the nut against the washer

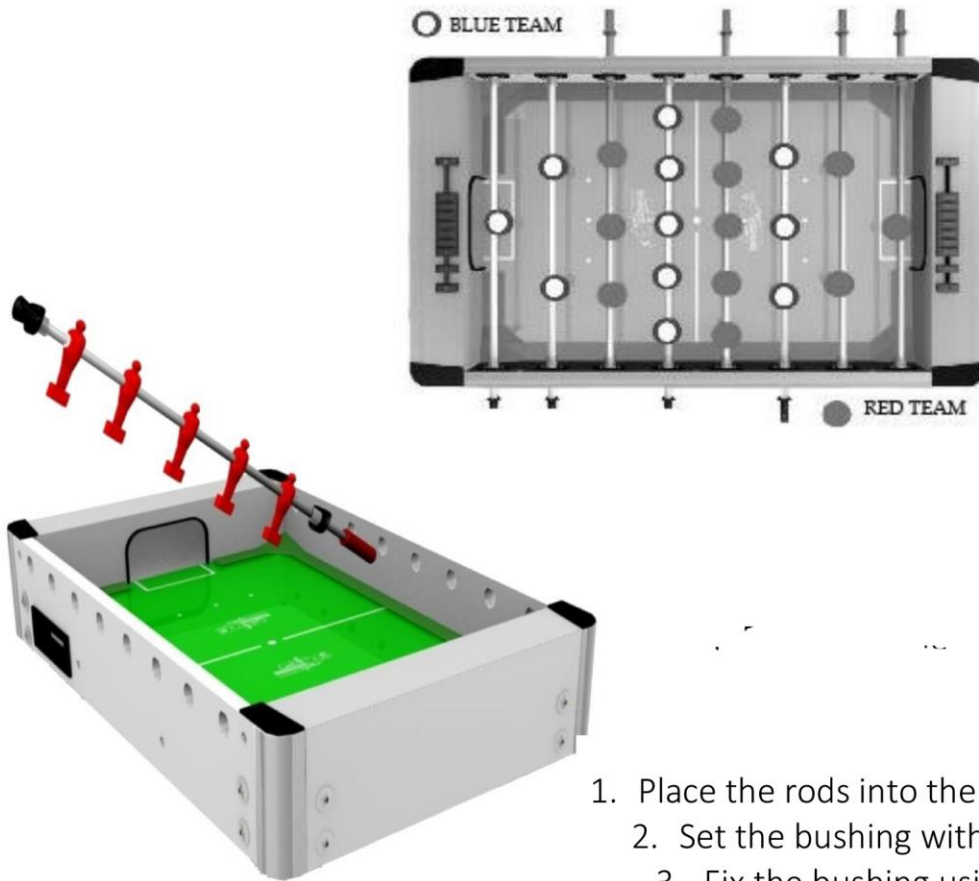


1. Put the crossbar in the correspondence of the legs holes
2. Fix the crossbar with the screw 8x120 and the plastic flat washer

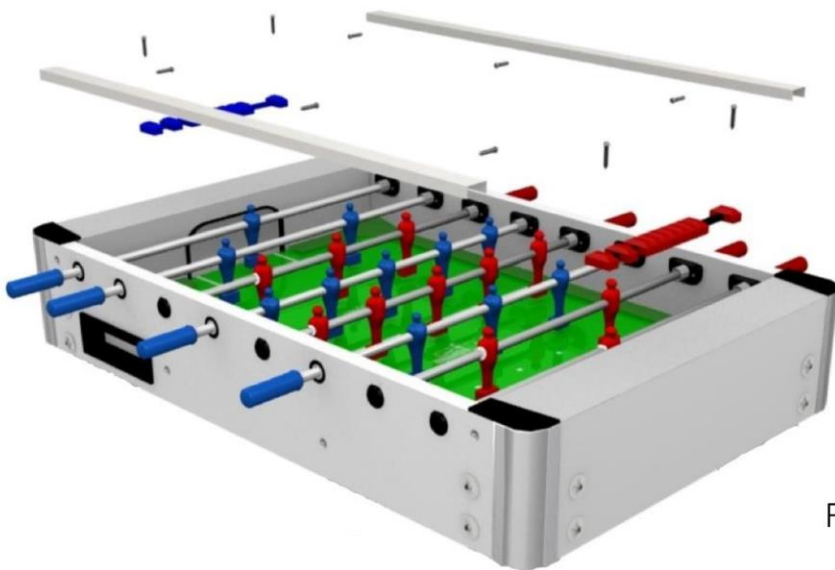
Fixing the coin mechanism



1. Insert the coin mechanism in the slot and hook the tie rod to the ball release mechanism
2. Fix the coin mechanism with its screws, washers and bolts



1. Place the rods into the holes from the handles side.
2. Set the bushing with the screw holes upwards
3. Fix the bushing using the screw (5x20 mm)



Fix the scoring unit using its screws

Fix the aluminium edge with the 4.5x16 screws (nr. 3 on each side)