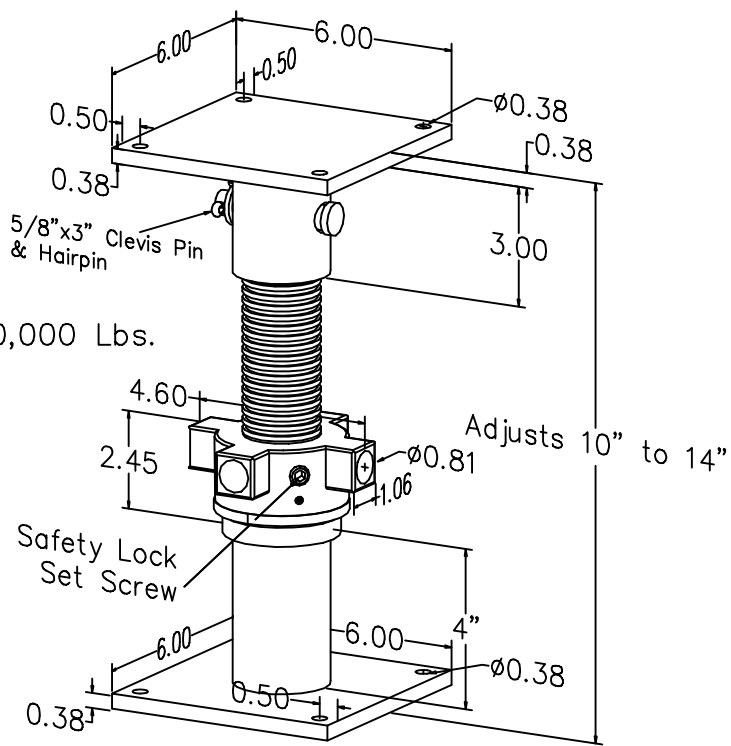


STL-10 Light Duty Steel Shore with Patented Roller Bearing Nut and Safety Lock Set Screw.

Item # STL-10
Adjusts 10" to 14"
Safe Load Capacity: 20,000 Lbs.
Weight: 16 Lbs. Ea.
MADE IN USA



Use Turning Bar as lever for height adjustment (Item # MJ-TB12, MJ-TB24, MJ-TB36).

DO NOT EXCEED SAFE LOAD CAPACITY.

© 2019 ELLIS MANUFACTURING CO., INC.