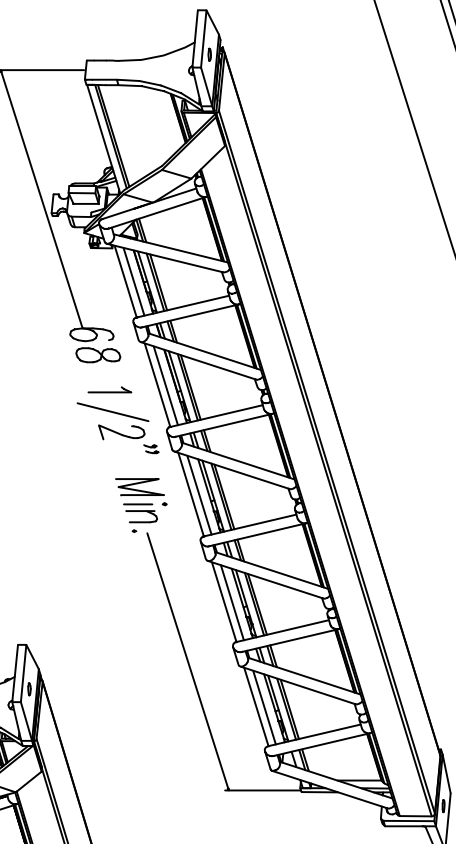


8-13 Horizontal Shore (HS-813)

Adjustment: 92" Min - 156" Max.

Safe Max. Uniform Load Capacity

Span	Load Lbs.
8'	4,400
9'	4,000
10'	3,500
11'	3,000
12'	2,500
13'	2,000

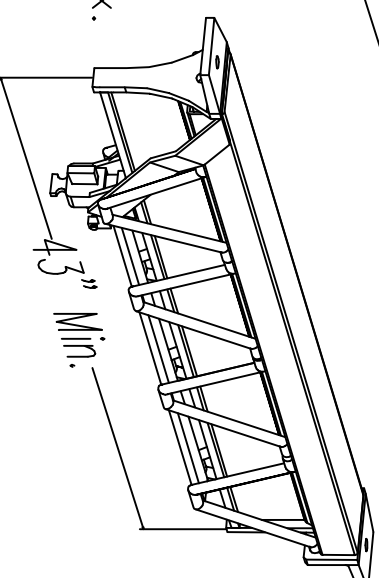


6-10 Horizontal Shore (HS-610)

Adjustment: 68.5" Min - 122" Max.

Safe Max. Uniform Load Capacity

Span	Load Lbs.
6'	5,400
7'	4,800
8'	3,400
9'	3,000
10'	2,500



4-6 Horizontal Shore (HS-46)

Adjustment: 43" Min - 74" Max.

Safe Max. Uniform Load Capacity

Span	Load Lbs.
4'	5,000
5'	4,000
6'	3,000