

DIAGRAM A: DEPLOYED TRIPOD

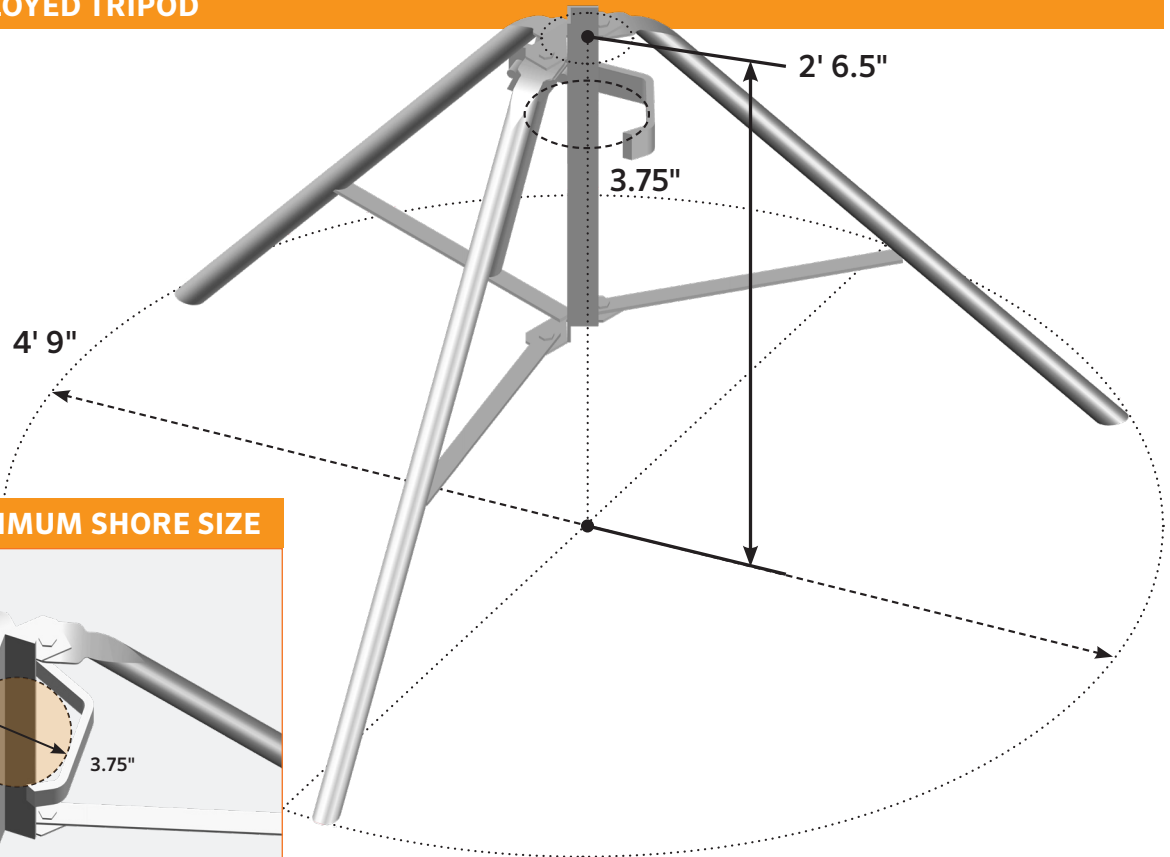


DIAGRAM B: MAXIMUM SHORE SIZE

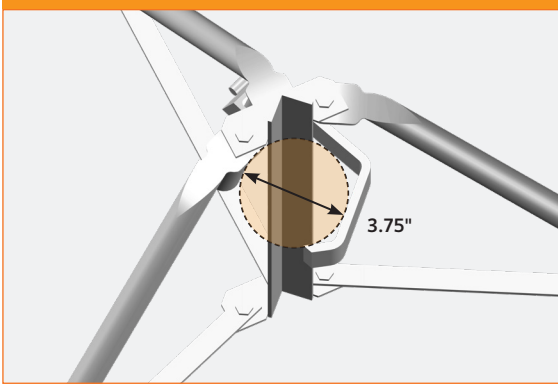
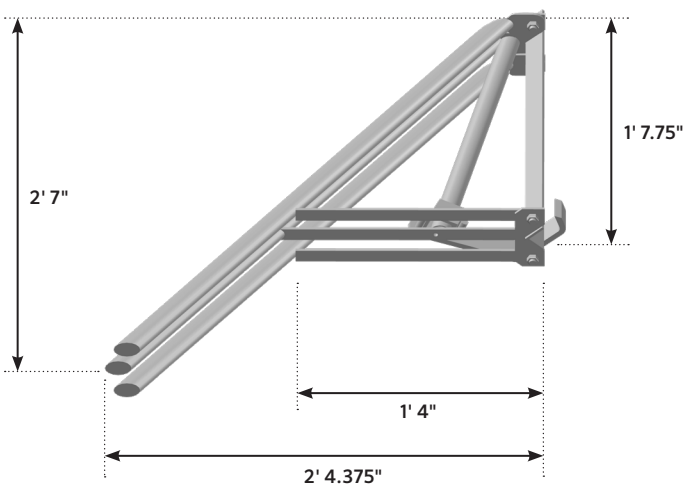


DIAGRAM C: CLOSED TRIPOD



STRENGTHEN YOUR SHORES WITH ELLIS[®] TRIPODS

The Ellis MFG Shoring Tripod is a simple and fast way to keep shores upright during the setup process. It's all steel, foldable for easy storage and transport, and removable/reusable. The Shoring Tripod is designed to fit a wide range of post shores or shoring props from 1.5" up to a 3.5" nominal 4x4 Ellis Shore.

The Ellis Tripod can be used with the Ellis Light Duty Steel Shores, Light Duty Steel Lifting Shores, Ellis Heavy Duty Steel Shores, and the Ellis 4x4 post shores.

** Tripods can be used with Shores 32" and taller. The STL-37 and taller Steel Shores are compatible with the Ellis Shoring Tripod.*