

FEATURES

LIFTING CAPACITY AND LOAD SUPPORT:

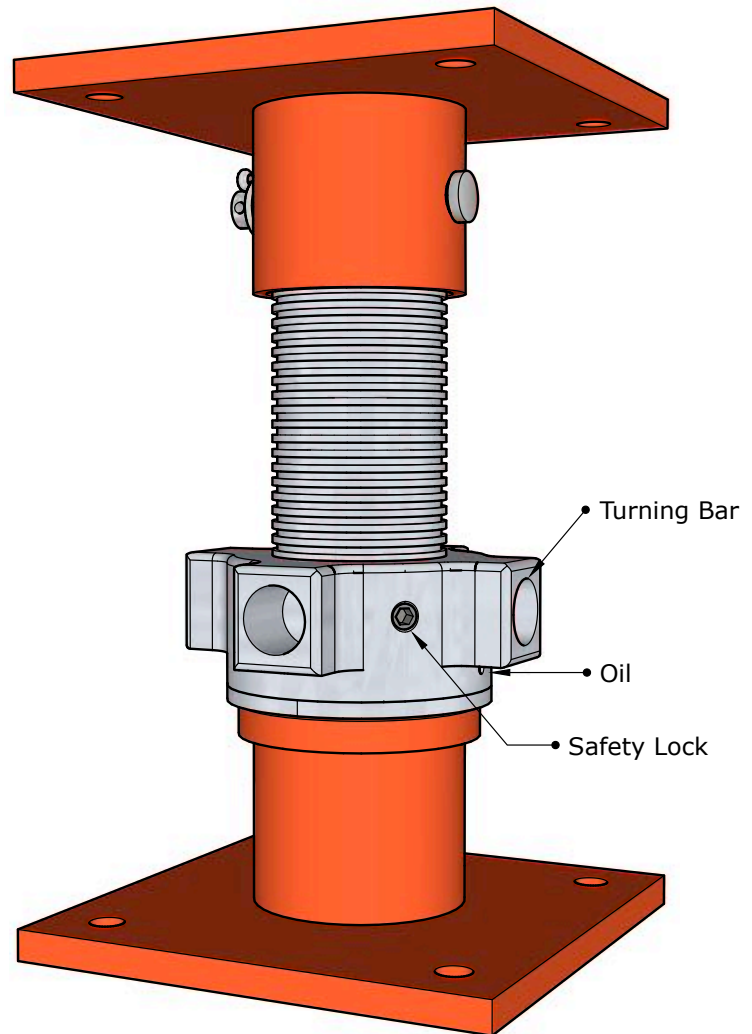
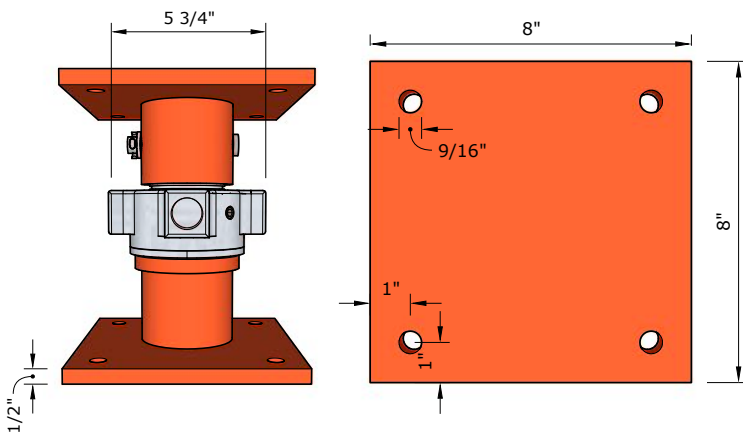
Ellis Lifting Shores provide a quick, easy, and safe way to temporarily or permanently support both residential and commercial structures.

SPECIFICATIONS:

- 10 in - 176 in adjustable lengths available
- Removable top with alternate options available
- Thrust bearings reduce friction during adjustment
- Positive connection for uplift resistance
- Safety Lock for long term shoring



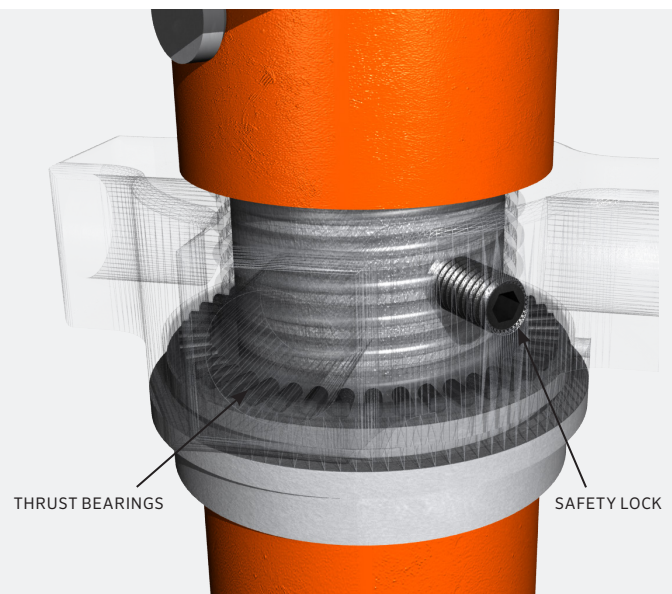
1" diameter steel rod can be used for extra leverage to assist in turning the Heavy Duty Steel Shore Nut. Rod sold separately, available in 12", 24", 36", and 60" lengths.



THRUST BEARING & SAFETY LOCK

This patented design, found in the Ellis Lifting Shores, greatly reduces the amount of friction caused when adjustment to the nut is made under load and significantly increases its jacking capability. Unlike standard shores, Ellis Lifting Shores are built as one complete unit to provide uplift resistance and do not come apart. We have also added the Safety Lock set screw on the side of the nut. When tightened the adjustment nut locks in place for permanent or long term shoring applications.

All shoring applications should be properly braced to prevent lateral shifting. Consult with a certified structural engineer for approval of any Ellis Manufacturing Products.



SPECIFICATIONS

EASY INSTALLATION

Prior to installation change out top by removing cotter pin, clevis pin, and washer and then replace with alternate top as needed. Turn the nut to raise or lower the screw and top plate; 4 full turns is equivalent to 1" of height adjustment. When desired height is reached, tighten Safety Lock with 6mm allen wrench to prevent further height adjustment. Before making future adjustments ensure the shore's thrust bearings are properly lubricated with aerosol lubricant.

- ➔ **Steel Shores should be placed on a flat solid foundation. Steel Shores should not be subject to any lateral force. Steel Shores should be used to support straight vertical loads only. We recommend tightening set screw on the side of the nut with 6mm allen wrench for long term support. Do not extend screw past advertised adjustment range. Do not exceed max safe load capacity. Before construction begins it is recommended that you consult with a certified engineer for approval of our products within your application.**

HEAVY DUTY LIFTING SHORE

| Item # | Adj. Range | Safe Load Capacity | Weight |
|-----------|------------|--------------------|--------|
| STL-10HD | 10-14" | 56,000 lbs | 34 lb |
| STL-13HD | 13-20" | 52,000 lbs | 37 lb |
| STL-19HD | 19-32" | 48,000 lbs | 43 lb |
| STL-31HD | 31-56" | 40,000 lbs | 55 lb |
| STL-55HD | 55-80" | 34,000 lbs | 72 lb |
| STL-79HD | 79-104" | 30,000 lbs | 88 lb |
| STL-103HD | 103-128" | 27,000 lbs | 99 lb |
| STL-127HD | 127-152" | 26,000 lbs | 116 lb |
| STL-151HD | 151-176" | 25,000 lbs | 131 lb |

Nut Assembly - Forged for durability, galvanized. Houses thrust bearings to increase lift capacity. Lockable with Safety Lock.

Top plate - Interchangeable 8"x8"x1/2" Steel Plate, 4 - Holes 9/16" Dia.

Base Plate - 8"x8"x1/2", 4 - Holes 9/16" Dia.

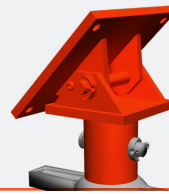
Acme Screw - 2-7/8" Dia. (Lengths vary)

Pipe - 3" Sced. 40 (Lengths vary)

Safe Load Capacity - Listed value reflects a 2.5/1 factor of safety at full extension.

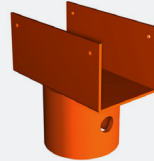
TOPS AND ACCESSORIES

TOPS



PIVOTING TOPS

Intended to secure the Ellis Steel Shore to the object being supported and will pivot up to 45 degrees.



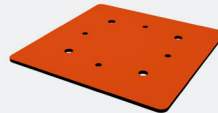
U-HEAD TOPS

The Ellis U-Head Tops secure the Steel Shore to a single, double, triple or quad 2x6 joist. Also for 4x6 and 6x6 beams.



All Ellis Lifting Shores feature interchangeable tops with optional custom designs.

ACCESSORY OPTIONS



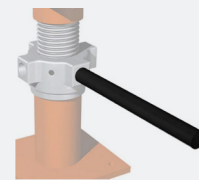
BASE PLATE EXTENSIONS

Extend the standard base or top plate of any Ellis Lifting Shore with a Base Plate Extension.



ELLIS SHORING TRIPOD

The portable steel Ellis Shoring Tripod is a simple and fast way to keep shores upright during setup.



ADJUSTMENT RODS

Adjustment Rods are used to gain extra leverage when making height adjustments.



For more help with your shoring needs go online to our website at www.EllisMFG.com or call us at 1.800.654.1796.

