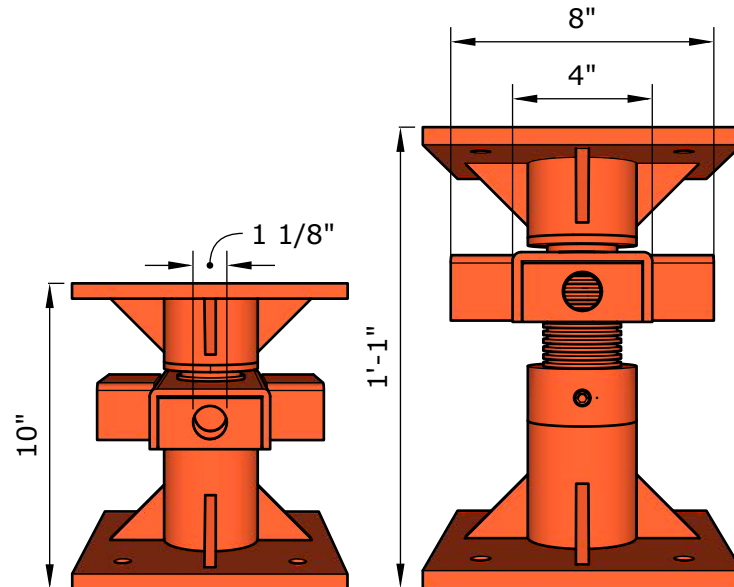
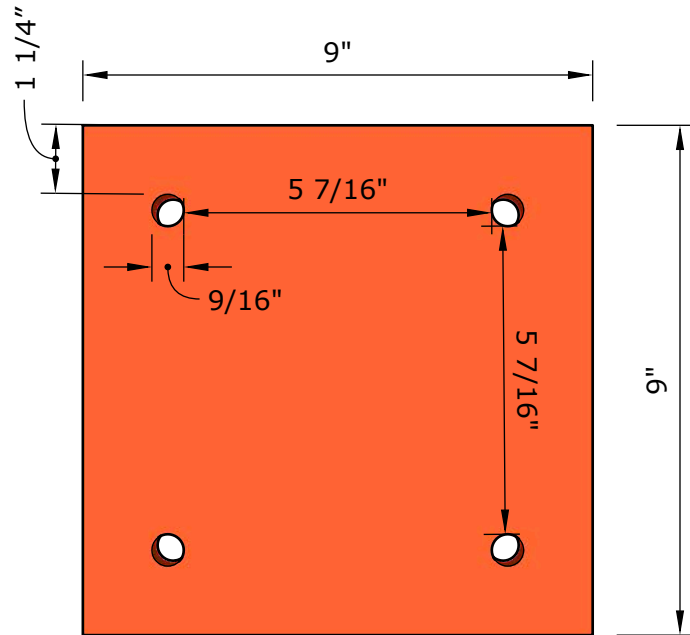
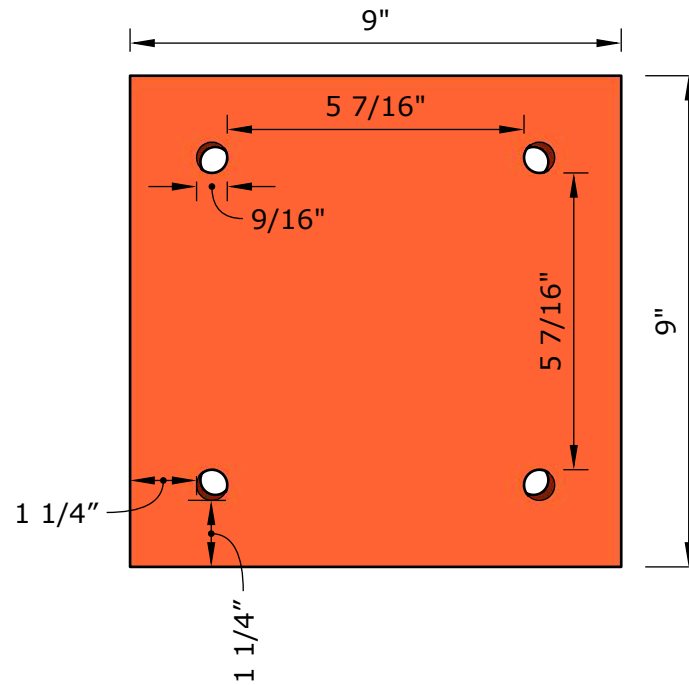


Locking Set Screw



Ellis MFG Co. Inc.

4803 North Cooper Ave.
Oklahoma City, OK 73118

800.654.8311

engineering@ellismfg.com

SHOP DRAWING

ITEM #: BJ-3

DESCRIPTION:

The Ellis Bridge Jack / Modular Building Jack has a safe load rating of 80,000 pounds. Adjusts 10"-13".