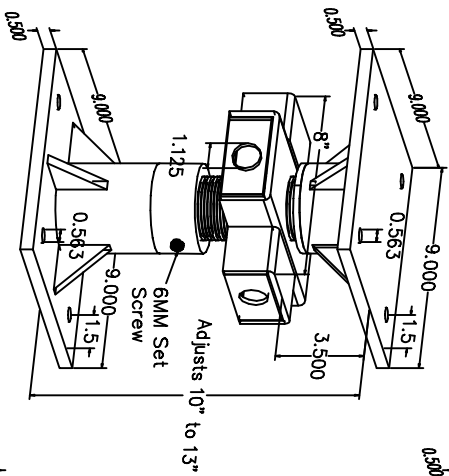


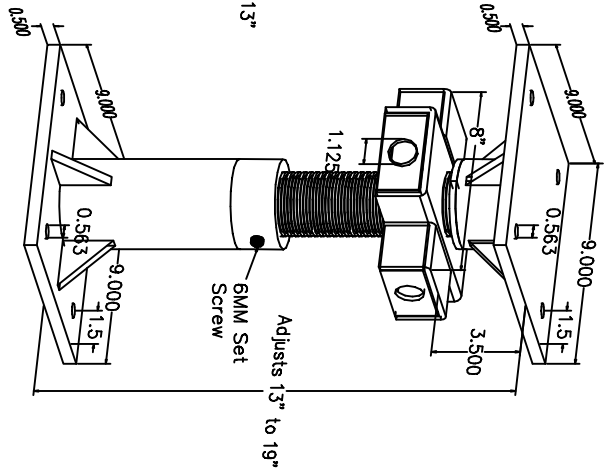


Ellis[®]

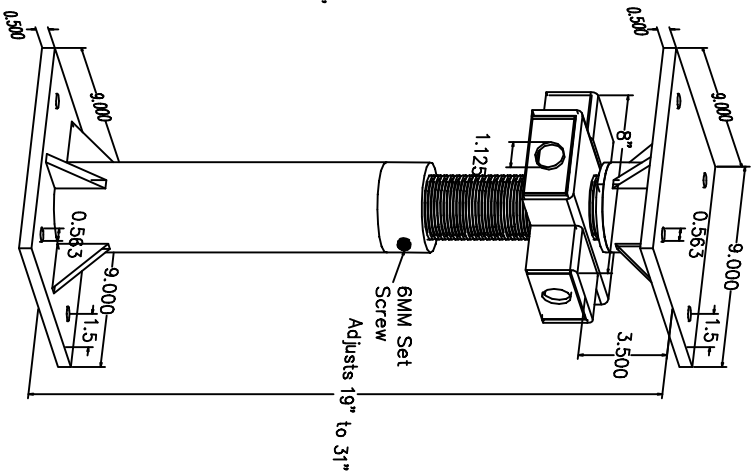
MANUFACTURING CO. INC.



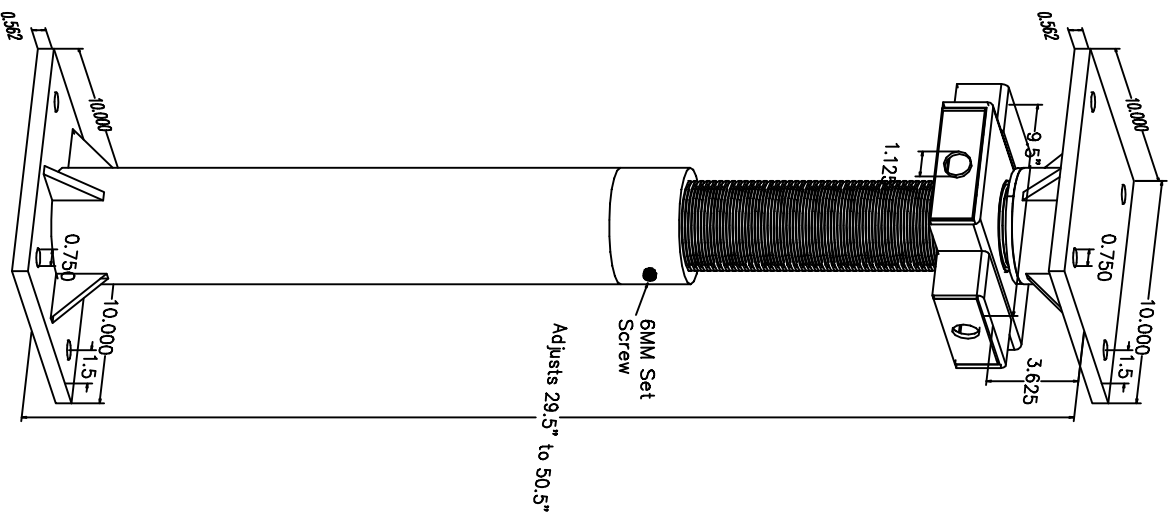
Bridge Jack 3" Adjustment (BJ-3)
 Min. Height 10"
 Max. Height 13"
 3" Adjustment
 2.50" Diameter Acme Screw
 80,000 lb. Safe Load Capacity
 Use with (BUJB-12, 24, 36, 60) 1"
 Dia. turning rod for added leverage.



Ellis Bridge Jack 6" Adjustment (BJ-6)
 Min. Height 13"
 Max. Height 19"
 6" Adjustment
 2.50" Diameter Acme Screw
 80,000 lb. Safe Load Capacity
 Use with (BUJB-12, 24, 36, 60) 1"
 Dia. turning rod for added leverage.



Bridge Jack 12" Adjustment (BJ-12)
 Min. Height 19"
 Max. Height 31"
 12" Adjustment
 2.50" Diameter Acme Screw
 80,000 lb. Load Safe Capacity
 Use with (BUJB-12, 24, 36, 60) 1"
 Dia. turning rod for added leverage.



Bridge Jack 21" Adjustment (BJ-21)
 Min. Height 29.5"
 Max. Height 50.5"
 12" Adjustment
 2.50" Diameter Acme Screw
 80,000 lb. Load Safe Capacity
 Use with (BUJB-12, 24, 36, 60) 1"
 Dia. turning rod for added leverage.