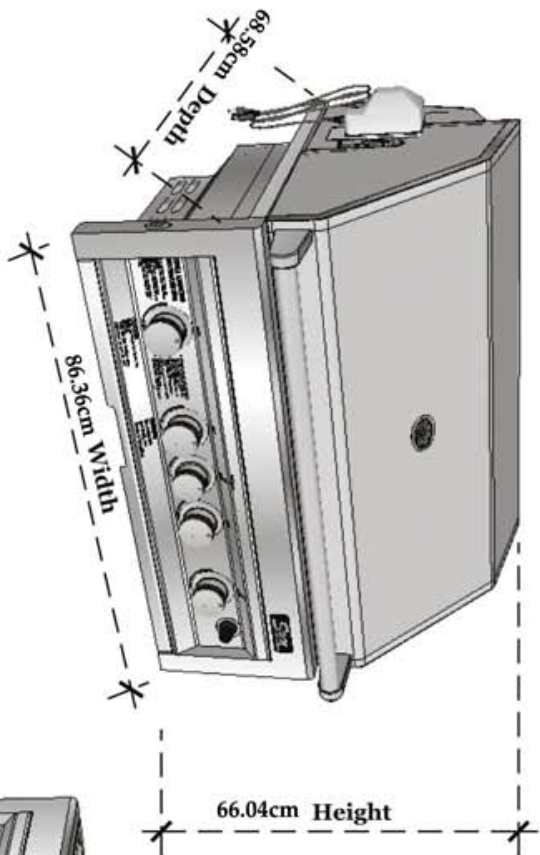
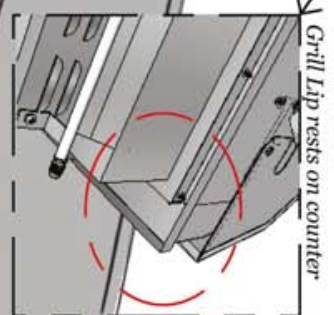
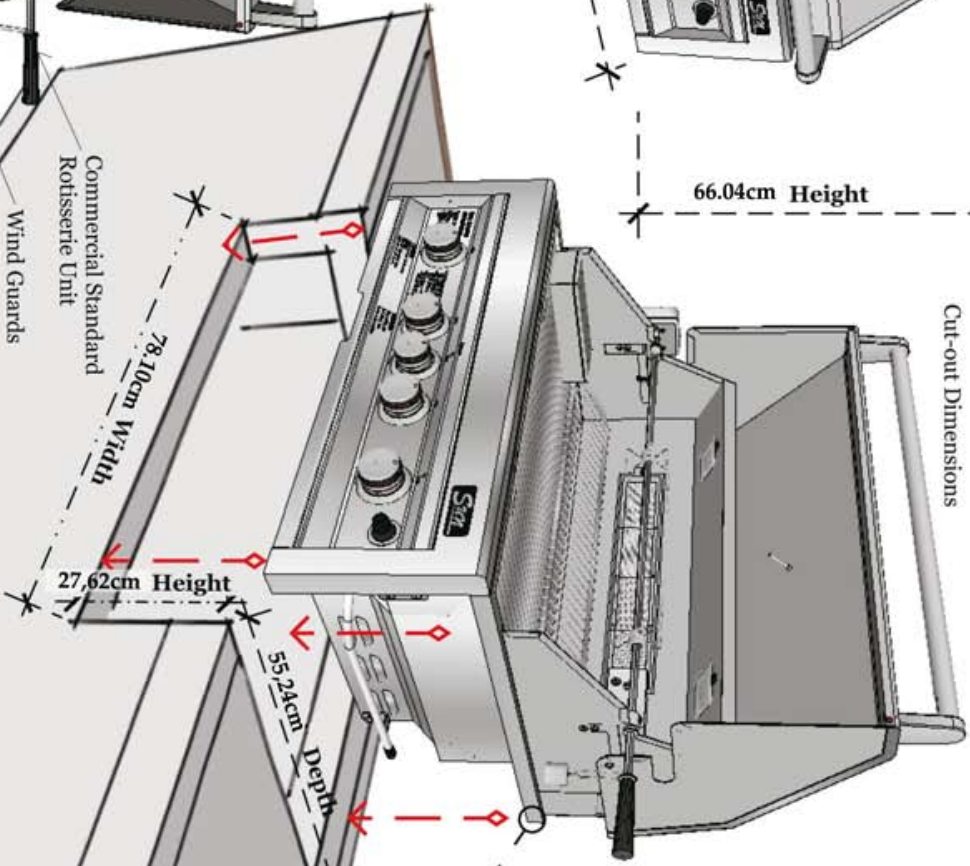


Product Dimensions



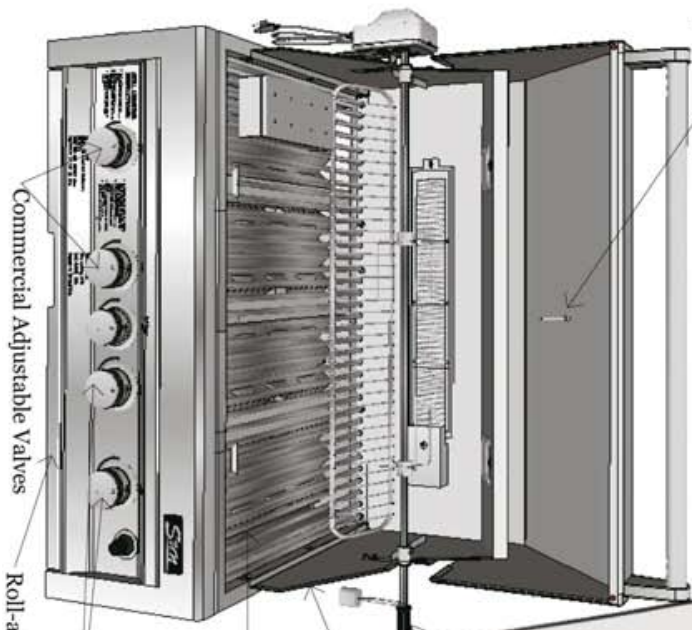
Cut-out Dimensions



DESCRIPTION
 INFRARED 4 BURNER
 W/LIGHTS 34"
 Ref.: SUN4B-IR

4 BURNER W/LIGHTS 34"
 Product Size (cm): 86.36 W x 68.58 D x 66.04 H
 Cut Out (cm): 78.10 W x 55.24 D x 27.66 H
 Weight (kg): 67.13
 Material Specifications:
 304 Stainless Steel for Entire Structure,
 16 Gauge for External Hood Layer,
 20 Gauge for Internal Hood Layer,
 11 Gauge Cast Stainless Steel Burner,
 18 Gauge for Firebox,
 18 Gauge for Front Face Panel,
 18 Gauge for Drip Tray, 20 Gauge
 for Flavor Systems.

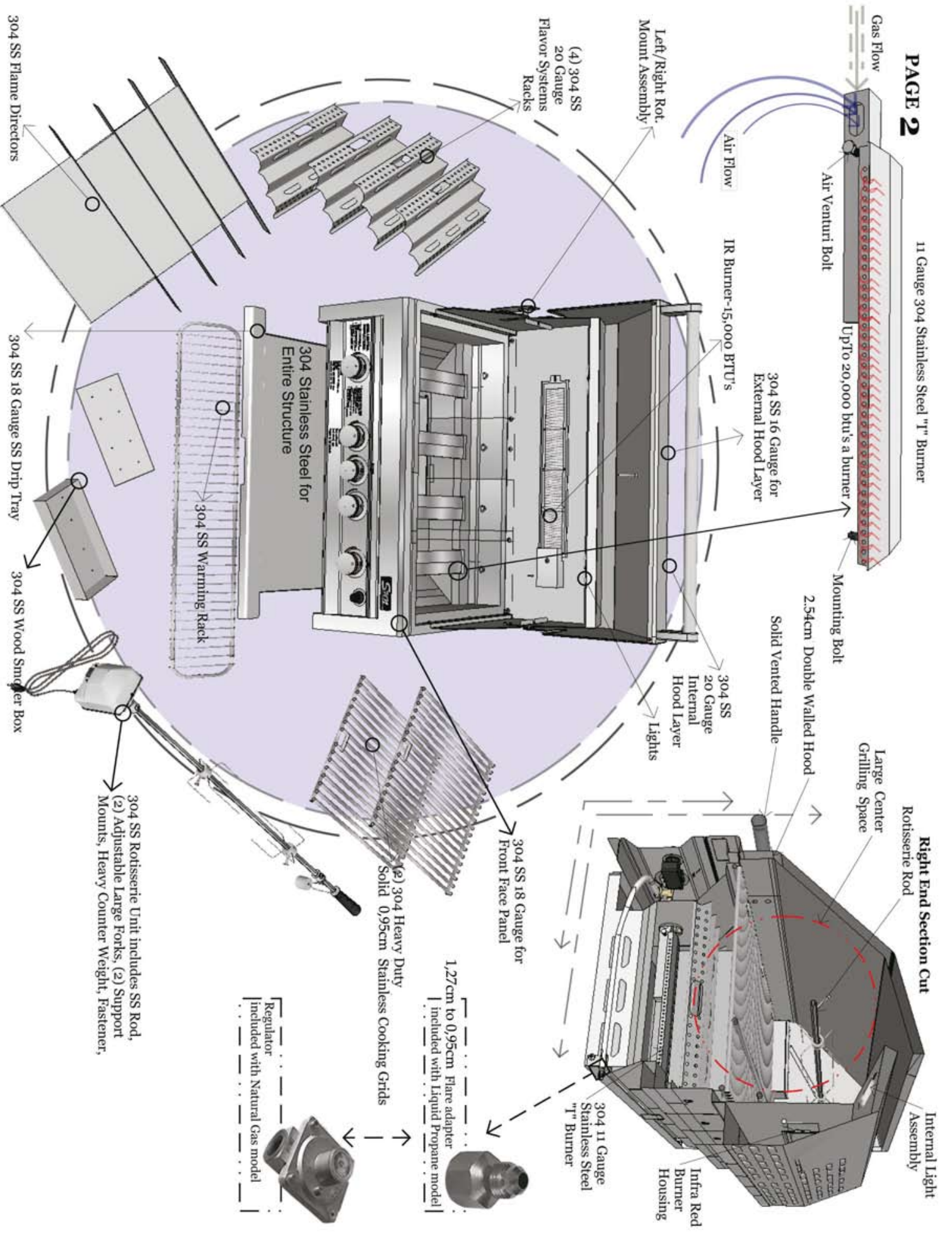
304 Stainless Steel Double
 Wall Hood & Back Hood
 Temperature Gauge



Commercial Standard
 Rotisserie Unit

Wind Guards

304 Heavy Duty 0.95cm
 Stainless Cooking Grids



11 Gauge 304 Stainless Steel "I" Burner

Gas Flow

Air Venturi Bolt

Air Flow

IR Burner-15,000 BTU's

304 SS 16 Gauge for External Hood Layer

Mounting Bolt

2.54cm Double Walled Hood

Solid Vented Handle

Left/Right Rot. Mount Assembly

(4) 304 SS 20 Gauge Flavor Systems Racks

304 Stainless Steel for Entire Structure

304 SS Warming Rack

304 SS 20 Gauge Internal Hood Layer

Lights

Right End Section Cut

Internal Light Assembly

Large Center Grilling Space

Rotisserie Rod

Infra Red Burner Housing

304 11 Gauge Stainless Steel "I" Burner

304 SS 18 Gauge for Front Face Panel

(2) 304 Heavy Duty Solid 0.95cm Stainless Cooking Grids

1.27cm to 0.95cm Flare adapter included with Liquid Propane model

Regulator included with Natural Gas model

304 SS Rotisserie Unit includes SS Rod, (2) Adjustable Large Forks, (2) Support Mounts, Heavy Counter Weight, Fastener,

304 SS Wood Smoker Box

304 SS 18 Gauge SS Drip Tray

304 SS Flame Directors