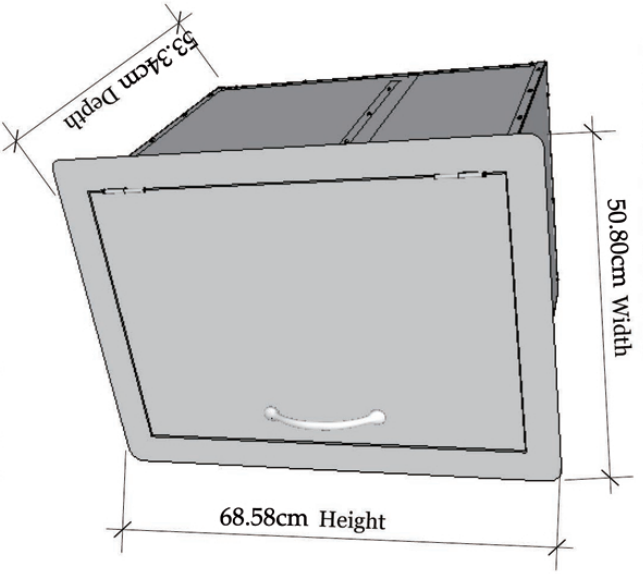
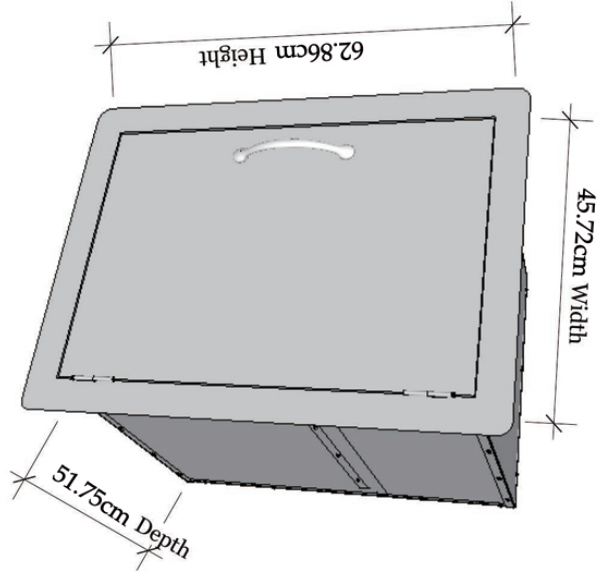


**Product Dimensions**



**Cut-Out Dimensions**



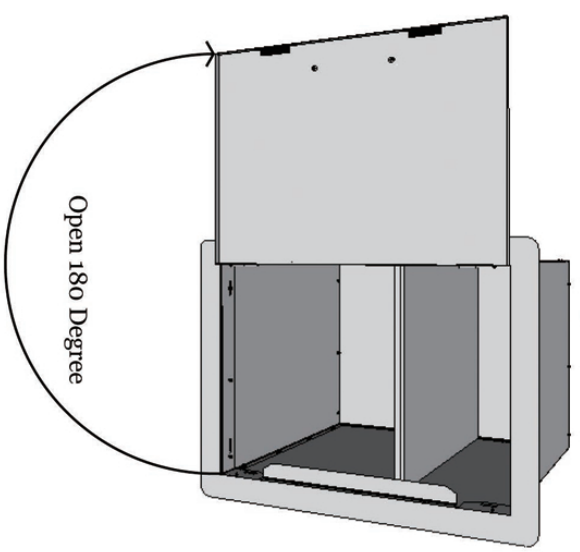
**PRODUCT**  
**VERTICAL DRY STORAGE**  
**PANTRY W/SHELF**  
 Item No. DSV2417

**DESCRIPTION**  
 304 stainless construction, flush mounted Polished Look. Cabinet is fully enclosed air tight.

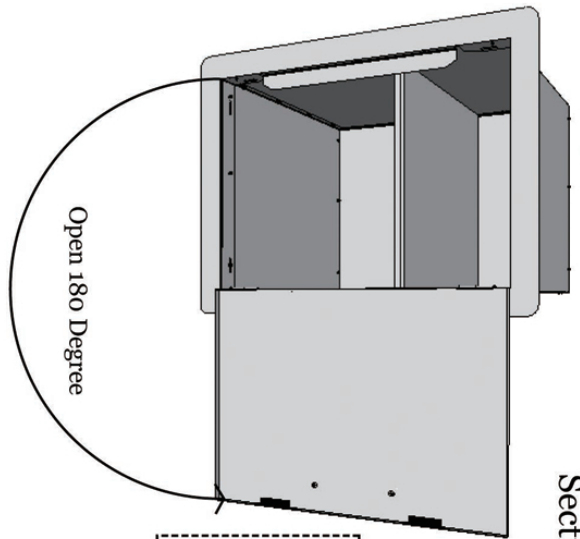
**Verticle Dry Storage Pantry**  
 Product Size (cm): 50,8 W x 53,3 D x 68,5 H  
 Weight (kg): 19,50

**Material Specifications:**  
 16 gauge 304 stainless steel for door  
 18 gauge galvanized steel for the box  
 Handles are made of zinc alloy, chrome plated.

**Open Left**



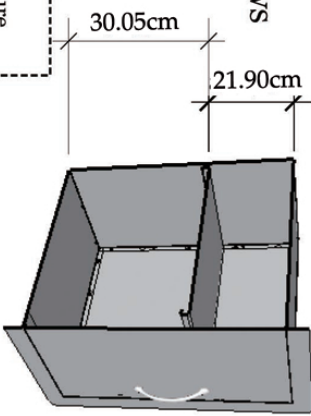
**Open Right**



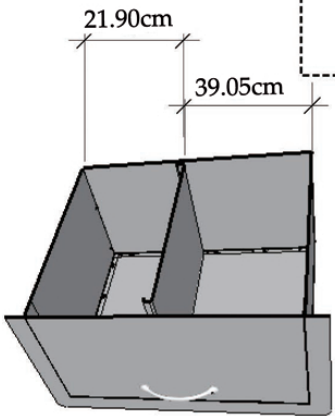
**Section Cut-Views**

With the Vertical Dry Storage enclosure you can set it up for LEFT or RIGHT positions and with the interior shelf on the UPPER or LOWER position.

**Shelf Position 1: UPPER**



**Shelf Position 2: LOWER**



**SOME ASSEMBLY REQUIRED**