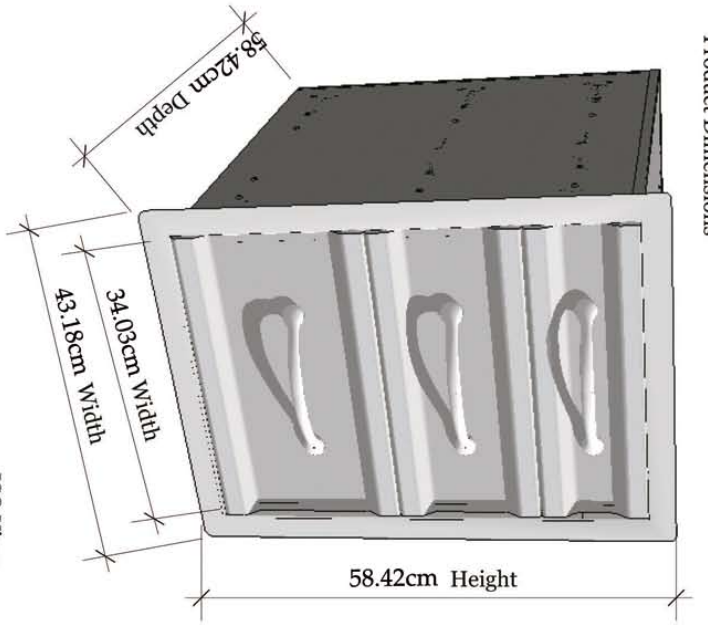
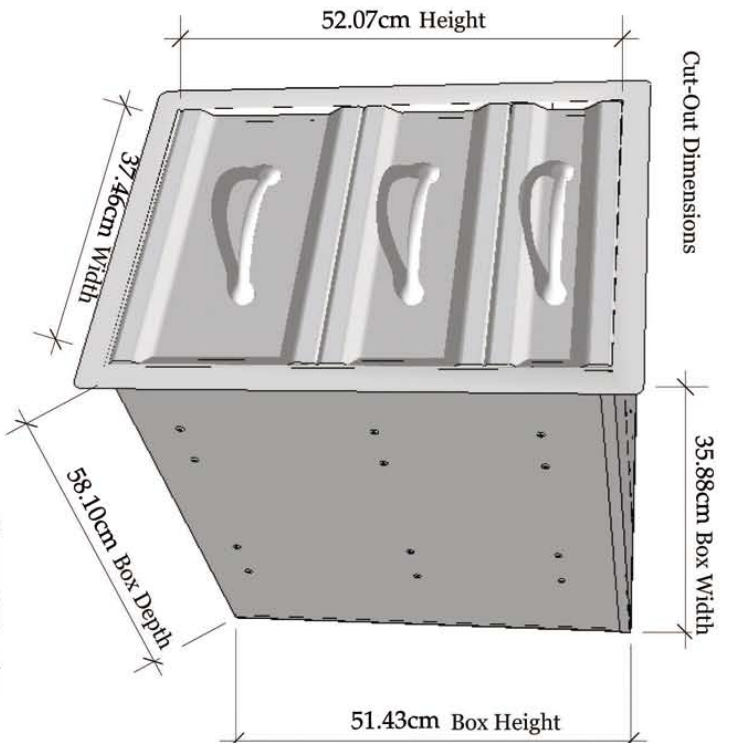


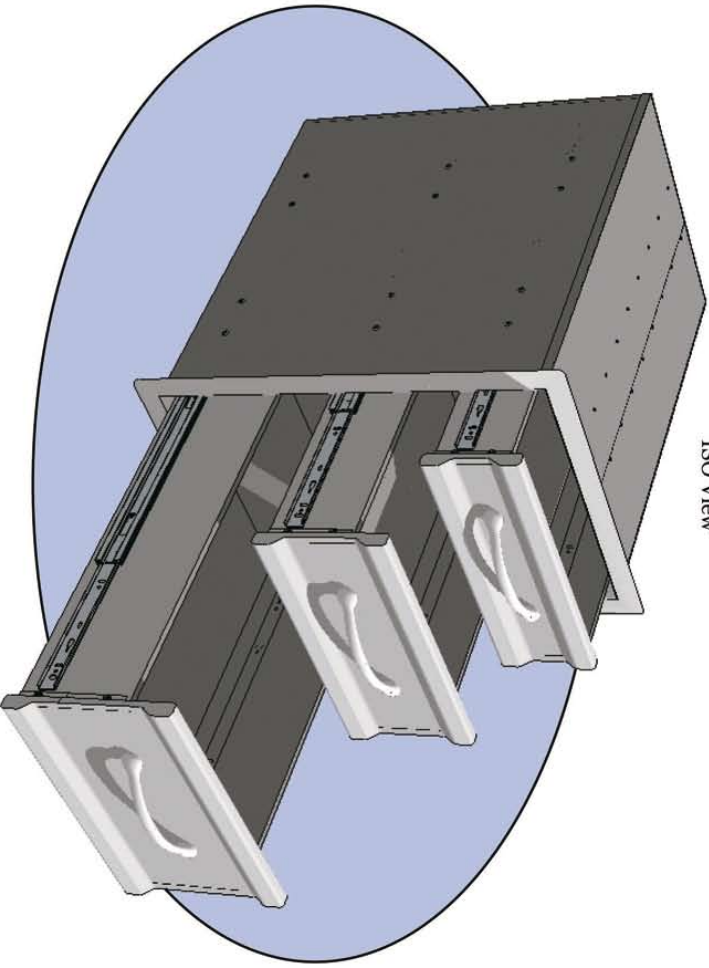
Product Dimensions



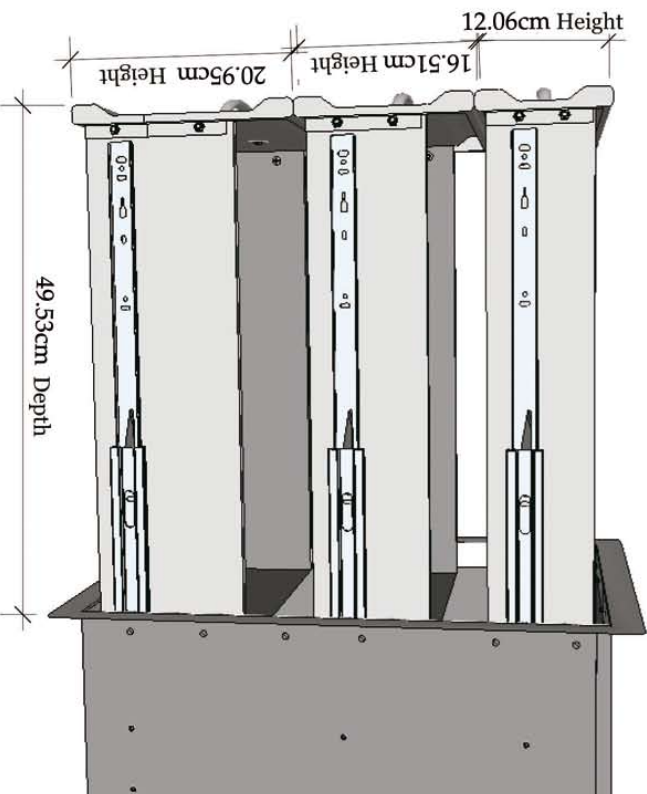
Cut-Out Dimensions



ISO View



Drawer Extension



**PRODUCT**  
PREMIUM TRIPLE ACCESS DRAWER  
Item No. C-TTD20

**DESCRIPTION**  
304 stainless construction, flush mounted Polished Look. Drawers are fully enclosed.

**Premium Triple Access Drawer**  
Product Size (cm): 43.1 W x 58.4 D x 58.4 H  
Cut Out (cm): 37.4 W x 58.1 D x 52 H  
Weight (kg): 26/76  
**Material Specifications:**  
304 stainless steel  
16 Gauge for Frame  
18 Gauge for Panel  
Handles are made of zinc alloy, chrome plated.