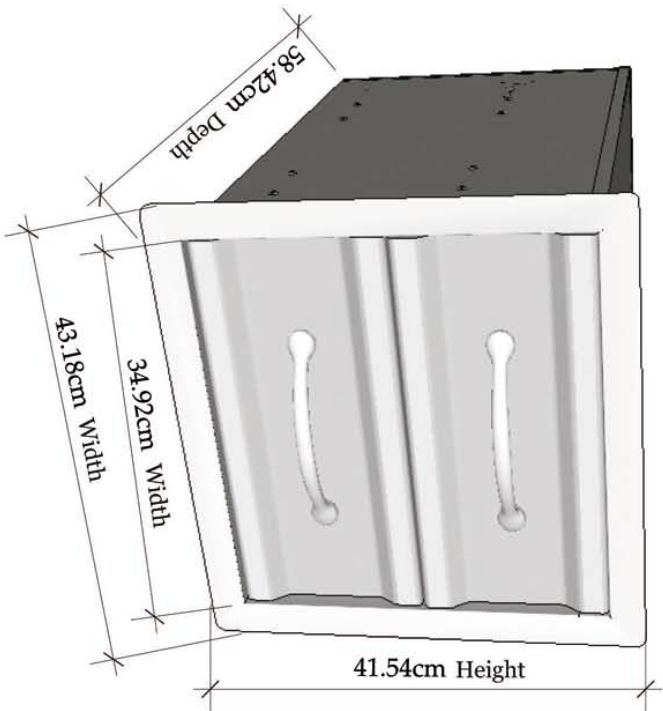
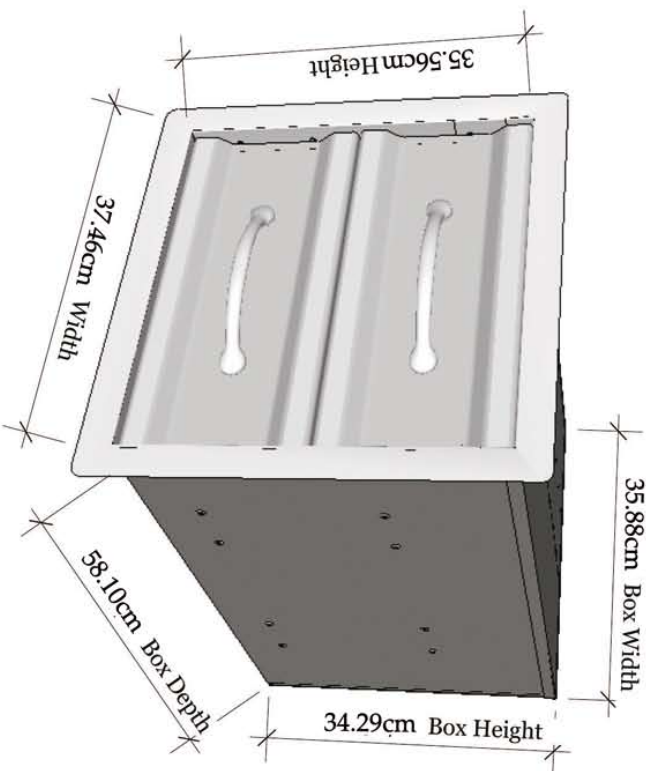


Product Dimensions



Cut-Out Dimensions



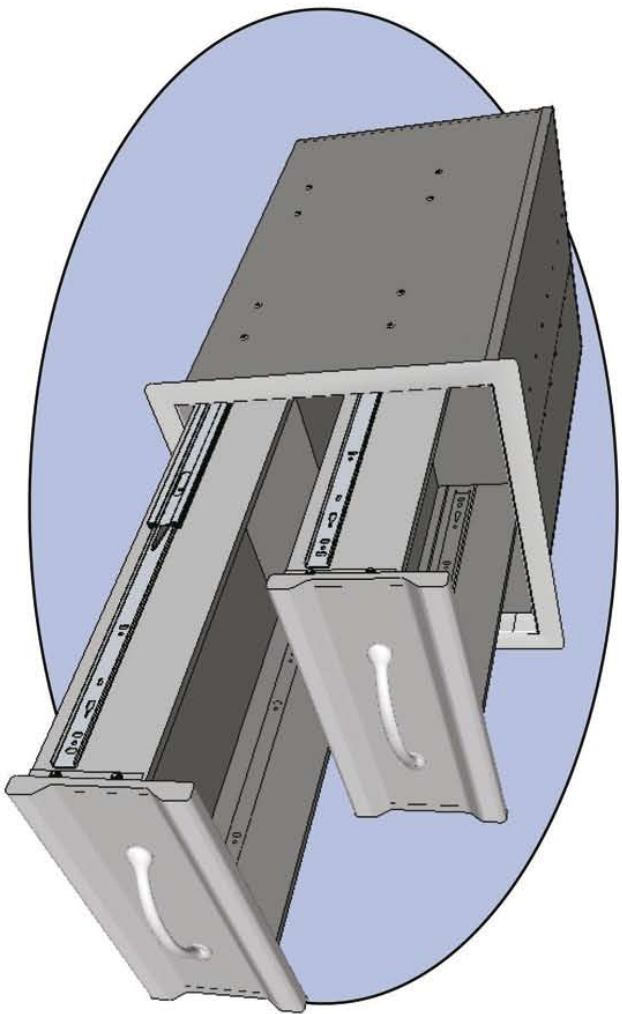
PRODUCT
PREMIUM DOUBLE ACCESS DRAWER
 Item No. C-DD14

DESCRIPTION
 304 stainless construction, flush mounted Polished Look. Drawers are fully enclosed.

Premium Double Access Drawer
 Product Size (cm): 43.1 W x 58.4 D x 41.5 H
 Cut Out (cm): 37.4 W x 58.1 D x 34.2 H
 Weight (kg): 19.05

Material Specifications:
 304 stainless steel
 16 Gauge for Frame
 18 Gauge for Panel
 18 Gauge galvanized Box
 Handles are made of zinc alloy, chrome plated.

ISO VIEW



Drawer Extension

