

Product Dimensions

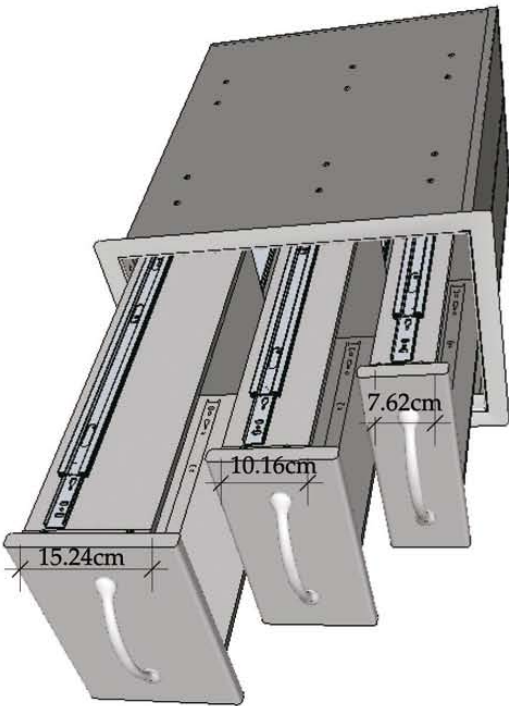
58.42cm Depth

51.43cm Height

35.56cm Width

3.17cm Flange

Drawer Body Height



Handles are made with Zinc Alloy, Chrome Plated

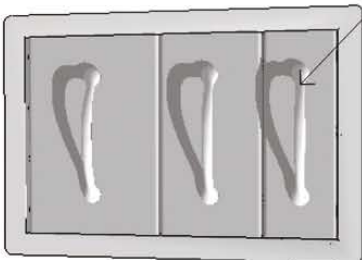
Cut-out Dimensions

58.10cm Depth

47.62cm Height

31.1cm Width

Front View



20.00cm

Drawer Heights

15.24cm

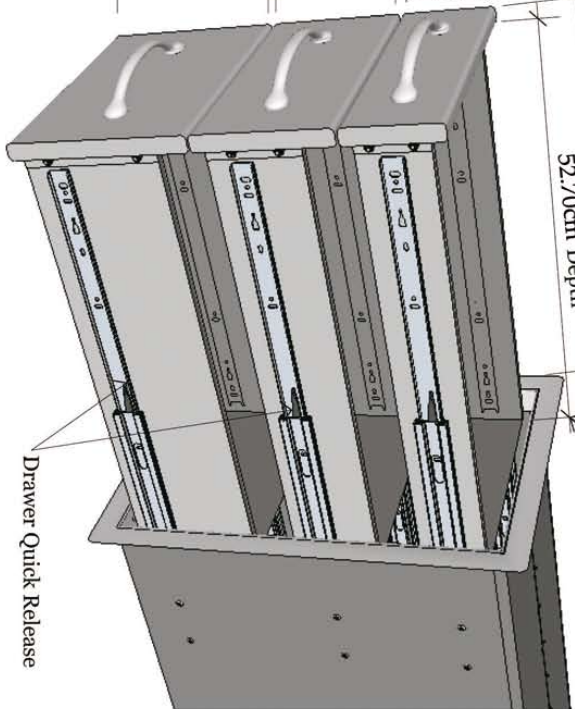
10.16cm

52.70cm Depth

50.16cm Depth

Drawer Extension

Drawer Body



PRODUCT
FLUSH TRIPPLE DRAWER
 Item No. B-TD18

DESCRIPTION
 FLUSH TRIPPLE DRAWER WITH SMALL, MEDIUM, AND LARGE DRAWERS

Product Size (cm): 35.5 W x 58.4 D x 51.4 H
 Cut Out (cm): 31.1 W x 58.1 D x 47.6 H
 Weight (kg): 24.04

Material Specifications:
 304 stainless steel Trash Drawer
 16 Gauge for Frame
 20 Gauge Drawer Cabinet
 18 Gauge Galvanized box
 Handles are made of zinc alloy, chrome plated.

