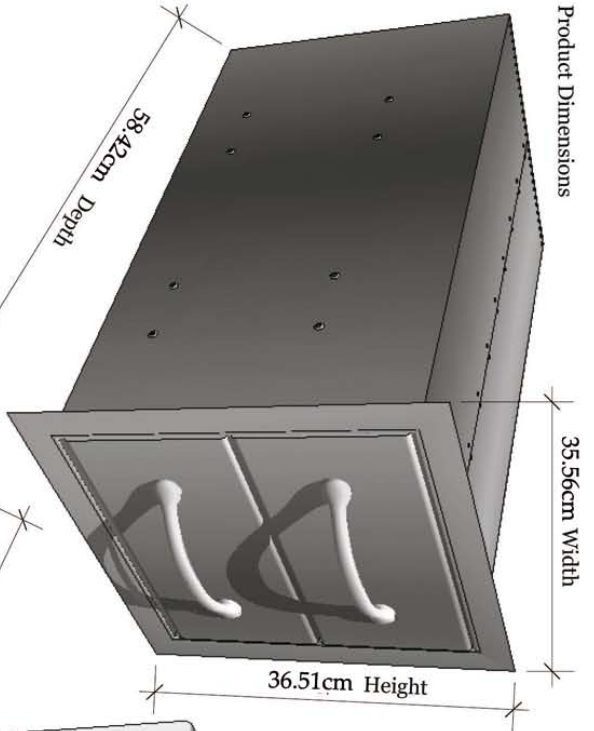
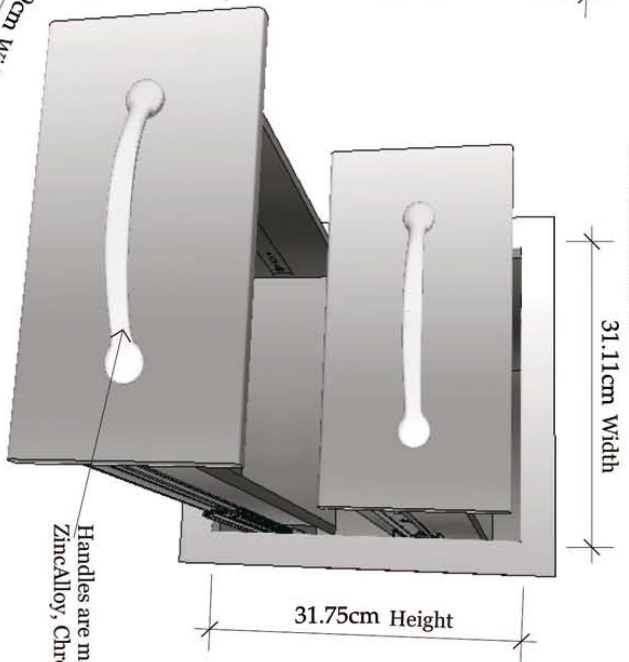


Product Dimensions



Cut-out Dimensions



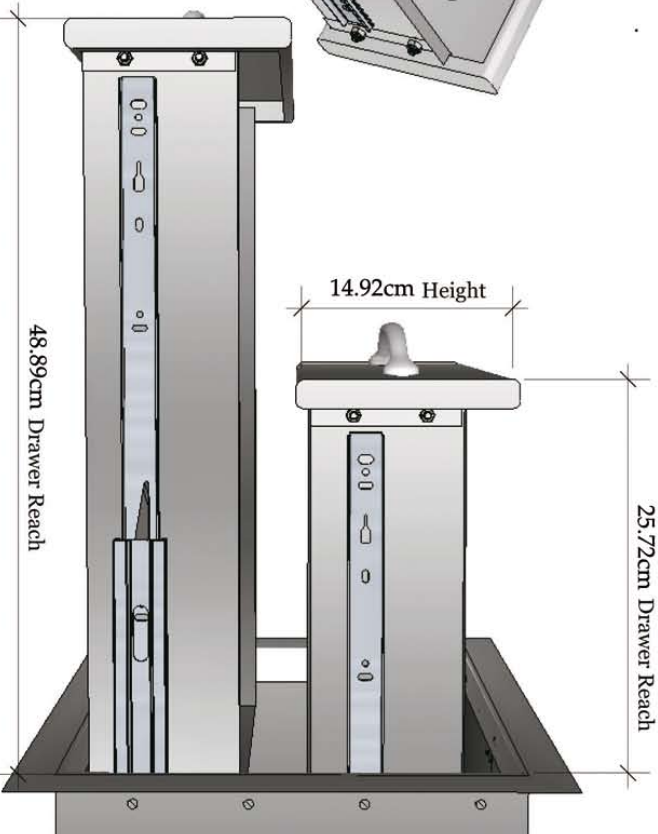
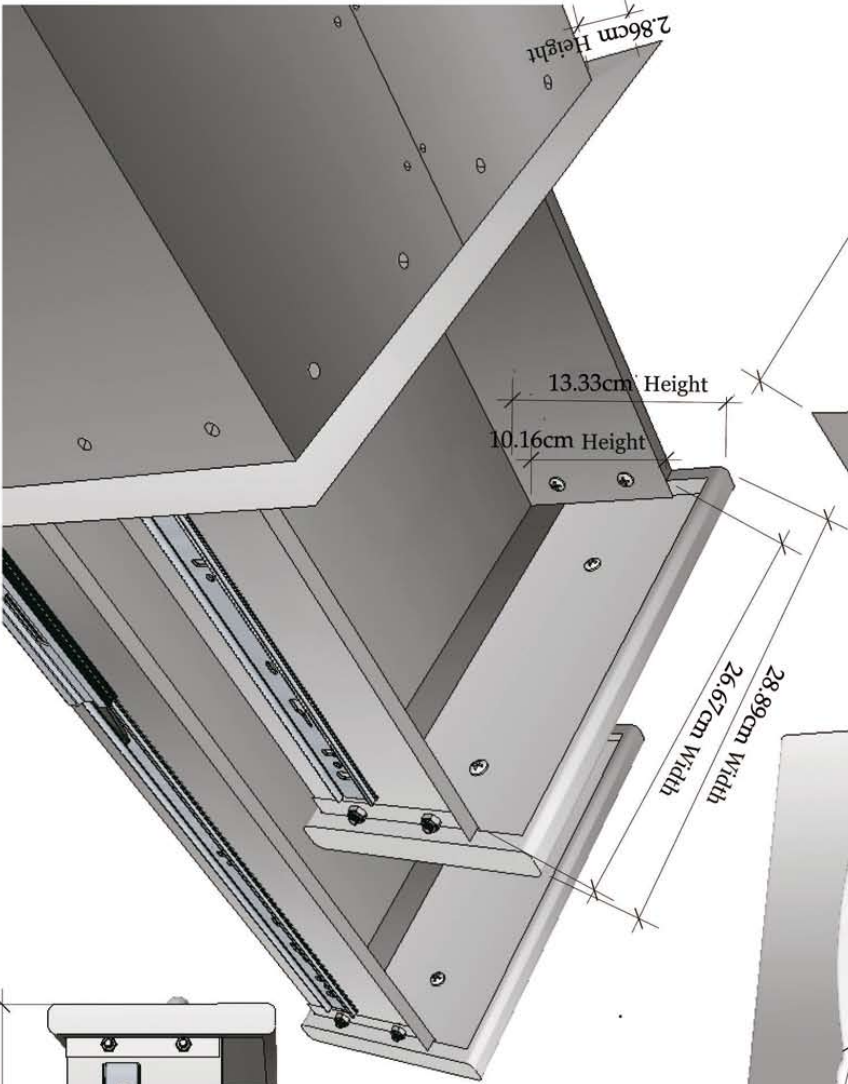
Handles are made of Zinc Alloy, Chrome Plated

PRODUCT
Flush Double Drawer
Item No. B-DD12

DESCRIPTION
Double Access
Drawer Flush Mount

Double Access Drawer Flush Mount
Product Size (cm): 58,5 W x 58,4 D x 36,5 H
Cut Out (cm): 31,1 W x 58,1 D x 31,7 H
Weight (kg): 16,78

Material Specifications:
304 Stainless Steel
16 Gauge for Frame
20 Gauge for Drawer Cabinet
18 Gauge Galvanized Sheet for the fully included outside box
Handles are made of Zinc Alloy, Chrome Plated.



25,72cm Drawer Reach

