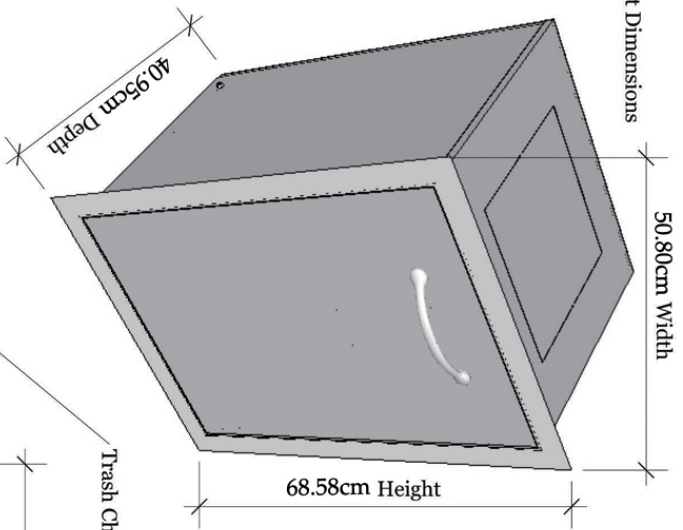
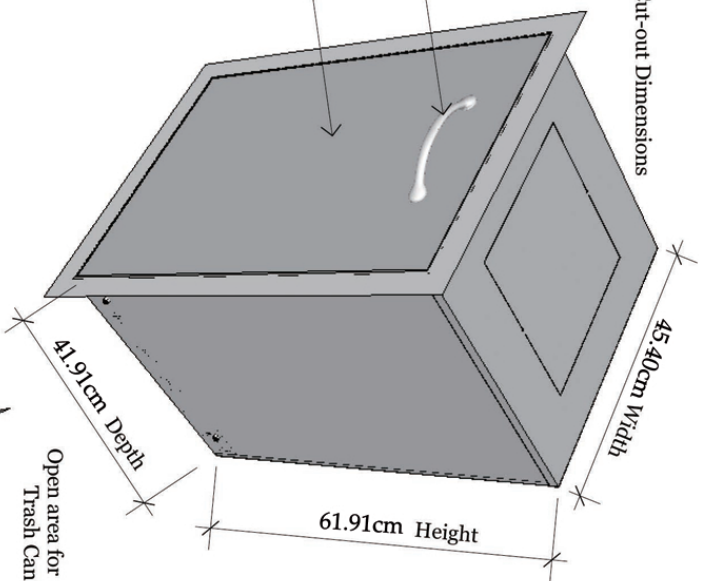


Product Dimensions

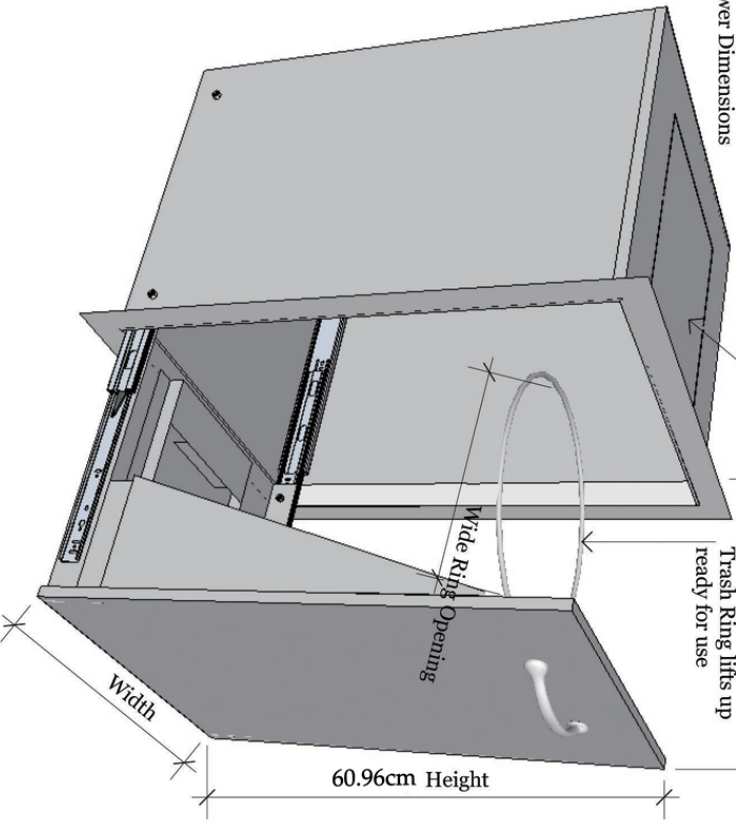


Cut-out Dimensions

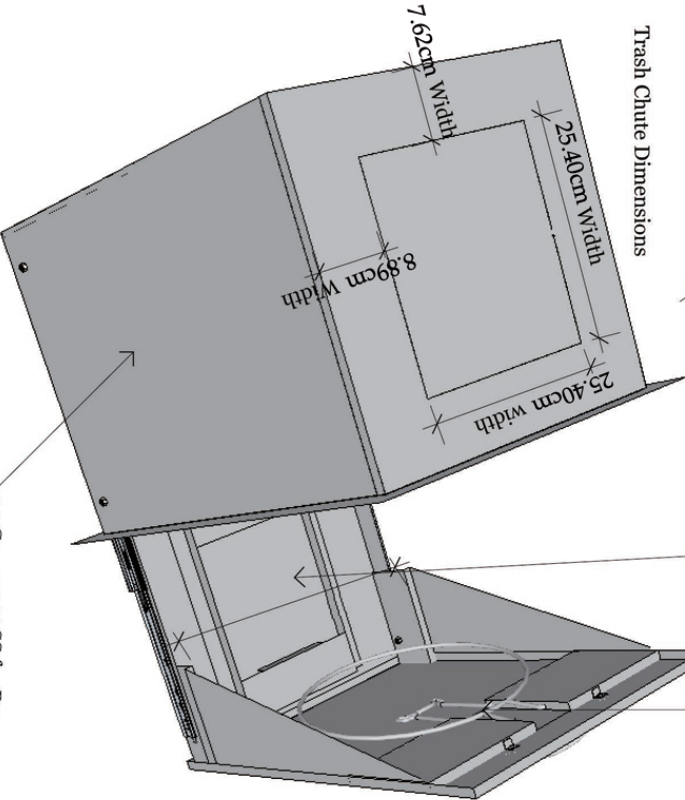


Handles are made of
Zinc Alloy, Chrome
Plated
16 Gauge 304 SS
for Door & Frame

Drawer Dimensions



Trash Chute Dimensions



20 Gauge 201 SS for Box

PRODUCT
Flush Trash Drawer
Item No. A-TRHD

DESCRIPTION
FLUSH TRASH DRAWER
W/ ADJUSTABLE BAG
RING & TRASH-CHUTE
TOP PUNCH-OUT

Trash Drawer with optional top Punch-out
Product Size (cm): 50.8 W x 40.9 D x 68.5 H
Weight (kg): 17.96

Material Specifications:
304 stainless steel Trash Drawer
16 gauge 304 SS for Frame and Panel.
20 gauge 201 SS for box.
Handles are made of zinc alloy,
chrome plated.