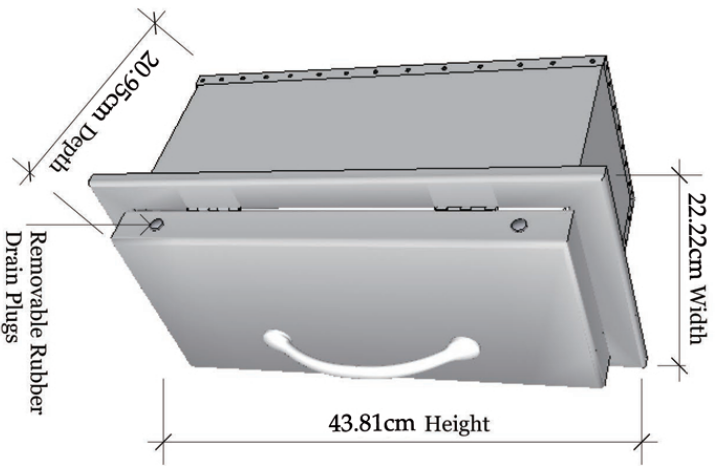
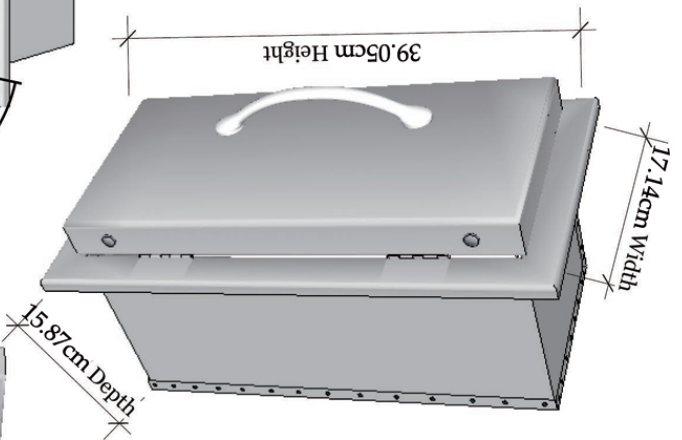


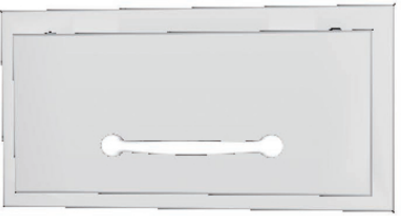
Product Dimensions



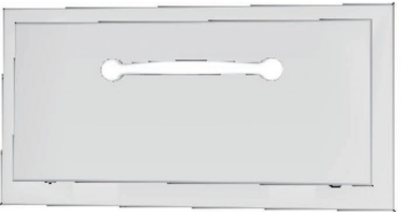
Cut-Out Dimensions



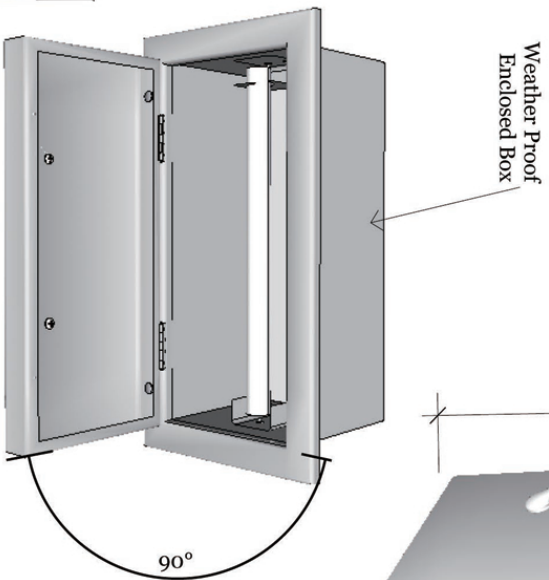
Position Style Views



Open Left

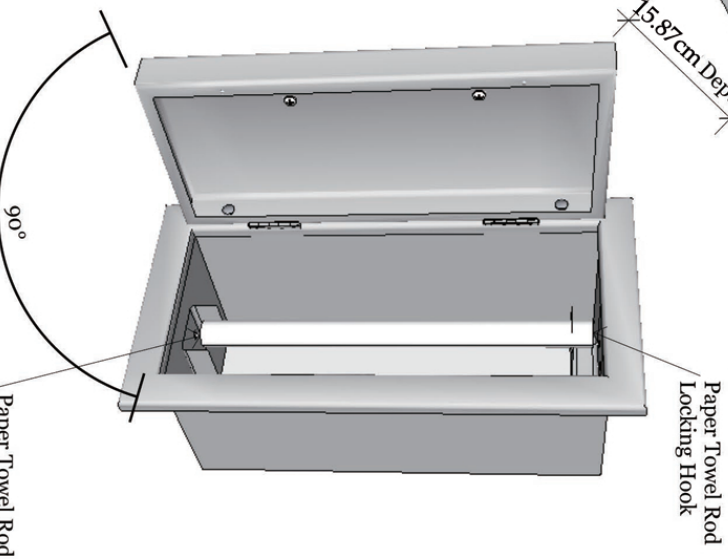


Open Right



Open Down

60°



Paper Towel Rod Locking Hook

Paper Towel Rod Pin & Bracket

PRODUCT
PAPER TOWEL HOLDER
Item No. A-TH

DESCRIPTION
304 stainless construction, premium look with matching brushed finish.

Paper Towel Dispenser
Product Size (cm): 43.8 W x 20.9 D x 22.2 H
Weight (kg): 4.52

Material Specifications:
304 Stainless Steel
16 Gauge for Frame
18 Gauge for Door
18 Gauge Galvanized Sheet for Box
Handles are made of zinc alloy, chrome plated.

Door Opens 90 Degrees