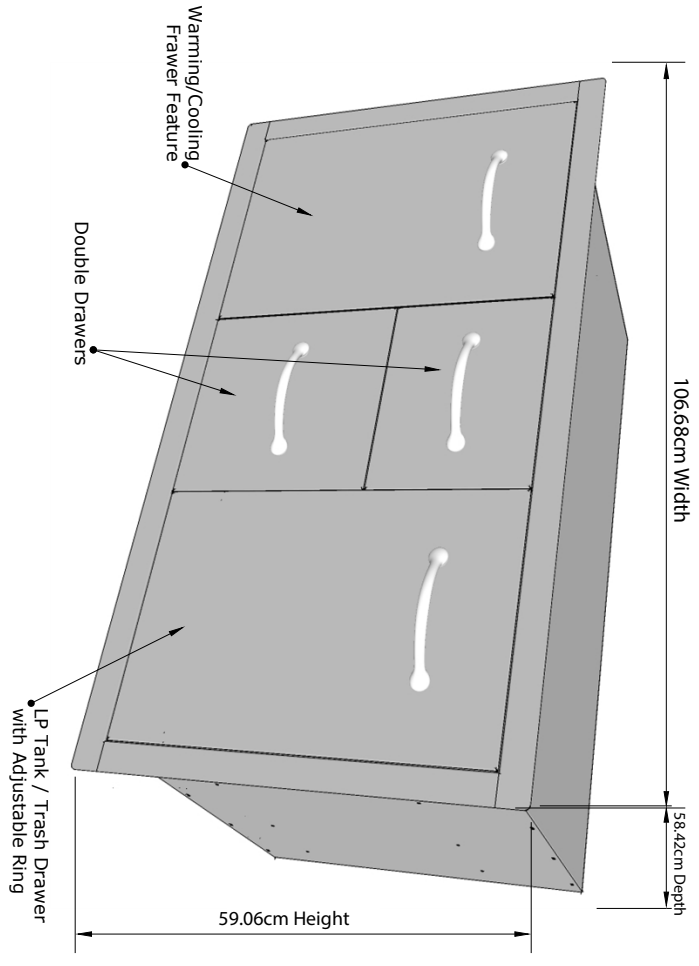
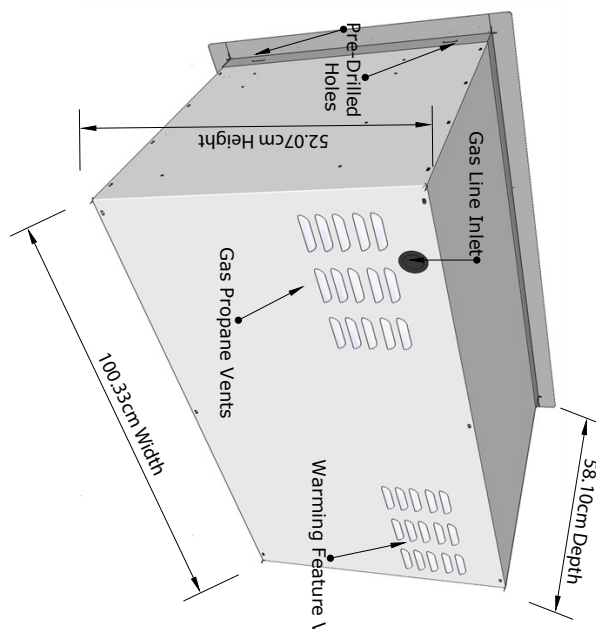




PRODUCT SPECIFICATIONS



CUT-OUT SPECIFICATIONS



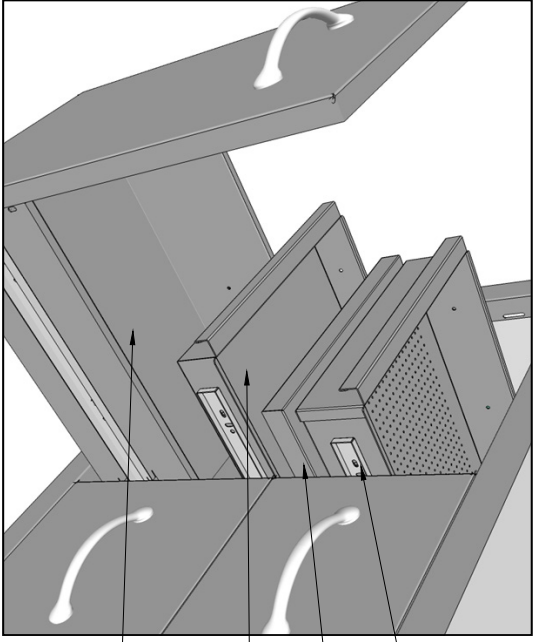
PRODUCT
42" Multi-Storage - Multi-Function
Item No. A-1LPCDD42

DESCRIPTION
304 Stainless Steel, Classic Series Flush Style Large under grill Multi-Purpose Storage Component

106.68W x 59.06H x 58.42D (Product Size)
100.01W x 52.07H (Cut-Out)
47.62Kg (Weight)

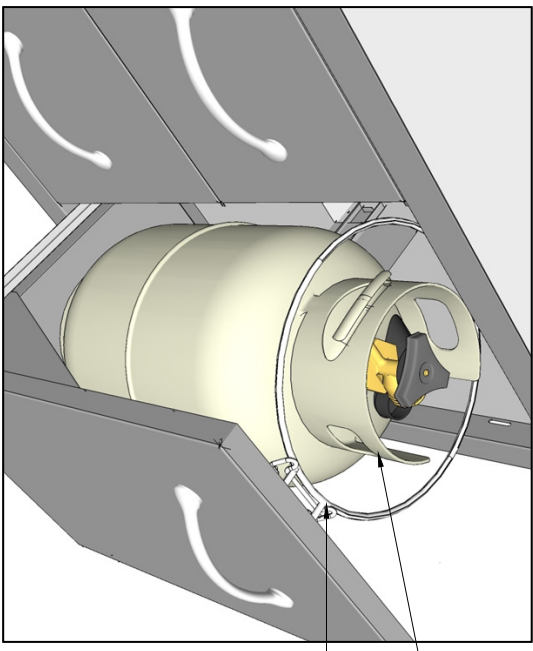
1/2 gauge 304 stainless steel door frame; 20 gauge 201 stainless steel cabinet; 20 gauge drawer; and 18 gauge 304 door panel

WARMING OR COOLING DRAWERS FEATURE



- Place Food Items here to be warmed, like Bread, or Prepared Meals waiting to be served
- Heat Shield is used to spread heat out more evenly
- Place Heating Source like Sterno Canisters here to create warmth in upper drawer
- Large Bottom Drawer for Storage or used as Ice Storage

LP-TANK OR TRASH STORAGE W/TRASH RING



- Add LP-Tank here, for Appliance has Port-Hole in Upper-Back for LP-Hose to Appliance
- Adjustable Trash Ring to easily fit trash bag over, fold down when not used