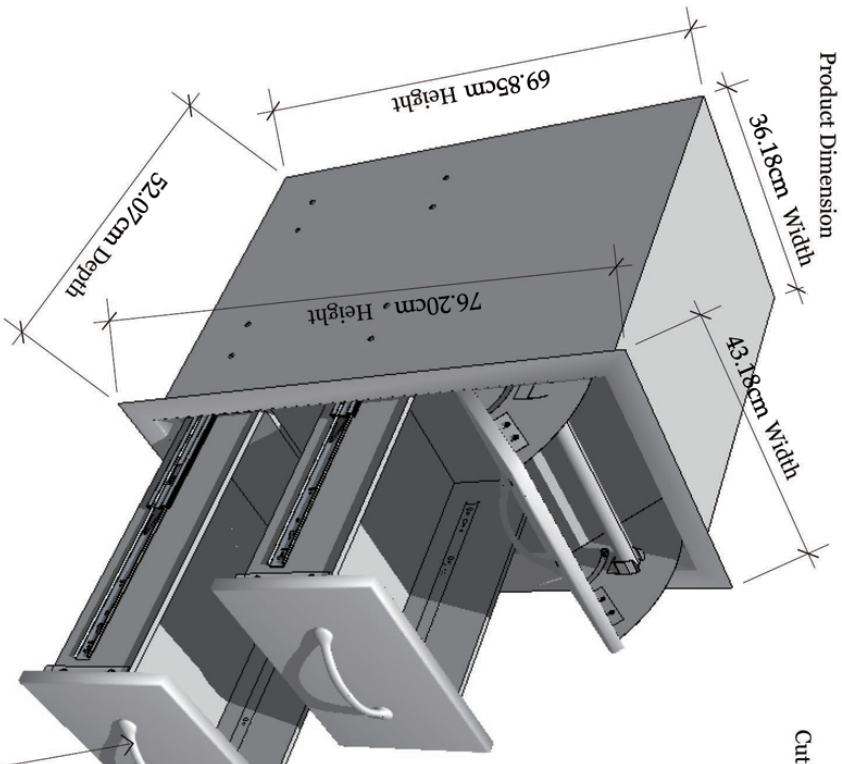
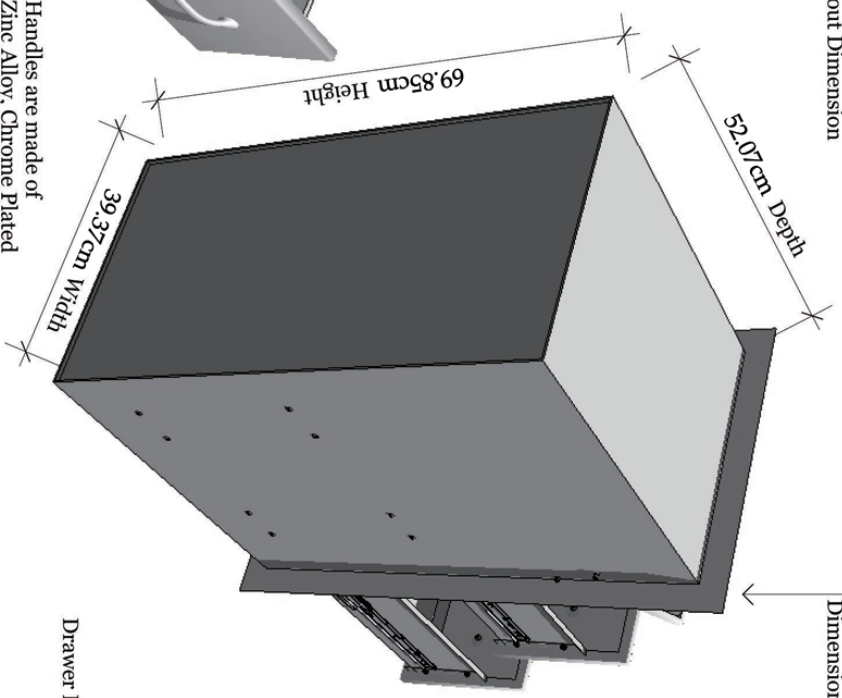




Product Dimension



Cut-out Dimension



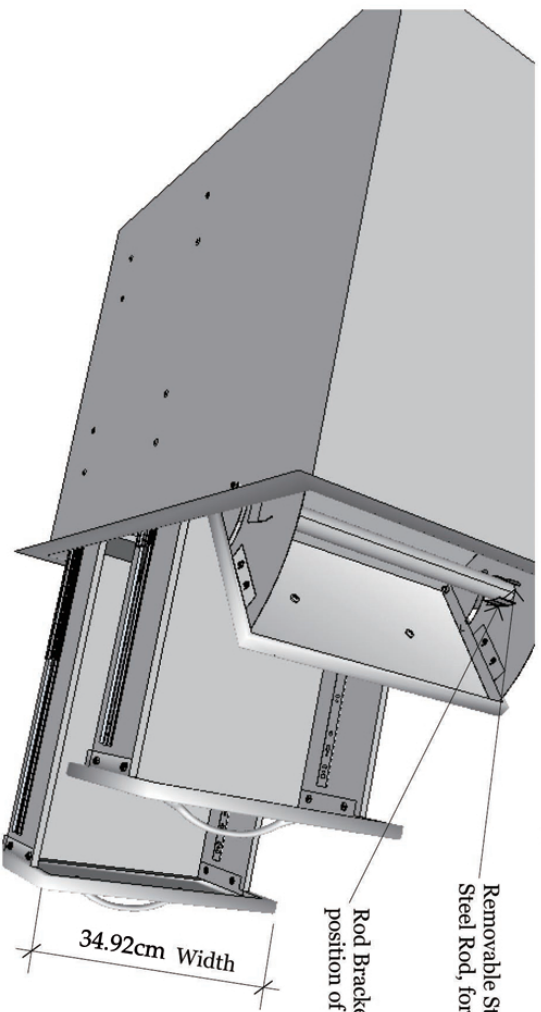
3.65cm Flange Dimension

PRODUCT
Item No. A-DPCF

Drawer & Paper Towel Holder Combo
Product Size (cm): 43.1 W x 52 D x 76.2 H
Weight (kg): 24

Material Specifications:
16 gauge 304 stainless steel for frame.
18 gauge 304 for panel and sector.
20 gauge 201 for cabinet.
18 gauge galvanized sheet for the box.
Handles are made of zinc alloy, chrome plated.

Drawer Specifications



Handles are made of Zinc Alloy, Chrome Plated

Removable Stainless Steel Rod, for Paper Towel

Rod Brackets to securing position of Paper Towel

Drawer Extension

Both Main Drawers extend to a Full range of 45,24cm

Opens to 22.86cm Wide

