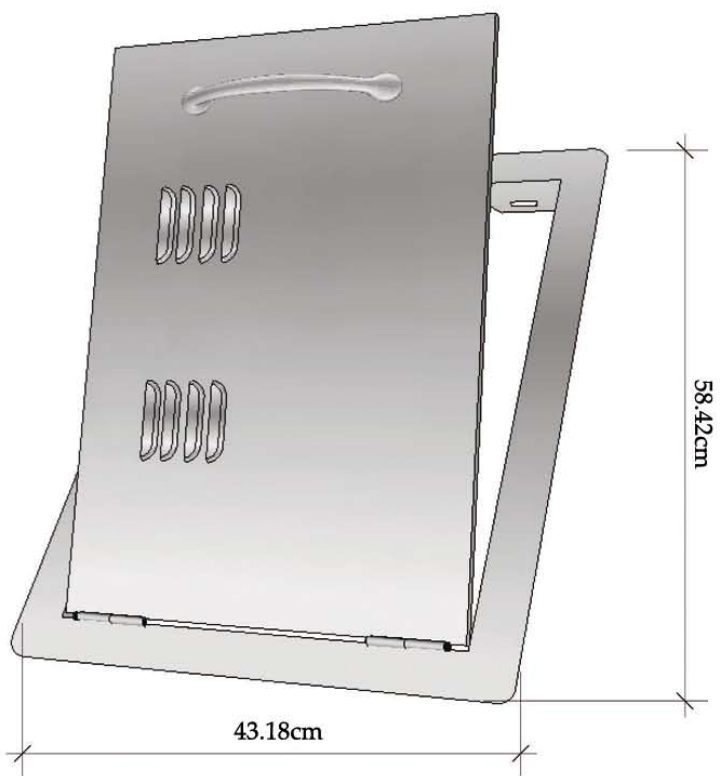
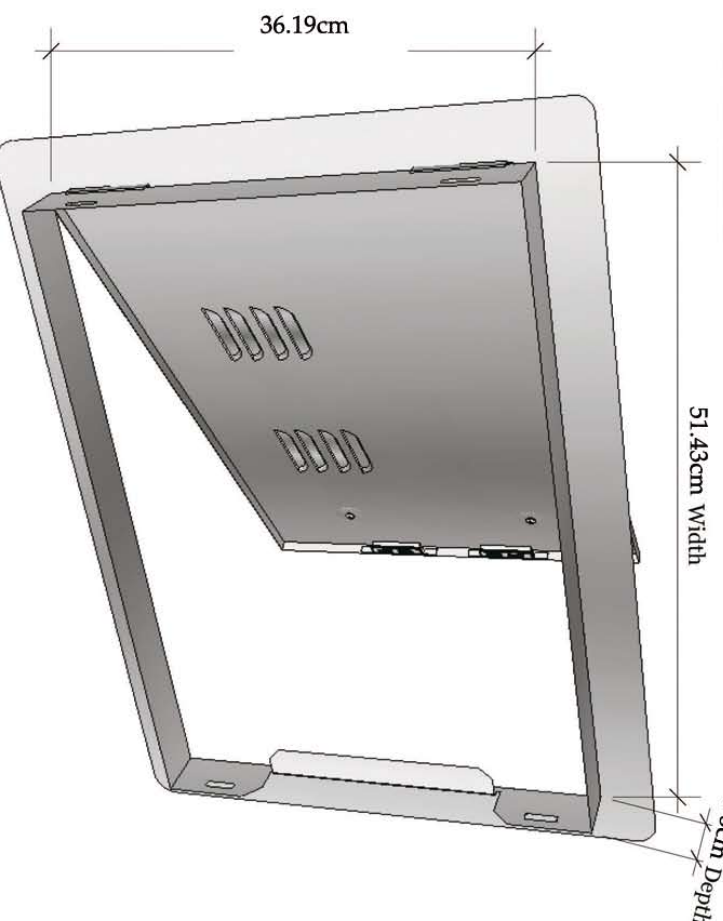


**Product Dimensions**



**Cut-out Dimensions**



**PRODUCT**  
Horizontal Door  
Item No. A-DH1420

**DESCRIPTION**  
Horizontal Single Door with Bottom Vents

**Horizontal Door**  
Product Size (cm): 58.4 W x 43.1 H  
Cut Out (cm): 51.4 W x 36.1 H  
Weight (kg): 4.99

**Material Specifications:**  
16 Gauge 304 Stainless Steel, Handles are made of Zinc Alloy, Chrome Plated.