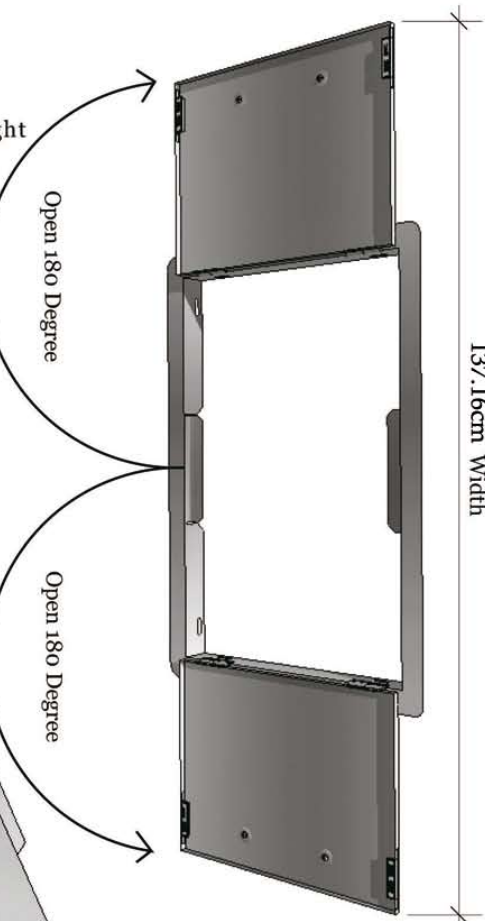


137.16cm Width

**PRODUCT**  
Double Door Flush Mount  
Item No. A-DD30



Open 180 Degree

Open 180 Degree

4.12cm Depth

**Double Door Flush Mount**  
Product Size (cm): 76.2 W x 53.6 H  
Cut Out (cm): 69.8 W x 46.3 H  
Weight (kg): 5.44  
**Material Specifications:**  
304 Stainless Steel  
16 Gauge for Frame  
18 Gauge for Door  
Handles are made of Zinc Alloy,  
Chrome Plated.

Reversible hinge  
to secure door firmly  
in place, and no moving  
parts, for long lasting

**Cut-out Dimensions**

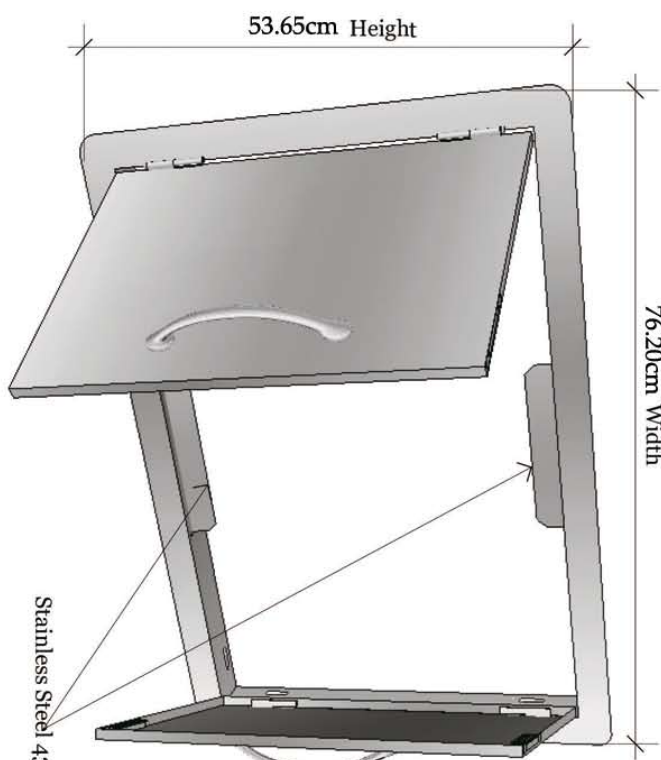


3.81cm Height

76.20cm Width

**Product Dimensions**

Holes for Securing  
doors on all four sides



53.65cm Height

Handles are made  
of Zinc Alloy,  
Chrome Plated  
for Long lasting  
Affect

Stainless Steel 430 Plate Cover secured, for door magnets

Top & Bottom  
Magnets to firmly  
Secure Door Closed

69.85cm Width

46.35cm Height

