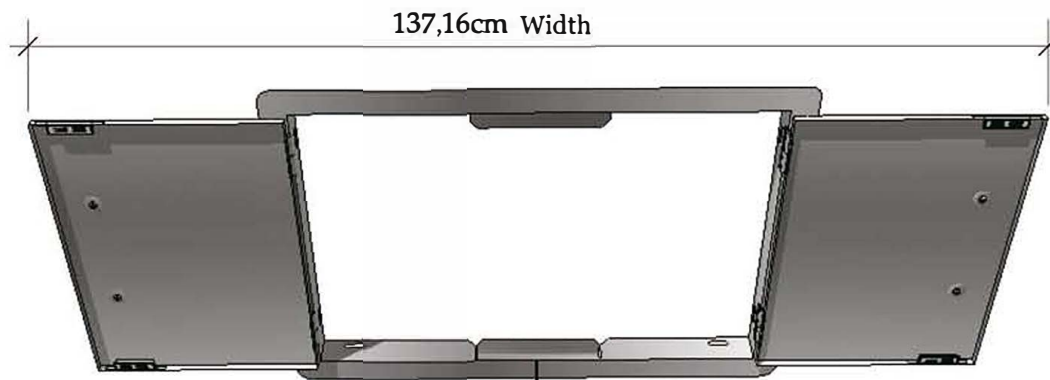


4.12cm Depth



137,16cm Width

Open 180 Degree

Open 180 Degree

PRODUCT
Double Door Flush Mount
Item No. A-DD30

Double Door FLush Mount
Product Size (cm): 76,2 W x 53,6 H
Cut Out (cm): 69,8 W x 46,3 H
Weight (kg): 5,44
Material Specifications:
304 Stainless Steel
16 Gauge for Frame
18 Gauge for Door
Handles are made of Zinc Alloy,
Chrome Plated.

Holes for Securing doors on all four sides

3.81cm Height

Reversible hinge to secure door firmly in place, and no moving parts, for long lasting

Product Dimensions

Cut-out Dimensions

76.20cm Width

69.85cm Width

53.65cm Height

Handles are made of Zinc Alloy, Chrome Plated for Long lasting Affect

Top & Bottom Magnets to firmly Secure Door Closed

46.35cm Height

Stainless Steel 430 Plate Cover secured, for door magnets