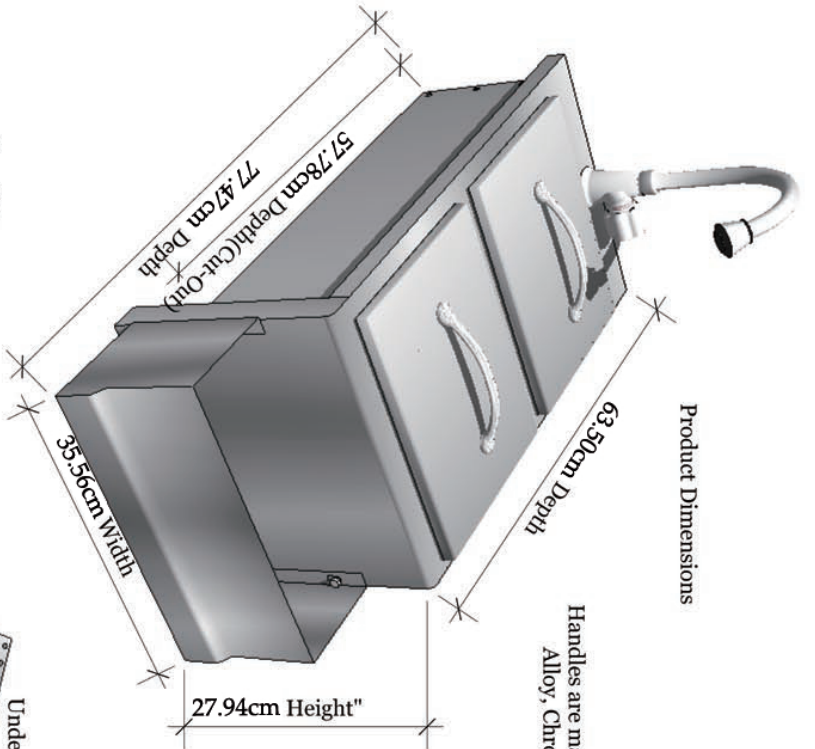
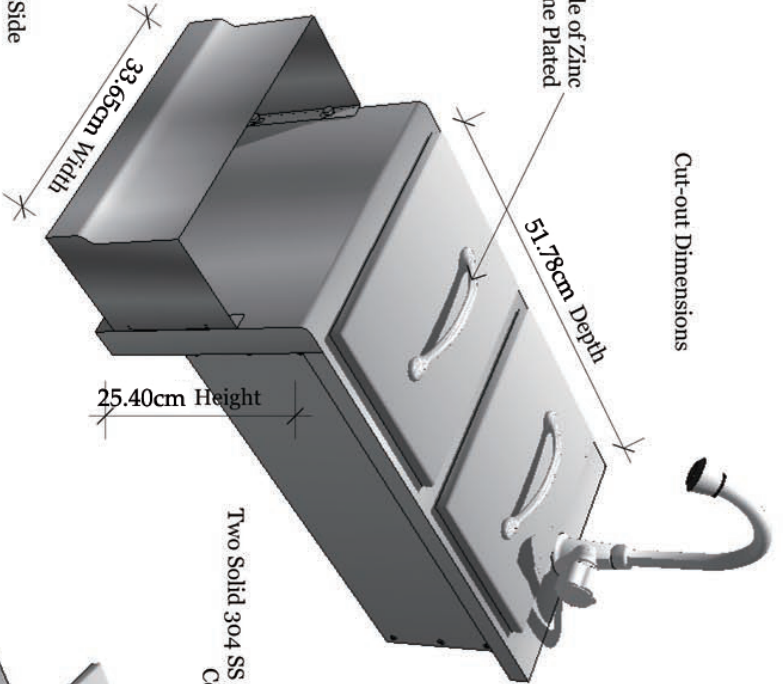


Product Dimensions



Cut-out Dimensions



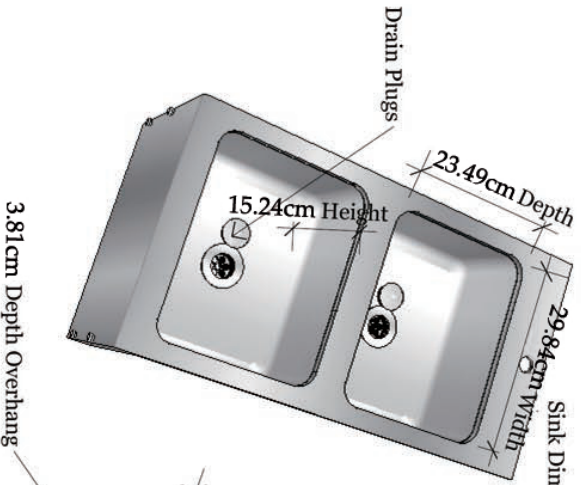
PRODUCT
Cocktail Station
Item No. A-CS14

DESCRIPTION
COCKTAIL STATION WITH
DOUBLE SINKS, SINK COVERS
AND REMOVABLE BASKET

Product Size (cm): 35.5 W x 77.4 D x 27.9 H
Weight (kg): 12.05

Material Specifications:
304 stainless steel construction
18 gauge 304 SS for Frame and Body,
20 gauge 304 SS for Hoods.
Handles are made of zinc alloy,
chrome plated.

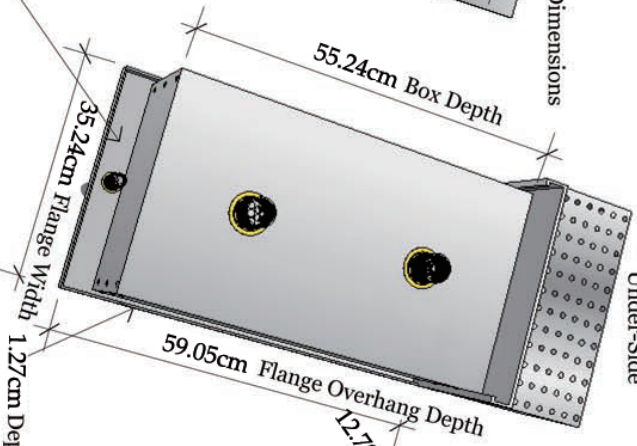
Top-Side



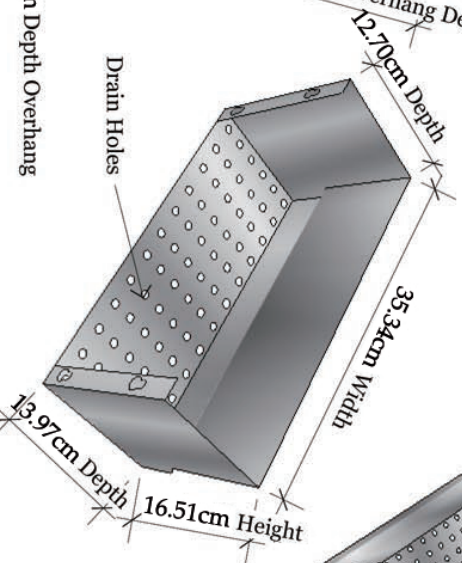
Sink Dimensions

3.81cm Depth Overhang

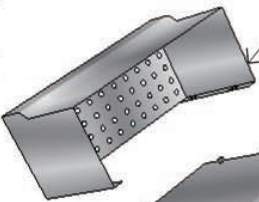
Under-Side



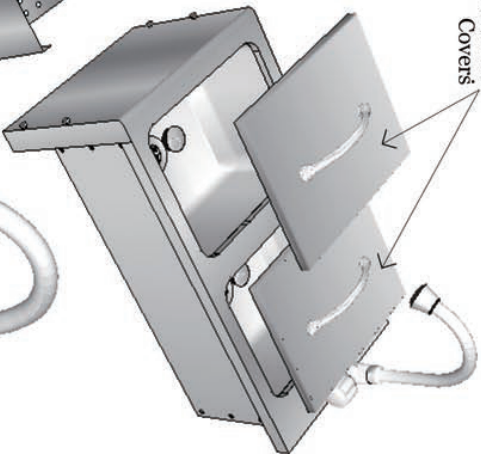
Cocktail Basket Dimensions



Removable Cocktail Shelf



Two Solid 304 SS Sink Covers



Cold or Hot Faucet
Included with Sink

