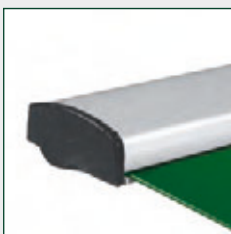
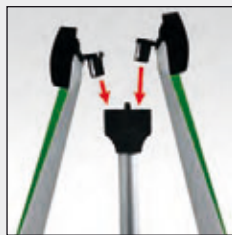
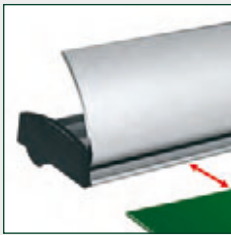
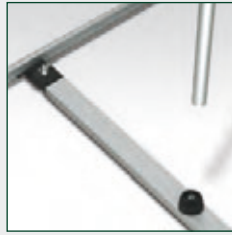


Quick Banner Stand Double Sided

Snap profile



Product comes unassembled and packed in a plastic bag.



Carrier bag available

Cable Systems • Snap Frames • A-Boards • Banner Stands
Wall Mount Fittings • Acrylic Displays & Dispensers Etc.

Premier Point of Sale Ltd

Premier House, Unit 8D
Newby Road Industrial Estate
Newby Road
Hazel Grove
Stockport
SK7 5DA

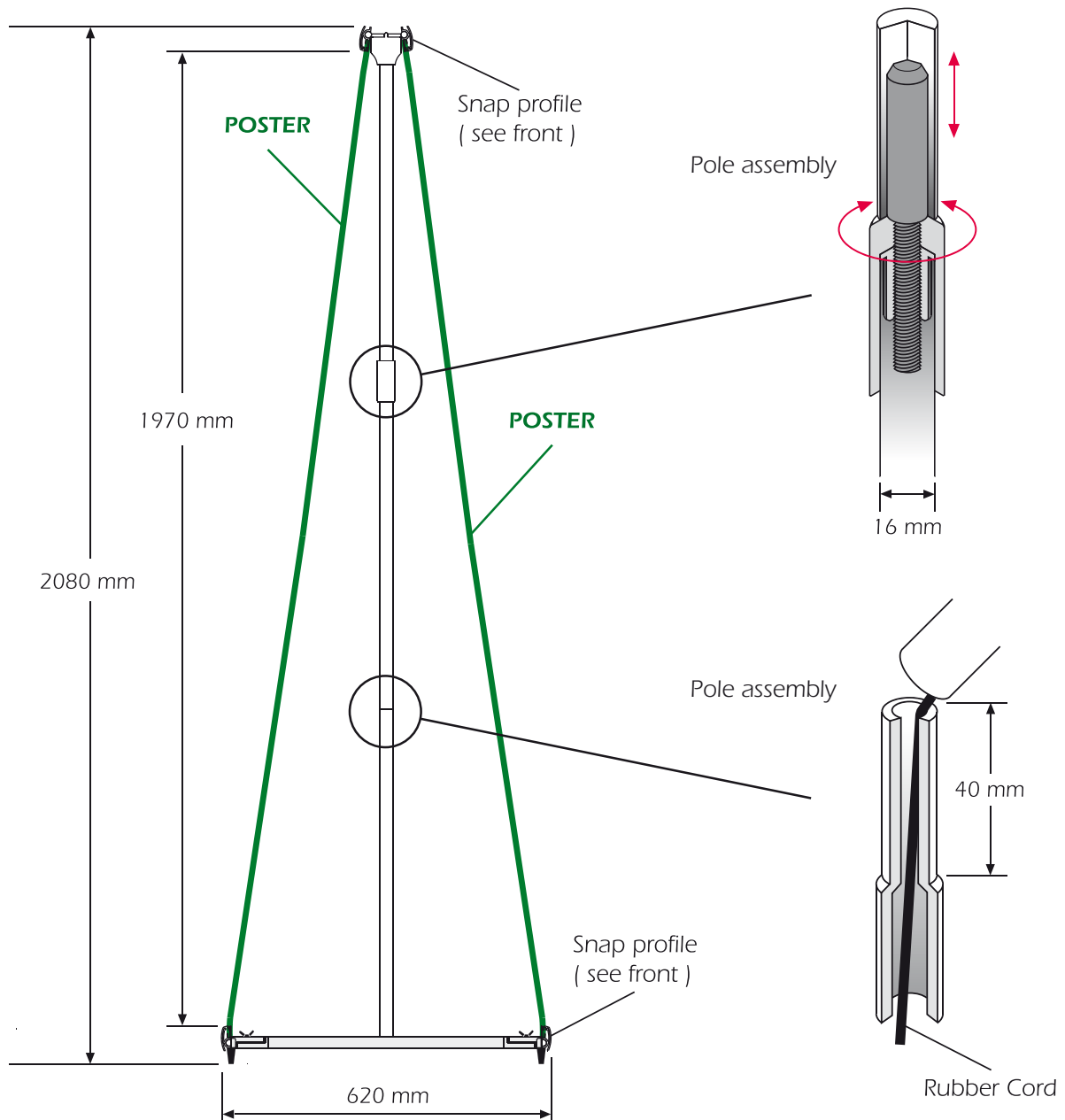
Member of



Tel. 0161 487 3131
Fax. 0161 487 2121
sales@4premier.co.uk
www.4premier.co.uk



Double Sided Quick Banner Stand



Product Code	Packaged Weight	External Size	Poster Size	Visible Size	Price
OBD-1	2.08 kg	806 x 2030 mm	800 x 2000 mm	800 x 1970 mm	
OBD-2	2.44 kg	1006 x 2030 mm	1000 x 2000 mm	1000 x 1970 mm	

All sizes are given in Portrait.



MOST DEBIT & CREDIT CARDS ACCEPTED

Prices are exclusive of VAT. All Items are sold at our standard terms and conditions which are available on request. E&OE. Prices do not include delivery.

Cable Systems • Snap Frames • A-Boards • Banner Stands
Wall Mount Fittings • Acrylic Displays & Dispensers Etc.

Premier Point of Sale Ltd

Premier House, Unit 8D
Newby Road Industrial Estate
Newby Road
Hazel Grove
Stockport
SK7 5DA

Member of



Tel. 0161 487 3131
Fax. 0161 487 2121
sales@4premier.co.uk
www.4premier.co.uk

