

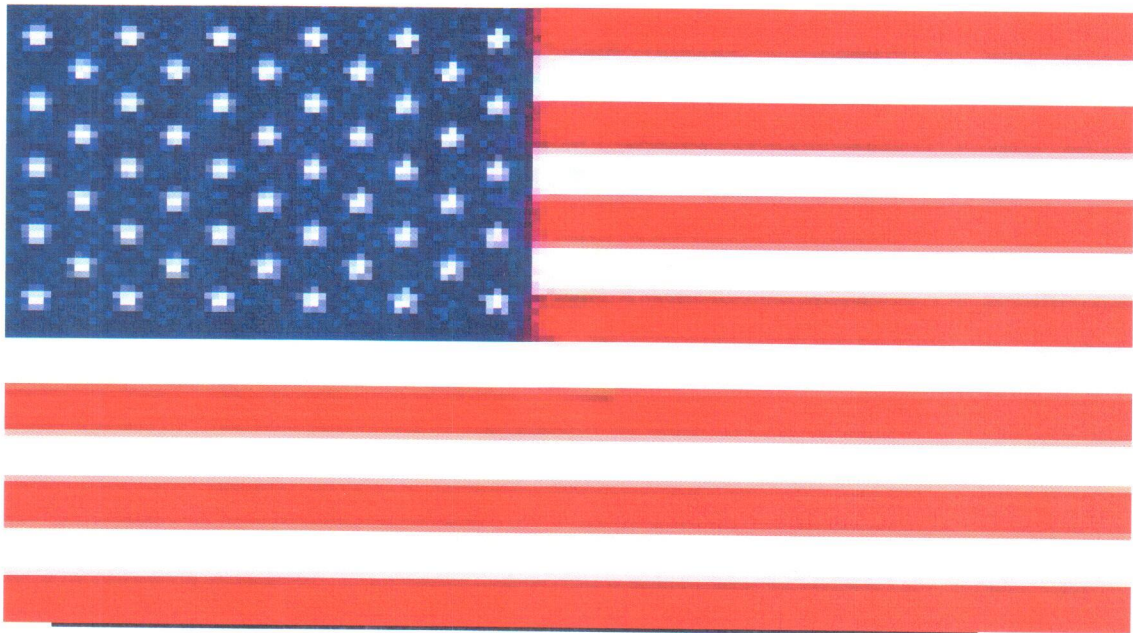
**CONNECTOR KINGS
CORPORATION
PRODUCT CATALOG**

1-800-822-6608

Direct: 951-710-1180 Fax: 951-710-1190

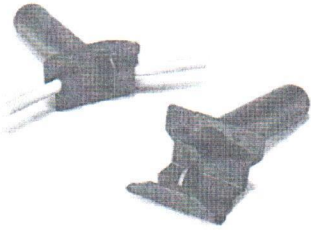
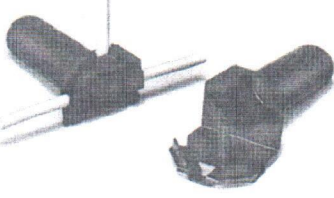
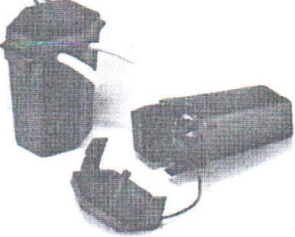
Email: ralph.davis@connectorkings.com

PO BOX 1507, KODAK, TN. 37764



***Made in America!
Using American made resins!
Creating Jobs for Americans!
Help Us Support America!***

WATERPROOF WIRE CONNECTORS

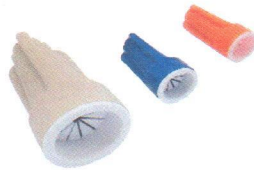
| SA-101 WIRE CONNECTOR | | STOCK NO | STANDARD SHIPPING UNIT |
|---|---|----------|------------------------|
|  | <p>Our connectors have less than .1% voltage leakage to ground, the lowest in the industry. This means by keeping moisture out and electricity in you will reduce your service call-backs and increase system efficiency.</p> <ul style="list-style-type: none"> • Wire range: 9 #20 to 2 #14 w/2 #18. • Zero failure rate with over 25,000,000 in use worldwide. • Pre-filled with XR compound, or empty. • Fast, reliable splicing - reducing labor costs. • Your choice of wire nuts or crimp. (sleeves) • UV resistant. | SA101 | 2,400 |
| SA-102 WIRE CONNECTOR | | STOCK NO | STANDARD SHIPPING UNIT |
|  | <p>Has all the benefits of the SA101, but designed to accommodate up to three 10-gauge UF wires. Ideal for low voltage lighting cable. Note that our connectors conveniently work with crimp sleeves or wire nuts.</p> <ul style="list-style-type: none"> • Wire range: up to 3 #10. • Zero failure rate after 18 years in use. • Works great for low voltage lighting. • Pre-filled with XR compound, or empty. • Your choice of wire nuts or crimp. (sleeves) • UV resistant. | SA102 | 2,400 |
| SPI-F SPLICE-ALL WIRE CONNECTOR | | STOCK NO | STANDARD SHIPPING UNIT |
|  | <p>Ideal for low voltage lighting wire splices. Our largest wire connector—accommodates up to four 8-gauge lighting wires and allows 2 splice capability.</p> <ul style="list-style-type: none"> • Large capacity • Multi-splice capability • Pre-filled with XR compound, or empty. • Large gray wire nut included • UV resistant. | SPI-F | 600 |



CONNECTOR KINGS CORPORATION

NEW ADDITIONS TO OUR WATERPROOF WIRE CONNECTOR FAMILY

Waterproof Silicone Filled Wire Connectors for direct burial connections.



Model :

CKC03127 (ORANGE) 24AWG TO 16AWG (1000 Connectors / Bag)

CKC03128 (Blue) : 22awg to 14awg (500 Connectors / Bag)

CKC03130 (Black) : 18awg to 10awg (100 Connectors / Bag)

CKC03129 (Tan) :12awg to 6awg (100 Connectors / Bag)

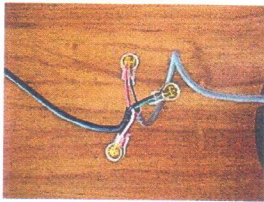
Perfect for use in two-wire decoder systems and direct burial applications

Rated to 600V max. for building wiring and 1000V max. lighting fixtures and signs

Pre-filled with dielectric silicone sealant that never hardens

Snap fit lid provides strain relief

No pre-twisting required, push stripped conductors into connector and screw on.



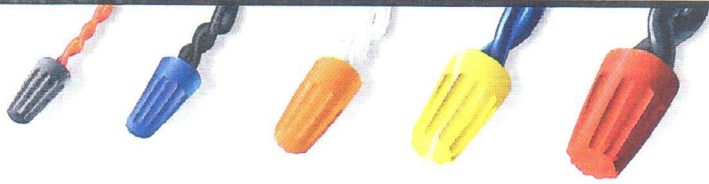
UY (yellow cap)

UR (red cap)

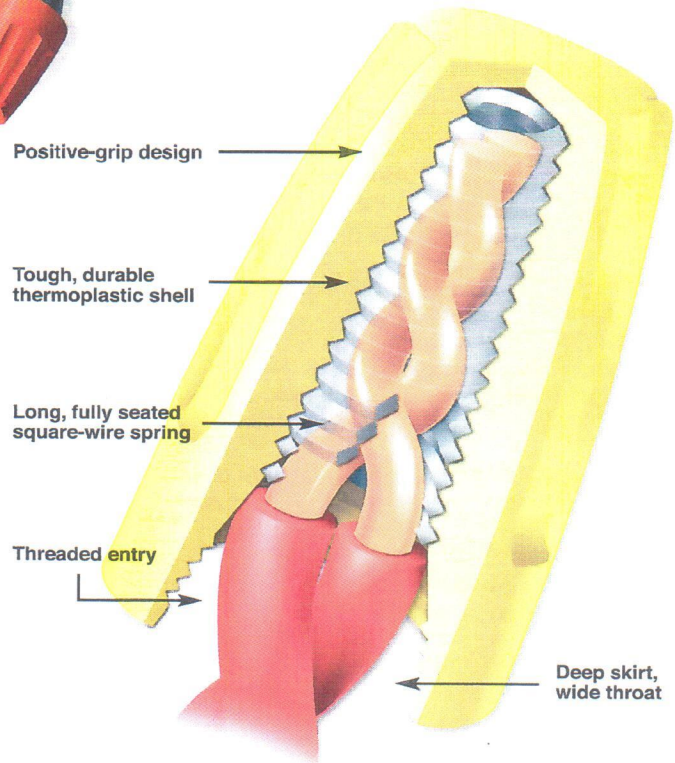
2 port connector

3 port connector

UL LISTED AND CSA APPROVED WIRE CONNECTORS



- Five color-coded models cover a full range of wire sizes from 22 through 8 AWG
- Fixed, square-wire spring creates its own threads – maintains a secure positive grip that will not relax over time
- No pre-twisting required – positive grip design provides fast, easy installation
- Deep, wide skirt helps protect against flash-over and turned-back strands for maximum dielectric protection
- Reusable for easy circuit changes and additions
- Tough, UL94V-2 flame-retardant shell rated at 105°C (221°F)
- UL 486C Listed and CSA 22.2 #188 Certified; comply with Federal Specification W-S-610E
- Classified in accordance with IEC Publications 998-2 and 998-2-4



| Model | Color | Wire Combination Range | Wire Combination Range (mm) | Quantity | Cat. No. |
|-------|--------|---|--|---|---|
| 71B® | Gray | 300V No. 22 to 16 AWG Min. 2 No. 22 Max. 2 No. 16 | 300V .64mm DIA to 1.29mm DIA Min. .65mm ² Max. 2.62mm ² | Box of 100 Carton of 1,000 Keg of 25,000 (loose pack) Card of 14 | 30-071 30-171 30-271 30-771 |
| 72B® | Blue | 300V No. 22 to 14 AWG Min. 2 No. 22 Max. 3 No. 16 | 300V .64mm DIA to 1.63mm DIA Min. .65mm ² Max. 3.93mm ² | Box of 100 Carton of 1,000 Keg of 10,000 (loose pack) Card of 12 | 30-071 30-172 30-272 30-772 |
| 73B® | Orange | 600V* No. 22 to 14 AWG Min. 1 No. 18 & 1 No. 20 Max. 4 No. 16 & 1 No. 20 | 600V* .64mm DIA to 1.63mm DIA Min. 1.34mm ² Max. 5.76mm ² | Box of 100 Jar of 300 Carton of 1,000 Keg of 10,000 (20 bags, 500 ea.) Keg of 10,000 (loose pack) Card of 10 | 30-073 30-073J 30-173 30-273 30-673 30-773 |
| 74B® | Yellow | 600V* No. 18 to 12 AWG Min. 2 No. 18 Max. 4 No. 14 & 1 No. 18 | 600V* 1.02mm DIA to 2.05mm DIA Min. 1.64mm ² Max. 9.14mm ² | Box of 100 Jar of 175 Carton of 1,000 Keg of 10,000 (20 bags, 500 ea.) Keg of 10,000 (loose pack) Card of 8 | 30-074 30-074J 30-174 30-274 30-674 30-774 |
| 76B® | Red | 600V* No. 18 to 10 AWG Min. 2 No. 14 Max. 2 No. 10 & 2 No. 12 | 600V* 1.02mm DIA to 2.59mm DIA Min. 4.16mm ² Max. 17.14mm ² | Box of 100 Carton of 1,000 Keg of 5,000 (20 bags, 250 ea.) Card of 6 | 30-076 30-176 30-276 30-776 |

*1,000V maximum in fixtures and signs



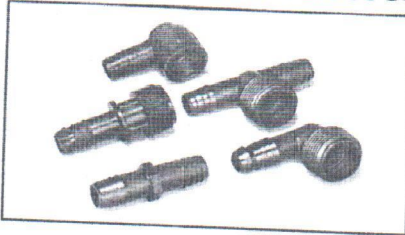
CONNECTOR KINGS (800) 822-6608



SWING JOINTS

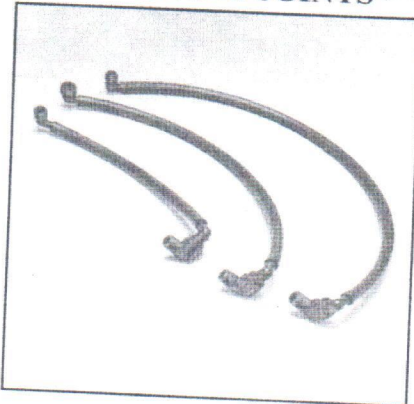


BARBED ELBOWS/FITTINGS



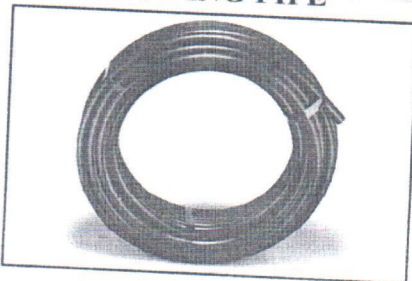
| DESCRIPTION | STOCK NO | UNITS PER CARTON |
|---|-------------------|------------------|
| <ul style="list-style-type: none"> Reinforced gusset strengthens the elbow to prevent breakage and subsequent costly repairs. Spiral barb design allows quicker twist on installation, eliminating the need for glue or clamps to save you time and money. 100% pure Delrin plastic resin provides long-term durability and leak-proof swing joints. Integrity rating at 283 psi. | .5 Barb | 4,800 |
| | .75 Barb | 4,800 |
| | .5 Insert | 1,200 |
| | .75 Insert | 1,200 |
| | .5 Barb-F Coupler | 1,200 |
| | Tee | 1,200 |

POLY SWING JOINTS



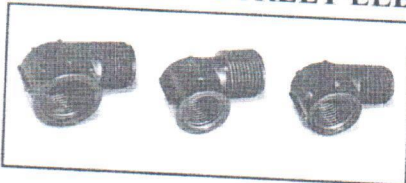
| DESCRIPTION | STOCK NO | OUTLET |
|--|-------------|------------------|
| CK Swing Joints 1/2" 12" Swing Joint Poly Pipe 12" Swing Joint Poly Pipe w/Marlex™ 18" Swing Joint Poly Pipe 18" Swing Joint Poly Pipe w/Marlex™ 24" Swing Joint Poly Pipe 24" Swing Joint Poly Pipe w/Marlex™ | CKSJ05-12 | 1/2" MIPT x MIPT |
| | CKSJ05-12M | 1/2" MIPT x MIPT |
| | CKSJ05-18 | 1/2" MIPT x MIPT |
| | CKSJ05-18M | 1/2" MIPT x MIPT |
| | CKSJ05-24 | 1/2" MIPT x MIPT |
| | CKSJ05-24M | 1/2" MIPT x MIPT |
| CK Swing Joints 3/4" 12" Swing Joint Poly Pipe 12" Swing Joint Poly Pipe w/Marlex™ 18" Swing Joint Poly Pipe 18" Swing Joint Poly Pipe w/Marlex™ 24" Swing Joint Poly Pipe 24" Swing Joint Poly Pipe w/Marlex™ | CKSJ075-12 | 3/4" MIPT x MIPT |
| | CKSJ075-12M | 3/4" MIPT x MIPT |
| | CKSJ075-18 | 3/4" MIPT x MIPT |
| | CKSJ075-18M | 3/4" MIPT x MIPT |
| | CKSJ075-24 | 3/4" MIPT x MIPT |
| | CKSJ075-24M | 3/4" MIPT x MIPT |

POLY SWING PIPE



| DESCRIPTION | STOCK NO | UNITS PER CARTON |
|---|-----------|--|
| Used in conjunction with the barbed fitting as a flexible swing joint assembly. This makes sprinkler head relocation very easy. <ul style="list-style-type: none"> 100% pure linear low-density polyethylene, with added elastomers for increased flexibility. Provides leak-proof swing joints. Rated at 90 psi. Withstands 400 psi burst. Available in 100' rolls. | ULTRAFLEX | 5-100 ft. coils per Box 12,000 Pallet |

MARLEX™ STREET ELBOWS



| DESCRIPTION | STOCK NO | UNITS PER CARTON |
|--|-------------|------------------|
| <ul style="list-style-type: none"> Ideal for use in making swing joints. More than 27% heavier than other elbows, providing added strength and durability. Unique molding and design system assures that elbows do not leak, weep or break. | .5 Marlex™ | 5,000 |
| | .75 Marlex™ | 2,500 |
| | 1. Marlex™ | 1,000 |

CK BARBED ELBOW INSTALLER



| DESCRIPTION | STOCK NO | UNITS PER CARTON |
|---|----------|------------------|
| EL-TOOL™ <ul style="list-style-type: none"> Make custom swing joints according to your needs Use in conjunction with your cordless drill Easy and fast to use Saves money and time Made of durable glass-filled Delrin® Installation crew's best friend! Note: Works with CK barbed elbows only. | BEI | 10 |



SWING JOINTS:

EACH SWING JOINT COMES WITH TWO BARBED ELBOWS AND ONE MARLEX STREET ELBOW

1/2x12 SWING JOINT WITH MARLEX

1/2x6 SWING JOINT POLY PIPE/MARLEX

1/2x3/4x12 SWING JOINT W/MARLEX

3/4 x 12 SWING JOINT POLY PIPE



SCHEDULE 80 PLASTIC BALL VALVES (GRAY) YOUR COST IS 50% OFF LIST

| Threaded | SLIP | SIZE |
|-----------------|------------------|---------------|
| PBVL-050 | PBVS-050 | 1/2" |
| PBVL-075 | PBVL-075S | 3/4" |
| PBVL-100 | PBVL-100S | 1" |
| PBVL-125 | PBVL-125S | 1-1/4" |
| PBVL-150 | PBVL-150S | 1-1/2" |
| PBVL-200 | PBVL-200S | 2" |
| PBVL-250 | PBVL-250S | 2-1/2" |
| PBVL-300 | PBVL-300S | 3" |
| PBVL-400 | PBVL-400S | 4" |

18AWG UL LISTED MULTI CONDUCTOR WIRE
500' & 1000' spools

conductors weight per 1000'

| | |
|----|-----|
| 2 | 21 |
| 3 | 30 |
| 4 | 40 |
| 5 | 48 |
| 6 | 54 |
| 7 | 60 |
| 8 | 68 |
| 9 | 72 |
| 10 | 86 |
| 13 | 105 |
| 16 | 128 |
| 19 | 150 |
| 25 | 193 |

UL LISTED LOW VOLTAGE LIGHTING WIRE ON WOOD SPOOLS

- 8-2- 250' SPOOL
- 10-2 500' spool
- 12-2 500' spool
- 14-2 500' spool
- 16-2 500' spool
- 18-2 500' spool



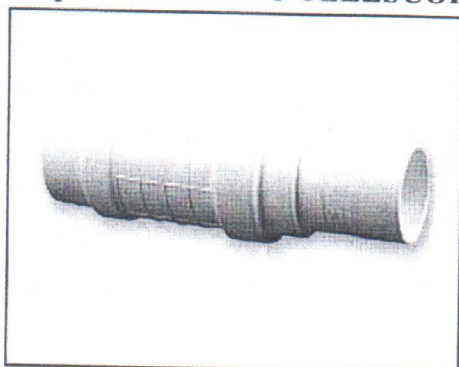
CORD SETS:

| | | |
|------|---------------------------------|-------------|
| 16/3 | 6' Right Angle Plug 50 per case | \$6.99 each |
| 16/3 | 6' Straight Plug 50 per case | 6.99 each |

REPAIR COUPLERS



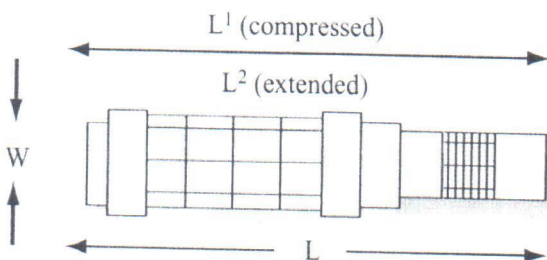
QUICK-FIX PVC TELESCOPIC REPAIR COUPLING



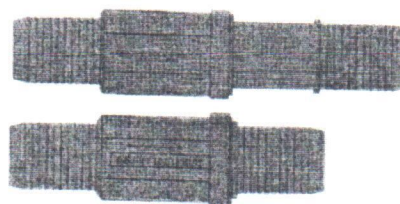
| | | W | L ¹ | L ² |
|--------|---------------|------|----------------|----------------|
| 1/2" | SLIP x SPIGOT | 1.50 | 6.13 | 8.13 |
| 3/4" | SLIP x SPIGOT | 1.90 | 6.63 | 9.00 |
| 1" | SLIP x SPIGOT | 2.20 | 7.50 | 10.13 |
| 1-1/4" | SLIP x SPIGOT | 2.81 | 8.75 | 11.38 |
| 1-1/2" | SLIP x SPIGOT | 3.10 | 9.38 | 12.50 |
| 2" | SLIP x SPIGOT | 3.64 | 9.75 | 12.88 |
| 2-1/5" | SLIP x SPIGOT | 4.12 | 12.50 | 16.88 |
| 3" | SLIP x SPIGOT | 4.88 | 13.38 | 17.88 |
| 4" | SLIP x SPIGOT | 6.06 | 14.88 | 19.63 |

STOCK NO UNITS
PER CARTON

| | |
|--------|----|
| QF0500 | 30 |
| QF0750 | 24 |
| QF1000 | 18 |
| QF1250 | 12 |
| QF1500 | 12 |
| QF2000 | 8 |
| QF2500 | 4 |
| QF3000 | 3 |
| QF4000 | 2 |



- Made with HI-IMPACT PVC Type II material
- 150 PSI pressure rated in **all** positions
- Complies with all applicable ASTM & ANSI standards
- Internal high quality self-lubricating EPDM O'Ring for long life & smooth movement
- One piece cylinder — no solvent weld to leak



POLY PIPE REPAIR COUPLERS:

Ideal for repairing breaks in poly pipe

| Part # | Size | Description | Box Quantity |
|--------|--------|----------------------|--------------|
| PSC-07 | 3/4" | Poly Stretch Coupler | 50 |
| PSC-10 | 1" | Poly Stretch Coupler | 50 |
| PSC-12 | 1-1/4" | Poly Stretch Coupler | 25 |
| PSC-15 | 1-1/2" | Poly Stretch Coupler | 25 |
| PSC-20 | 2" | Poly Stretch Coupler | 20 |

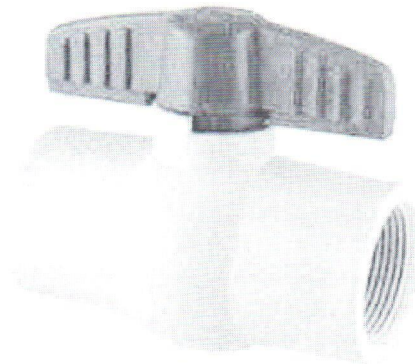


BALL VALVES - PLASTIC



Plastic ball valve, threaded ends, white

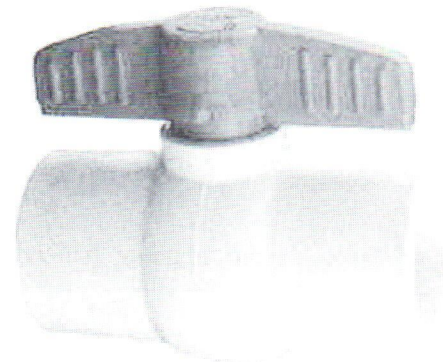
| Item # | Size | Box Qty. |
|---------|--------|----------|
| PBV-050 | 1/2" | 1 |
| PBV-075 | 3/4" | 1 |
| PBV-100 | 1" | 1 |
| PBV-125 | 1 1/4" | 1 |
| PBV-150 | 1 1/2" | 1 |
| PBV-200 | 2" | 1 |
| PBV-250 | 2 1/2" | 1 |
| PBV-300 | 3" | 1 |
| PBV-400 | 4" | 1 |



PBV

Plastic ball valve, slip ends, white

| Item # | Size | Box Qty. |
|----------|--------|----------|
| PBV-050S | 1/2" | 1 |
| PBV-075S | 3/4" | 1 |
| PBV-100S | 1" | 1 |
| PBV-125S | 1 1/4" | 1 |
| PBV-150S | 1 1/2" | 1 |
| PBV-200S | 2" | 1 |
| PBV-250S | 2 1/2" | 1 |
| PBV-300S | 3" | 1 |



PBV-S

**For Schedule 80 Grey Valves,
use Part Number PBVG-"size".**





PREMIUM BRASS BALL VALVE, FULL PORT, 600 WOG, FEMALE THREADED ENDS

| Part # | Size | Part # | Size |
|---------|--------|---------|--------|
| BBV-050 | ½" | BBV-075 | ¾" |
| BBV-100 | 1" | BBV-125 | 1-1/4" |
| BBV-150 | 1-1/2" | BBV-200 | 2" |
| BBV-250 | 2-1/2" | BBV-300 | 3" |
| BBV-400 | 4" | | |

WIRE:

DECODER CABLE:

14-2 RAINBIRD MAXI-CABLE

86LB PER 1000'

12-2 RAINBIRD MAXI-CABLE

110LBS. PER 1000'

HUNTER DECODER CABLE 14-2 TWISTED

46LBS PER 1000'

HUNTER DECODER CABLE 12-2 TWISTED W/ OUTER JACKET

65LBS PER 1000'

TORO DECODER CABLE 14-2 TWISTED W/ OUTER JACKET

65LBS. PER 1000'

TORO DECODER CABLE 12-2 TWISTED W/ OUTER JACKET & STRIPE

65LBS. PER 1000'

UF UL AWG: weight per 1000' Single Conductor

12-1-2500' spool 37

14-1-2500' spool 28

16-1-2500' spool 17

AUTOMATIC WIRE STRIPPER

One squeeze action automatically adjusts to wire gauges from 10-26awg

Wire cutter copper and aluminum

Insulated and uninsulated crimping stations

Spring return

Heat treated hardened steel

Cushion insulated handle

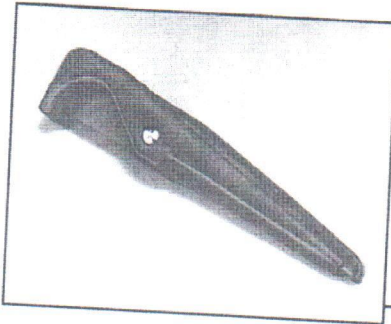


Part #: TL-AWS

POLY PIPE CUTTERS



KWIK-CUT™



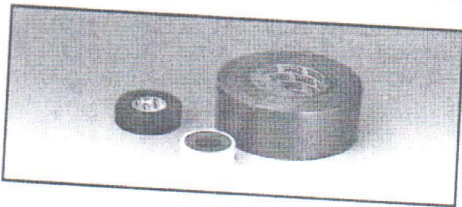
KWIK-CUT PIPE CUTTERS FOR FAST CUTTING OF PVC OR POLY PIPE. AVAILABLE IN BLACK OR YELLOW HANDLES

REPLACEMENT BLADES

| | STOCK NO | UNITS PER CARTON |
|-----|----------|------------------|
| 1" | T100 | 25 |
| 1½" | T135 | 25 |
| 2" | T200 | 25 |
| 1" | BT100 | Pack of 5 |
| 1" | BT100SS | Pack of 5 |
| 1½" | BT135 | Pack of 5 |
| 1½" | BT135SS | Pack of 5 |
| 2" | BT200SS | Pack of 5 |

OTHER SUPPLIES

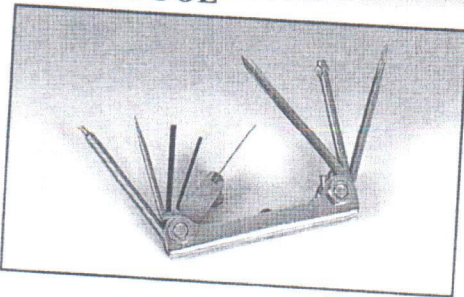
TAPES



1/2" X 520" TEFLON TAPE
 3/4" X 520" TEFLON TAPE
 3/4" X 60' ELECTRICAL TAPE
 2" X 60' DUCT TAPE

| | STOCK NO | STANDARD SHIPPING UNIT |
|--|----------|------------------------|
| | .5-520 | 100 |
| | .75-520 | 70 |
| | CU-360R | 10 |
| | 2X60DT | 24 |

IRRI-TOOL™

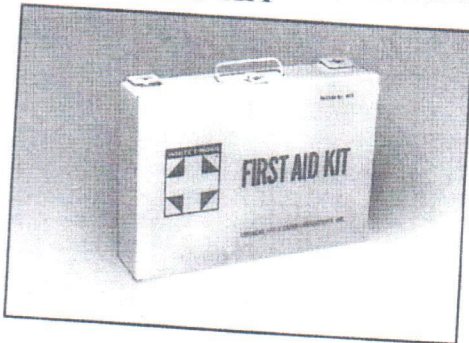


The all-in-one irrigation tool. Each tool contains:

Two size drip punch
 1/8" flat screwdriver
 3/32" hex key
 1/16" hex key
 Dfrip & nozzle cleaner
 1/4" flat screwdriver
 Phillips screwdriver
 Hunter "T" wrench

| | |
|-----------|----|
| IRRI TOOL | 10 |
|-----------|----|

FIRST AID KIT



OSHA #25 FIRST AID KIT
 Serves up to 25 persons. Each kit contains:

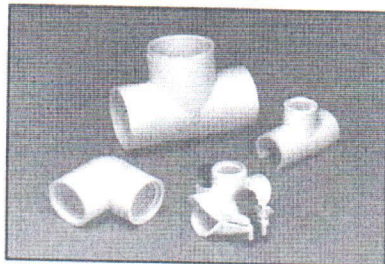
100 plastic strips
 1 adhesive tape
 1 absorbent cotton
 1 bandage - 1"
 1 bandage - 2"
 10 non-adherent pads
 4 oval eye pads
 1 triangular bandage
 1 first aid cream
 1 scissors
 1 cold pack
 1 first aid booklet
 1 content card
 4 antiseptic wipes
 2 ammonia inhalants

| | |
|-----|---|
| KIT | 1 |
|-----|---|

FITTINGS



PVC FITTINGS



SEPARATE CATALOG AVAILABLE UPON REQUEST

AMERICAN-MADE, HIGH QUALITY FITTINGS THAT YOU CAN DEPEND ON.

SCHEDULE 40 FITTINGS
SCHEDULE 80 FITTINGS
SADDLE TEES

INSERT FITTINGS

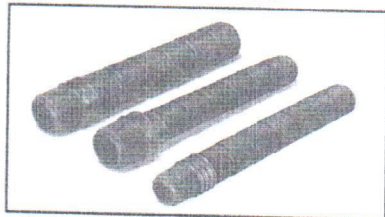


SEPARATE CATALOG AVAILABLE UPON REQUEST

LEAK PROOF, DEPENDABLE, MADE IN THE USA, QUALITY INSERT FITTINGS

INSERT FITTINGS
KWIKADAPTS™

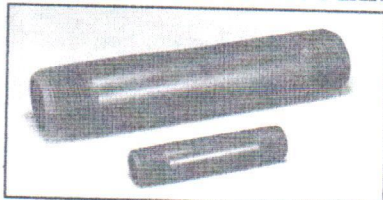
CUTOFF RISERS



100% PURE AMERICAN MADE COMPOUNDS TO GUARANTEE HIGH RELIABILITY

| | STOCK NO | BAG QUANTITY |
|------------------|----------|--------------|
| 1/2" x 6" | CON050 | 50 |
| 3/4" x 6" | CON075 | 25 |
| 3/4" x 1/2" x 6" | CON080 | 25 |

SCHEDULE 80 NIPPLES



PRICE SHEET AVAILABLE UPON REQUEST

AMERICAN MADE HIGH QUALITY PIPE NIPPLES THAT YOU CAN COUNT ON.

MACHINED NIPPLES AVAILABLE. UP TO 48" LONG

| | 1/2 | 3/4 | 1 | 1-1/4 | 1-1/2 | 2 | 2-1/2 | 3 | 4 | 6 |
|-------|-----------|-----------|-----------|-----------|-----------|-----------|-----------|-----------|-----------|-----------|
| close | 005-close | 007-close | 010-close | 012-close | 015-close | 020-close | 025-close | 030-close | 040-close | 060-close |
| 2 | 005-020 | 007-020 | 010-020 | 012-020 | 015-020 | N/A | N/A | N/A | N/A | N/A |
| 3 | 005-030 | 007-030 | 010-030 | 012-030 | 015-030 | 020-030 | 025-030 | 030-030 | N/A | N/A |
| 4 | 005-040 | 007-040 | 010-040 | 012-040 | 015-040 | 020-040 | 025-040 | 030-040 | 040-040 | 060-060 |
| 5 | 005-050 | 007-050 | 010-050 | 012-050 | 015-050 | 020-050 | 025-050 | 030-050 | 040-050 | 060-050 |
| 6 | 005-060 | 007-060 | 010-060 | 012-060 | 015-060 | 020-060 | 025-060 | 030-060 | 040-060 | 060-060 |
| 7 | 005-070 | 007-070 | 010-070 | 012-070 | 015-070 | 020-070 | 025-070 | 030-070 | 040-070 | 060-070 |
| 8 | 005-080 | 007-080 | 010-080 | 012-080 | 015-080 | 020-080 | 025-080 | 030-080 | 040-080 | 060-080 |
| 10 | 005-100 | 007-100 | 010-100 | 012-100 | 015-100 | 020-100 | 025-100 | 030-100 | 040-100 | 060-100 |
| 12 | 005-120 | 007-120 | 010-120 | 012-120 | 015-120 | 020-120 | 025-120 | 030-120 | 040-120 | 060-120 |
| 14 | 005-140 | 007-140 | 010-140 | 012-140 | 015-140 | 020-140 | 025-140 | 030-140 | 040-140 | 060-140 |
| 16 | 005-160 | 007-160 | 010-160 | 012-160 | 015-160 | 020-160 | 025-160 | 030-160 | 040-160 | 060-160 |
| 18 | 005-180 | 007-180 | 010-180 | 012-180 | 015-180 | 020-180 | 025-180 | 030-180 | 040-180 | 060-180 |
| 24 | 005-240 | 007-240 | 010-240 | 012-240 | 015-240 | 020-240 | 025-240 | 030-240 | 040-240 | 060-240 |
| 30 | 005-300 | 007-300 | 010-300 | 012-300 | 015-300 | 020-300 | 025-300 | 030-300 | 040-300 | 060-300 |
| 36 | 005-360 | 007-360 | 010-360 | 012-360 | 015-360 | 020-360 | 025-360 | 030-360 | 040-360 | 060-360 |
| 48 | 005-480 | 007-480 | 010-480 | 012-480 | 015-480 | 020-480 | 025-480 | 030-480 | 040-480 | 060-480 |

BOX & LID COMBOS

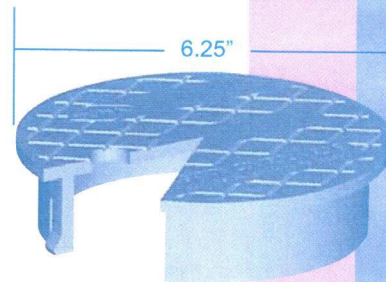
| COLOR | | PART NUMBER |
|--------|--------|-------------|
| BOX | LID | |
| BLACK | GREEN | 60 |
| GREEN | GREEN | 61 |
| TAN | TAN | 62 |
| PURPLE | PURPLE | 63 |



QUALITY BY DESIGN

SEPARATES

| COLOR | LID | BODY |
|--------|----------|----------|
| | PART NO. | PART NO. |
| GREEN | T61 | B61 |
| BLACK | - | B64 |
| TAN | T62 | B62 |
| PURPLE | T63 | B63 |



LID ENGRAVING

All lids are shipped engraved with:
"IRRIGATION CONTROL VALVE"
unless ordered as follows:

| Designation: | Body & Lid | Lid |
|--------------------|------------|-------|
| TELEPHONE | 61-T | T61-T |
| ELECTRIC JUNCTION | 61-E | T61-E |
| LOW VOLTAGE | | |
| LANDSCAPE LIGHTING | 61-L | T61-L |

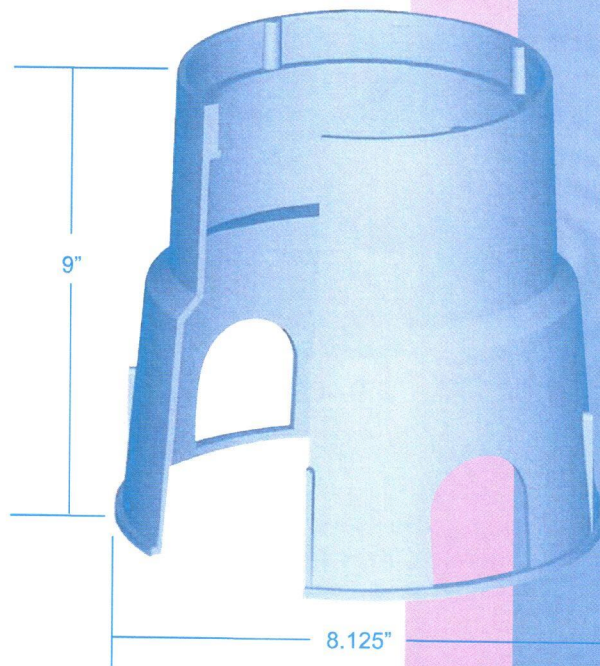
Shipping:

Standard Pallet = 570 pcs

Ask your rep how you can save money
by buying container loads direct.

| | | |
|--------------|------------|--------------------|
| 20 Container | 18 Pallets | 450 pcs per pallet |
| 40 Container | 40 Pallets | 570 pcs per pallet |

FOR USE IN NON-VEHICULAR TRAFFIC AREAS.
WEIGHTS AND DIMENSIONS MAY VARY.



ROUND VALVE BOX



QUALITY BY DESIGN



BOX & LID COMBOS

| BOX | COLOR | | PART NUMBER |
|--------|--------|--------|-------------|
| | BOX | LID | |
| BLACK | GREEN | GREEN | 70 |
| GREEN | GREEN | GREEN | 71 |
| TAN | TAN | TAN | 72 |
| PURPLE | PURPLE | PURPLE | 73 |
| BLACK | BLACK | BLACK | 74 |
| GREY | GREY | GREY | 75 |

SEPARATES

| COLOR | LID | BODY |
|--------|----------|----------|
| | PART NO. | PART NO. |
| GREEN | T71 | B71 |
| TAN | T72 | B72 |
| PURPLE | T73 | B73 |
| BLACK | T74 | B74 |
| GREY | T75 | B75 |

LID ENGRAVING

All lids are shipped engraved with: "IRRIGATION CONTROL VALVE" unless ordered as follows:

| Designation: | Body & Lid | Lid |
|--------------------|------------|-------|
| TELEPHONE | 7_-T | T7_-T |
| ELECTRIC JUNCTION | 7_-E | T7_-E |
| LOW VOLTAGE | | |
| LANDSCAPE LIGHTING | 7_-L | T7_-L |

ORDER EXAMPLE: To order a Green box/lid combo engraved with "TELEPHONE" you would select "71-T" or for a black lid only you would select "T74-T"

Shipping:

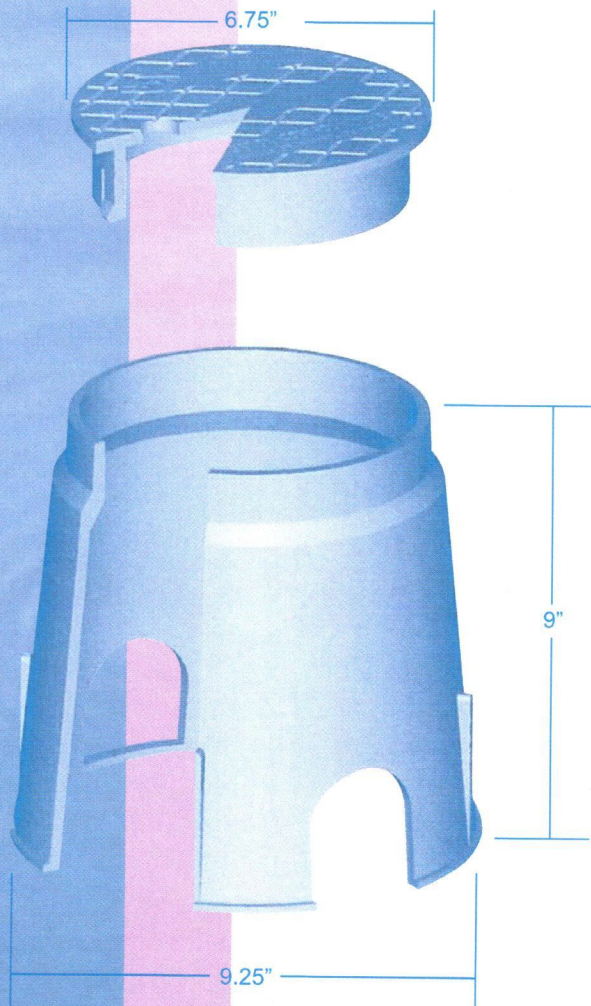
Standard Pallet = 240 pcs

Ask your rep how you can save money by buying container loads direct.

| | | |
|--------------|------------|--------------------|
| 20 Container | 18 Pallets | 200 pcs per pallet |
| 40 Container | 40 Pallets | 240 pcs per pallet |

FOR USE IN NON-VEHICULAR TRAFFIC AREAS. WEIGHTS AND DIMENSIONS MAY VARY.

ROUND VALVE BOX



BOX & LID COMBOS

| COLOR | | PART NUMBER |
|--------|--------|-------------|
| BOX | LID | |
| BLACK | GREEN | 100 |
| GREEN | GREEN | 101 |
| TAN | TAN | 102 |
| PURPLE | PURPLE | 103 |
| BLACK | BLACK | 104 |
| GREY | GREY | 105 |

SEPARATES

| COLOR | LID PART NO. | BODY PART NO. |
|--------|--------------|---------------|
| GREEN | T101 | B101 |
| TAN | T102 | B102 |
| PURPLE | T103 | B103 |
| BLACK | T104 | B104 |
| GREY | T105 | B105 |

LID ENGRAVING

All lids are shipped engraved with:
"IRRIGATION CONTROL VALVE"
unless ordered as follows:

| Designation: | Body & Lid | Lid |
|--------------------|------------|--------|
| TELEPHONE | 10_-T | T10_-T |
| ELECTRIC JUNCTION | 10_-E | T10_-E |
| LOW VOLTAGE | | |
| LANDSCAPE LIGHTING | 10_-L | T10_-L |

ORDER EXAMPLE: To order a Green box/lid combo engraved with "TELEPHONE" you would select "101-T" or for a black lid only you would select "T104-T"

Shipping:

Standard Pallet = 156 pcs

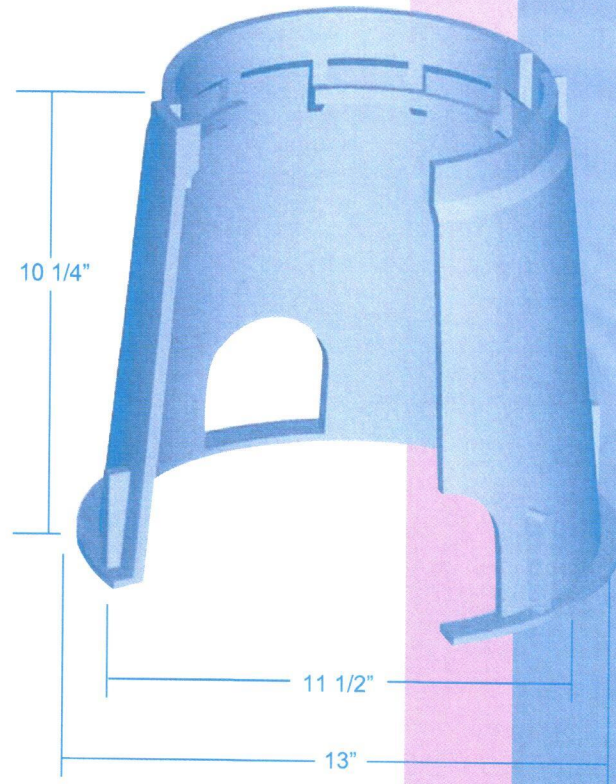
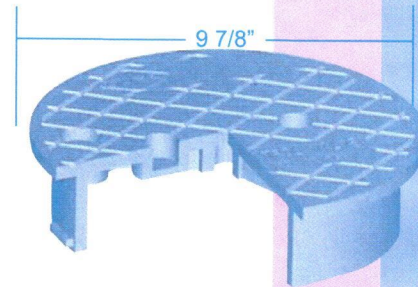
Ask your rep how you can save money by buying container loads direct.

| | | |
|--------------|------------|--------------------|
| 20 Container | 18 Pallets | 120 pcs per pallet |
| 40 Container | 40 Pallets | 156 pcs per pallet |

FOR USE IN NON-VEHICULAR TRAFFIC AREAS.
WEIGHTS AND DIMENSIONS MAY VARY.



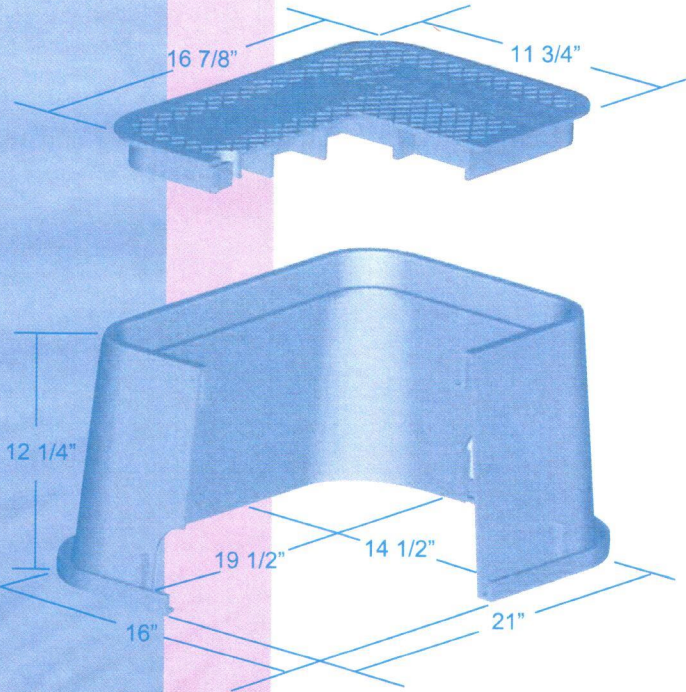
QUALITY BY DESIGN



ROUND VALVE BOX



QUALITY BY DESIGN



RECTANGULAR VALVE BOX

BOX & LID COMBOS

| COLOR | | PART NUMBER |
|--------|--------|-------------|
| BOX | LID | |
| BLACK | GREEN | 120 |
| GREEN | GREEN | 121 |
| TAN | TAN | 122 |
| PURPLE | PURPLE | 123 |
| BLACK | BLACK | 124 |
| GREY | GREY | 125 |

SEPARATES

| COLOR | LID PART NO. | BODY PART NO. |
|--------|--------------|---------------|
| GREEN | T121 | B121 |
| TAN | T122 | B122 |
| PURPLE | T123 | B123 |
| BLACK | T124 | B124 |
| GREY | T125 | B125 |

LID ENGRAVING

All lids are shipped engraved with:
"IRRIGATION CONTROL VALVE"
unless ordered as follows:

| Designation: | Body & Lid | Lid |
|--------------------|------------|--------|
| TELEPHONE | 12_-T | T12_-T |
| ELECTRIC JUNCTION | 12_-E | T12_-E |
| LOW VOLTAGE | | |
| LANDSCAPE LIGHTING | 12_-L | T12_-L |

ORDER EXAMPLE: To order a Green box/lid combo engraved with "TELEPHONE" you would select "121-T" or for a black lid only you would select "T124-T"

Shipping:

Standard Pallet = 72 pcs

Ask your rep how you can save money by buying container loads direct.

| | | |
|--------------|------------|-------------------|
| 20 Container | 18 Pallets | 54 pcs per pallet |
| 40 Container | 40 Pallets | 72 pcs per pallet |

FOR USE IN NON-VEHICULAR TRAFFIC AREAS.
WEIGHTS AND DIMENSIONS MAY VARY.

BOX & LID COMBOS

| COLOR | | PART NUMBER |
|--------|--------|-------------|
| BOX | LID | |
| BLACK | GREEN | 120-6 |
| GREEN | GREEN | 121-6 |
| TAN | TAN | 122-6 |
| PURPLE | PURPLE | 123-6 |
| BLACK | BLACK | 124-6 |
| GREY | GREY | 125-6 |

SEPARATES

| COLOR | LID | BODY |
|--------|----------|----------|
| | PART NO. | PART NO. |
| GREEN | T121 | B121-6 |
| TAN | T122 | B122-6 |
| PURPLE | T123 | B123-6 |
| BLACK | T124 | B124-6 |
| GREY | T125 | B125-6 |

LID ENGRAVING

All lids are shipped engraved with:
"IRRIGATION CONTROL VALVE"
unless ordered as follows:

| Designation: | Body & Lid | Lid |
|--------------------|------------|--------|
| TELEPHONE | 12_-6-T | T12_-T |
| ELECTRIC JUNCTION | 12_-6-E | T12_-E |
| LOW VOLTAGE | | |
| LANDSCAPE LIGHTING | 12_-6-L | T12_-L |

ORDER EXAMPLE: To order a Green box/lid combo engraved with "TELEPHONE" you would select "121-6-T" or for a black lid only you would select "T124-6-T"

Shipping:

Standard Pallet = 98 pcs

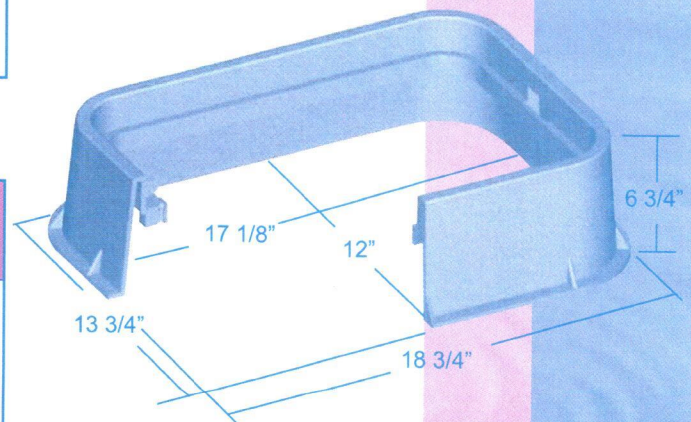
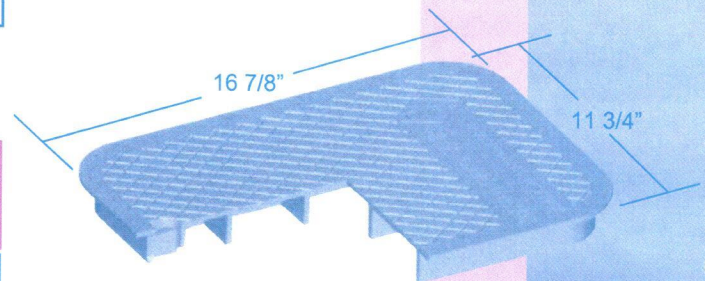
Ask your rep how you can save money
by buying container loads direct.

| | | |
|--------------|------------|-------------------|
| 20 Container | 18 Pallets | 77 pcs per pallet |
| 40 Container | 40 Pallets | 98 pcs per pallet |

FOR USE IN NON-VEHICULAR TRAFFIC AREAS.
WEIGHTS AND DIMENSIONS MAY VARY.



QUALITY BY
DESIGN



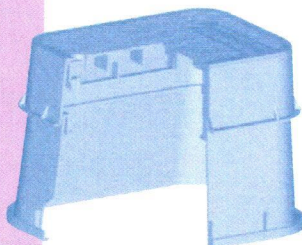
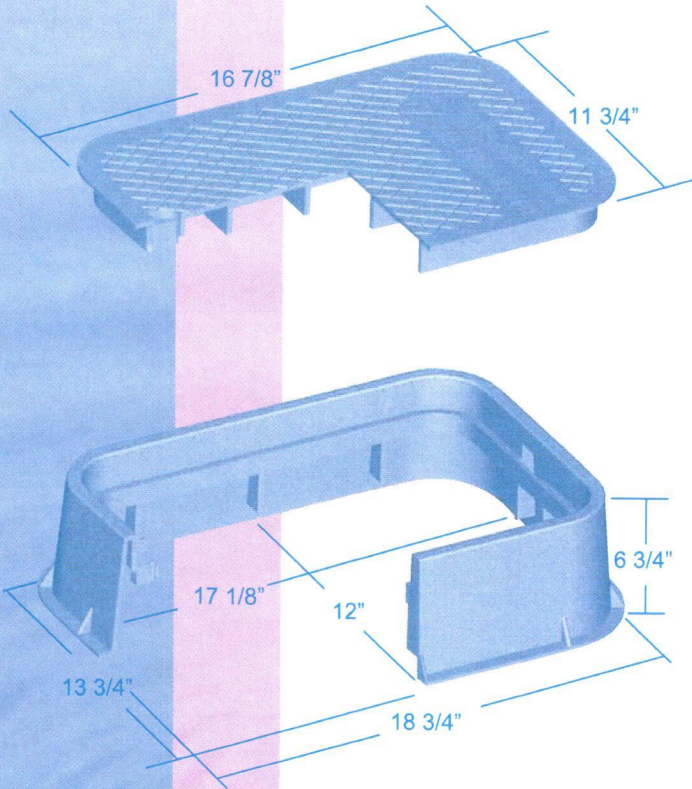
RECTANGULAR VALVE BOX



QUALITY BY DESIGN



RECTANGULAR VALVE BOX



Use as an extension on 12" deep box for a total of 18" depth

BOX & LID COMBOS

| BOX | COLOR | | PART NUMBER |
|--------|--------|--------|-------------|
| | BOX | LID | |
| BLACK | GREEN | GREEN | 120-X |
| GREEN | GREEN | GREEN | 121-X |
| TAN | TAN | TAN | 122-X |
| PURPLE | PURPLE | PURPLE | 123-X |
| BLACK | BLACK | BLACK | 124-X |
| GREY | GREY | GREY | 125-X |

SEPARATES

| COLOR | LID PART NO. | BODY PART NO. |
|--------|--------------|---------------|
| GREEN | T121 | B121-X |
| TAN | T122 | B122-X |
| PURPLE | T123 | B123-X |
| BLACK | T124 | B124-X |
| GREY | T125 | B125-X |

LID ENGRAVING

All lids are shipped engraved with: "IRRIGATION CONTROL VALVE" unless ordered as follows:

| Designation: | Body & Lid | Lid |
|--------------------|------------|--------|
| TELEPHONE | 12_-X-T | T12_-T |
| ELECTRIC JUNCTION | 12_-X-E | T12_-E |
| LOW VOLTAGE | | |
| LANDSCAPE LIGHTING | 12_-X-L | T12_-L |

ORDER EXAMPLE: To order a Green box/lid combo engraved with "TELEPHONE" you would select "121-X-T" or for a black lid only you would select "T124-T"

Shipping:

Standard Pallet = 49 pcs

Ask your rep how you can save money by buying container loads direct.

| | | |
|--------------|------------|-------------------|
| 20 Container | 18 Pallets | 42 pcs per pallet |
| 40 Container | 40 Pallets | 49 pcs per pallet |

FOR USE IN NON-VEHICULAR TRAFFIC AREAS. WEIGHTS AND DIMENSIONS MAY VARY.

BOX & LID COMBOS

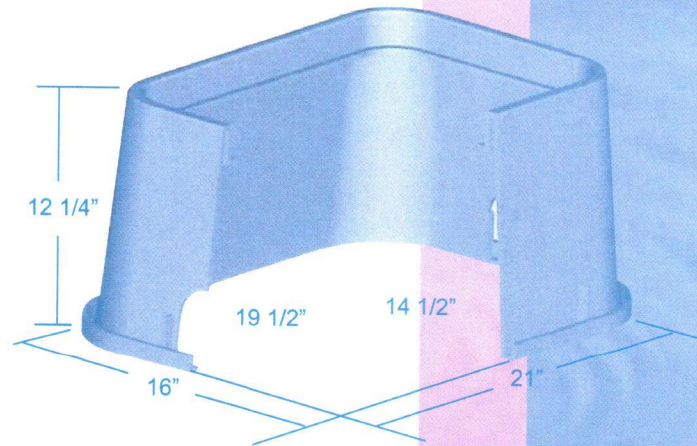
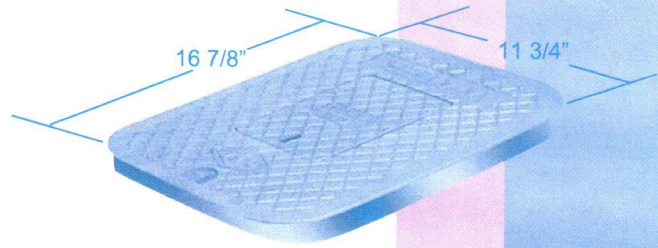
| BOX | COLOR | | PART NUMBER |
|-------|-------|--|-------------|
| | LID | | |
| BLACK | GREEN | | 120.MR |
| GREEN | GREEN | | 121.MR |
| TAN | TAN | | 122.MR |
| BLACK | BLACK | | 124.MR |



QUALITY BY DESIGN

SEPARATES

| COLOR | LID | BODY |
|-------|----------|----------|
| | PART NO. | PART NO. |
| GREEN | T121 | B121 |
| TAN | T122 | B122 |
| BLACK | T124 | B124 |



METER BOX

Shipping:

Standard Pallet = 72 pcs

Ask your rep how you can save money by buying container loads direct.

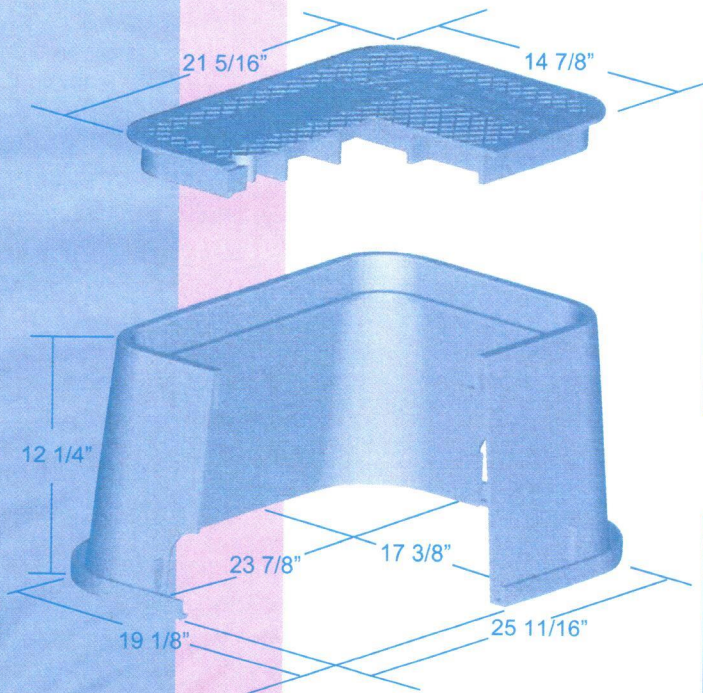
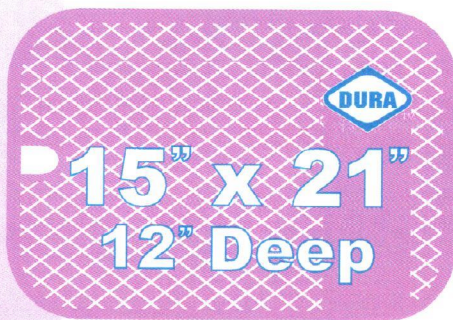
| | | |
|--------------|------------|-------------------|
| 20 Container | 18 Pallets | 54 pcs per pallet |
| 40 Container | 40 Pallets | 72 pcs per pallet |

FOR USE IN NON-VEHICULAR TRAFFIC AREAS. WEIGHTS AND DIMENSIONS MAY VARY.

PRICES SUBJECT TO CHANGE WITHOUT NOTICE



QUALITY BY DESIGN



RECTANGULAR VALVE BOX

BOX & LID COMBOS

| BOX | COLOR | | PART NUMBER |
|--------|--------|--|-------------|
| | LID | | |
| BLACK | GREEN | | 150 |
| GREEN | GREEN | | 151 |
| TAN | TAN | | 152 |
| PURPLE | PURPLE | | 153 |
| BLACK | BLACK | | 154 |
| GREY | GREY | | 155 |

SEPARATES

| COLOR | LID PART NO. | BODY PART NO. |
|--------|--------------|---------------|
| GREEN | T151 | B151 |
| TAN | T152 | B152 |
| PURPLE | T153 | B153 |
| BLACK | T154 | B154 |
| GREY | T155 | B155 |

LID ENGRAVING

All lids are shipped engraved with: "IRRIGATION CONTROL VALVE" unless ordered as follows:

| Designation: | Body & Lid | Lid |
|--------------------|------------|--------|
| TELEPHONE | 15_-T | T15_-T |
| ELECTRIC JUNCTION | 15_-E | T15_-E |
| LOW VOLTAGE | | |
| LANDSCAPE LIGHTING | 15_-L | T15_-L |

ORDER EXAMPLE: To order a Green box/lid combo engraved with "TELEPHONE" you would select "151-T" or for a black lid only you would select "T154-T"

Shipping:

Standard Pallet = 48 pcs

Ask your rep how you can save money by buying container loads direct.

| | | |
|--------------|------------|-------------------|
| 20 Container | 18 Pallets | 40 pcs per pallet |
| 40 Container | 40 Pallets | 48 pcs per pallet |

FOR USE IN NON-VEHICULAR TRAFFIC AREAS. WEIGHTS AND DIMENSIONS MAY VARY.

BOX & LID COMBOS

| COLOR | | PART NUMBER |
|--------|--------|-------------|
| BOX | LID | |
| BLACK | GREEN | 150-6 |
| GREEN | GREEN | 151-6 |
| TAN | TAN | 152-6 |
| PURPLE | PURPLE | 153-6 |
| BLACK | BLACK | 154-6 |
| GREY | GREY | 155-6 |

SEPARATES

| COLOR | LID | BODY |
|--------|----------|----------|
| | PART NO. | PART NO. |
| GREEN | T151 | B151-6 |
| TAN | T152 | B152-6 |
| PURPLE | T153 | B153-6 |
| BLACK | T154 | B154-6 |
| GREY | T155 | B155-6 |

LID ENGRAVING

All lids are shipped engraved with:
"IRRIGATION CONTROL VALVE"
unless ordered as follows:

| Designation: | Body & Lid | Lid |
|--------------------|------------|--------|
| TELEPHONE | 15_-6-T | T15_-T |
| ELECTRIC JUNCTION | 15_-6-E | T15_-E |
| LOW VOLTAGE | | |
| LANDSCAPE LIGHTING | 15_-6-L | T15_-L |

ORDER EXAMPLE: To order a Green box/lid combo engraved with "TELEPHONE" you would select "151-6-T" or for a black lid only you would select "T154-T"

Shipping:

Standard Pallet = 56 pcs

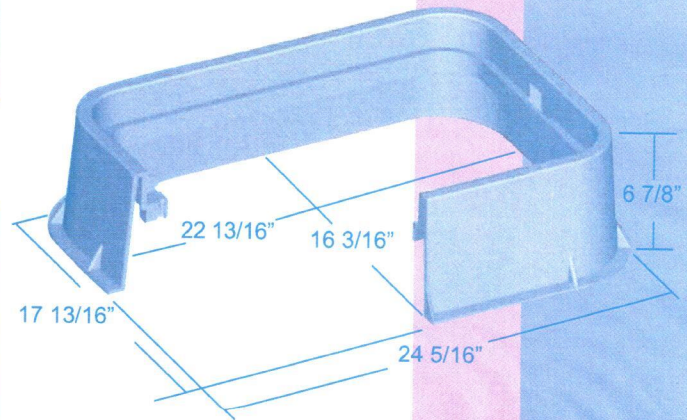
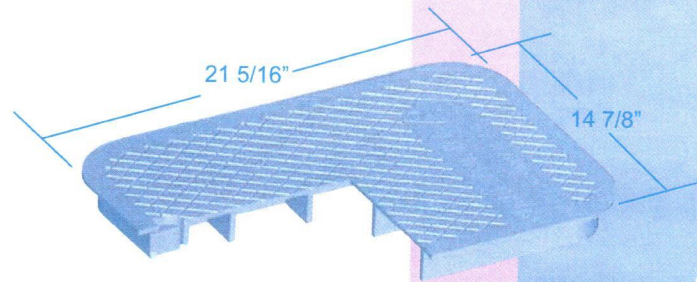
Ask your rep how you can save money
by buying container loads direct.

| | | |
|--------------|------------|-------------------|
| 20 Container | 18 Pallets | 48 pcs per pallet |
| 40 Container | 40 Pallets | 56 pcs per pallet |

FOR USE IN NON-VEHICULAR TRAFFIC AREAS.
WEIGHTS AND DIMENSIONS MAY VARY.



QUALITY BY
DESIGN



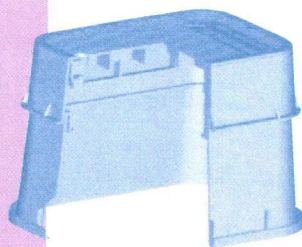
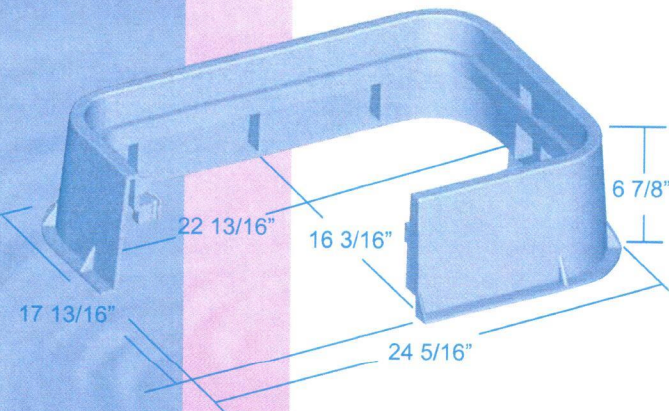
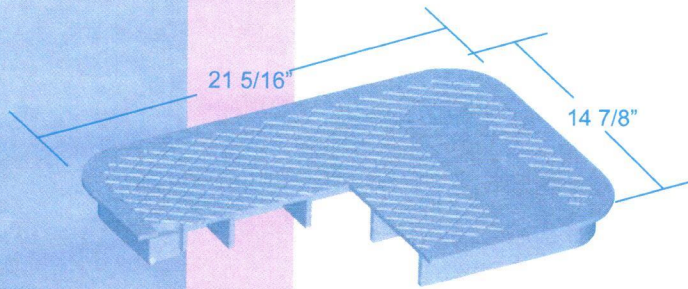
RECTANGULAR VALVE BOX



QUALITY BY DESIGN



RECTANGULAR VALVE BOX



Use as an extension on 12" deep box for a total of 18" depth

BOX & LID COMBOS

| BOX | COLOR | | PART NUMBER |
|--------|--------|--------|-------------|
| | BOX | LID | |
| BLACK | GREEN | GREEN | 150-X |
| GREEN | GREEN | GREEN | 151-X |
| TAN | TAN | TAN | 152-X |
| PURPLE | PURPLE | PURPLE | 153-X |
| BLACK | BLACK | BLACK | 154-X |
| GREY | GREY | GREY | 155-X |

SEPARATES

| COLOR | LID | BODY |
|--------|----------|----------|
| | PART NO. | PART NO. |
| GREEN | T151 | B151-X |
| TAN | T152 | B152-X |
| PURPLE | T153 | B153-X |
| BLACK | T154 | B154-X |
| GREY | T155 | B155-X |

LID ENGRAVING

All lids are shipped engraved with: "IRRIGATION CONTROL VALVE" unless ordered as follows:

| Designation: | Body & Lid | Lid |
|--------------------|------------|--------|
| TELEPHONE | 15_-X-T | T15_-T |
| ELECTRIC JUNCTION | 15_-X-E | T15_-E |
| LOW VOLTAGE | | |
| LANDSCAPE LIGHTING | 15_-X-L | T15_-L |

ORDER EXAMPLE: To order a Green box/lid combo engraved with "TELEPHONE" you would select "151-X-T" or for a black lid only you would select "T154-T"

Shipping:

Standard Pallet = 28 pcs

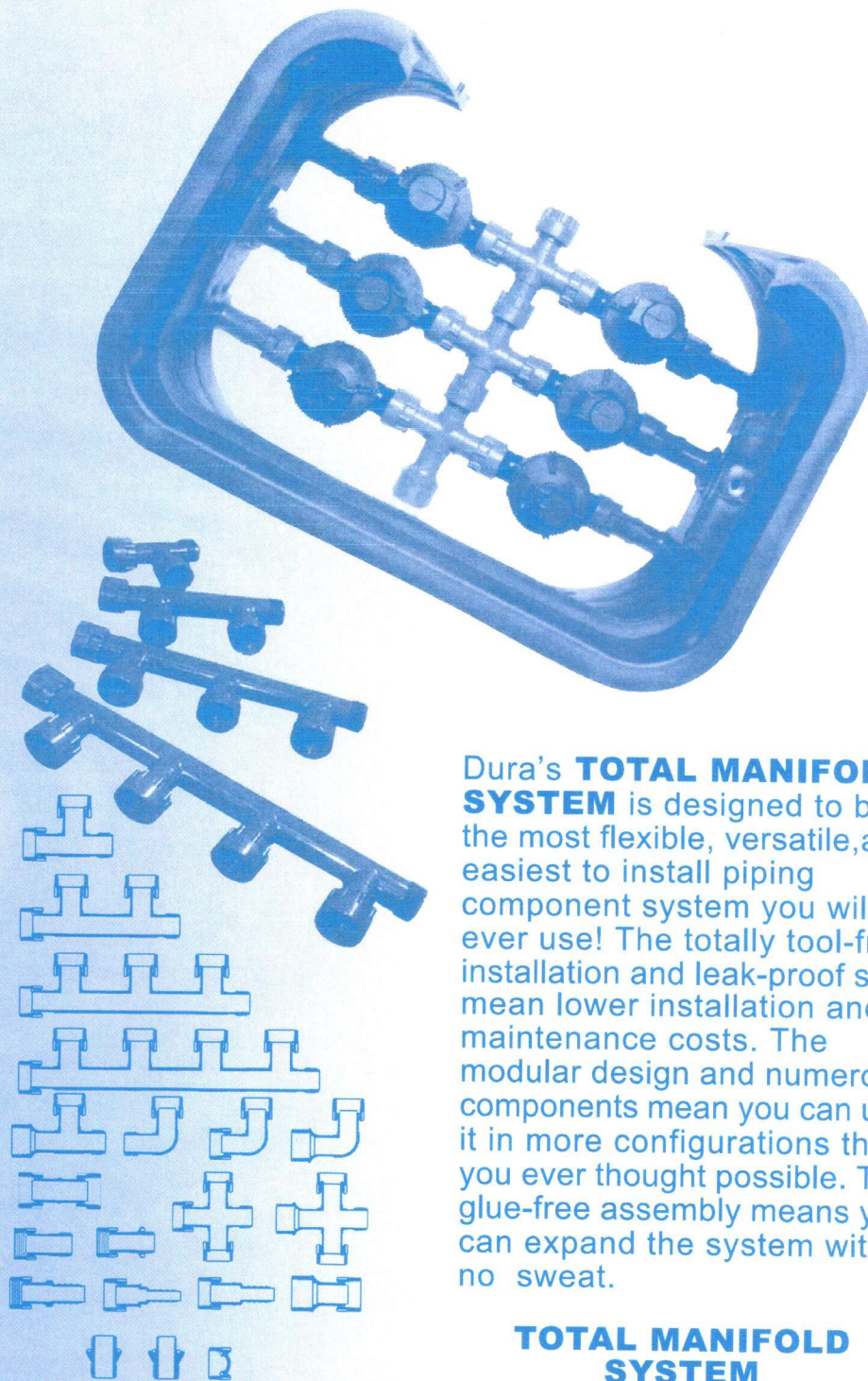
Ask your rep how you can save money by buying container loads direct.

| | | |
|--------------|------------|-------------------|
| 20 Container | 18 Pallets | 24 pcs per pallet |
| 40 Container | 40 Pallets | 28 pcs per pallet |

FOR USE IN NON-VEHICULAR TRAFFIC AREAS. WEIGHTS AND DIMENSIONS MAY VARY.



QUALITY BY
DESIGN



Dura's **TOTAL MANIFOLD SYSTEM** is designed to be the most flexible, versatile, and easiest to install piping component system you will ever use! The totally tool-free installation and leak-proof seal mean lower installation and maintenance costs. The modular design and numerous components mean you can use it in more configurations than you ever thought possible. The glue-free assembly means you can expand the system with no sweat.

TOTAL MANIFOLD SYSTEM

So easy to install, it's almost a religious experience!

Check out the entire **TOTAL MANIFOLD SYSTEM** in Dura's **SPECIAL PIPING COMPONENTS CATALOG!** It's a perfect match with **DURA Valve Boxes!**

**TOTAL
MANIFOLD
SYSTEM**

CONDITIONS OF SALE

Acceptance

All orders are subject to acceptance at home office.

Contract

This document reflects the entire agreement between Buyer and Seller and constitutes a contract of sale accepted by Seller's facility.

Prices

All prices are F.O.B. Seller's location, ~~Riverside, California~~ (plus sales tax where applicable). Unless provision to the contrary appears on the face of the order, title to all goods purchased under this order, as well as risk of loss thereto, shall pass to the Buyer upon delivery to a carrier.

Prices Subject to Change Without Notice

Returned Goods

No merchandise may be returned without prior written approval. All returned goods will incur a 25% restocking fee and the Buyer will pay return freight charges. Special ordered items are non-returnable.

Costs

In the event the Buyer breaches any express or implied terms and/or conditions contained herein, Buyer covenants and agrees to pay reasonable attorney(s) fees and costs incurred by Seller in the enforcement of said terms.

Cancellation

Cancellation requests must be received at Seller's facility prior to shipment. Items of special manufacture and large orders beyond normal purchase may not be cancelled. If such orders are canceled, Buyer must have written authorization from Seller.

Payment Terms

C.O.D., credit cards, open billing o.a.c., wire transfer or letters of credit.

Freight

Prepaid on domestic orders over minimum. Collect or prepay and bill on international orders,

Warranties

All manufactured products are guaranteed for a period of one year after delivery against defects resulting from faulty workmanship or materials. If any such product is found to be defective by reason of faulty workmanship or materials, upon written notice and authorized return of the product, the defective product will be replaced by Seller free of charge, including shipping charges for the replacement product.

Claims for labor costs and other expenses required to replace such defective product or to repair any damage resulting from the use thereof will not be allowed by Seller. Seller's liability is limited to the price paid for the defective product or the replacement of said part. In no event shall Seller be liable for consequential damages.

Shortages

Here at Connector Kings we make every effort to ensure your order ships complete and on time. However, once an order has been shipped it is then consigned to a shipping company, and is in their control. When you receive your shipment, it is your responsibility to check the order and sign for the correct number of boxes. Should there be a shortage at the time of delivery, notation must be made with the Carrier and Connector Kings. Your signature indicates you received the number of boxes the Carrier said he delivered. Please check your materials upon delivery. Connector Kings cannot assume responsibility for shortages that are signed for as being received by our customers.



**CONNECTOR
KINGS CORP.®**
