



U-Star's Glass Merchandiser Refrigerators are a great way to display cold drinks, food and any other grab n' go items that are sold in your establishment. These units are perfect for convenience stores, delis, markets and so much more. With their anti-fogging glass and illuminated interior, the products inside will always be highly visible to your shoppers. The self closing door ensures the internal temperature stays at the desired temperature no matter how many times they are being opened. These units come standard with plastic coated steel shelves that are easily adjustable and a front mounted LED temperature display. These models are ETL Listed and ETL Sanitation. They are backed with a 1 year warranty on parts and labor and a 5 year warranty on the compressor.

Product Features

- Coated steel exterior
- Painted aluminum interior with stainless steel floor
- Environmentally-friendly R290 refrigerant
- Self closing door
- Foamed-in-place polyurethane high density cell insulation throughout the entire cabinet
- Illuminated bright interior lights for greater visibility
- Front mounted LED temperature display
- Removable door gasket for easy cleaning



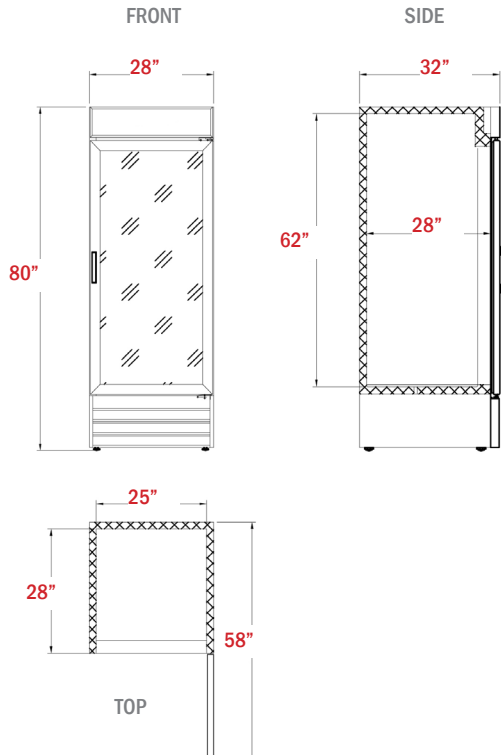
Specifications



Model Number	USRFS-1D/B	USRFS-1D/W	USRFS-2D/B	USRFS-2D/W	USRFS-2DS/B	USRFS-2DS/W
Color	Black	White	Black	White	Black	White
Doors	1	1	2	2	2	2
Net Volume Cu. Ft.	24 Cu. Ft	24 Cu. Ft	47 Cu. Ft	47 Cu. Ft	27 Cu. Ft	27 Cu. Ft
Shelves	4	4	8	8	8	8
Overall Dimensions (in)	28" x 32" x 80"	28" x 32" x 80"	53" x 32" x 80"	53" x 32" x 80"	48" x 32" x 80"	48" x 32" x 80"
Interior Dimensions (in)	25" x 28" x 63"	25" x 28" x 63"	50" x 28" x 63"	50" x 28" x 63"	43" x 19" x 55"	43" x 19" x 55"
Refrigerant	R290	R290	R290	R290	R290	R290
Horsepower	1/5	1/5	1/4	1/4	1/4	1/4
Voltage/Hertz/Amps	115/60/1	115/60/1	115/60/1	115/60/1	115/60/1	115/60/1
Amps	3	3	4.5	4.5	4.8	4.8
Net Weight (lbs)	293 lbs	293 lbs	485 lbs	485 lbs	536 lbs	536 lbs
Gross Weight (lbs)	337 lbs	337 lbs	529 lbs	529 lbs	580 lbs	580 lbs
Shipping Dimensions (in)	30" x 35" x 85"	30" x 35" x 85"	54" x 33" x 84"	54" x 33" x 84"	50" x 29" x 87"	50" x 29" x 87"

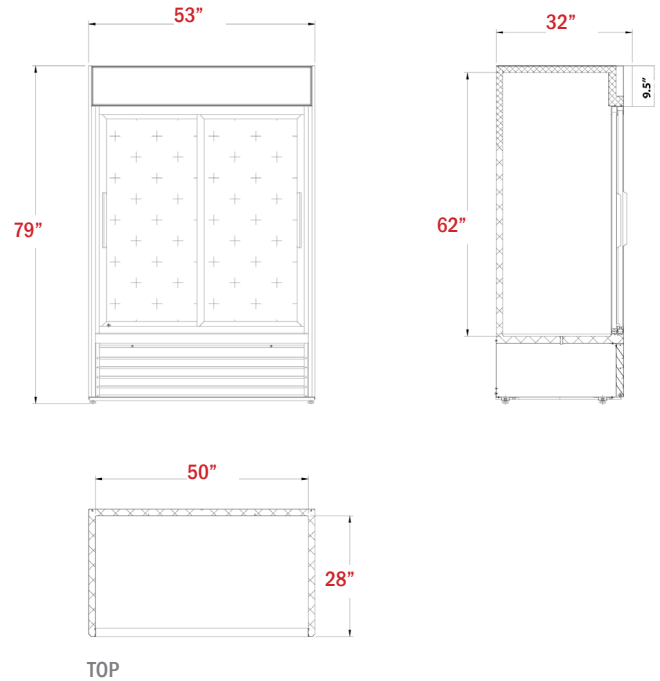
Plan Views

USRFS-1D



FRONT

SIDE



USRFS-2D

Features

Refrigeration System

- Refrigeration units use environmentally friendly R290 refrigerant
- Bottom mounted cooling unit slides out for easy cleaning and maintenance and allows for storage area on top of the unit
- Maintain a temperature range of 32° -41° F
- Rugged built axial evaporator fans run efficiently with low velocity and high volume air flow

Electrical Control

- Front LED temperature display for easy viewing of internal temperature
- Temperature controller initiates automatic defrost schedule for worry free use
- 7 foot power cord with NEMA 5-15 plug



Cabinet Construction

- Black coated steel exterior for a sleek appearance
- Painted aluminum liner interior allows for easy cleaning
- The cabinet is insulated throughout with a foamed-in-place high density cell polyurethane insulation

Door(s)

- Large glass doors that provide high visibility with anit-fogging.
- Positive self-closing doors with microswitch that shuts the evaporator fans off when the door is open
- Self closing door keeps the cold air in and helps keep internal temperature at a consistent level
- Removable door gasket for easy cleaning

Shelving

- Adjustable plastic coated steel shelves that have a load capacity of up to 90 lbs per shelf

Model Features

- Interior lighting provides greater visibility for merchandising
- Colorful, lighted graphics on top of the unit helps to draw in customers