

## TF Ultra™ TouchFREE Dispenser

### PRODUCT DESCRIPTION

Attractively designed, power efficient touch-free dispensing system for use with SC Johnson Professional foaming hand hygiene products.

### WHERE TO USE

Suitable for use in any public facility washroom. Also, ideal for use in hallways, office and reception / lobby areas in conjunction with InstantFOAM™ hand sanitizer and dispenser stand.

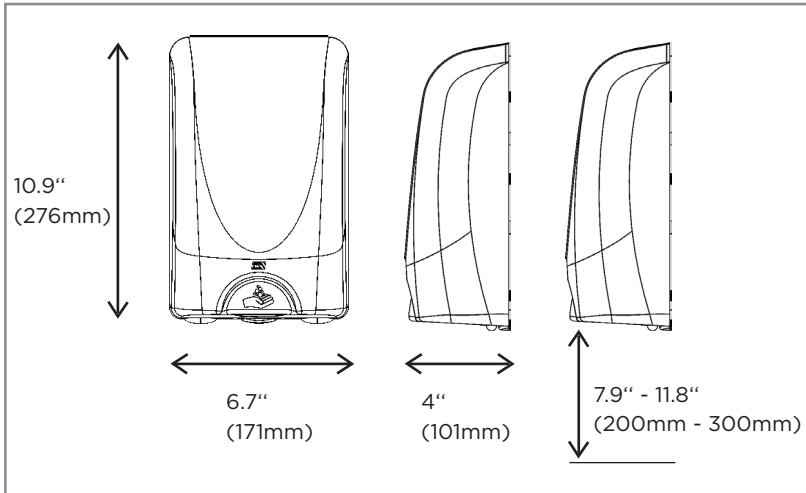
### METHOD OF USE

Simply hold hand under dispenser to activate. No touch required.



FEATURES	BENEFITS
'Touch-Free' Dispenser	Encourages use and minimizes any risk of cross-contamination.
Versatile	Can be used on walls in washrooms, corridors and hallways or on SC Johnson Professional's free-standing stand.
Exceptionally Long Battery Life	The power provided by 4 D-Cell batteries will provide up to 5 years of operation in typical usage conditions.
Reliable	Uses the latest infra-red sensing technology for reliable operation to prevent misfiring; tolerant to skin color, temperature, ambient light and humidity.
Robust and Long-Life	Dispensers are guaranteed against normal wear and tear, subject to correct installation, usage and dispenser care.
Large Capacity	Cartridges contain 1.2L of SC Johnson Professional foam soap or non-alcohol sanitizer providing approximately 1700 applications, and 1L of SC Johnson Professional foam alcohol hand sanitizer providing approximately 1400 applications.
Fixed Product Dose	Delivers the exact amount required, controlling usage and reducing waste.
Color Options	Available in a range of colors to match different decor environments.
Unique Locking Mechanism	Helps prevent unauthorized access, pilferage and product contamination. The dispenser can be converted to open with a release button (included) for ease of access.
Simple Cartridge Replacement	Designed for exclusive use with SC Johnson Professional skin care system products to enable cartridges to be replaced in seconds, reducing maintenance time and costs.
Hygienic, Airless Cartridge	The ultrasonically sealed cartridge and pump mechanisms prevent the ingress of air into the cartridge during use to help prevent product contamination and ensure 'fresh' product is dispensed every time.
Minimal Waste	The air-tight cartridges are designed to collapse to minimize product waste.
Compact and ADA Compliant	Extends less than 4 inches from the wall as required for all ingress and egress locations, reducing the impact on the environment where it is located.

# TF Ultra™ TouchFREE Dispenser



## DIMENSIONS

- 6.7" wide x 4.0" deep x 10.9" high
- Gross weight: 6.4lb (complete with batteries and cartridge)
- Ensure unit is located with appropriate space to each side and below

- The unit can be used with an integrated catch tray (sold separately). The catch tray must be fitted to the dispenser before installation.
- Requires the use of 4 high quality Alkaline D-Cell batteries to maximize units operating time
- Fully ADA compliant
- DO clean with a damp cloth
- DO NOT hose down or spray with water
- DO NOT use abrasive cleaners
- DO NOT use solvent-based cleaners
- DO NOT use caustic or acid-based cleaners
- DO NOT expose the unit to direct sunlight, UV can damage its high quality finish
- DO NOT expose the unit to extreme temperatures above 104°F or below 40°F

## PACK SIZES

STOCK CODE	DISPENSER	COLOR	CASE QTY	CARTRIDGE CAPACITY	TO USE WITH
TF2CHR	TouchFREE Ultra	Black & Chrome	8	1 Liter / 1.2 Liter	CLR120TF, AZU120TF, RFW120TF, AGB120TF, ANT120TF, IFC1TF, AFS120TF
TF2BLK	TouchFREE Ultra	Black	8	1 Liter / 1.2 Liter	
TF2CLR	TouchFREE Ultra	Transparent Clear	8	1 Liter / 1.2 Liter	
TF2WHI	TouchFREE Ultra	White	8	1 Liter / 1.2 Liter	
AUTOINFCO	InstantFOAM™	White	8	1 Liter / 1.2 Liter	AFS120TF, IFC1TF

SC Johnson Professional  
2815 Coliseum Centre Dr. #600  
Charlotte, North Carolina, 28217  
Telephone: 800 248 7190  
www.scjp.com

This information and all further technical advice is based upon our present knowledge and experience. However, it implies no liability or other legal responsibility on our part, including with regard to existing third party intellectual property rights, especially patent rights. In particular, no warranty, whether express or implied, or guarantee of product properties in the legal sense is intended or implied. We reserve the right to make any changes according to technological progress or further developments.

**SC Johnson**  
**PROFESSIONAL®**  
A Family Company™