

# NEO® 140/190 Undercounter Ice Machines

## Models

 URF-0140A  
 UDF-0140A

 UYF-0140A

 UDF-0190A  
 UYF-0190A


U-140 / U-190

- Ranging from 137 lbs. (62 kg) to 198 lbs. (90 kg) daily ice production.
  - Only 26" (66.04 cm) wide, 28.50" (72.4 cm) deep, and 38.50" (97.8 cm) high on 6" (15.24 cm) legs.
  - Cabinet volume 3.037 ft<sup>3</sup> (0.086 m<sup>3</sup>).
  - 90 lb. (40.0 Kg) ice storage capacity\*.
- \* Application capacity based on: 90% volume x 33lbs/ft<sup>3</sup> average density of ice.

NEO undercounter ice machines are designed to provide ice right where you need it – within reach. Improvements in **Performance**, **Intelligence** and **Convenience** make your ice machine easy to own and less expensive to operate.

**Performance** – NEO produces more ice than ever before while using less water and energy. The storage bin provides industry leading capacity.

**Intelligence** – NEO provides feedback with full bin and service indicators. Delay function allows you to pause your machine for slow periods or days when you're closed.

**Convenience** – NEO offers a forward-sliding storage bin for easy access to refrigeration components without having to move the entire ice machine. Smooth, sealed food-zone with removable water trough, distribution tube, and damper door for faster cleaning. AlphaSan added to key internal components.

Available **LuminIce® Growth Inhibitor** extends cleaning intervals by reducing yeast and bacteria growth keeping your ice machine cleaner, longer.

## Specifications

### BTU Per Hour:

U-140: 2,150 (average)  
2,600 (peak)

U-190: 2,150 (average)  
2,600 (peak)

### Compressor:

Nominal rating: .42 HP

### Refrigerant:

R-404A

### Operating Limits:

• Ambient Temperature Range:  
40° to 110°F (4.4° to 43.3°C)

• Water Temperature Range:  
45° to 90°F (4.4° to 32.2°C)

• Water Pressure Ice Maker  
Water In:  
Min. 20 psi (137.9 kPa)  
Max. 80 psi (551.1 kPa)



## Ice Shape



### Half Dice

3/8" x 1 1/8" x 7/8"  
(.95 x 2.86 x 2.22 cm)



### Dice

7/8" x 7/8" x 7/8"  
(2.22 x 2.22 x 2.22 cm)



### Regular

1 1/8" x 1 1/8" x 7/8"  
(2.86 x 2.86 x 2.22 cm)

## Ice Machine Electric

115/60/1. (208-230/60/1 and 230/50/1 available.) 115/60/1 ice machines are factory pre-wired with a 6' (180 cm) power cord and NEMA 5-15P-plug configuration. 208-230/60/1 ice machines are factory pre-wired with a 6' (180 cm) power cord only, no plug is supplied.

### Total Amps:

U-140: 115/60/1: Air-cooled: 5 amps  
208-230/60/1: Air-cooled: 2.5 amps

U-190: 115/60/1: Air-cooled: 6 amps  
208-230/60/1: Air-cooled: 3 amps

### Maximum fuse size:

Air-cooled: 15 amps

HACR-type circuit breakers can be used in place of fuses.



UL STD 563  
CAN/CSA-C22.2 No. 120

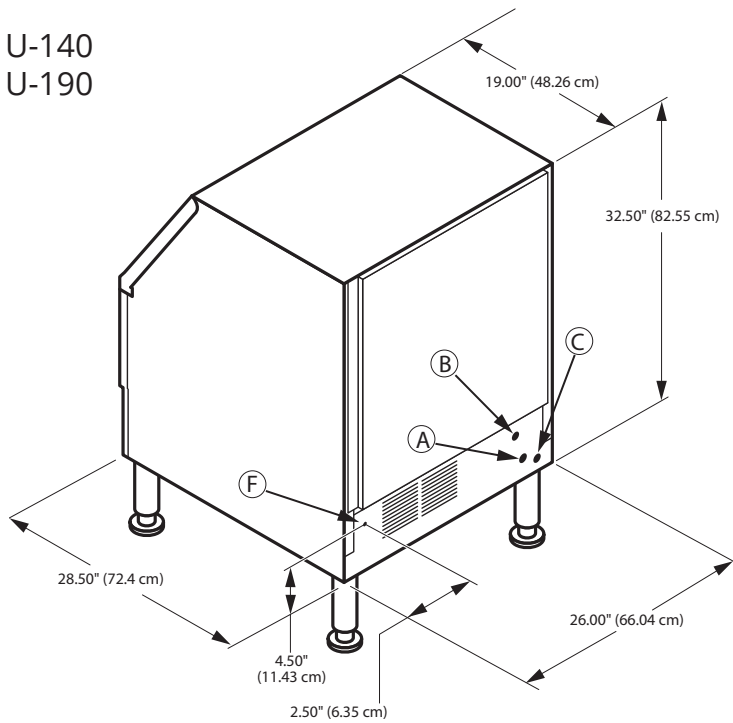


SANITATION  
NSF/ANSI STD 12



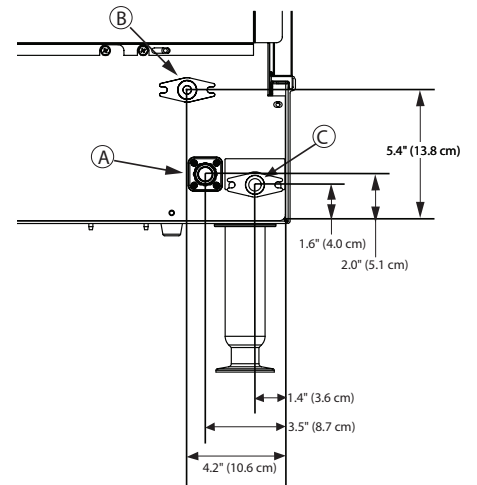


U-140  
U-190



**Installation Note** Recommended clearance for top, sides, and back is 5" (12.7 cm) however, there is no minimum clearance required.

- Ⓐ 3/8" (0.95 cm) F.P.T. Ice Making Water Inlet
- Ⓑ 1/2" (1.27 cm) F.P.T. Ice Making Water Drain
- Ⓒ 1/2" (1.27 cm) F.P.T. Bin Drain
- Ⓕ Electrical Entrance

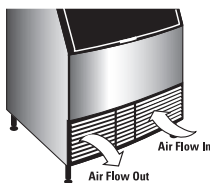


### Specifications

Model	Ice Shape	Ice Production 24 Hours				Power kWh/ 100 lbs. @ 90°/70°F 32°/21°C	Potable water usage gal/100 lbs. ice @90/70 °F
		70°Air/50°F Water 21°Air/10°C Water	90°Air/70°F Water 32°Air/21°C Water				
URF-0140A	regular	127 lbs	58 kg	95 lbs	43 kg	9.6	16.7
UDF-0140A	dice	135 lbs	61 kg	95 lbs	43 kg	9.8	16.7
UYF-0140A	half-dice	137 lbs	62 kg	100 lbs	45 kg	9.2	16.7
UDF-0190A	dice	198 lbs	90 kg	140 lbs	64 kg	8.4	23.9
UYF-0190A	half-dice	193 lbs	88 kg	140 lbs	64 kg	8.3	21.6

Standard 6" / 15.24 cm adjustable flange foot - gray painted legs included.  
Standard plastic NEO ice scoop included.

#### Air Flow



Air in right, air out left, no side vents. Great for installation under countertops and next to other equipment.

#### Removable Bin



#### Air Filter



Simple, tool-free removal for quick access during routine cleaning and maintenance.

Welbilt reserves the right to make changes to the design or specifications without prior notice. ©2018 Manitowoc