

ADCRAFT®



HD-26, HD-36, HD-48 Heated Displays

This manual contains important information regarding your *Admiral Craft* unit. Please read this manual thoroughly prior to equipment set-up, operation and maintenance. Failure to comply with regular maintenance guidelines outlined in this manual may void the warranty. MUST READ!!!

WARNINGS

- Fire, injury or death hazard – have this unit installed by a qualified installer in accordance with all deferral, state and local codes. Failure to install this equipment properly can result in injury or death.
- Fire hazard – this unit is designed to be used with legs. Do not use without legs installed. Use of this equipment without legs can cause the unit to overheat and cause a fire.
- Fire and burn hazard – fire and burn injuries can occur if this equipment is not used properly. To reduce the risk of injury or death:
 - Do not touch any hot surfaces
 - Plug only into a 3-hole grounded electrical outlet
 - Do not immerse unit, cord or plug in liquid at any time
 - Unplug cord from outlet when not in use and before cleaning
 - Do not operate unattended
 - Do not use this unit for anything other than intended use
 - Do not use outdoors
 - Always use on a firm, dry and level surface at least 12” from walls or any other obstruction
 - Do not use if unit has a damaged cord or plug, in the event the appliance malfunctions, or has been damaged in any manner
 - Keep children and animals away from unit
 - Any incorrect installation, alterations, adjustments and/or improper maintenance can lead to property loss and injury. All repairs should be done by authorized professionals only
 - Ensure that the designated power supply is adequate for continual usage and the voltage is correct

****This unit is intended to be used as a merchandiser for hot food in commercial food service operations only. It is not intended for household use.***

TO INSTALL

1. Remove all packing material and tape, as well as any protective plastic or tape
2. Clean off any glue or tape residue
3. Place the unit in the desired position and level using the included adjustable feet
4. Installing doors: Note the longer doors are for the front or sloped side and the shorter doors are for the back or straight side. The doors are fitted with the handles facing outside of the unit. Place the top of the door into the top track and slide the door up to clear and lower into the bottom track.
5. Installing shelves: Place the uprights into the provided slots. Make sure that the longer tab is on top and the flat sides face inwards. Place the shelf supports at the desired locations and position the shelf on these supports.
NOTE: The shelf supports and shelves can be positioned level or sloping forward for improved presentation.
6. Plug the unit into a properly grounded electrical supply that matches the data plate rating. Damage to the unit may occur if incorrect power is supplied to the unit.

TO USE

1. Set the thermostat to the desired heat
2. Preheat the unit for approximately 15 minutes, until the unit reaches the set temperature. The pilot light will cycle on and off when the unit has reached the set temperature.
3. Use the toggle switch to operate the light
4. If moisture is required, fill the humidity pan with 20 ounces of water and monitor the water level

CLEANING – NOTE: To maintain cleanliness and increase service life, the oven should be cleaned daily. Do not immerse the unit in water or any other liquid. If liquid enters the electrical compartment it may cause a short circuit or electrical shock

1. Unplug the unit and allow to cool completely before cleaning
2. Using a damp cloth or sponge dipped in soapy water, carefully
3. Wipe the unit dry and wait at least a half hour before using the unit.

Heated Display Merchandiser Assembly Instructions

HD-26 model pictured in instructions. These instructions are for the HD-26, HD-36 and HD-48 models.

Step 1

With the back of the unit facing you, un-screw both screws located under the top cover of the unit.



Step 4

Repeat step 3 for the other side glass.



Step 2

Remove the top cover and set aside.



Step 5

Put top cover back on and tighten screws (leave a little loose for fitting the front glass pieces in).



Step 3

Loosen the bottom screws located on the side. Do not take the screws out all the way. Slide the glass between the posts and when properly aligned tighten the screws.



Step 6

Insert the top of the front left glass into the top inner slot. Then place the bottom of the front left glass into the bottom inner slot. If need be, lift up the top cover a bit to fit glass in under. Remember to hold onto side glass pieces so they don't fall out.



Heated Display Merchandiser Assembly Instructions

HD-26 model pictured in instructions. These instructions are for the HD-26, HD-36 and HD-48 models.

Step 7

Insert the top of the front right glass into the top outer slot. Then place the bottom of the front left glass into the bottom outer slot. Turn unit around once front glass is in place and with the rear of the unit facing you, put in shelf adjustment bars to desired height. Insert shelves.



Step 9

Insert the top of the rear right glass into the top inner slot. Then place the bottom of the rear right glass into the bottom inner slot. Tighten inside top cover screws.



HD-26



HD-36



HD-48

Step 8

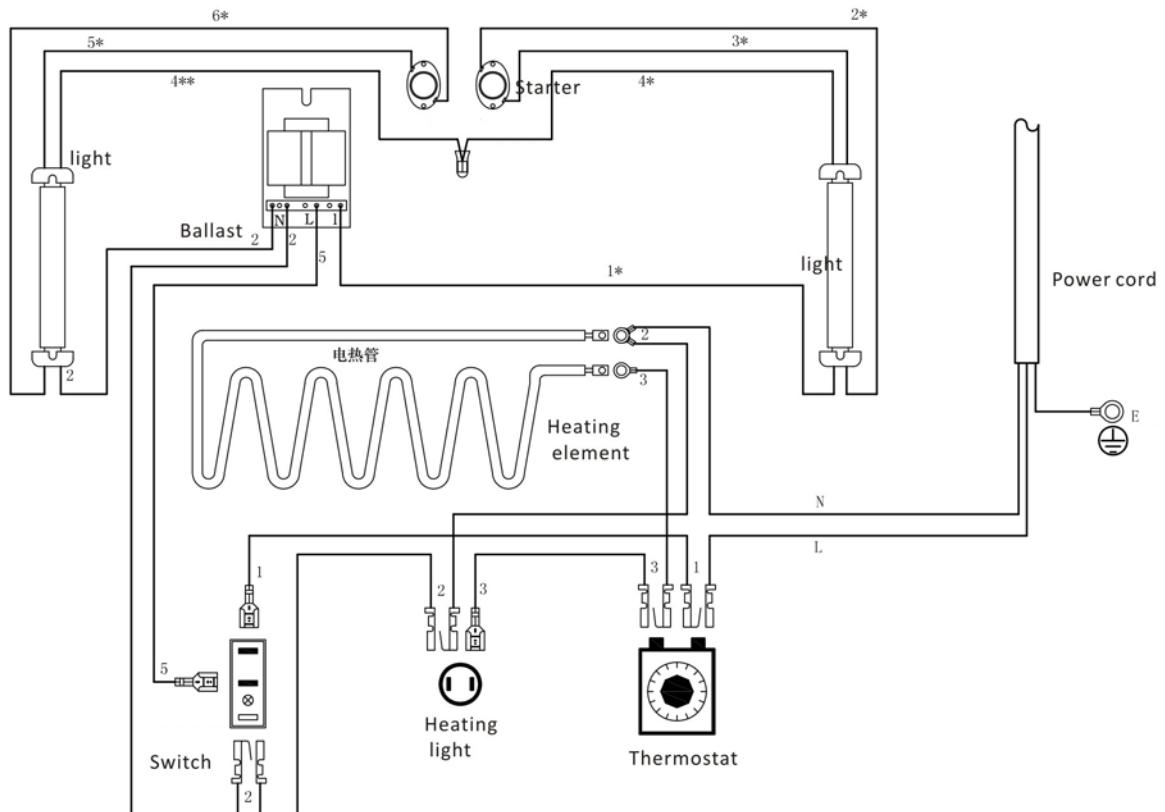
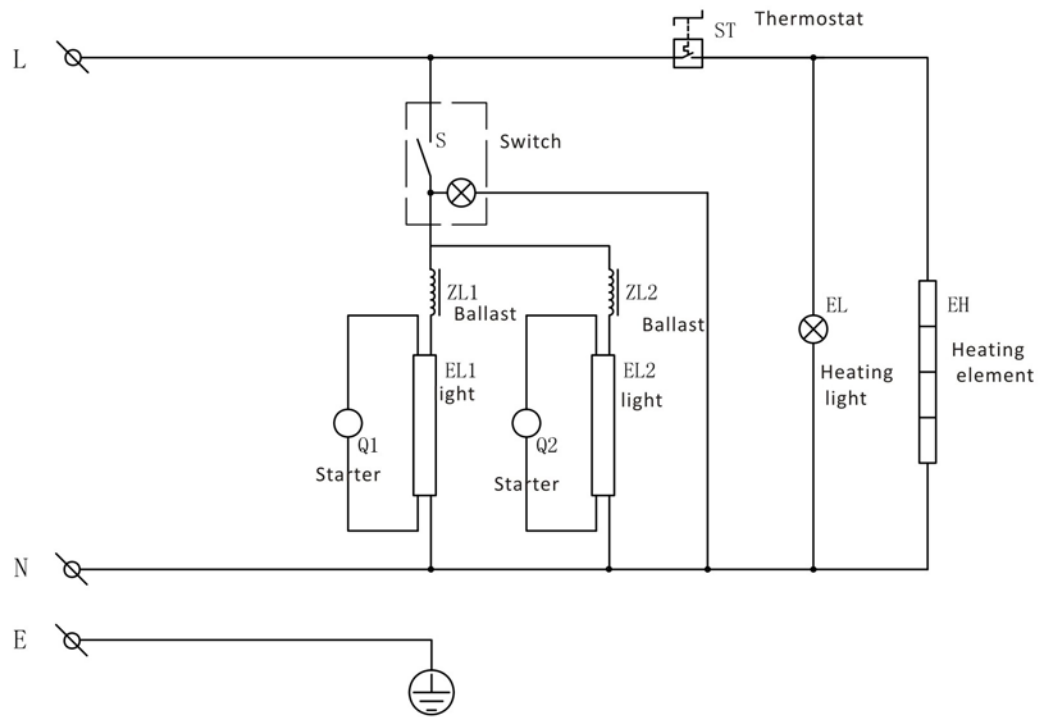
Insert the top of the rear left glass into the top inner slot. Then place the bottom of the rear left glass into the bottom inner slot.



ADCRAFT®

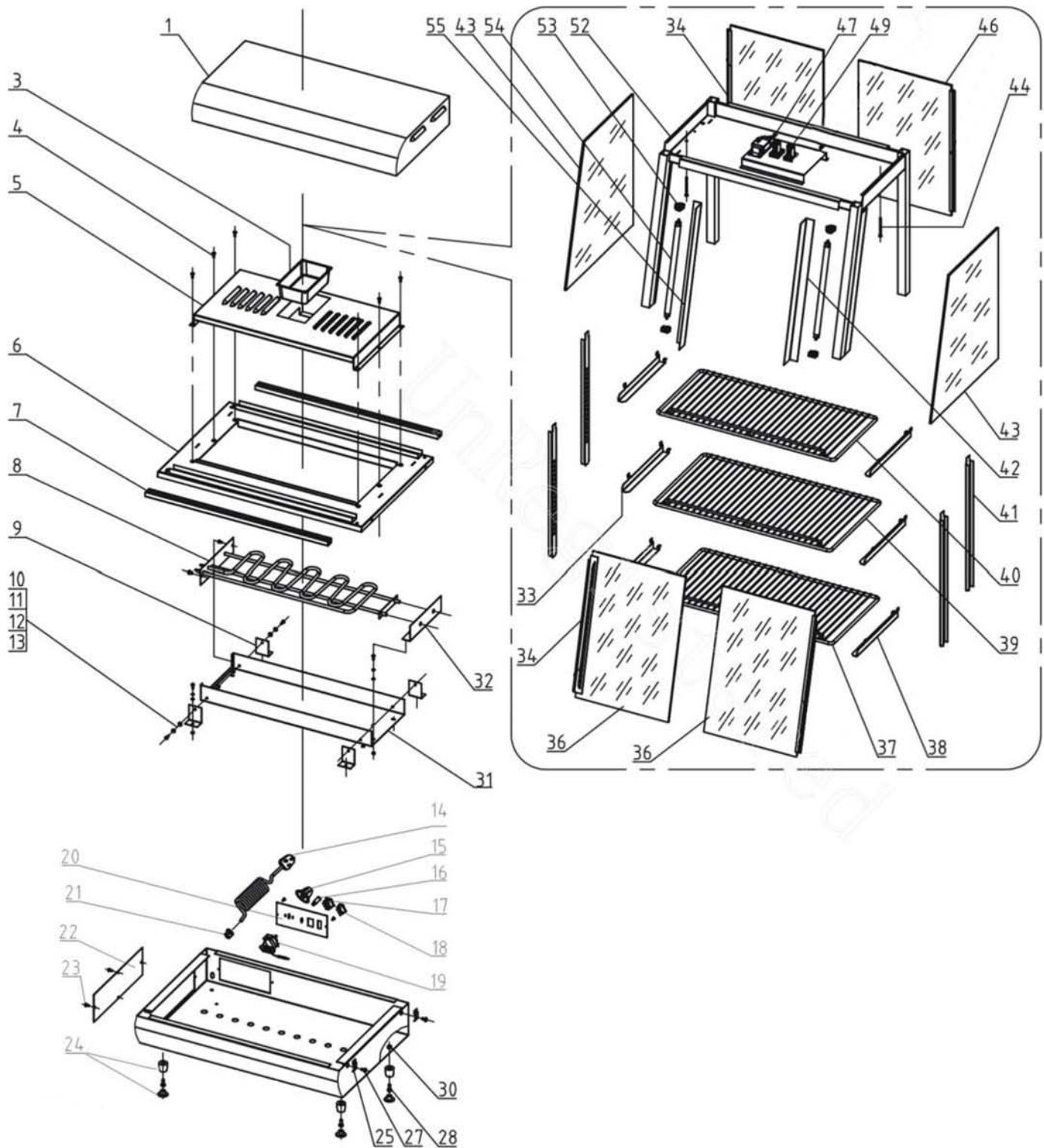
Heated Display Circuit Diagram

HD-26, HD-36, HD-48



HD-26, HD-36, HD-48

Parts Diagram



Heated Displays - HD-26, HD-36, HD-48

Reference Number	Part Number HD-26	Part Number HD-36	Part Number HD-48	Description
1	-	-	-	Top Plate
3	200N2	200N2	200N2	Steam Pan
4	-	-	-	Screw M5x16
5	-	-	-	Protective Plate for Element
6	-	-	-	Level Plate
7	-	-	-	Slide Groove
8	HD26-8	HD36-8	HD48-8	Element
9	-	-	-	Support for Element
10	-	-	-	Screw M4x12
11	-	-	-	Flat Washer
12	-	-	-	Spring Washer
13	-	-	-	Nut
14	HD-14	HD-14	HD-14	Power Cord and Strain Relief
15	HD-15	HD-15	HD-15	Knob
16	HD-16	HD-16	HD-16	Hot Light indicator -Orange
17	HD-17	HD-17	HD-17	Power Switch - Green
18	HD-18	HD-18	HD-18	Lamp Switch
19	HD-19	HD-19	HD-19	Thermostat - EGO
20	HD-20	HD-20	HD-20	Control Plate
22	HD-22	HD-22	HD-22	Side Plate
23	-	-	-	Screw M4x12
24	HD-24	HD-24	HD-24	Foot with Rubber Insert
25	HD-25	HD-25	HD-25	Clips for Glass
27	-	-	-	Screw M5x10
28	-	-	-	Screw M6x20
30	-	-	-	Nut
31	-	-	-	Element Support Plate
32	-	-	-	Element Assembly Plate
33	HD-33	HD-33	HD-33	Support Rack (Left)
34	HD26-34	HD36-34	HD48-34	Gasket
36	HD26-36	HD36-36	HD48-36	Front Glass
37	HD26-37	HD36-37	HD48-37	Bottom shelf
38	HD-38	HD-38	HD-38	Support Rack (Right)
39	HD26-39	HD36-39	HD48-39	Middle Shelf
40	HD26-40	HD36-40	HD48-40	Top Shelf
41	HD26-41	HD36-41	HD48-41	Vertical Post
42	-	-	-	Angle Post for Lamp (Left)
43	HD26-43	HD36-43	HD48-43	Side Glass
44	-	-	-	Screw
46	HD26-46	HD36-46	HD48-46	Back Glass
47	HD-47	HD-47	HD-47	Transformer
49	HD-49	HD-49	HD-49	Starter
52	-	-	-	Body Rack
53	HD-53	HD-53	HD-53	Lamp Base
54	HD-54	HD-54	HD-54	Lamp
55	-	-	-	Angle Post for Lamp (Right)

VER811

ACE Equipment One Year Limited Warranty

Admiral Craft Equipment Corp. (ACE) warrants its equipment against defects in materials and workmanship, subject to the following conditions:

ACE Equipment is warranted for one year, effective from the date of purchase by the original owner. A copy of the original receipt or other proof of purchase is required to obtain warranty coverage. This warranty applies to the original owner only, and is not assignable.

Should any product fail to function in its intended manner under normal use within the limits defined in this warranty, at ACE's discretion, such product will be repaired, replaced with a refurbished unit, or replaced with a new unit by ACE, after defective unit has been inspected and defect has been confirmed. ACE does not assume any liability for extended delays in replacing any item beyond its control. This warranty does not apply to rubber and non-metallic synthetic parts that may need to be replaced due to normal usage, wear or lack of preventative maintenance.

This warranty covers products shipped into the 48 contiguous United States, Hawaii, and metropolitan areas of Alaska and Canada. Warranty coverage on products used outside the 48 contiguous United States, Hawaii and metropolitan areas of Alaska and Canada may vary. Contact ACE for details at 1-800-223-7750

The following conditions are not covered by warranty:

- Equipment failure relating to improper installation, improper utility connection or supply and problems due to improper ventilation.
- Equipment that has not properly been maintained, damage from improper cleaning, and water damage to controls.
- Equipment that has not been used in an appropriate manner, or has been subject to misuse, neglect, abuse, accident, alteration, negligence, damage during transit, delivery or installation, fire, flood, riot, or act of God.
- Equipment that has the model number or serial number removed or altered.
- Equipment on which the security seal has been broken.

If the equipment has been changed, altered, modified, or repaired without express written permission from ACE, then the manufacturer shall not be liable for any damages to any person or to any property, which may result from the use of this equipment thereafter.

This equipment is intended for commercial use only and this warranty is void if equipment is used in other than a commercial application.

For warranty and non-warranty related issues please call ACE at 1-800-223-7750 ext 3 to speak to technical support. When calling please have your model number, serial number and proof of purchase ready. To purchase replacement parts, receive online technical support or fill out a warranty claim visit www.admiralcraftequipment.com. It is not necessary to contact the place where you originally purchased your product from.

“THE FOREGOING WARRANTY IS IN LIEU OF ANY AND ALL WARRANTIES EXPRESSED OR IMPLIED INCLUDING ANY IMPLIED WARRANTY OF MERCHANTABILITY OR FITNESS FOR PARTICULAR PURPOSES AND CONSTITUTES THE ENTIRE LIABILITY OF ACE. IN NO EVENT DOES THE LIMITED WARRANTY EXTEND BEYOND THE TERMS STATED HEREIN.”