



## Medium Volume Amana® Commercial Microwave RCS Series

### Power Output

- 1000 watts of power

### Available with Touch or Dial Controls

- **Touch controls:**
  - 100 programmable menu items simplifies cooking
  - 5 power levels and 4 cooking stages for cooking flexibility
  - Multiple quantity pad calculates the proper cooking times for multiple portions
- **Dial Controls:**
  - Timer automatically resets to zero if door is opened during heating
  - 10 minute dial timer lights up for "at-a-glance" monitoring
  - 4 power levels

### Easy to Use

- See-through door and lighted interior for monitoring without opening the door
- 1.2 cubic ft. (34 liter) capacity accommodates a 14" (356 mm) platter, prepackaged foods and single servings

### Easy to Maintain

- Stainless steel exterior and interior for easy cleaning and a professional look.
- Non-removable air filter protects oven components.
- Interior borosilicate tray is sealed and recessed to reduce plate-to-shelf edge impact and keep spills contained
- Constructed to withstand the foodservice environment, multiple users and variable ambient temperatures

### Optional Accessories

- Cavity shelf (SE10)
- Non-stick baskets (TB10/S, SB10/S, MB10S, NB10, OB10)

### Service

All products are backed by the ACP, Inc.  
24/7 ComServ Support Center

### Warranty

Warranty Certificate for this product can be found on the ACP, Inc. website at [www.acpsolutions.com/warranty](http://www.acpsolutions.com/warranty)

### Safety and Sanitation

This ACP, Inc. product meets and exceeds safety and sanitation standards set for commercial microwave ovens by UL, ETL, NSF, CSA, and FDA.



### Restaurant Line | Medium Volume This category of microwave oven is ideal for...

#### Applications

- Server Stations
- Convenience Stores
- Concessions
- Coffee shops
- Breakrooms
- Vending

#### Boost heats and re-therms foods in seconds

- Breakfast sandwich reheats in 1:00
- Stage cooking perfectly prepares instant oatmeal in 1:30

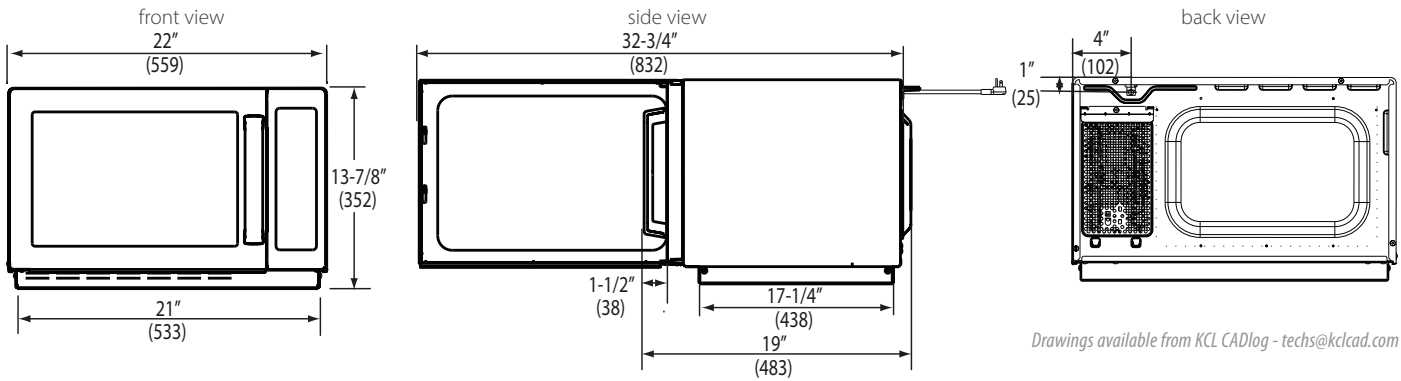
#### Defrost:

- Defrosts most frozen food products

All ACP, Inc. commercial ovens are supported by our Culinary Center. Do not hesitate to contact us for any questions regarding food preparation, menu development and cooking times: [testkitchen@acpsolutions.com](mailto:testkitchen@acpsolutions.com)



# Amana® Commercial Microwave RCS Series | Medium Volume



## Dimensions

<b>Exterior</b>	H 13 7/8" (352)	W 22" (559)	D† 19" (483)
<b>Cavity</b>	H 8 1/2" (216)	W 14 1/2" (368)	D 15" (381)
<b>Usable Cavity Space</b>	1.2 cubic ft. (34 liter)		
<b>Door Depth</b>	32 3/4" (832), 90°+ door open		
<b>Installation Clearances</b>	Top: 2" (51)	Sides: 1" (25)	Back: None
<b>Shipping Carton</b>	H 16 5/8" (422)	W 25 3/16" (640)	D 19 3/4" (502)
<b>Weight</b>			
<b>Product Weight</b>	<b>Ship weight (approx.)</b>	<b>UPS Shippable</b>	
41 lbs. (19 kg.)	47 lbs. (21 kg.)	Yes	

Measurements are US Standard. Measurements in ( ) are in millimeters

\* IEC 60705 Tested

† Includes handle

## Features

	Touch Models (TS)	Dial Models (DSE)
<b>Configuration</b>	Countertop	Countertop
<b>Stackable</b>	Yes	Yes
<b>Display</b>	VFD	Lighted Dial
<b>Control System</b>	Touchpad	Dial
<b>Programmable Control</b>	Yes, 10 pads	No
<b>Braille</b>	Yes	No
<b>Settings Programmable</b>	100	-
<b>Max. Cooking Time</b>	60:00	10:00
<b>Microwave Distribution</b>	Rotating antenna, top	Rotating antenna, top
<b>Power Levels</b>	5	4
<b>Defrost</b>	Yes, 20% power	Yes, 20% power
<b>Time Entry Option</b>	Yes	Yes
<b>Multiple Portion Setting</b>	Yes, X2	No
<b>Stage Cooking</b>	4 stages	1 stage
<b>Interior Light</b>	Yes	Yes
<b>Automatic Voltage Sensor</b>	No	No
<b>Air Filter</b>	Non-removable with cleaning reminder	Non-removable
<b>Signal</b>	End of cycle, adjustable	End of cycle
<b>Door Handle</b>	Grab & Go	Grab & Go
<b>Exterior Finish</b>	Stainless steel	Stainless steel
<b>Interior Finish</b>	Stainless steel	Stainless steel

## Electrical Configuration

Region	Model#/UPC	Control System	Power Consumption	Power Output (microwave)	Power Source	Plug Configuration	Cord Length	Frequency	Magnetron
North America single phase	<b>RCS10TS</b> 728028020724	Touch	1500 W	1000 W*	120 V, 60 Hz, 15 A, single phase	NEMA 5-15	5 ft. (1.5m)	2450MHz	1
North America single phase	<b>RCS10DSE</b> 728028129465	Dial	1500 W	1000 W*	120 V, 60 Hz, 15 A, single phase	NEMA 5-15	5 ft. (1.5m)	2450MHz	1

Specification #:

AIA File #:



225 49th Ave. Dr. SW, Cedar Rapids, IA 52404 U.S.A.  
800-233-2366 • 319-368-8120 • Fax: 319-368-8198  
www.acpsolutions.com

Part No. 20271701

Updated 2/23/2023

© 2023 ACP, Inc., Cedar Rapids, Iowa 52404

an Ali Group Company



The Spirit of Excellence