

CWTF15-3, PF (3 Lower Warmers)

Height: 17.3" Width: 16.4" Depth: 21.4"
(43.9cm) (41.7cm) (54.4cm)

- All stainless steel construction
- Hot water faucet (requires active plumbing connection)
- Pourover feature
- SplashGard® funnel deflects hot liquids away from the hand
- PROP 65 Warning Decal included in packaging with equipment
- Servers not included unless otherwise noted



Server(s) sold separately

Agency:



Specifications

Product #: 12950.0212

Warmers: Three Lower

Finish: Stainless

Water Access: Plumbed

Funnel: Black Plastic

Faucet: Upper

Additional Features

Low Profile

Pourover Option

Electrical & Capacity

Volts*	Amps	Watts	Cord Attached	Plug Type	8oz cups/hr 236ml cups/hr	Input H ₂ O Temp.	Phase	# Wires plus Ground	Hertz
120	13.9	1670	Yes	NEMA 5-15P	62	60°F (15.5°C)	1	2	60

*When a BUNN is machine rated 120/208-240V, 120/208V or 120/240V, the higher voltage is the supply voltage needed to power the machine. The 120V is there to supply power to some components rated 120V in the machine, but it is not the supply voltage and would not power the machine if the machine is marked with the before mentioned ratings.

Plumbing Requirements

PSI	kPa	Fitting Supplied	Water Flow Required (GPM)
20-90	138-621	1/4" Male Flare Fitting	-

CAD Drawings

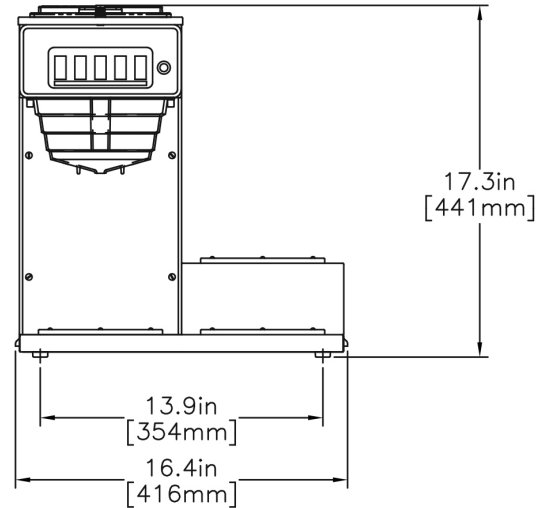
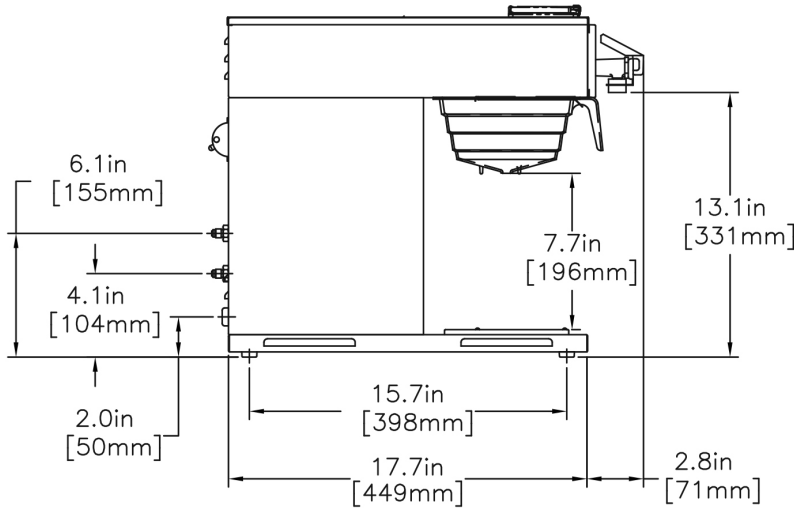
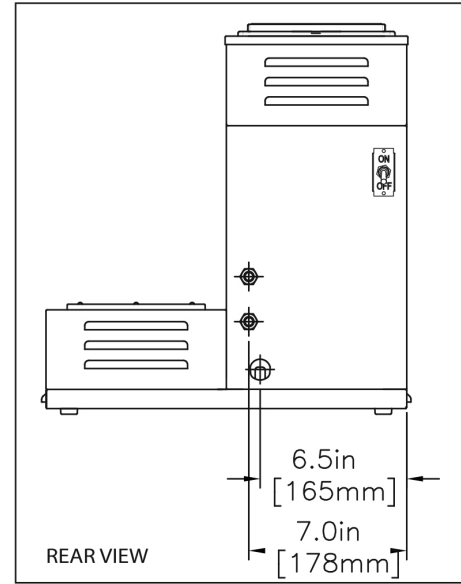
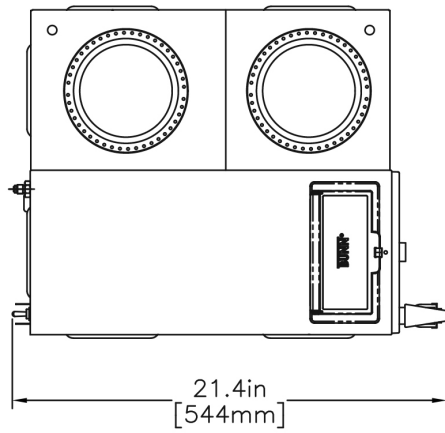
2D	Revit	KLC
●		

WARNING: This product can expose you to chemicals including Bisphenol A (BPA), which is known to the State of California to cause birth defects or other reproductive harm. For more information go to www.P65Warnings.ca.gov



BUNN® reserves the right to change specifications and product design without notice. Such revisions do not entitle the buyer to corresponding changes, improvements, additions or replacements for previously purchased equipment. For most current specifications and other info visit bunn.com.

Last Updated:
04/26/2024



	Unit			Shipping				
	Height	Width	Depth	Height	Width	Depth	Weight	Volume
English	17.3 in.	16.4 in.	21.4 in.	22.4 in.	19.9 in.	25.8 in.	39.350 lbs	6.643 ft ³
Metric	43.9 cm	41.7 cm	54.4 cm	56.8 cm	50.5 cm	65.6 cm	17.849 kgs	0.188 m ³



BUNN® reserves the right to change specifications and product design without notice. Such revisions do not entitle the buyer to corresponding changes, improvements, additions or replacements for previously purchased equipment. For most current specifications and other info visit bunn.com.

Last Updated:
04/26/2024

Related Products & Accessories: CWTF15-3, PF (3 Lower Warmers)(12950.0212)



FUNNEL W/DECAL,PPK
NAR BLK(SM)

Product #: 02774.0011



FUNNEL W/DECAL,PPK
NAR BLK(LG)

Product #: 04274.0012



FILTERS,REGULAR1M
500/2 50/CL

Product #: 20115.0000



FUNNEL ASSY, SST-BLK
HDL(7.12)

Product #: 20216.0000



FUNNEL W/DECALS,
BLACK PLASTIC

Product #: 20583.0003



FUNNEL ASSY, SST-PP
BLK HDL

Product #: 29151.0000



FUNNEL ASSY,SST-PP
ORANGE HDL

Product #: 29151.0001



WATER FILTER
SYSTEM,EQ-17-TL

Product #: 30200.1000



WATER FILTER,IN LINE
ED-17-TL

Product #: 30201.1001



SYSTEM, WEQ-10(1.5)5L

Product #: 56000.0024



CARTRIDGE, WEQ-10
(1.5)5L

Product #: 56000.0121



CARTRIDGE, WEQ-10.3
(1.67)5L

Product #: 56000.0137



BUNN® reserves the right to change specifications and product design without notice. Such revisions do not entitle the buyer to corresponding changes, improvements, additions or replacements for previously purchased equipment. For most current specifications and other info visit bunn.com.

Last Updated:
04/26/2024

Serving & Holding Options: CWTF15-3, PF (3 Lower Warmers)(12950.0212)



EASY POUR®,(BLK) 1/CS
Product #:06100.0101



EASY POUR®,(BLK) 2/CS
Product #:06100.0102



EASY POUR®,(BLK) 3/CS
Product #:06100.0103



EASY POUR®,(BLK) 6/CS
Product #:06100.0106



EASY POUR®,(BLK) 12/CS
Product #:06100.0112



EASY POUR®,(BLK) 24/CS
Product #:06100.0124



EASY POUR®,(ORN) 1/CS
Product #:06101.0101



EASY POUR®,(ORN) 2/CS
Product #:06101.0102



EASY POUR®,(ORN) 3/CS
Product #:06101.0103



EASY POUR®,(ORN) 24/CS
Product #:06101.0124



DECANTER, GLASS-BLK 12C 24/CS
Product #:42400.0024



DECANTER, GLASS-BLK 12CUP 1PK
Product #:42400.0101



DECANTER, GLASS-BLK 12C 3/CS
Product #:42400.0103



DECANTER, GLASS-ORN 12C 24/CS
Product #:42401.0024



DECANTER, GLASS-ORN 12 CUP 1PK
Product #:42401.0101



DECANTER, GLASS-ORN 12C 3/CS
Product #:42401.0103



BUNN® reserves the right to change specifications and product design without notice. Such revisions do not entitle the buyer to corresponding changes, improvements, additions or replacements for previously purchased equipment. For most current specifications and other info visit bunn.com.

Last Updated:
04/26/2024