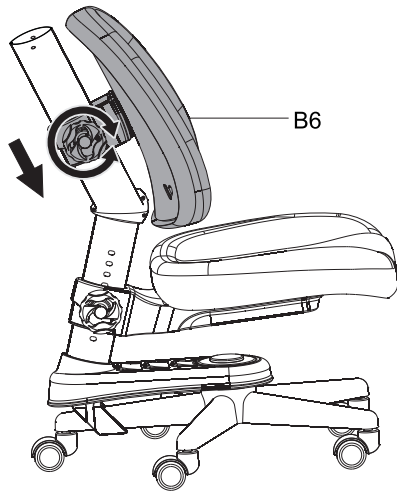


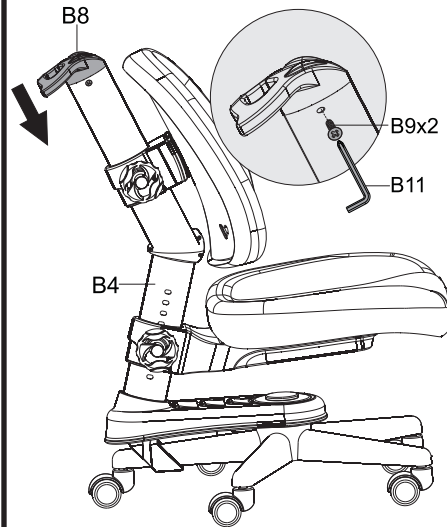
8

Step 1: Loosen the knob on the backrest (B6).
 Step 2: Align the backrest (B6) with the scale line to your preferred height.
 Step 3: Tighten the knob.

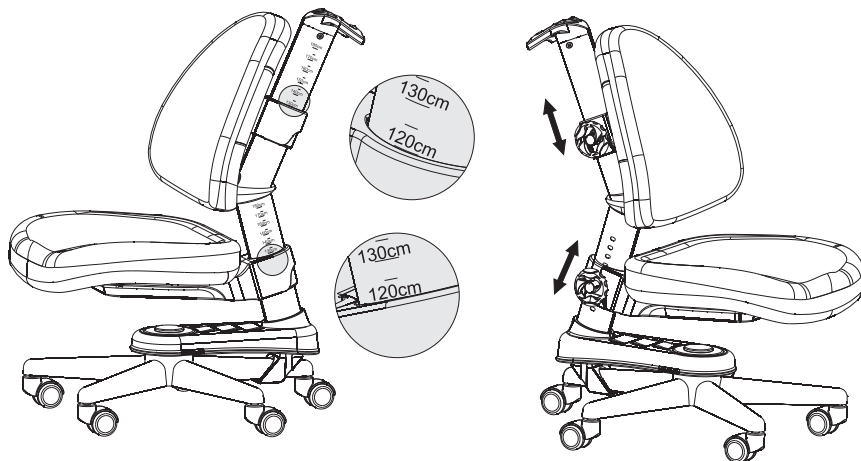


9

Step 1: Put the handle (B8) into the tube at the top of the support frame part way.
Note: If it is too tight, please use a hammer wrapped in cloth to carefully knock it in place.



10



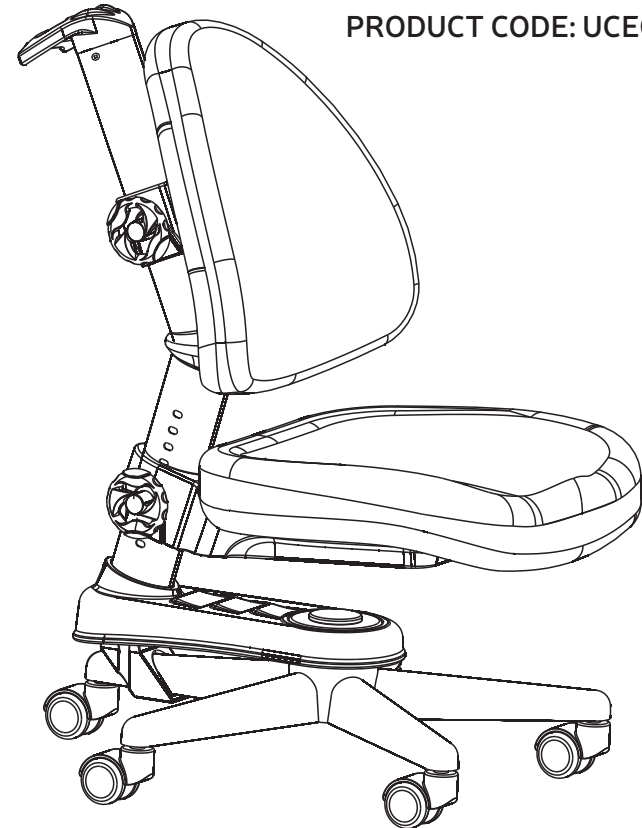
How to adjust the height of the backrest:

Loosen the knob of the backrest, adjust to your desired height then tighten the knob.

How to adjust the height of the seat:

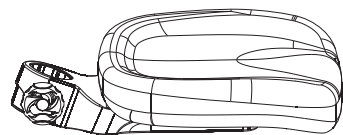
Loosen the knob on the seat, adjust the seat to the desired height and tighten. (Please ensure that the height aligns with the scale line).

PRODUCT CODE: UCECA2

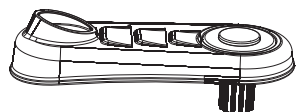


MATENA CHILDREN'S ERGONOMIC STUDY CHAIR

ASSEMBLY INSTRUCTIONS



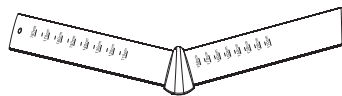
B1



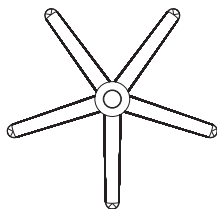
B2



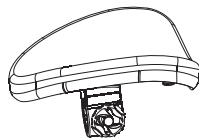
B3



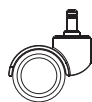
B4



B5



B6



B7x5



B8



B9x2



6mm
B10



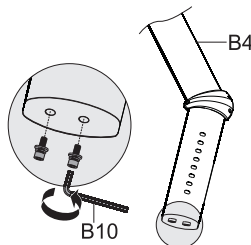
5mm
B11

CAUTION!

1. For indoor use only.
2. This product should be placed on a flat surface.
3. Please immediately wipe clean the chair surface if any liquid is splashed on it.
4. Please check screws regularly to ensure there are no loose parts during daily use.
5. Only tightly fasten all the screws once the chair has been assembled properly.
6. Don't put the product near the corrosive gas or moisture.
7. Don't play on the chair to avoid falls.

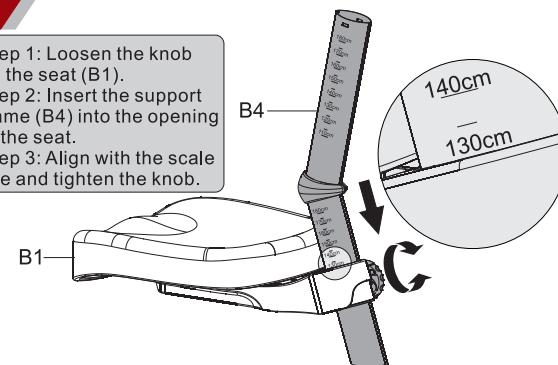
1

Remove the screws at the bottom of the support frame.



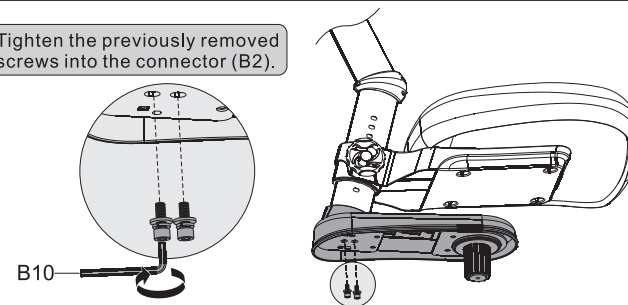
2

Step 1: Loosen the knob on the seat (B1).
 Step 2: Insert the support frame (B4) into the opening of the seat.
 Step 3: Align with the scale line and tighten the knob.

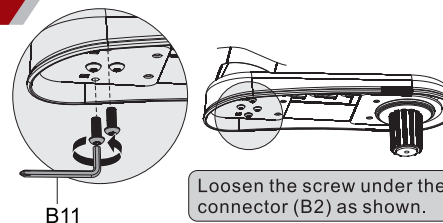


3

Tighten the previously removed screws into the connector (B2).

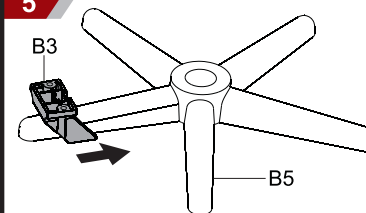


4



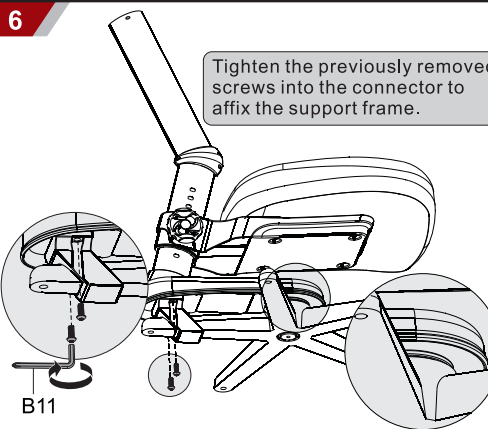
Loosen the screw under the connector (B2) as shown.

5



6

Tighten the previously removed screws into the connector to affix the support frame.



7

