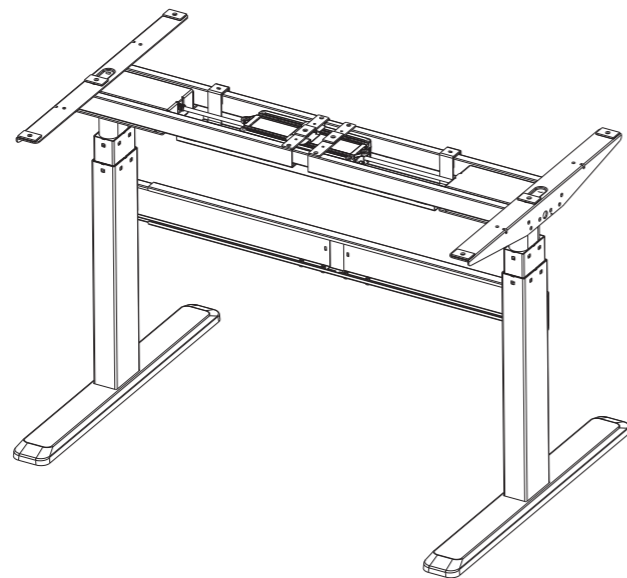


ELECTRIC

Height Adjustable Desk Frame

ASSEMBLY INSTRUCTIONS



BORDEAUX

Model: UCWDM



WARNING: FAILURE TO COMPLY WITH OR OBSERVE ALL ASSEMBLY, SAFETY AND OPERATION INSTRUCTIONS AND WARNINGS REGARDING THE USE OF THIS PRODUCT MAY RESULT IN SERIOUS BODILY INJURY.

Important information

Read the entire instruction manual before you start installation and assembly.

This product is not intended for use by young children without supervision.

This product contains small items that could be a choking hazard if swallowed. Keep these items away from children.

This product is intended for indoor use only. Using this product outdoors could lead to product failure and personal injury.

This product can be used by children from 8 years old (supervised) to Adult. Users with disabilities or lack of experience and operating knowledge should be supervised and given careful instruction prior to using this product. The desktop should never be sat on and children should be prohibited from having unsupervised contact with the product.

Cleaning and user maintenance shall not be made by children without supervision.

If the supply cord is damaged, it must be replaced by the manufacturer, its service agent or a similarly qualified person in order to avoid a hazard.

IMPORTANT: Ensure that you have received all parts according to the component checklist prior to installation. If any parts are missing or faulty, telephone your local distributor for a replacement.

QUICK TIP: DO NOT overtighten screws during installation.

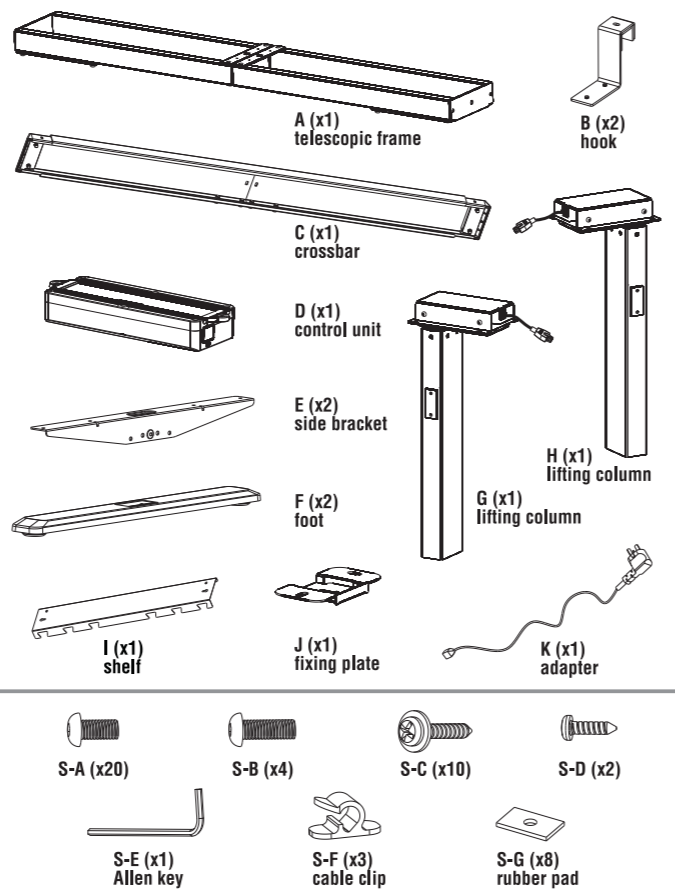
CAUTION:

- Please place the product away from corrosive gas, water and dusty environment.
- Please do not disassemble all the components, otherwise, it will be seen as the withdrawn of the warranty service.

Disposal:

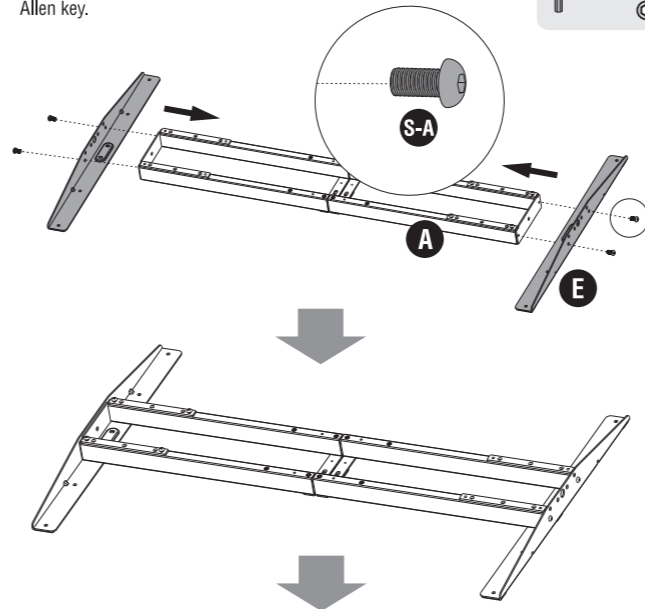
This marking indicates that this product should not be disposed with other household wastes throughout the EU. To prevent possible harm to the environment or human health from uncontrolled waste disposal, recycle it responsibly to promote the sustainable reuse of material resources. To return your used device, please use the return and collection systems or contact the retailer where the product was purchased. They can take this product for environmental safe recycling.

Component Checklist

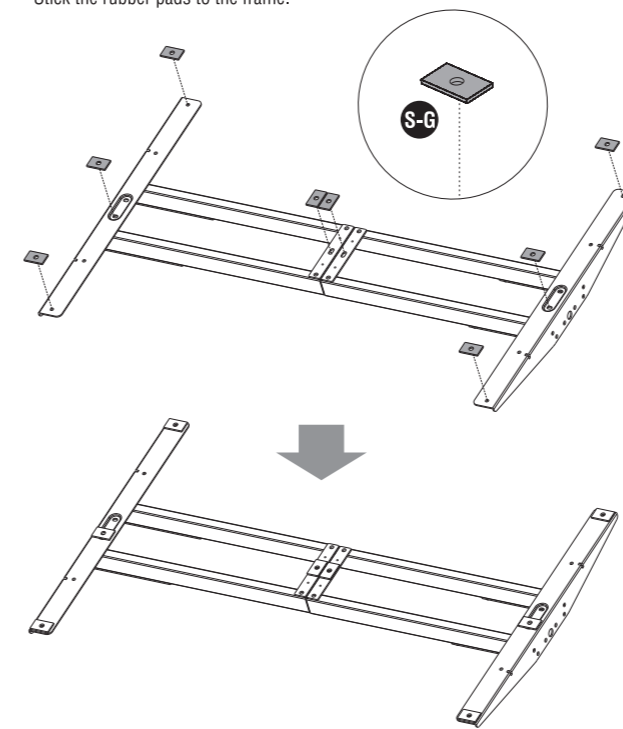


1 Assembling the Frame

- Attach the two side brackets to the two ends of the frame using four screws as shown and tighten all screws with an Allen key.

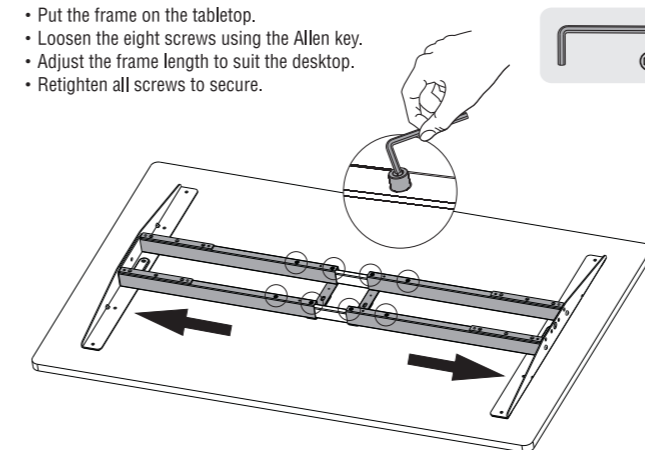


- Remove the protective films from the adhesive rubber pads.
- Stick the rubber pads to the frame.

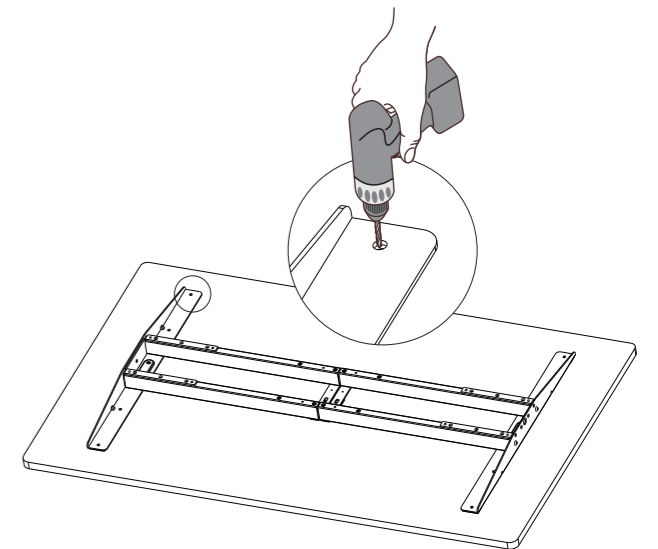


2 Drilling Mounting Holes Under Desktop

- Put the frame on the tabletop.
- Loosen the eight screws using the Allen key.
- Adjust the frame length to suit the desktop.
- Retighten all screws to secure.



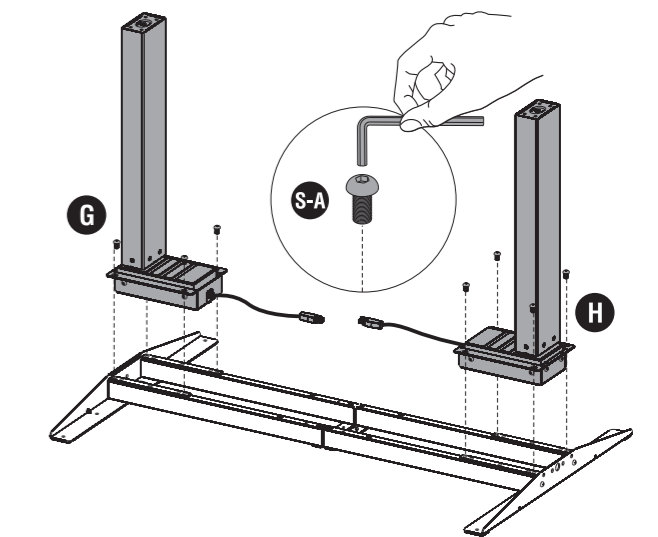
- Drill mounting holes under the desktop, then remove the desktop.



Attention: the maximum depth of holes is 3mm.

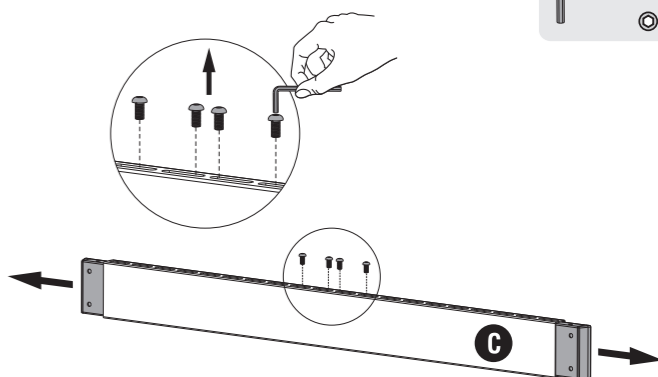
3 Assembling the Lifting Columns

- Attach the lifting columns to the assembled frame using the eight screws and tighten all screws with the Allen key.



4 Installing the Crossbar

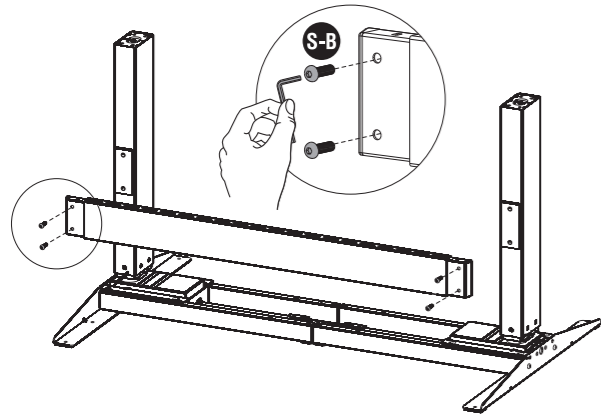
- Remove the four screws using an Allen key.



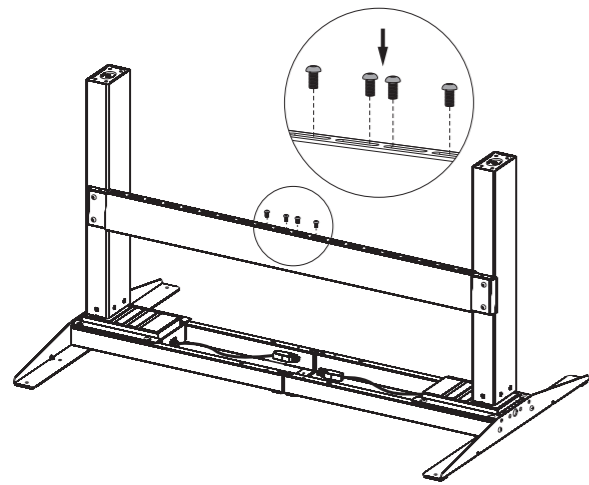
Tools Needed



- Adjust the crossbar to align with the lifting columns mounting holes and tighten the four screws to secure.

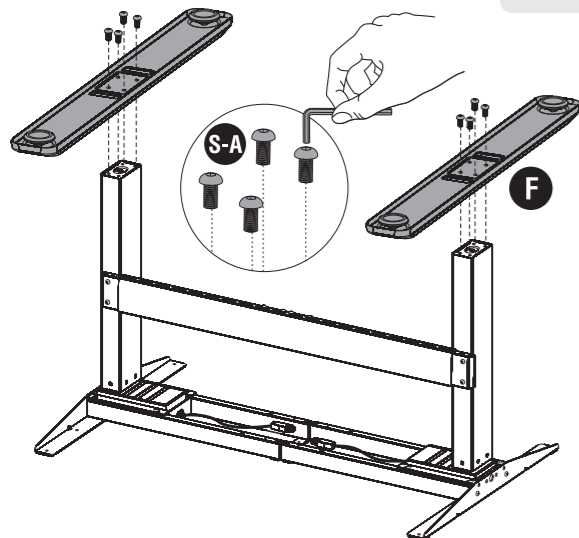


- Reinsert the previously removed screws and tighten all screws to secure.



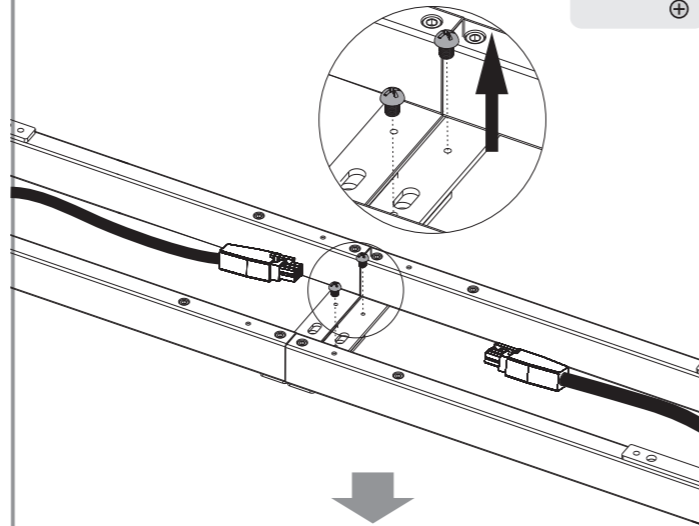
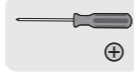
5 Installing the Feet

- Place the feet on the columns as shown.
- Insert the screws as shown and tighten them.

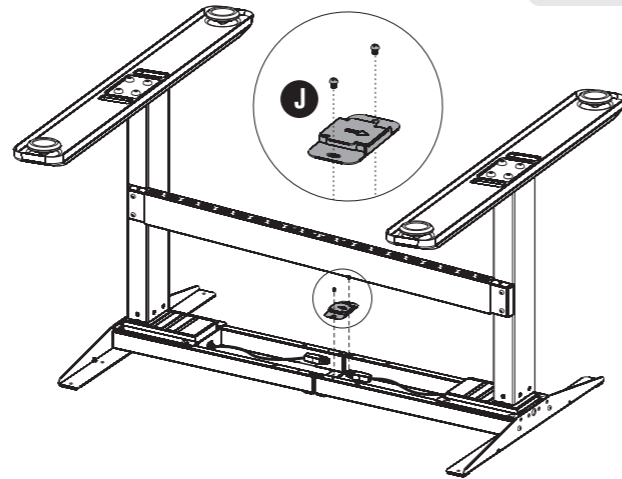


6 Installing the Fixing Plate

- Remove the screws in the center part of the crossbar as shown.

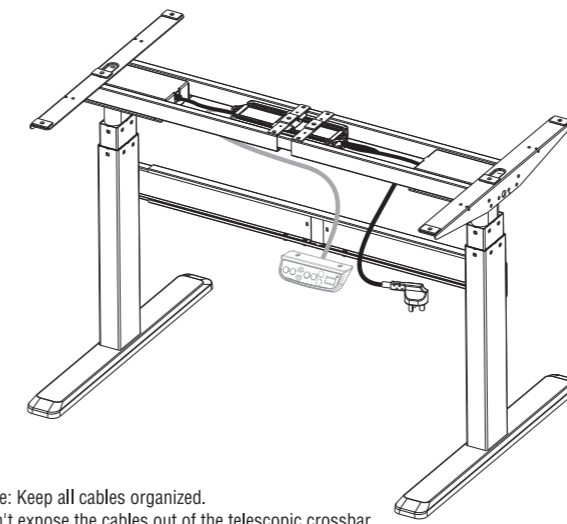
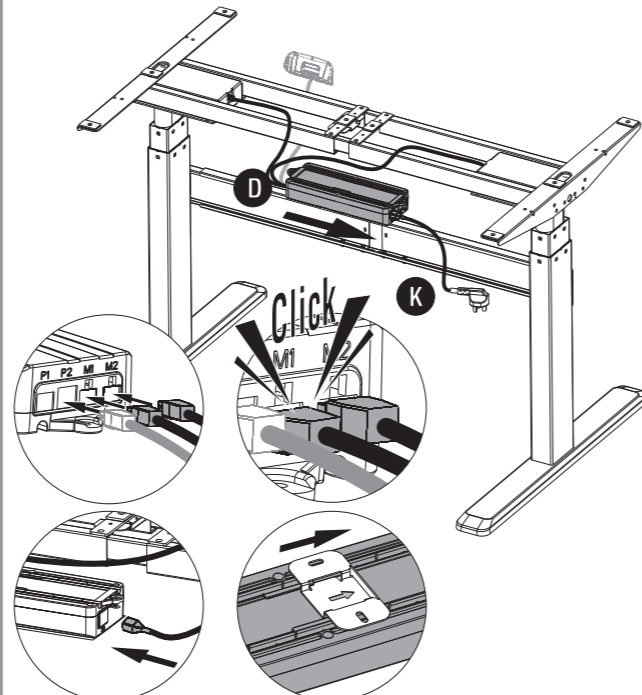


- Attach the fixing plate to the frame using the two removed screws and tighten all screws with a proper screwdriver.



7 Installing the Control Unit

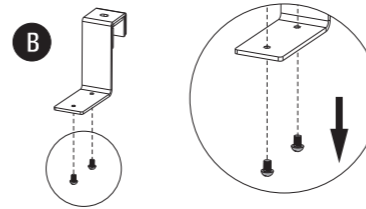
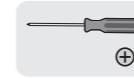
- Connect all the wires to the control unit as shown below, then slide the control unit to the fixing plate.



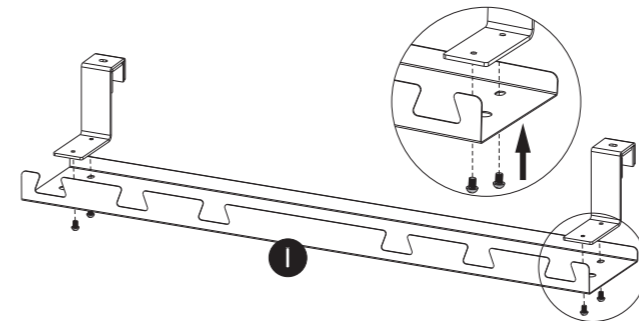
Note: Keep all cables organized. Don't expose the cables out of the telescopic crossbar.

8 Installing the Cable Management Shelf

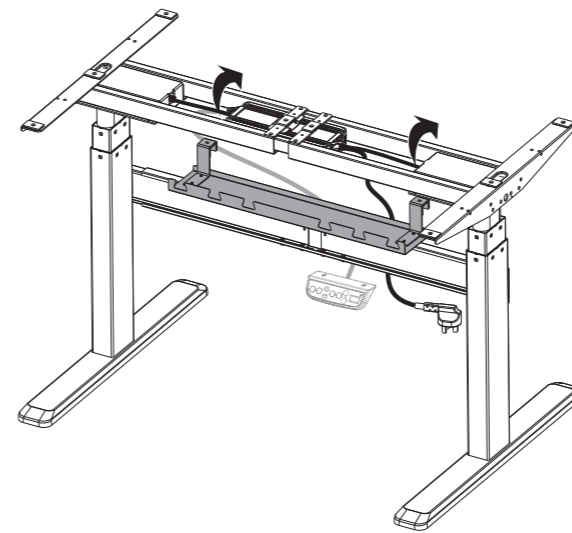
- Loosen and remove the screws with a proper screwdriver.



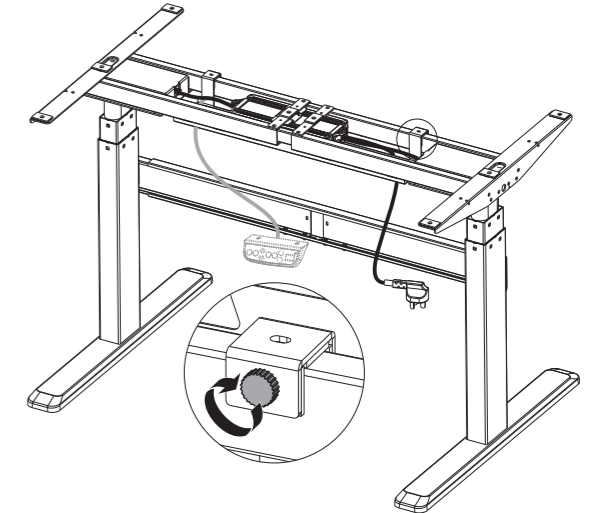
- Fix the hooks to the shelf with removed screws, tighten all the screws.



- Hang the cable management shelf onto the frame as shown below.

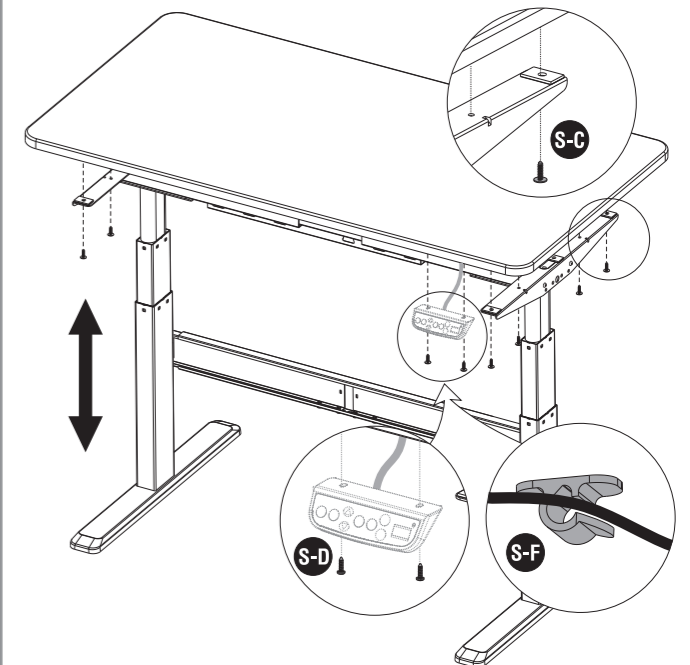
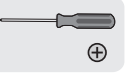


- Tighten all the screws on the hooks.



9 Installing the Desktop

- Connect the power to adjust the desk at the highest position, then attach the desktop and control panel to the frame, and tighten all screws.
- Add the cable clip to organize if needed.



- Each foot pad can be adjusted independently for fine tuning.
- Slightly turn the foot pad to lower or raise the base.
- Use a level to make sure the desktop is even.

