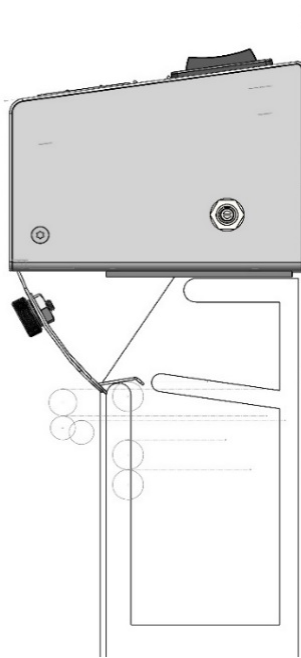


# BASEBOARD BOOSTER™

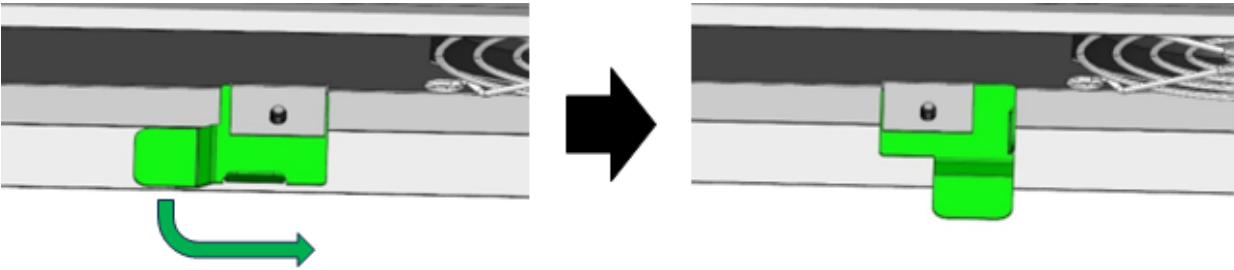
## Setup Instructions:

Carefully remove *Baseboard Booster™* from container.

1. Place *Baseboard Booster™* on the center of the baseboard (minimum size baseboard 36") to determine the mounting process for your baseboard (not all baseboards are the same).
2. While holding the *Baseboard Booster™* on the top of the baseboard, adjust the **front flap** so that the front mounting clips attach to the bottom of baseboard vent (where the heat escapes from the baseboard). Once proper level placement is obtained, tighten the knobs on the front flap to hold the flap and unit in place.



3. If the front flap adjustment does not firmly hold the *Baseboard Booster™* to the baseboard, loosen the front flap and remove the *Baseboard Booster™* from your baseboard as it may be necessary to engage the **back mounting tabs** attached to the bottom rear of the unit. Engage **back mounting tabs** by rotating downward.



4. Carefully (as to not damage the wall) slide the *Baseboard Booster™* **back mounting tabs between the wall and the back of the baseboard** to secure the *Baseboard Booster™* in place and reattach the front flap. In the unlikely event that the screws used to attach your baseboard to the wall impede the tab from sliding behind your baseboard, simply move the *Baseboard Booster™* slightly to the right or left to avoid the impediment caused by the baseboard mounting screws.

If you are still having difficulty installing, you can use the double-sided tape (located on the bottom of the *Baseboard Booster™*) to attach the *Baseboard Booster™* to the top of your baseboard for added support.

5. Once the *Baseboard Booster™* is securely attached to your baseboard, it is time to apply the power. Insert the male end of the power cord into the female DC jack on the right end of the *Baseboard Booster™*. Now plug the *Baseboard Booster™* into a standard household outlet. **If the *Baseboard Booster™* is unpowered for any reason, you must remove the unit from the baseboard.**

6. Select desired power switch position, Boost 1 (low), Boost 2 (high) or Quiet Mode (middle switch position - between Boost 1 & 2). **NOTE: the *Baseboard Booster™* fans will only engage when adequate heat is sensed from the baseboard.** *Baseboard Booster™* is engineered to automatically start the fans when the heating system cycles on and reaches temperature. The *Baseboard Booster™* will automatically turn off fans when the heat from your system declines to room temperature. **For best performance we recommend using Boost 1 for Hot Water Baseboards and Boost 2 for Electric Baseboards.**

## ***Two Heating System Layouts***

### **Heating System Thermostat is Located in a Remote Area**

(i.e. Thermostat is not in the same room as the *Baseboard Booster™*)

When using your *Baseboard Booster™* in a different room from your heating zone thermostat, the heat in the other rooms will show no difference from normal operation. However, the room containing the *Baseboard Booster™* will heat quicker and become warmer than it previously did without the *Baseboard Booster™*. It will also remain warmer for a longer period.

This creates an opportunity for you to lower your zone's thermostat while still maintaining the heat you are accustomed to, in the room with *Baseboard Booster™*. Hence saving energy as well as reducing your heating bill. Therefore, we recommend using the *Baseboard Booster™* in the room(s) you occupy most.

## **Heating System Thermostat is Located in Same Area**

*(i.e. Thermostat is in same room as Baseboard Booster™)*

When using your *Baseboard Booster™* in the same room as your zone's heating thermostat (*or for baseboards with built-in thermostats*), the heat in this room will reach the temperature of the thermostat setting quicker. Thus, reducing the heat cycle "ON" time. Hence saving energy as well as reducing your heating bill.

*(Please note that if the heat in other rooms is controlled by the thermostat in the room with the Baseboard Booster™, they too will show a reduced heat cycle "ON" time and therefore may be cooler).* Therefore, we recommend using the *Baseboard Booster™* in the room(s) you occupy most.

## ***Cleaning Instructions:***

Before cleaning the *Baseboard Booster™* disconnect the power from the outlet. Dust may be removed from the exterior surfaces using a soft cloth, the round brush attachment of your vacuum cleaner or using a cloth that has been lightly moistened with water and a mild, non-abrasive detergent. Do not let moisture get into the unit (vents or switch) as moisture can damage circuitry or fans. Dust accumulation in the interior of the unit may be removed by using the small round brush attachment from your vacuum cleaner. Blowing the dust out with compressed air or vacuum blower is also recommended. Cleaning the *Baseboard Booster™* and the baseboard prior to seasonal use and at the end of the seasonal use at a minimum is recommended.