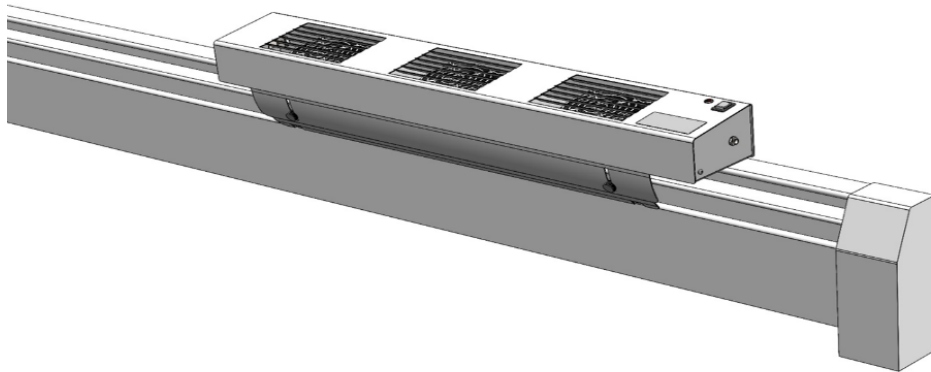


BASEBOARD BOOSTER™

Thank you for your business!

Welcome to saving on energy costs, maximizing baseboard heat output, heating rooms faster and reducing carbon emissions for only pennies a day!



READ AND SAVE THESE INSTRUCTIONS.

Register Your Product Today @

www.baseboardbooster.com

Table of Contents:

Safety Precautions.....	3
Set Up Instructions.....	7
Cleaning Instructions.....	8
Warranty Information.....	9
Two Heating System Layouts.....	11



READ AND SAVE THESE INSTRUCTIONS.

Baseboard Booster™ Safety Precautions

The Baseboard Booster™ when attached to the baseboard, **MUST BE PLUGGED IN AND THE RED POWER LIGHT MUST BE LLUMINATED.** If unplugged (or unpowered), the Baseboard Booster™ can block heat and force the heat back into your baseboard creating a potentially dangerous heat buildup and risk of fire, injury to persons, or death.

Remove Baseboard Booster™ from the baseboard if RED Power Light is off

Please read the included “Set Up Instructions” carefully

NOT for use on portable or free-standing electric baseboards

Due to heat fluctuations, the unit may occasionally cycle off and on

There will be a delay once the heating system turns on as the unit will wait until the baseboard achieves its optimal “turn on” temperature

The surface of the unit may be HOT, let cool prior to removing from baseboard

READ ALL OF THE INSTRUCTIONS BEFORE USING THE BASEBOARD BOOSTER™ (Referred to as the Product).

This owner’s guide and any additional inserts are considered part of the Product. They contain important information about safety, use and disposal. Before using the Product, please familiarize yourself with all operating and safety instructions. Please keep all documents for future reference and pass these documents on, together with the Product, to any future owner. The most current Safety Instructions and documentation for the Product are available at www.baseboardbooster.com.

INTENDED USE: The Product is intended to circulate heated air in indoor living spaces only. The Product is not intended for commercial or industrial use. The Product is not intended for use in bathrooms, laundry areas, and similar damp locations. Manufacturer assumes no responsibility for damage or injury due to unauthorized

use or Product modification. Failure to follow these directions will void the Product warranty. The Product is intended to be used only on baseboard heaters.

WARNING: This appliance is not intended for use by persons (including children) with reduced physical, sensory or mental capabilities, or lack of experience and knowledge, unless they have been given supervision or instructing concerning use of the appliance by a person responsible for their safety.

Children should be supervised to ensure that they do not play with the appliance.

Risk to Children and Impaired Persons - Extreme caution is required during the installation, operation, cleaning, and maintenance of this product by and around children 12 years of age and younger and anyone with reduced physical, sensory, or mental capabilities, and whenever the Baseboard Booster™ is left operating and unattended. Children should be supervised to ensure that they do not play with the appliance, its parts and packaging material.

INSTALLATION WARNING—THE BASEBOARD BOOSTER™ IS SUPPLIED WITH A SAFE, EXTRA LOW VOLTAGE POWER SUPPLY AS REQUIRED FOR CLASS III APPLIANCES.

USE ONLY THE POWER SUPPLY UNIT PROVIDED WITH THE APPLIANCE.

To reduce risk of fire, electrical shock, and injury to persons, observe the following:

- Do not use Product in areas where gasoline, paint, or flammable liquids are used or stored.
- Do not use Product in an RV, boat or during any application where battery power is converted to AC power.
- No part of the Product (the appliance, power cord, plug, packaging, etc.) should be placed near furnaces, fireplaces, stoves, or other high temperature heat sources.
- Do not use the Product on an elevated surface such as a window, shelf, or desktop. Use only while placed on a baseboard heat source. Operate only in the upright position.
- The Product, power supply, power cord and plug cannot come into contact with water. Do not use the Product on wet surfaces. Do not use the Product in a bathtub or shower or position Product where it may fall into a bathtub,

laundry, swimming pool or other water container. Do not use the Product outdoors or expose it to weather or elements.

- Do not run the cord under carpeting. Do not cover the cord with throw rugs, runners, or similar coverings. Do not route under furniture or appliances. Arrange cord away from the traffic area and where it will not be tripped over. The cord should not hang over edges of counters or be placed where it can be crimped or closed in doors. Place Product near an easily accessible outlet so the product can be unplugged quickly during an emergency.
- Do not modify the Product with any aftermarket accessory.

SAFE USE WARNING— When using electrical appliances, basic precautions should always be followed to reduce the risk of fire, electrical shock, and injury to persons. To reduce risk of fire, electrical shock, and injury to persons, observe the following:

- Use the Product only as described in these Safety Instructions. Any other use not recommended by the manufacturer may cause fire, electric shock, or injury to persons.
- Always unplug the Product when not in use. Baseboard Booster™ does not recommend unattended and unsupervised use of this heat accelerator.
- Always plug Product directly into a wall outlet/receptacle. Never use with an extension cord or relocatable power tap (outlet/power strip). Do not use Product on a surge-protected unit or Ground Fault Circuit Interrupted (GFCI) outlet.
- Before plugging the power cord into an electrical outlet, be sure that all electrical information on the rating label, including voltage, is compatible with your outlet's power supply.

WARNING: To reduce the likelihood of circuit overload, fire, and electric shock, do not operate with a solid-state speed device, such as a dimmer control switch. Use of this appliance on the same electrical circuit as another high energy use product, such as a vacuum cleaner, blender, variable speed fan or circular saw is not advised. Do not use the Product with a timer designed to automatically turn the unit on or off. Do not operate Product with a damaged cord or plug or after the Product malfunctions, has

been dropped or damaged in any manner. Discard Product or return to the Best Baseboard Booster™ authorized service facility for examination and/or repair.

- Do not sit or stand on the Product.
- Never use the cord as a handle or otherwise yank, strain or stretch the power cord.
- Do not insert or allow foreign objects to enter any ventilation or exhaust opening as this may cause an electric shock or fire or damage the Product.
- Check your Product cord and plug connections. A loose-fitting outlet can cause the plug to overheat or cause a fire. Be sure the plug fits tight in the outlet. Check frequently during use to make sure the plug and outlet are not hot. If so, discontinue using Product and have the outlet replaced by a qualified electrician.
- Never ignore the signs of an electrical problem, such as: warm outlet cover plates, sparks when plugging in or operating, lights flickering/dimming during operation. Immediately turn off and unplug the Product if any such problems are noticed. Contact a qualified electrician to investigate possible causes before operating the Product again.
- Before moving, repositioning, servicing, cleaning and when not in use, use the Product controls to set to “Quiet Mode” and then unplug. To disconnect from the outlet, grasp and pull only the plug. Also, power off and unplug if the Product will be left unattended for an extended period or during electrical storms.
- If the Product and other electrical products suddenly stop working at the same time, your home circuit breaker or fuse may have tripped due to an overload of power.

SERVICING WARNING—To reduce risk of fire, electrical shock, and injury to persons:

- Clean your Product regularly, only as is instructed in this manual. Prior to cleaning, turn off the power on your Product and unplug. Do not use gasoline, thinners, solvents, ammonia, or other chemicals for cleaning. Refer to the CLEANING instructions provided in Set Up Instructions.

- Do not open Product housing while the Product is plugged in. To avoid risk of shock, all service and/or repairs must be done by Baseboard Booster™ Authorized Service Center.

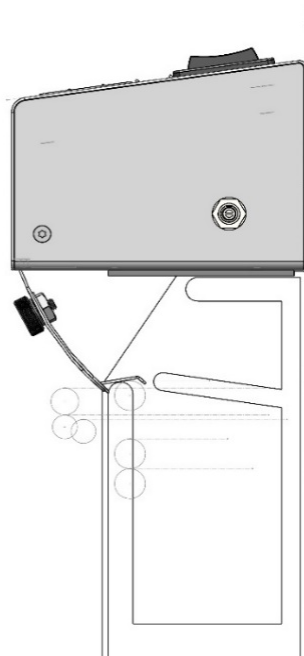
The contents of the Safety Instructions may differ slightly from the actual Product. Observe any additional supplements. **WARRANTY** We expect this product to be perfect. If you are not satisfied with this product, let us know. We are here to help at help@baseboardbooster.com, LLC. 99 Innovations, LLC All company names and product names are trademarks of their respective owners.

READ AND SAVE THESE INSTRUCTIONS.

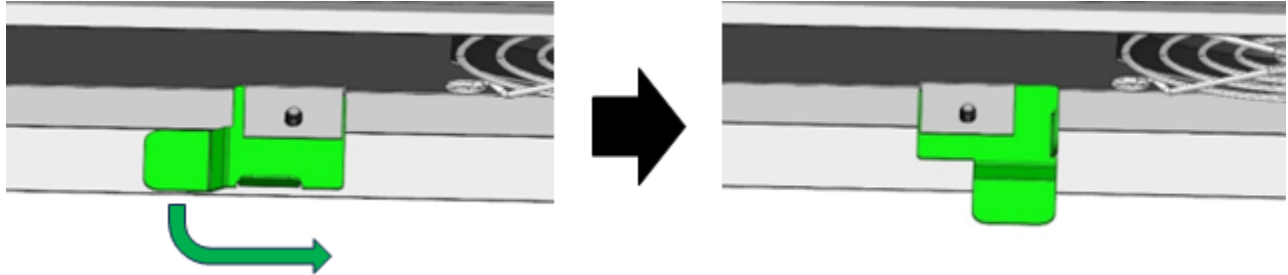
Setup Instructions:

Carefully remove Baseboard Booster™ from container.

1. Place Baseboard Booster™ on the center of the baseboard (minimum size baseboard 36") to determine the mounting process for your baseboard (not all baseboards are the same).
2. While holding the Baseboard Booster™ on the top of the baseboard, adjust the **front flap** so that the front mounting clips attach to the bottom of baseboard vent (where the heat escapes from the baseboard). Once proper level placement is obtained, tighten the knobs on the front flap to hold the flap and unit in place.



3. If the front flap adjustment does not firmly hold the Baseboard Booster™ to the baseboard, loosen the front flap and remove the Baseboard Booster™ from your baseboard as it may be necessary to engage the **back mounting tabs** attached to the bottom rear of the unit. Engage **back mounting tabs** by rotating downward.



4. Carefully (as to not damage the wall) slide the Baseboard Booster™ **back mounting tabs between the wall and the back of the baseboard** to secure the Baseboard Booster™ in place and reattach the front flap. In the unlikely event that the screws used to attach your baseboard to the wall impede the tab from sliding behind your baseboard, simply move the Baseboard Booster™ slightly to the right or left to avoid the impediment caused by the baseboard mounting screws.

If you are still having difficulty installing, you can use the double-sided tape (located on the bottom of the Baseboard Booster™) to attach the Baseboard Booster™ to the top of your baseboard for added support.

5. Once the Baseboard Booster™ is securely attached to your baseboard, it is time to apply the power. Insert the male end of the power cord into the female DC jack on the right end of the Baseboard Booster™. Now plug the Baseboard Booster™ into a standard household outlet.

If the Baseboard Booster™ is unpowered for any reason, you must remove the unit from the baseboard.

6. Select desired power switch position, Boost 1 (low), Boost 2 (high) or Quiet Mode (middle switch position - between Boost 1 & 2). **NOTE: the Baseboard Booster™ fans will only engage when adequate heat is sensed from the baseboard.** Baseboard Booster™ is engineered to automatically start the fans when the heating system cycles on and reaches temperature. The Baseboard Booster™ will automatically turn off fans when the heat from your system declines to room temperature. **For best performance we recommend using Boost 1 for Hot Water Baseboards and Boost 2 for Electric Baseboards.**

Cleaning Instructions:

Before cleaning the Baseboard Booster™ disconnect the power from the outlet. Dust may be removed from the exterior surfaces using a soft cloth, the round brush attachment of your vacuum cleaner or using a cloth that has been lightly moistened with water and a mild, non-abrasive detergent. Do not let moisture get into the unit (vents or switch) as moisture can damage circuitry or fans. Dust accumulation in the interior of the unit may be removed by using the small round brush attachment from your vacuum cleaner. Blowing the dust out with compressed air or vacuum blower is also recommended. Cleaning the Baseboard Booster™ and the baseboard prior to seasonal use and at the end of the seasonal use at a minimum is recommended.

1 Year Limited Warranty

99 Innovations, LLC. (Baseboard Booster™) warrants to the original consumer or purchaser of the Baseboard Booster™ (“Product”) that such Product is free from defects in material or workmanship for a period of one year from the date of purchase. If any such defect is discovered within the warranty period, Baseboard Booster™, at its discretion, will repair or replace the Product at no cost.

Important Safety Notice:

The Baseboard Booster™ MUST ALWAYS BE plugged in when attached to the baseboard. If unplugged, the Baseboard Booster™ can block heat and force the heat back into your baseboard creating a potentially dangerous heat buildup and risk of fire, injury to persons, or death. Please remove Baseboard Booster™ from the baseboard if unplugged.

Please read the included “Safety Precautions” carefully

NOT for use on portable or free-standing electric baseboards

Due to heat fluctuations, the unit may occasionally cycle off and on

There will be a delay once the heating system turns on as the unit will wait until the baseboard achieves “turn on” temperature

For warranty or repair service: email help@baseboardbooster.com to obtain a Return Authorization (“RA”) form. Please have or include your Product’s model number and serial number, as well as your name, address, city, state, Zip code and phone number when contacting Baseboard Booster™ for warranty service. After receiving the RA form, ship your Product to: Baseboard Booster™ 1559 Lake Bend Place Fleming Island, FL 32003. For your convenience, please have your model number and serial number when contacting Baseboard Booster™ with service inquiries. To ensure proper handling, packages must be clearly marked with the RA number. Packages not clearly marked with the RA number may be refused at the receiving dock. Please allow 1-2 weeks for repair and return of your Product after the Product is received. Repairs not covered by the warranty or outside the warranty period will require a fee to cover the cost of materials, labor, handling, and shipping. This warranty does not apply to defects resulting from abuse of the Product, modification, alteration, mishandling, improper maintenance, commercial use or repair or service of the Product by anyone other than Baseboard Booster™; damages which occur in shipment or are attributed to acts of God. Improper Product use, which includes using an external device that alters or converts the voltage or frequency of electricity or shipping a Product to a country not intended for use will void all warranties. Any unauthorized Product modification, repair by unauthorized repair center or use of non-approved replacement parts is not recommended and any consequences will not be covered by support services or product warranties. The product warranty will be honored only on models that are being used in the country intended.

REPAIR OR REPLACEMENT AS PROVIDED UNDER THIS WARRANTY IS THE EXCLUSIVE REMEDY OF THE CONSUMER. BASEBOARD BOOSTER™ SHALL NOT BE LIABLE FOR ANY INCIDENTAL OR CONSEQUENTIAL DAMAGES FOR BREACH OF ANY EXPRESS OR IMPLIED WARRANTY ON THIS PRODUCT. EXCEPT TO THE EXTENT PROHIBITED BY APPLICABLE LAW, ANY IMPLIED WARRANTY OF MERCHANTABILITY OR FITNESS FOR A PARTICULAR PURPOSE ON THIS PRODUCT IS LIMITED IN DURATION TO THE DURATION OF THIS WARRANTY.

Some states do not allow the exclusion or limitation of incidental or consequential damages or allow limitations on how long an implied warranty lasts, so the above limitations or exclusions may not apply to you. This warranty gives you specific legal rights, and you may have other rights that vary from state to state. The manufacturer assumes no responsibility for damage or injury caused by failure to follow the Safety

Instructions, improper Product use or unauthorized product modifications. Any such action will invalidate the product warranty.

All technical information, data and instructions for the installation, connection and operation contained in the Safety Instructions for use correspond to the latest available information at the time of printing.

Two Heating System Layouts

Heating System Thermostat is Located in a Remote Area

(i.e. Thermostat is not in the same room as the Baseboard Booster™)

When using your *Baseboard Booster™* in a different room from your heating zone thermostat, the heat in the other rooms will show no difference from normal operation. However, the room containing the *Baseboard Booster™* will heat quicker and become warmer than it previously did without the *Baseboard Booster™*. It will also remain warmer for a longer period.

This creates an opportunity for you to lower your zone's thermostat while still maintaining the heat you are accustomed to, in the room with *Baseboard Booster™*. Hence saving energy as well as reducing your heating bill. Therefore, we recommend using the *Baseboard Booster™* in the room(s) you occupy most.

Heating System Thermostat is Located in Same Area

(i.e. Thermostat is in same room as Baseboard Booster™)

When using your *Baseboard Booster™* in the same room as your zone's heating thermostat (or for baseboards with built-in thermostats), the heat in this room will reach the temperature of the thermostat setting quicker. Thus, reducing the heat cycle's "ON" time. Hence saving energy as well as reducing your heating bill.

(Please note that if the heat in other rooms is controlled by the thermostat in the room with the Baseboard Booster™, they too will show a reduced heat cycle "ON" time and therefore may be cooler). Therefore, we recommend using the Baseboard Booster™ in the room(s) you occupy most.