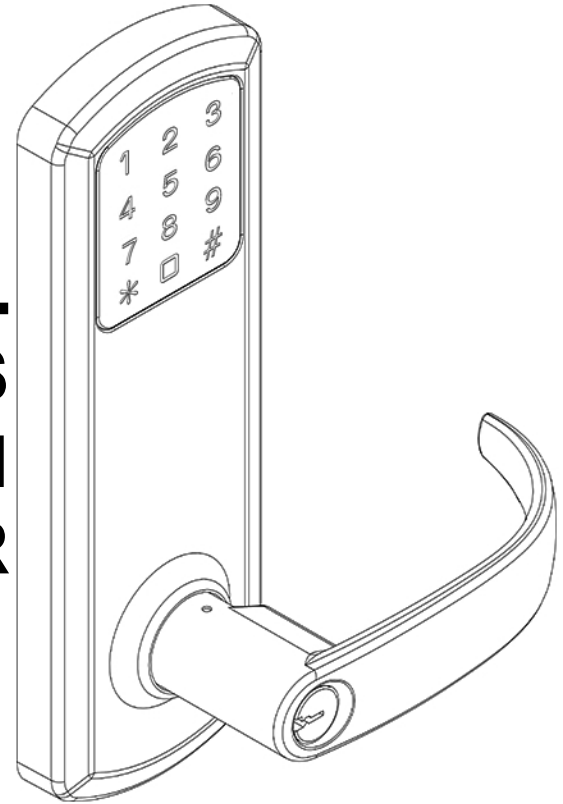
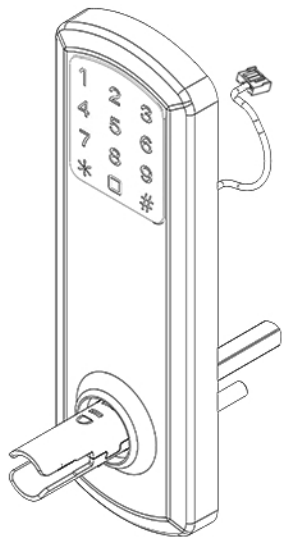


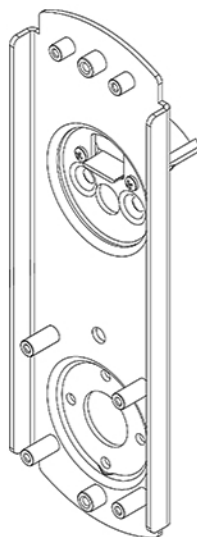
TOWNSTEEL E-GENIUS 4000/5000 SERIES LOCK INSTALLATION 4" CENTER TO CENTER



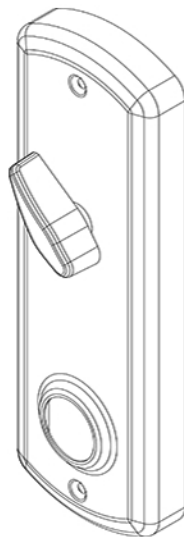
PACKAGE CONTENT	2
GETTING STARTED	4
HANDING INFORMATION	5
DOOR PREPARATION	6
STEP 1 - ADJUST LATCH BOLT	7
STEP 2 - SET HANDING ON LATCH BOLT	8
STEP 3 - ADJUST DEADBOLT	9
STEP 4 - INSTALL DEADBOLT AND LATCH BOLT	10
STEP 5 - INSTALL OUTSIDE ASSEMBLY	11
STEP 6 - INSTALL BACKPLATE	12
STEP 7 - INSTALL SPINDLE AND CONNECT BATTERY TRAY	13
STEP 8 - SET HANDING ON BATTERY TRAY	14
STEP 9 - INSTALL BATTERIES	15
STEP 10 - INSTALL ESCUTCHEON AND INSIDE LEVER	16
STEP 11 - INSTALL STRIKES	17
ADDENDUM A - CHANGE HANDING INFORMATION	18
ADDENDUM B - REMOVE LEVERS	19
ADDENDUM C - INSTALL OUTSIDE LEVER	20
ADDENDUM D - CHANGE HANDING ON OUTSIDE ASSEMBLY	21
EXPLODED VIEW OF LOCK	22
TROUBLESHOOT	23



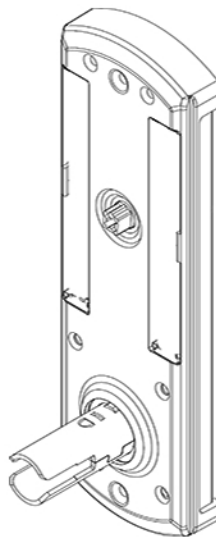
OUTSIDE ASSEMBLY



BACKPLATE



INSIDE COVER



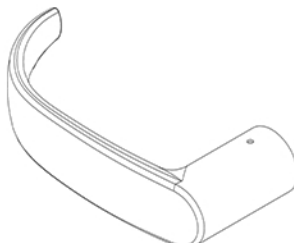
BATTERY TRAY ASSEMBLY



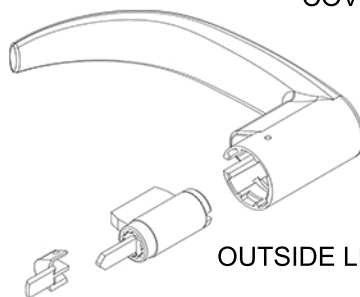
THUMB TURN SPINDLE



LEVER REMOVAL TOOL

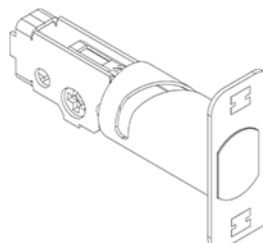


INSIDE LEVER

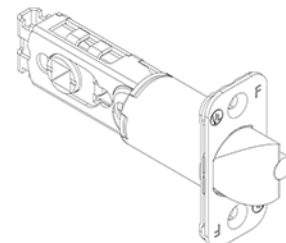


OUTSIDE LEVER

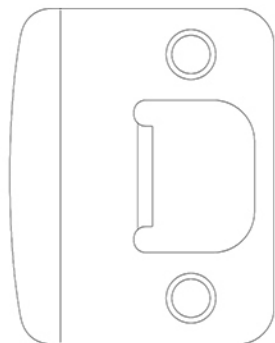
CYLINDER RETAINER & CYLINDER



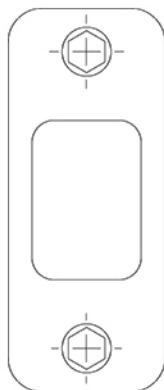
DEADBOLT



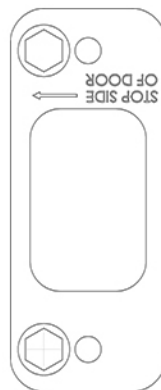
LATCH BOLT



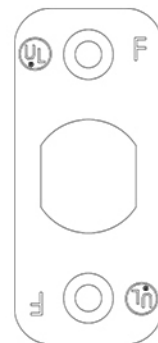
LATCH BOLT STRIKE



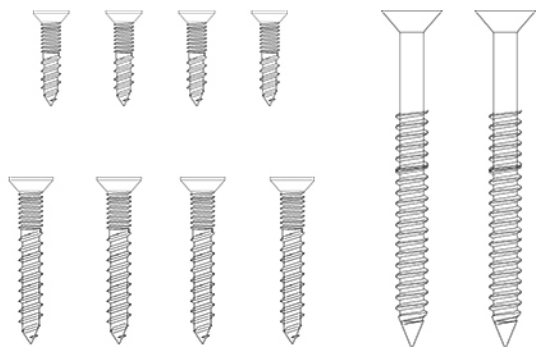
DEADBOLT STRIKE



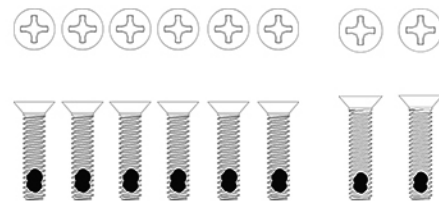
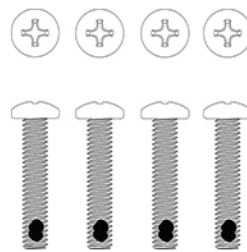
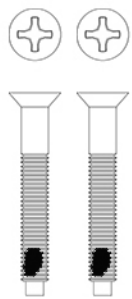
DEADBOLT
ARMOR STRIKE



DEADBOLT
FACEPLATE



SCREW PACK FOR FACEPLATE
AND STRIKE INSTALLATION



SCREW PACK FOR LOCK ASSEMBLY

THIS IS AN INTERCONNECT LOCK. INSIDE IS ALWAYS OPEN. DEADBOLT CAN BE EXTENDED FROM INSIDE OR OUTSIDE BY LIFTING LEVER OR USING THUMBTURN ON INSIDE. FROM INSIDE, ROTATING LEVER DOWN WILL RETRACT BOTH BOLTS. FROM OUTSIDE, A USER CODE OR KEYCARD IS NEEDED TO RETRACT BOTH BOLTS.

TOOLS NEEDED FOR LOCK INSTALLATION

PHILLIPS SCREW DRIVER

FLAT HEAD SCREW DRIVER

NOTE:

DO NOT USE A POWER DRILL FOR INSTALLATION OF LOCK - IT CAN DAMAGE LOCK

TOOLS MAY BE NEEDED FOR DOOR PREPARATION

TAPE MEASURE

POWER DRILL (FOR DRILLING HOLES ONLY)

1" AND 2 1/8" DRILL BITS

WOOD CHISEL

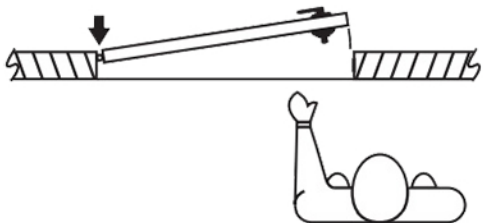
PENCIL

WHEN BATTERIES ARE INSTALLED AND LOCK IS READY TO BE OPERATED, REFER TO PROGRAMMING GUIDE FOR PROGRAMMING INSTRUCTION.

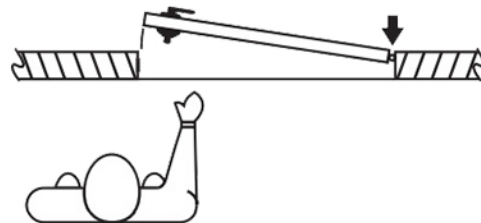
INTERCONNECT LOCK IS HANDED. SEE HANDING INFORMATION BELOW.

HANDING INFORMATION FROM OUTSIDE

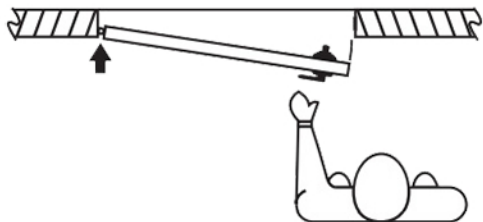
IF HINGES ARE ON THE LEFT,
AND DOOR OPENS INWARD,
IT IS A **LEFT HAND DOOR(LH)**



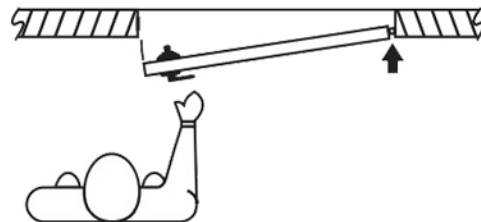
IF HINGES ARE ON THE RIGHT,
AND DOOR OPENS INWARD,
IT IS A **RIGHT HAND DOOR(RH)**



IF HINGES ARE ON THE LEFT,
AND DOOR OPENS OUTWARD,
IT IS A **LEFT HAND REVERSE DOOR(LHR)**

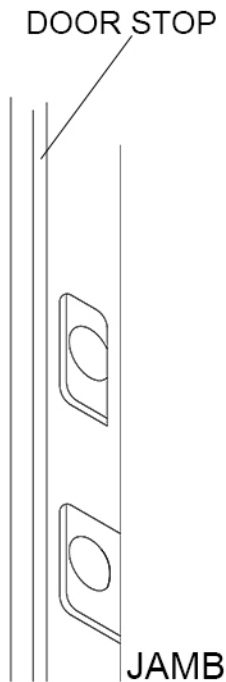
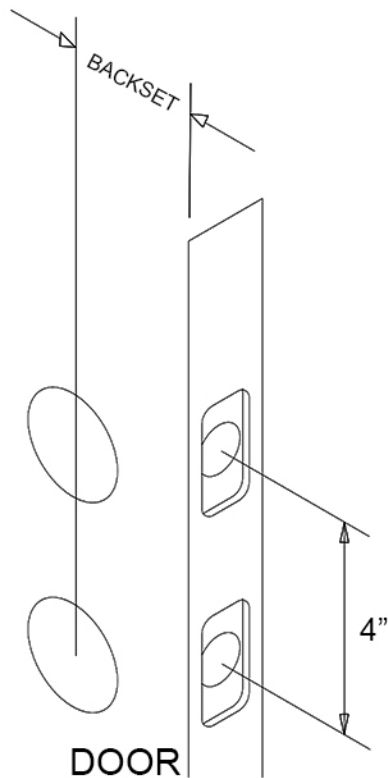


IF HINGES ARE ON THE RIGHT,
AND DOOR OPENS OUTWARD,
IT IS A **RIGHT HAND REVERSE DOOR(RHR)**



IF HANDING NEEDS TO BE CHANGED, SEE **CHANGING HANDING** (PAGE 21).

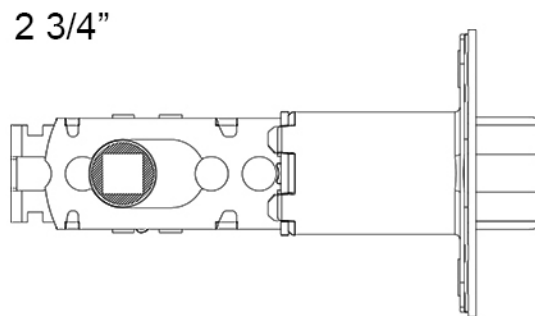
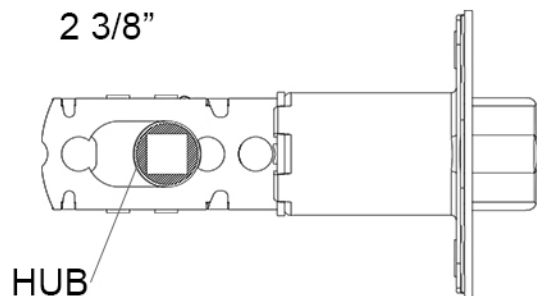
PREPARE DOOR AND JAMB PER TEMPLATE PROVIDED. BACKSET IS ADJUSTABLE FOR 2 3/4" OR 2 3/8". BACKSET IS DIMENSION FROM EDGE OF THE DOOR TO CENTERLINE OF LOCK.



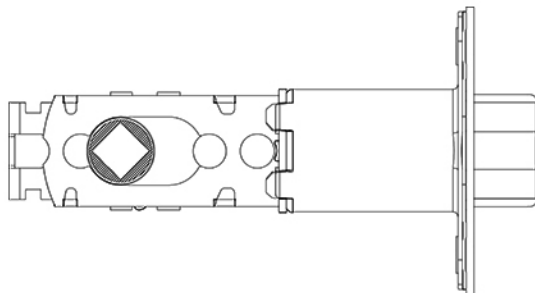
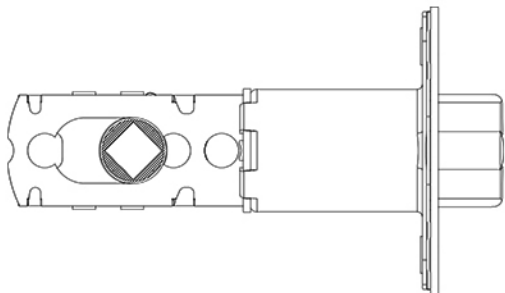
IMPORTANT:

DOOR STOP IS WHERE DOOR WILL STOP WHEN NORMALLY OPERATED. STOP INCLUDES ANY GASKET, SMOKE SEAL, OR BUMPERS. POSITION OF STRIKES ARE TO BE MEASURED FROM WHERE DOOR ACTUALLY STOPS. DEADBOLT, WHEN THROWN, CANNOT HAVE ANY INTERFERENCE WITH DEADBOLT STRIKE. IF THERE IS ANY INTERFERENCE, STRIKES NEED TO BE ADJUSTED FOR LOCK TO WORK PROPERLY.

ADJUST LATCH BOLT BY ADJUSTING HUB.

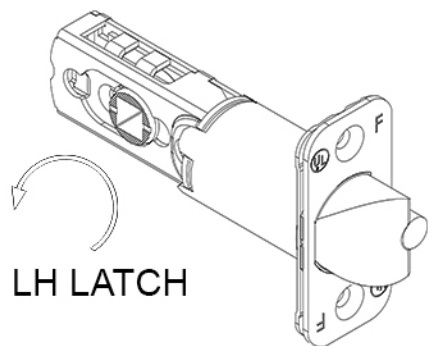


TO ADJUST FROM 2 3/8" TO 2 3/4", ROTATE HUB ON THE DIAGONAL AS SHOWN BELOW. PULL HUB TO THE LEFT. PUSH HUB TO THE RIGHT TO GO BACK TO 2 3/8".

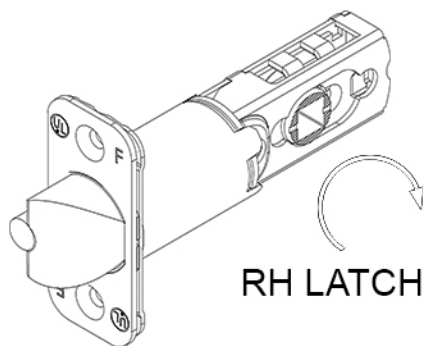


STEP 2

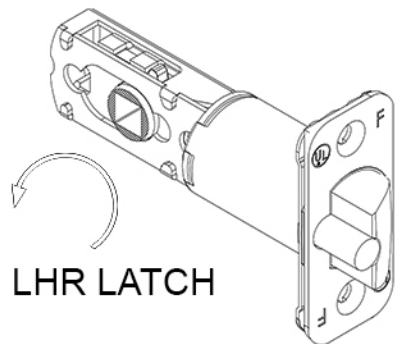
AFTER SETTING BACKSET, LATCH BOLT NEEDS TO BE HANDED FOR LH, RH, LHR, AND RHR DOORS. ROTATE HUB AS SPECIFIED.



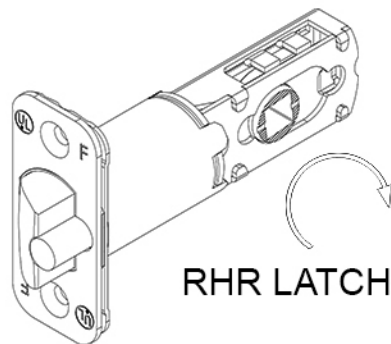
LH LATCH



RH LATCH

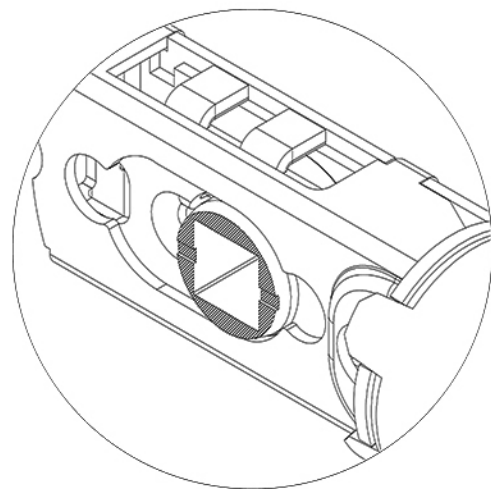


LHR LATCH

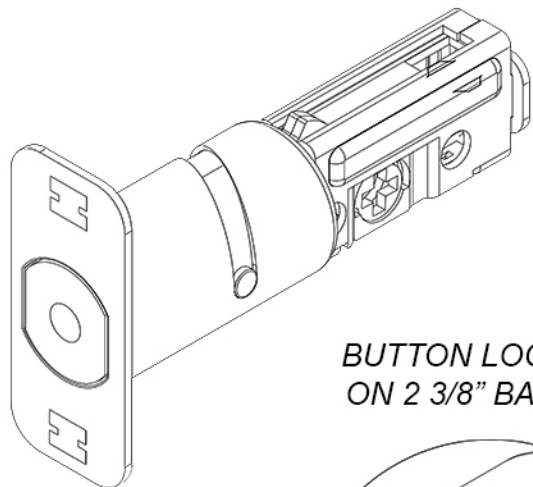


RHR LATCH

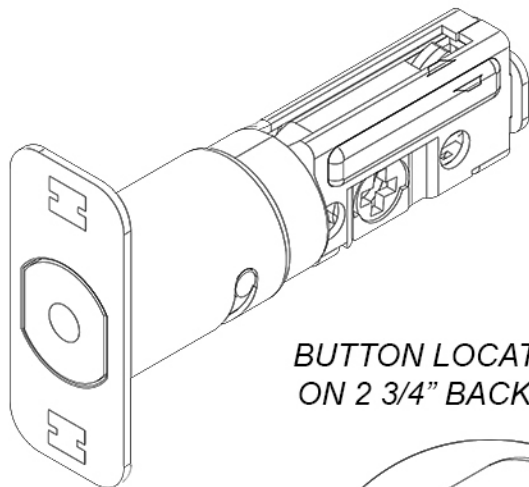
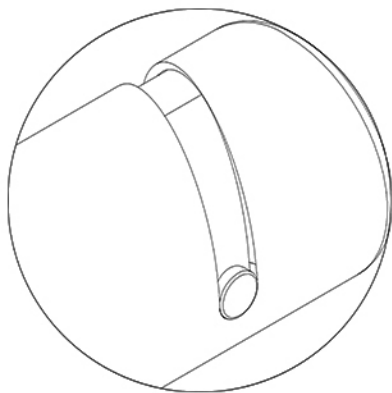
HUB POSITION AFTER ROTATION



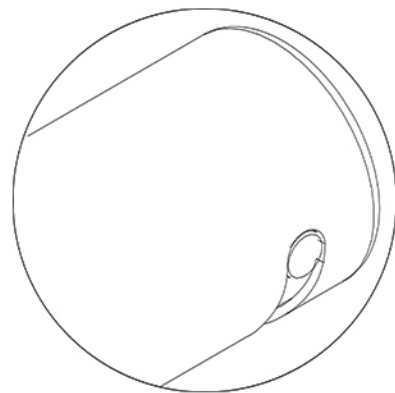
ADJUST DEADBOLT BACKSET BY TWISTING.



*BUTTON LOCATION
ON 2 3/8" BACKSET*

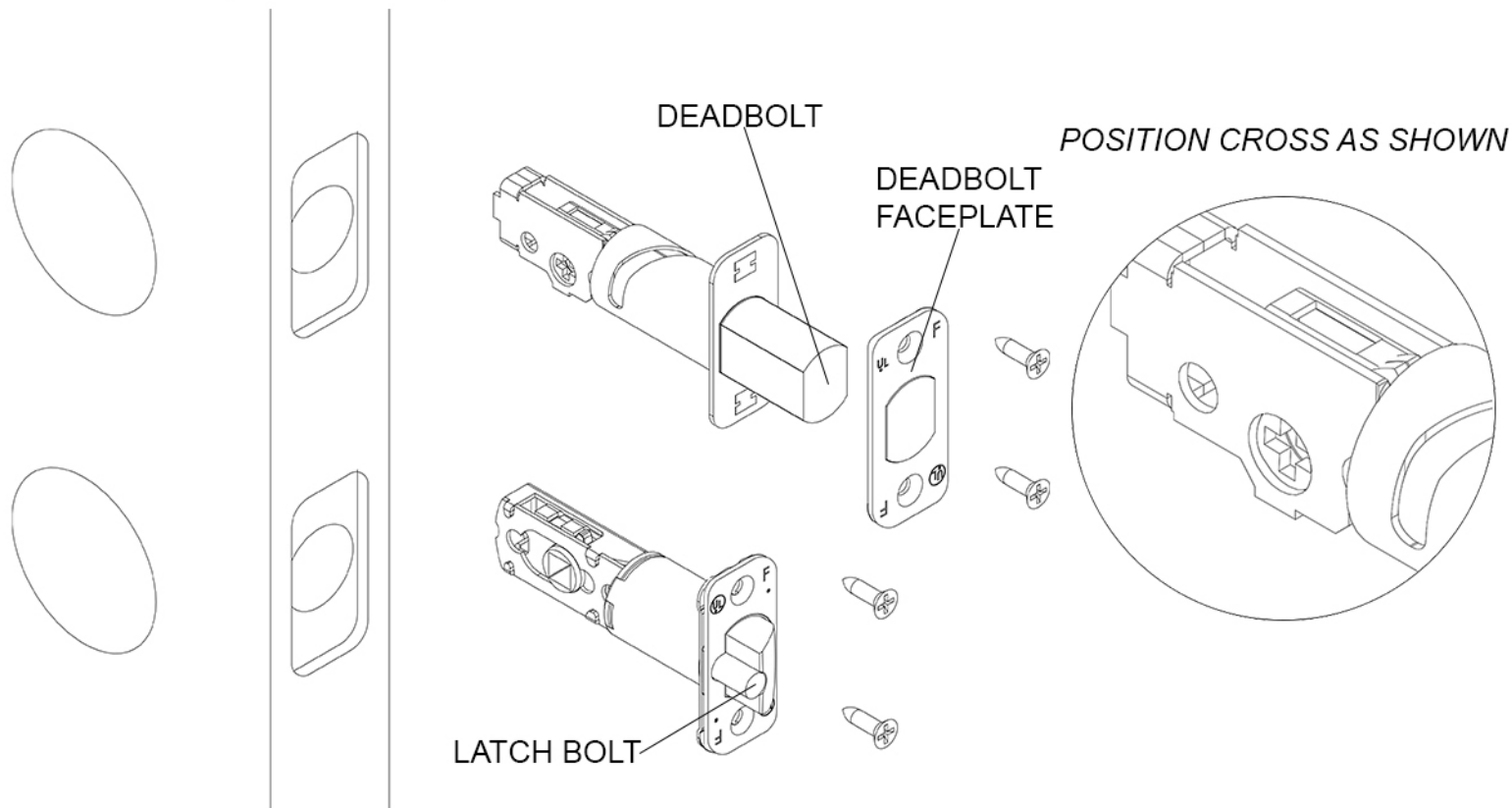


*BUTTON LOCATION
ON 2 3/4" BACKSET*



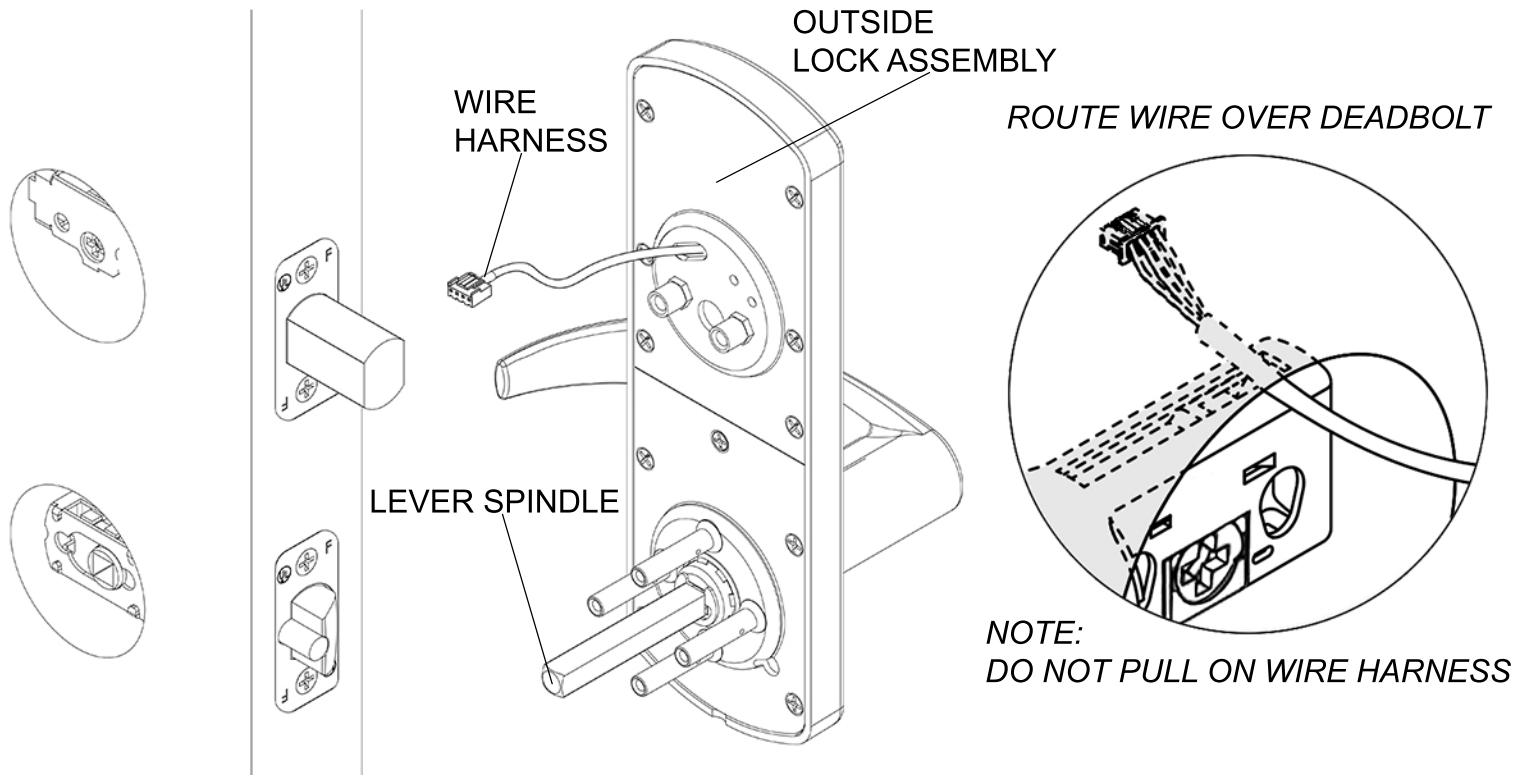
STEP 4

EXTEND DEADBOLT. INSTALL DEADBOLT, DEADBOLT FACEPLATE, AND LATCH BOLT AS SHOWN (RH SHOWN). SECURE WITH 4 SCREWS.



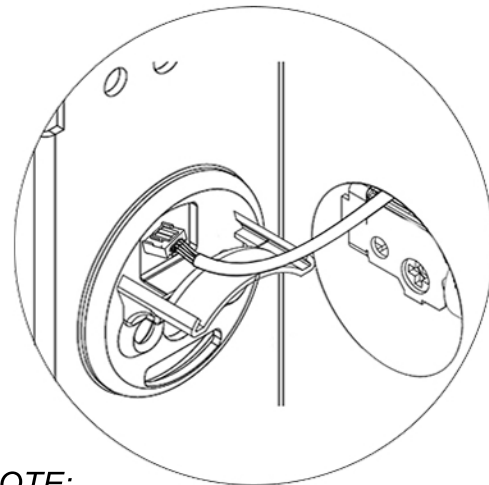
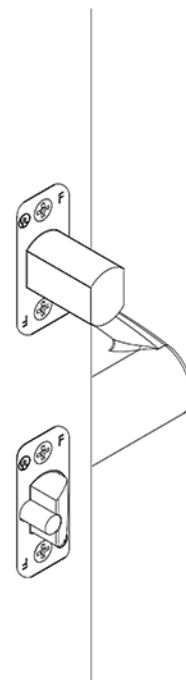
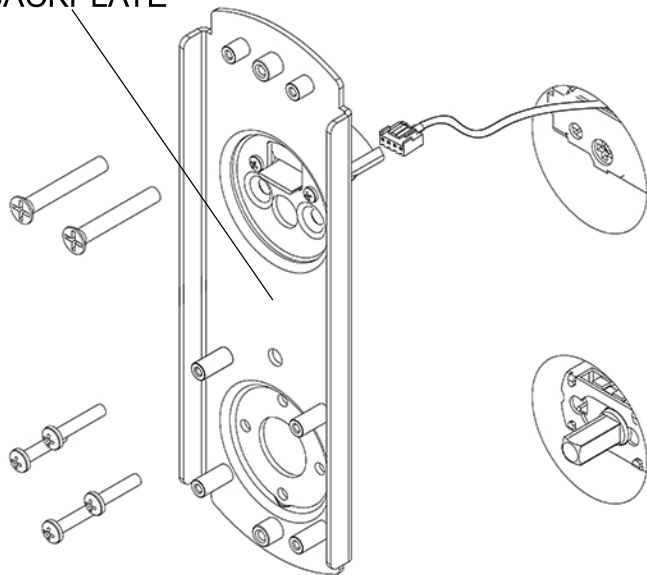
STEP 5

ALIGN OUTSIDE LOCK ASSEMBLY AND INSTALL ONTO DOOR FACE. LEVER SPINDLE GOES THROUGH LATCH HUB. CAREFULLY GUIDE WIRE HARNESS THROUGH AND OVER DEADBOLT HOUSING.



ALIGN BACKPLATE AND INSTALL ON DOOR. GUIDE WIRE HARNESS ABOVE SHELF ON BACKPLATE AND DOWN THROUGH SLOT. SECURE TOP OF BACKPLATE WITH 2 SCREWS THAT GO THROUGH DEADBOLT HOUSING - DO NOT TIGHTEN UNTIL ALL SCREWS ON BACKPLATE ARE INSTALLED. SECURE BOTTOM OF BACKPLATE WITH 4 SCREWS. TIGHTEN ALL SCREWS ON BACKPLATE.

BACKPLATE



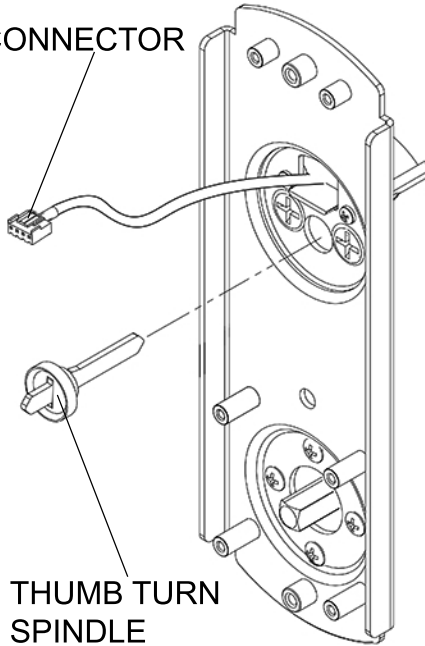
NOTE:
DO NOT PULL ON WIRE HARNESS

STEP 7

INSTALL THUMB TURN SPINDLE AS SHOWN. PLUG IN CONNECTOR FROM LOCK ASSEMBLY INTO PLUG ON BACK OF BATTERY TRAY.

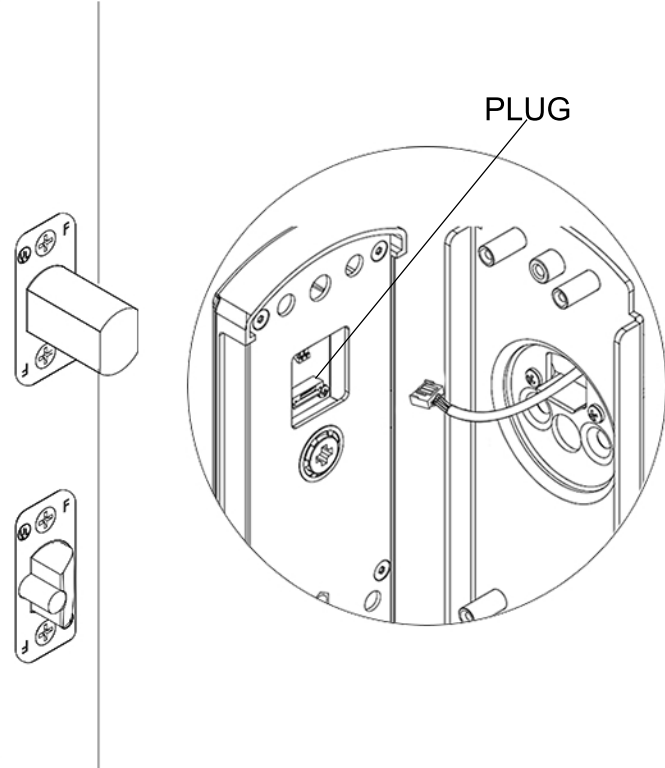
BATTERY TRAY

CONNECTOR



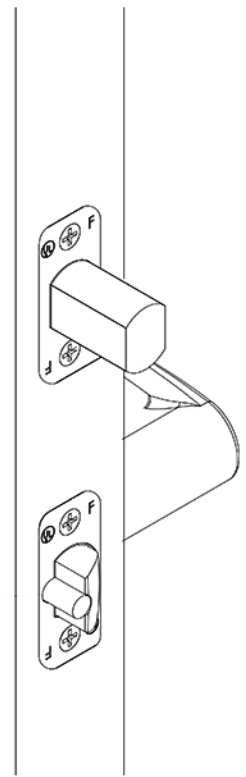
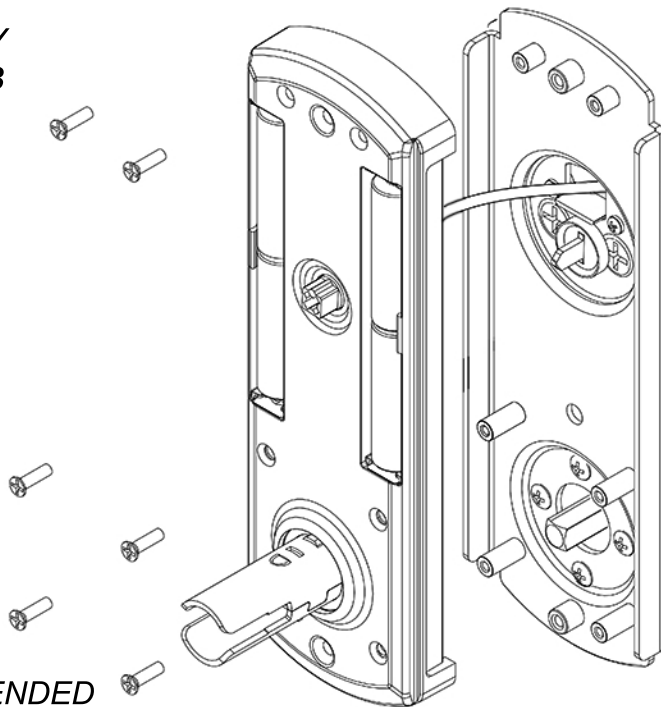
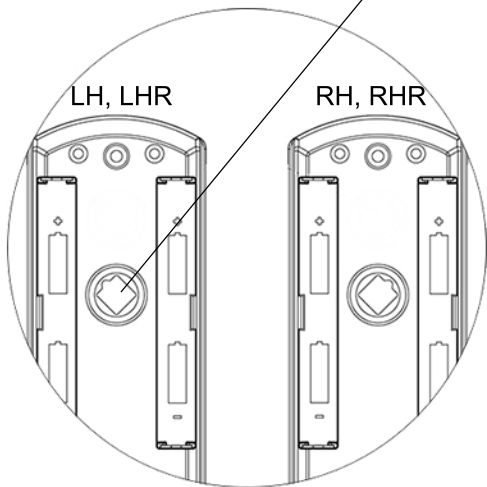
THUMB TURN SPINDLE

PLUG



SET HANDING ON BATTERY TRAY. PUSH EXCESS WIRE INTO HOLE AND INSTALL OVER BACKPLATE. BATTERY TRAY SHOULD SIT FLUSH WITHOUT INTERFERENCE. DO NOT PINCH WIRE HARNESS. SECURE BATTERY TRAY WITH 6 SCREWS.

SET HANDING ON BATTERY TRAY BY ORIENTATION OF **THUMB TURN HUB**

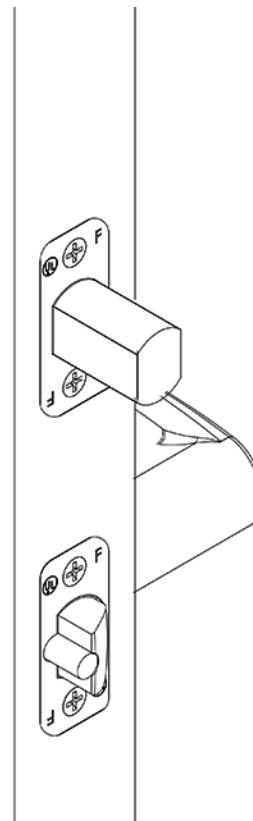


NOTE: CONFIRM DEADBOLT IS EXTENDED AND THUMB TURN SPINDLE IS INSTALLED

STEP 9

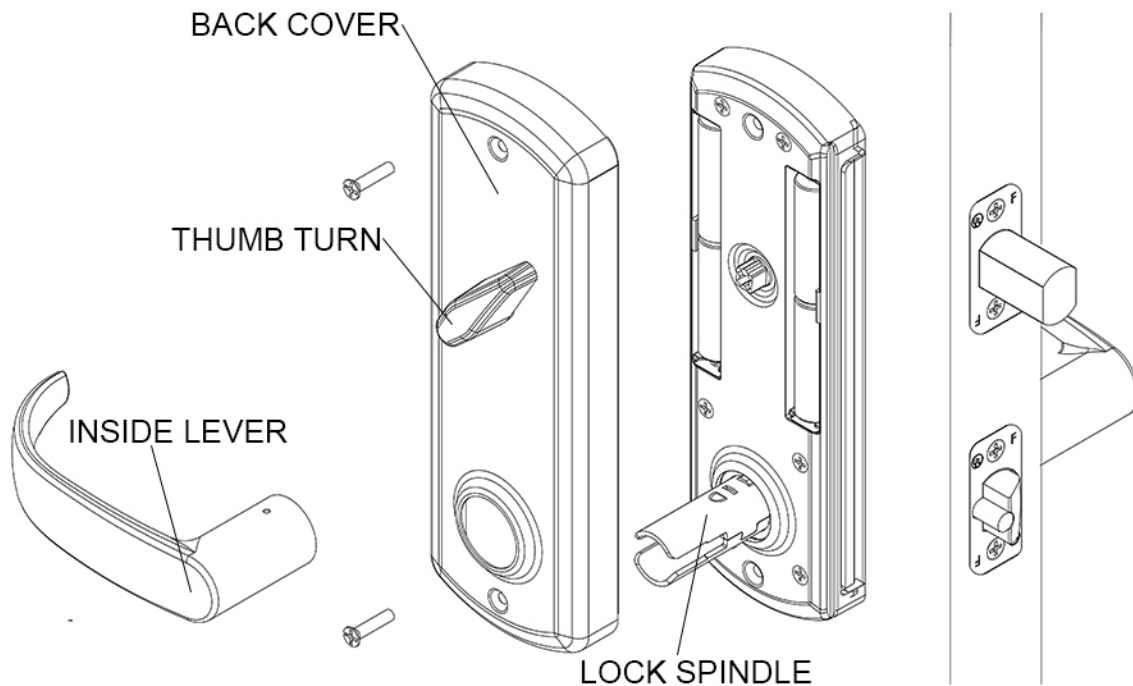
INSTALL 4 AA ALKALINE BATTERIES INTO BATTERY TRAY. USE ONLY ALKALINE BATTERIES FOR INTERCONNECT LOCK.

WHEN BATTERIES ARE INSTALLED, YOU WILL HEAR MOTOR MOVE, SEE THE LED LIGHT UP, AND HEAR A QUICK SERIES OF BEEPS.

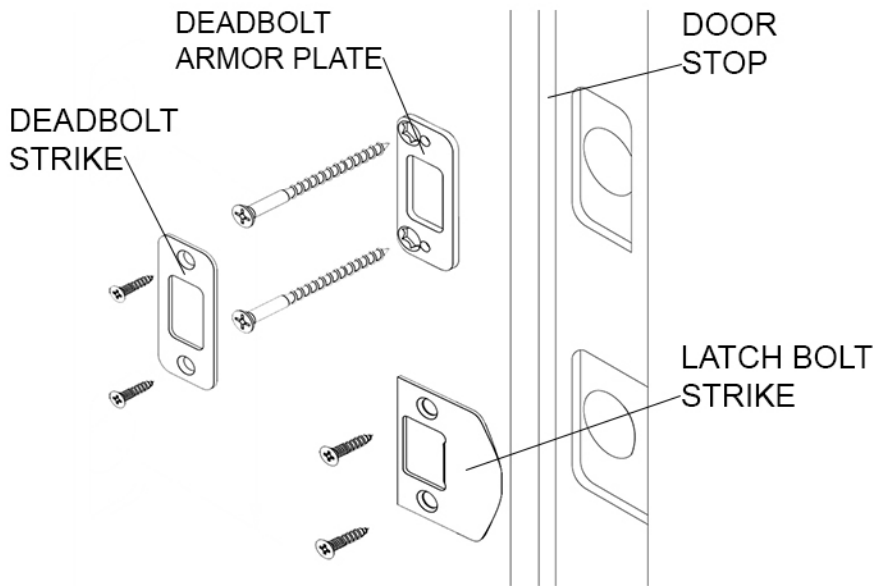


STEP 10

PLACE BACK COVER OVER BATTERY TRAY. MAKE SURE THUMB TURN ON BACK COVER IS ORIENTED PROPERLY. ROTATE THUMB TURN UNTIL IT FALLS INTO PLACE - DO NOT FORCE IT. SECURE BACK COVER WITH 2 SCREWS. SLIDE INSIDE LEVER ONTO LOCK SPINDLE. LEVER CATCH IS ON UNDERSIDE OF LEVER AND IT SHOULD SNAP INTO PLACE. PULL LEVER TO MAKE SURE IT IS SECURE.



INSTALL DEADBOLT ARMOR PLATE, DEADBOLT STRIKE, AND LATCH BOLT STRIKE.
SECURE WITH 6 SCREWS.



REMEMBER, DOOR STOP IS WHERE DOOR WILL STOP WHEN NORMALLY OPERATED. STOP INCLUDES ANY GASKET, SMOKE SEAL, OR BUMPERS. POSITION OF STRIKES ARE TO BE MEASURED FROM WHERE DOOR ACTUALLY STOPS. DEADBOLT, WHEN THROWN, CANNOT HAVE ANY INTERFERENCE WITH DEADBOLT STRIKE. IF THERE IS ANY INTERFERENCE, STRIKES NEED TO BE ADJUSTED FOR LOCK TO WORK PROPERLY.

IMPORTANT:

MAKE SURE LOCK OPERATES PROPERLY BEFORE CLOSING DOOR. FROM INSIDE, LIFTING LEVER SHOULD EXTEND DEADBOLT AND ROTATING LEVER DOWN SHOULD RETRACT BOTH BOLTS. FROM OUTSIDE, LIFTING LEVER SHOULD EXTEND DEADBOLT. WAKE UP KEYPAD BY SWIPING ACROSS THE SURFACE AND ENTER 1-2-3-4-5-6-#. THE LED WILL LIGHT RED THEN GREEN. ROTATING LEVER DOWN SHOULD RETRACT BOTH BOLTS.

CHANGING THE HANDING SHOULD NOT BE NEEDED. LOCK IS SHIPPED WITH HANDING SPECIFIED. SEE SHIPPING CONFIRMATION OR BOX FOR DETAILS.

IF HANDING NEEDS TO BE CHANGED FROM RIGHT HAND TO LEFT HAND (OR LEFT HAND TO RIGHT HAND), HANDING MUST BE CHANGED ON OUTSIDE ASSEMBLY. THIS ENTAILS CHANGING A SOCKET HEAD SCREW ON THE BACK OF OUTSIDE ASSEMBLY. ALSO, LATCH BOLT AND LEVERS NEED TO BE ADJUSTED.

SEE:

ADDENDUM D TO CHANGE HANDING ON OUTSIDE ASSEMBLY
ADDENDUM B & C TO REMOVE AND ADJUST LEVERS
STEP 2 TO ADJUST LATCH BOLT

IF HANDING NEEDS TO BE CHANGED FROM RIGHT HAND TO RIGHT HAND REVERSE (OR LEFT HAND TO LEFT HAND REVERSE), ONLY THE LATCH BOLT ORIENTATION NEEDS TO BE CHANGED.

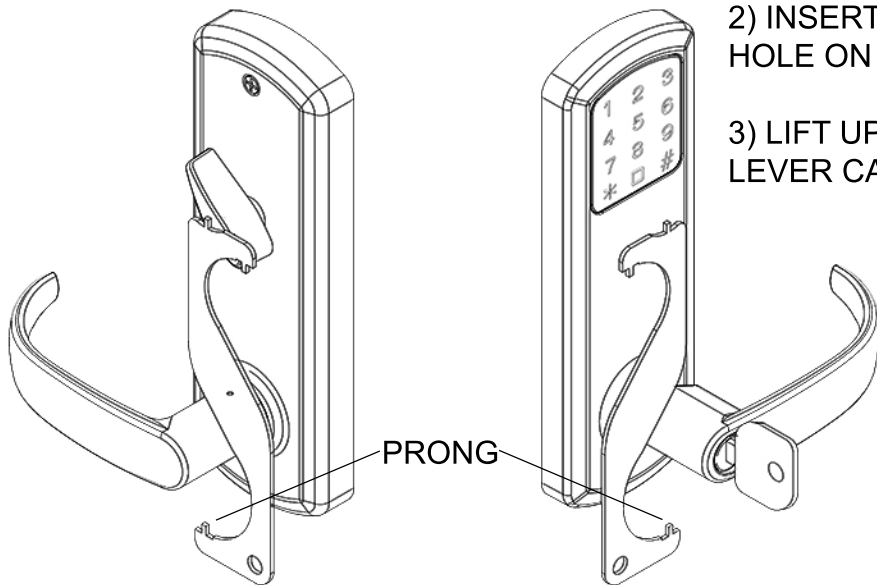
SEE:

STEP 2 TO ADJUST LATCH BOLT

REMOVE INSIDE LEVER

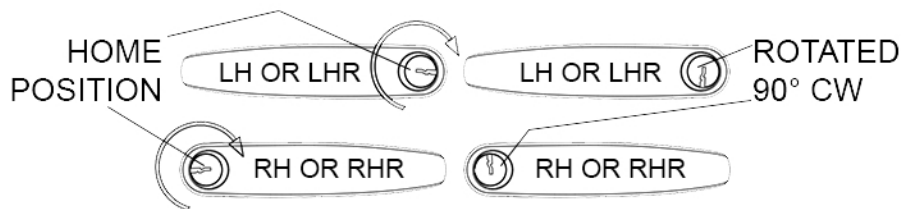
1) INSERT PRONG ON LEVER REMOVAL TOOL IN HOLE ON UNDERSIDE OF LEVER.

2) LIFT UP LEVER REMOVAL TOOL TO DEPRESS LEVER CATCH AND PULL LEVER OFF.



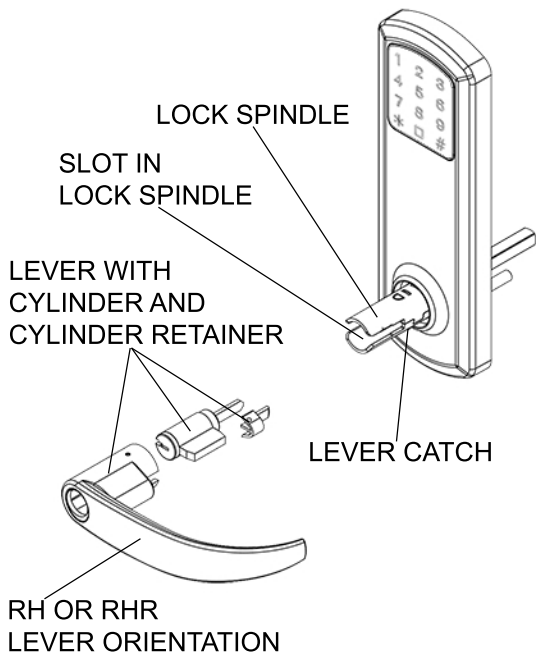
REMOVE OUTSIDE LEVER

1) INSTALL MECHANICAL KEY AND ROTATE IT 90° CLOCKWISE.



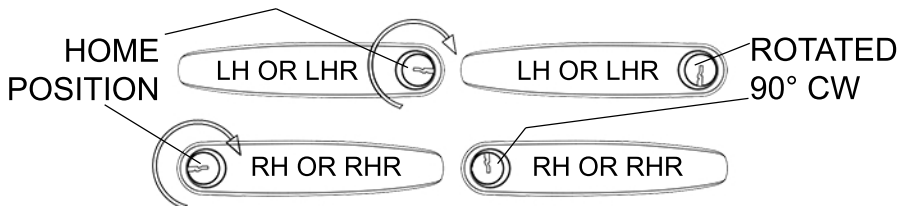
2) INSERT PRONG ON LEVER REMOVAL TOOL IN HOLE ON UNDERSIDE OF LEVER.

3) LIFT UP LEVER REMOVAL TOOL TO DEPRESS LEVER CATCH AND PULL LEVER OFF.



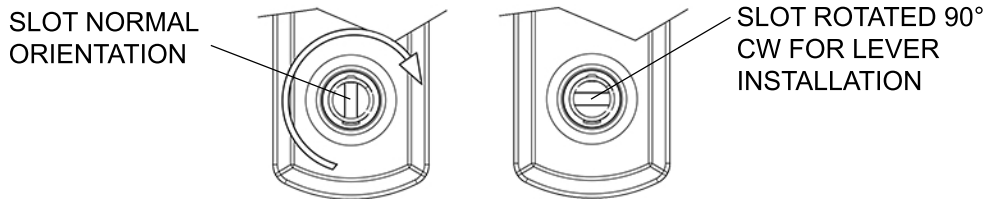
INSTALL OUTSIDE LEVER

1) INSERT KEY AND ROTATE SLOT 90° CLOCKWISE(CW).



**NOTE: LH LEVER AND RH LEVER ORIENTATION*

2) USE A FLAT HEAD SCREW DRIVER TO ROTATE SLOT IN SPINDLE 90° CW ON OUTSIDE ASSEMBLY.

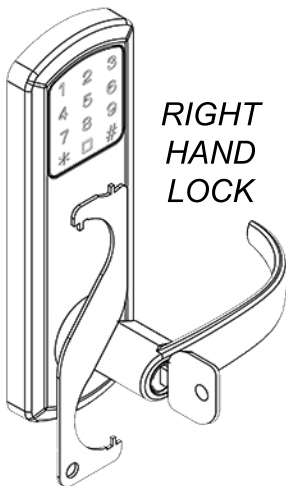


3) WITH KEY INSERTED AND ROTATED 90° CW, PUSH LEVER ONTO OUTSIDE ASSEMBLY WHILE THE SLOT IS ALSO ROTATED 90° CW. LEVER SHOULD SEAT ON SPINDLE. ROTATE KEYWAY BACK TO HOME POSITION AND PULL OUT KEY. PULL LEVER TO MAKE SURE LEVER IS SECURE.

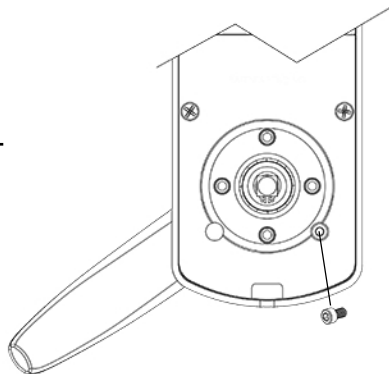
CHANGE HANDING ON OUTSIDE ASSEMBLY

*FOR THIS EXAMPLE,
WE WILL BE CHANGING
THE HANDING FOR
RIGHT HAND LOCK TO
LEFT HAND LOCK.*

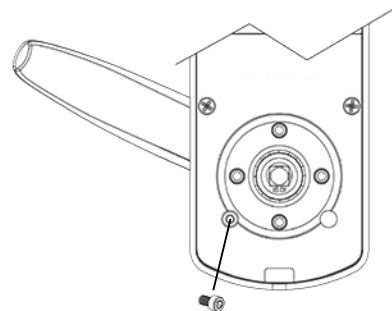
1) REMOVE LOCK ASSEMBLY FROM DOOR.



2) ROTATE LEVER DOWN ON OUTSIDE ASSEMBLY, AND USE A 7/64" HEX WRENCH TO REMOVE SOCKET HEAD SCREW FROM BACK OF OUTSIDE ASSEMBLY.



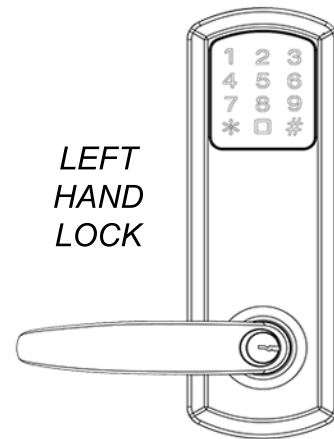
3) TO CHANGE HANDING, ROTATE LEVER UP AND INSTALL SOCKET HEAD SCREW ON THE LEFT SIDE OF LOCK ASSEMBLY.



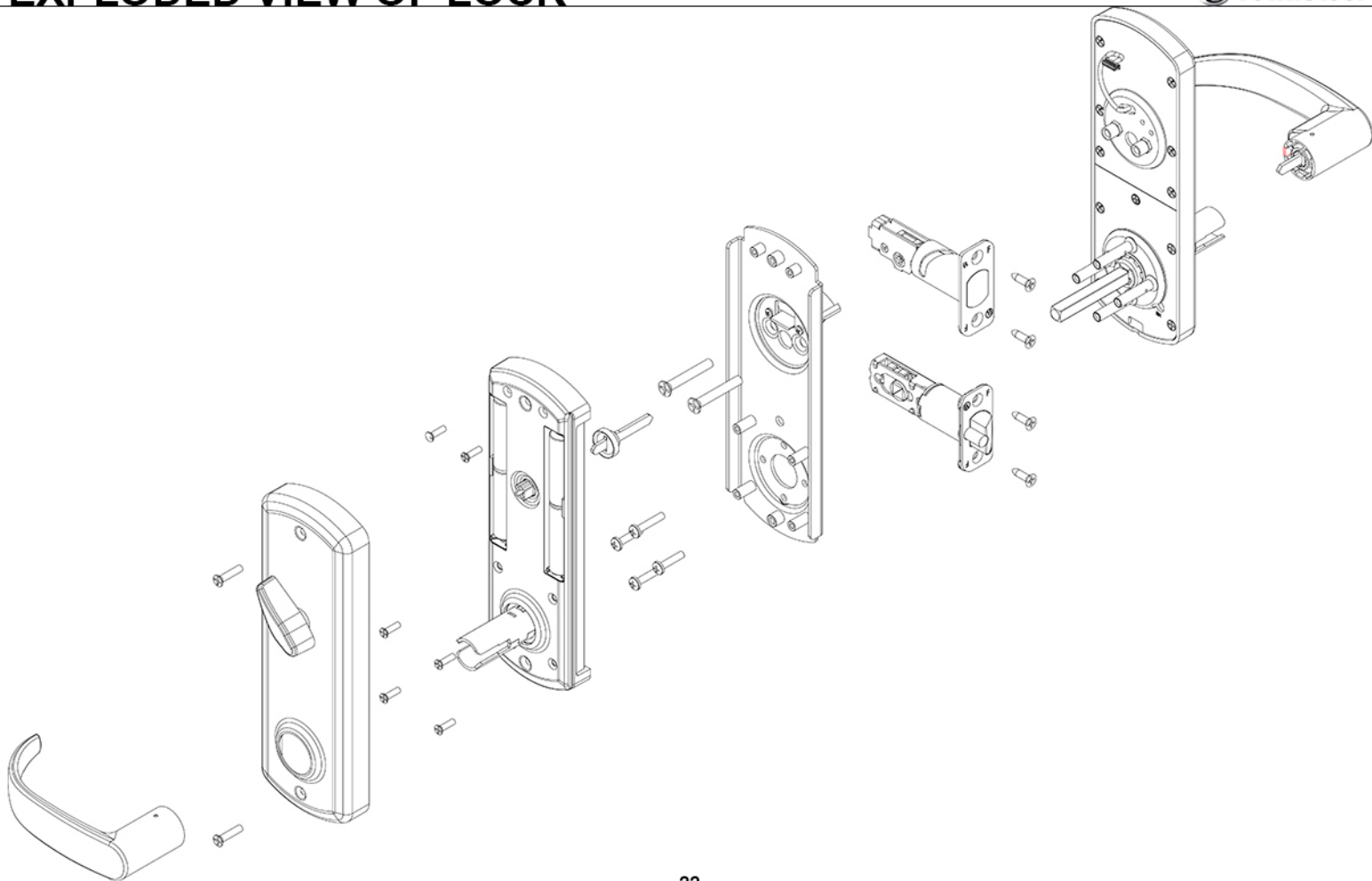
4) RE-INSTALL LOCK ASSEMBLY ON DOOR.

**BE SURE TO CHANGE
LEVER TO NEW HANDING.
SEE **INSTALL OUTSIDE
LEVER** FOR MORE
INFORMATION.*

**LEFT
HAND
LOCK**



EXPLODED VIEW OF LOCK



PROBLEM

KEYPAD DOES NOT LIGHT UP

LATCH BOLT RETRACTS WHEN LEVER IS ROTATED UP, NOT DOWN

ROTATING OUTSIDE LEVER UP WILL NOT EXTEND DEADBOLT

KEY WILL NOT COME OUT OF LEVER AFTER INSTALLATION

OUTSIDE LEVER RETRACTS DEADBOLT AND LATCH BOLT WITHOUT A KEY, USER CODE OR KEY CARD

DEADBOLT BINDS OR DOES NOT FULLY EXTEND

CAUSE

BATTERIES ARE DEAD

KEYPAD IS LOCKED OUT DUE TO X INCORRECT CODES

NOT FULLY PLUGGED IN WIRES OR PINCHED WIRES

HUB ON LATCH BOLT WAS NOT INSTALLED CORRECTLY

DEADBOLT WAS NOT EXTENDED DURING INSTALLATION

KEY CYLINDER WAS NOT INSTALLED CORRECTLY

HANDING ON OUTSIDE ASSEMBLY WAS NOT PROPERLY SET

STRIKES ARE NOT ALIGNED

SOLUTION

REPLACE BATTERIES BY REMOVING BACK COVER

WAIT 60 SECONDS AND TRY AGAIN

CHECK WIRE CONNECTION

TAKE LOCK OFF DOOR, RE-ADJUST LATCH BOLT (SEE STEP 2)

REMOVE INSIDE LEVER, BACK COVER, AND BATTERY TRAY EXTEND DEADBOLT AND RE-INSTALL PARTS (SEE STEP 8)

USE LEVER REMOVAL TOOL TO REMOVE LEVER AND RE-INSTALL CYLINDER CORRECTLY (SEE ADENDUM C)

TAKE LOCK OFF DOOR. ADJUST HANDING ON OUTSIDE ASSEMBLY AND RE-INSTALL PARTS (SEE ADENDUM D)

ADJUST STRIKES (SEE STEP 11)

VISIT WWW.TOWNSTEEL.COM FOR MORE.

17901 RAILROAD STREET
CITY OF INDUSTRY, CA 91748
TOLL FREE: 877-858-0888
TEL: 626-965-8917
FAX: 626-965-8919