



XGA46J

MOBILE ELEVATING WORK PLATFORM

Comply with ANSI/CSA



XGA46J

MOBILE ELEVATING WORK PLATFORM

FEATURES

MEASUREMENTS

16.63 m (54' 7") working height
 Without Limited: 256 kg (564 lb) lift capacity
 Limited: 350 kg (772 lb) lift capacity

PRODUCTIVITY

1.83 m x 0.76 m (6' x 2' 6") steel platform
 4WD
 Solid tire
 Self-leveling platform
 Hydraulic platform rotation
 Fully proportional controls
 Drive enable
 Horn
 Hour meter
 Tilt alarm
 Lift and lower alarm
 355° discontinuous turntable rotation
 Lockable turntable covers
 Zero tailswing
 Engine gauge package
 Alarm package
 Dual flashing beacons

POWER

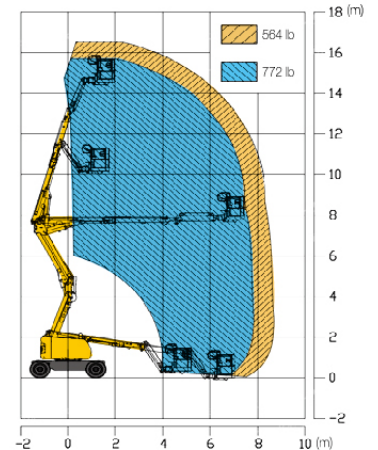
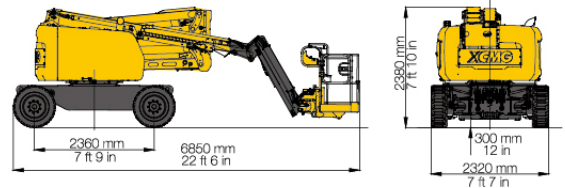
Kubota/Deutz

HIGHLIGHT

- Multi-directional precise positioning up, down and across functions as well as excellent stretch functions.
- Electrical system adopts a distributed PLC control technology, adaptive proportional valve control method, makes the product has leading environment adaptability.
- Full hydraulic drive, turntable 355° discontinuous rotation.
- Compact and flexible, convenient for container transportation.

OPTIONS

- Power supply to platform
- Compressed air line to platform
- Anti-impact bracket for platform
- Rough terrain foam-filled tires



MAIN PARAMETER

Item	Metric	Imperial
Overall dimensions(stowed)	6.85 m x 2.32 m x 2.38 m	22 ft 6 in x 7 ft 7 in x 7 ft 10 in
Overall dimensions(transportation)	5.6 m x 2.32 m x 2.38 m	18 ft 4 in x 7 ft 7 in x 7 ft 10 in
Platform size	1.83 m x 0.76 m x 1.15 m	6 ft x 2 ft 6 in x 3 ft 9 in
Wheelbase	2.36 m	7 ft 9 in
Minimum ground clearance	300 mm	11.8 in
Maximum working height	16.63 m	54 ft 7 in
Maximum platform height	14.63 m	48 ft
Maximum working range	8.82 m	28 ft 11 in
Lift capacity	256 kg(unrestricted)/350 kg(restricted)	564 lb(unrestricted)/772 lb(restricted)
No.1 Boom luffing range	0°~ 65°	0°~ 65°
No.2 Boom luffing range	-11°~ 75°	-11°~ 75°
Jib luffing range	-60°~70°	-60°~70°
Turntable rotation	355° discontinuous rotation	355° discontinuous rotation
Platform rotation	160°	160°
Tailswing	0	0
Maximum drive speed	5.5 km/h	3.4 mph
Minimum turning radius (outside)	4.7 m	15 ft 5 in
Weight	7600 kg	16755 lb
Gradeability	45%	45%
Engine type	Kubota/Deutz	Kubota/Deutz
Engine rated power	36.8 kW/2700 rpm ; 36.4 kW/2700 rpm	49.3 hp/2700 rpm ; 48.8 hp/2700 rpm
Tires	33x12-20/7.5 solid tire ; 315/55D20-18 filled solid tire(option)	33x12-20/7.5 solid tire ; 315/55D20-19 filled solid tire(option)